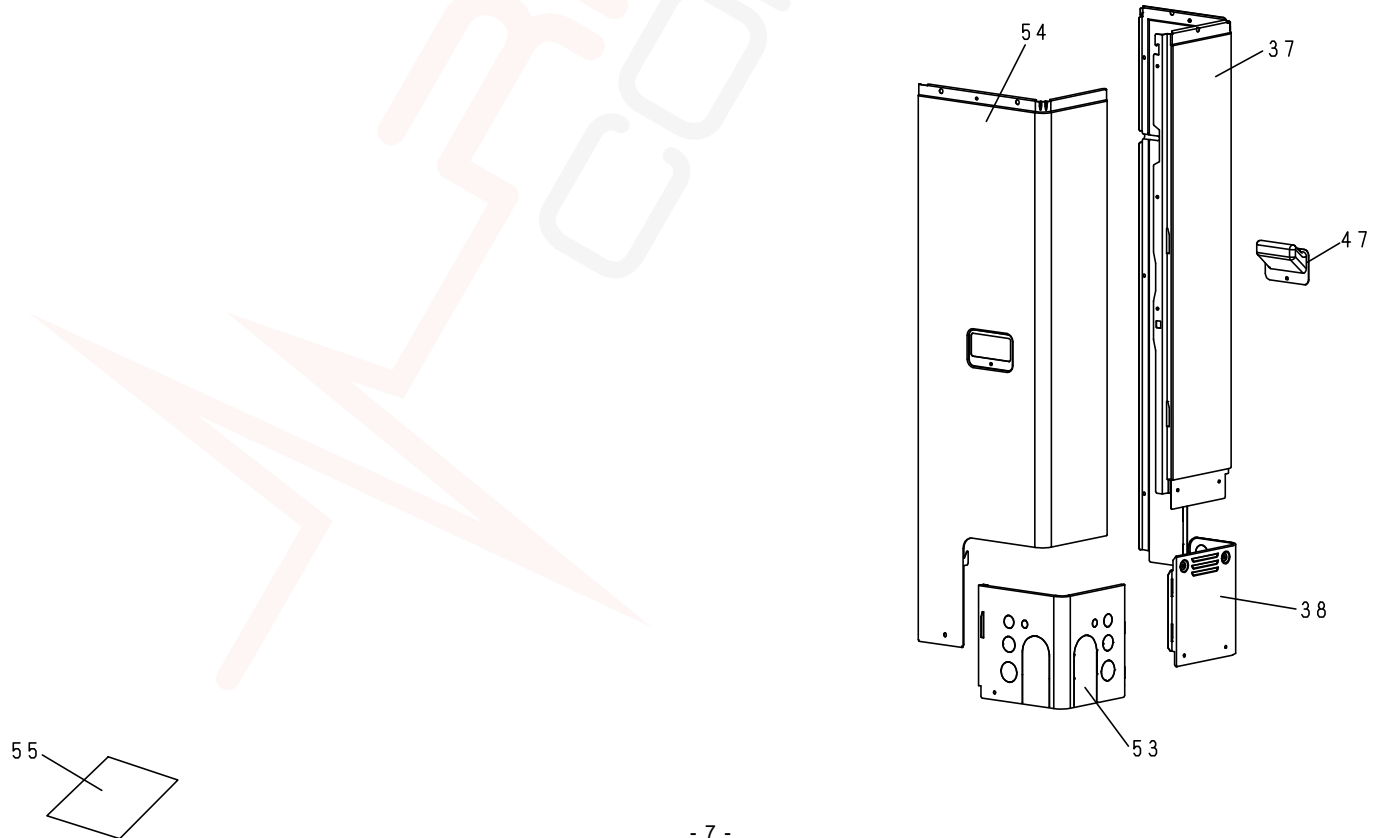
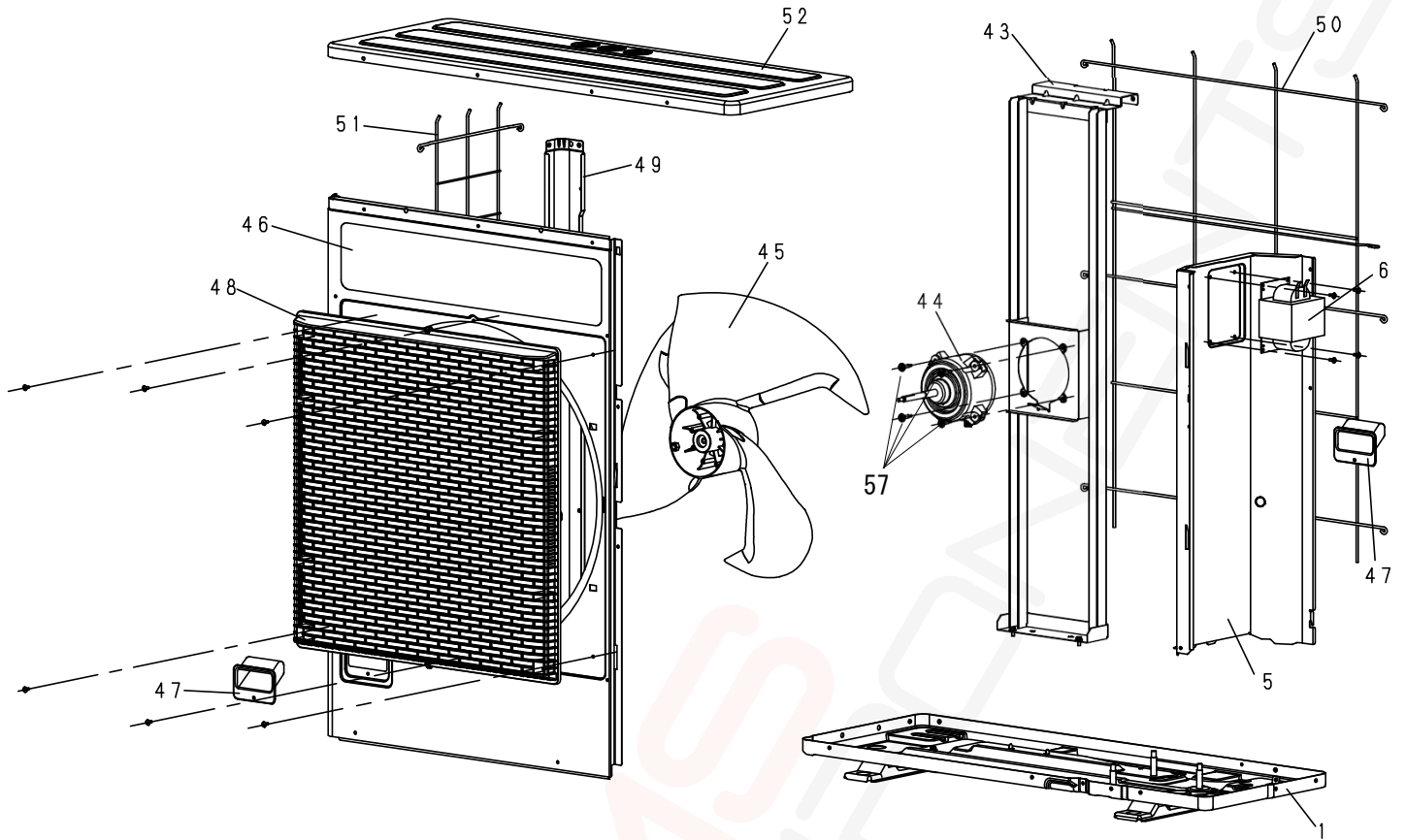
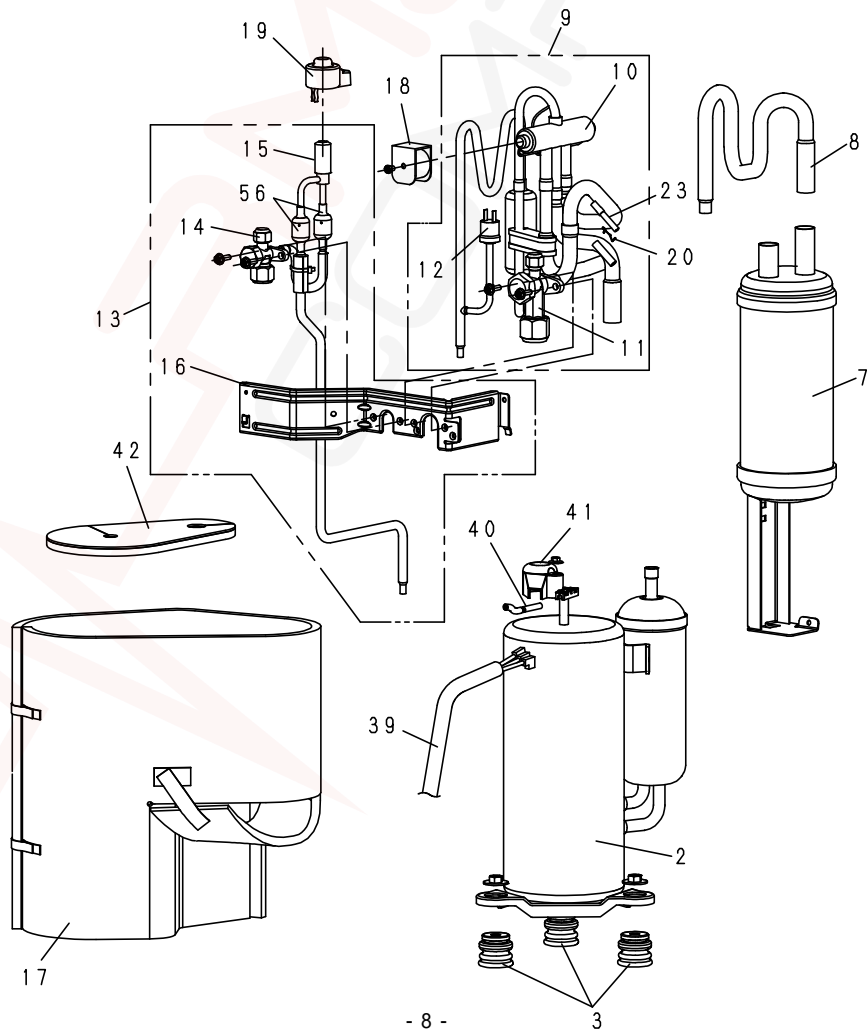
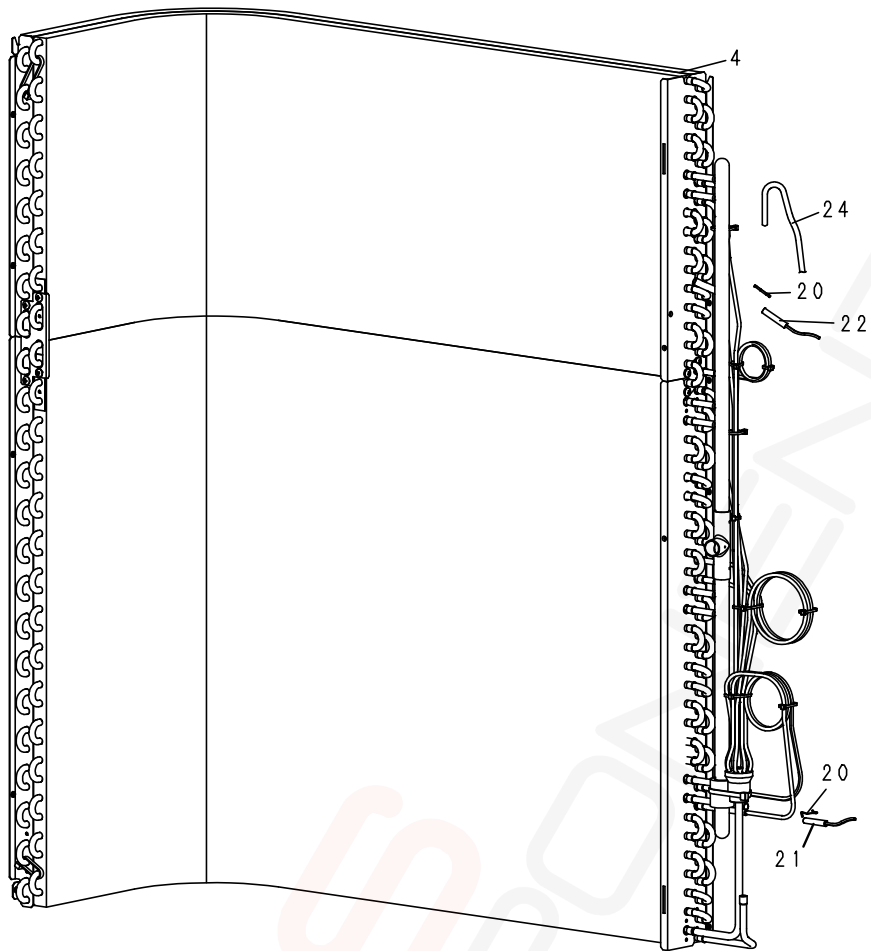


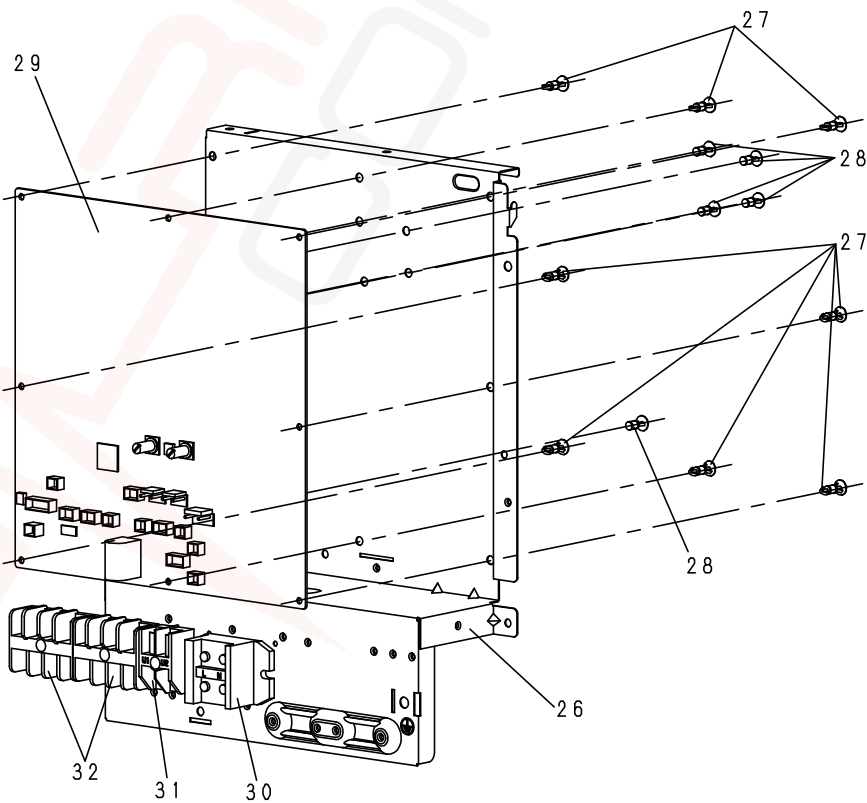
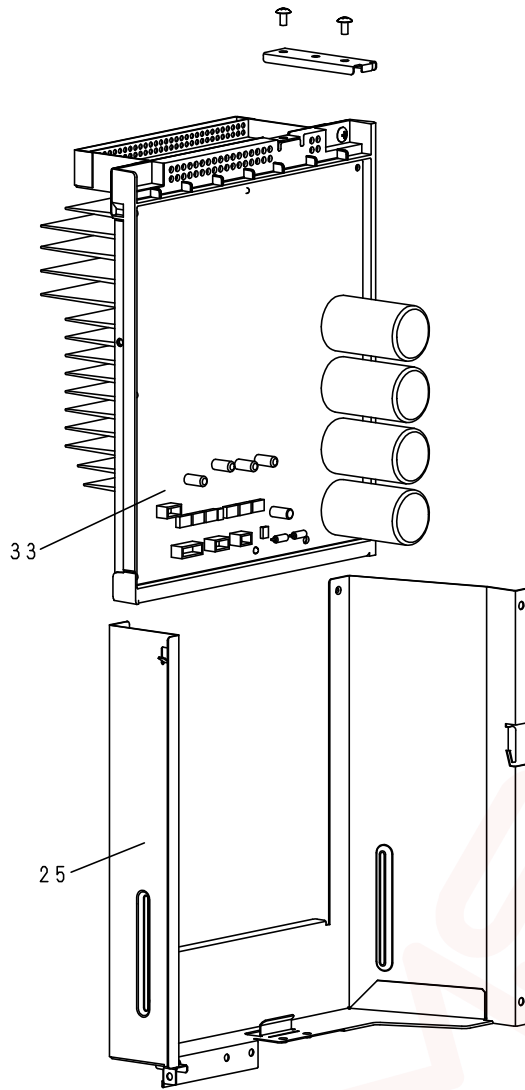
U-60PE1R5A  
U-71PE1R5A



U-60PE1R5A  
U-71PE1R5A



U-60PE1R5A  
U-71PE1R5A



## ATTENTION!

To ensure correct parts supply, please let us know the following.

Part No. when you make service parts order:

1.Part No. 2.Description 3.Q'ty 4.Volts-Hz-Ph 5.Product Model No.

U-60, 71PE1R5A  
OUTDOOR UNIT

No.	PARTS NAME	Part No.	U-60PE1R5A	U-71PE1R5A	Remark
1	BASE PAN ASS'Y	CWD52K1372A	1	1	
2	COMPRESSOR	CWB092612	1	1	○
3	ANTI-VIBRATION BUSHING	CWH50055	3	3	
4	FIN - TUBE CONDENSER COMPLETE	CWB32C3333	1	-	
	FIN - TUBE CONDENSER COMPLETE	CWB32C3255	-	1	
5	SOUND-PROOF BOARD	CWH151293	1	1	
6	REACTOR	G0C432J00006	1	1	○
7	ACCUMLATOR	CWB131059	1	1	
8	MULTIBENT TUBE	CWT339594	1	1	
9	4-WAYS VALVE COMPLETE	CWB00C1081	1	1	
10	4-WAYS VALVE	CWB001026J	1	1	○
11	3-WAYS VALVE	CWB011680	1	1	
12	PRESSURE SWITCH	CWA101013	1	1	○
13	TUBE ASS'Y	CWT028053	1	1	
14	3-WAYS VALVE	CWB011645	1	1	
15	EXPANTION VALVE	CWB051049	1	1	○
16	PARTICULAR PLATE	CWD912436	1	1	
17	SOUND PROOF MATERIAL	CWG302830	1	1	
18	V-COIL 4WAY VALVE	CWA43C2461	1	1	○
19	V-COIL EEV	CWA43C2467	1	1	○
20	PLATE SPRING	CWH711010	3	3	
21	THERMISTOR C1	CWA50C2878	1	1	○
22	THERMISTOR C2	CWA50C2879	1	1	○
23	THERMISTOR T2	CWA50C2880	1	1	○
24	THERMISTOR TO	CWA50C2843	1	1	○
25	CONTROL BOARD	CWH102477	1	1	
26	CONTROL BOARD ASS'Y	CWH10K1155	1	1	
27	SPACER	CWH541066	8	8	
28	SPACER	CWH541067	5	5	
29	PC BOARD W/COMPONENT MAIN	CWA73C8191	1	-	○
	PC BOARD W/COMPONENT MAIN	CWA73C8192	-	1	○
30	TERMINAL BOARD ASS'Y	CWA28K1302	1	1	○
31	TERMINAL BOARD ASS'Y	CWA28K1267	1	1	○
32	TERMINAL BOARD ASS'Y	CWA28K1250	2	2	○
33	PC BOARD W/COMPONENT INVERTER	CWA73C6028	1	1	○
37	CABINET REAR PLATE-COMPLETE	CWE02C1066	1	1	
38	L-SHAPED PLATE	CWD601247A	1	1	
39	LEAD WIRE-COMPLETE	CWA68C0119	1	1	

No.	PARTS NAME	Part No.	U-60PE1R5A	U-71PE1R5A	Remark
40	THERMISTOR DISCHARGE	CWA50C2881	1	1	○
41	TERMINAL COVER	CWH171039	1	1	
42	SOUND PROOF MATERIAL	CWG302670	1	1	
43	FAN MOTOR BRACKET ASS'Y	CWD54K1079	1	1	
44	DC MOTORS(DC 280V 90W)	L6CBYYL0082	1	1	○
45	FAN ASS'Y	CWH03K1075	1	1	
46	CABINET FRONT PLATE	CWE061305A	1	1	
47	HANDLE	CWE161021	1	1	
47	HANDLE	CWE161021	2	2	
48	DISCHARGE GRILLE	CWE201286	1	1	
49	CABINET SIDE PLATE	CWE041614A	1	1	
50	WIRE NET.RESIN NET	CWD041173A	1	1	
51	WIRE NET.RESIN NET	CWD041174A	1	1	
52	CABINET TOP PLATE-COMplete	CWE03C1145	1	1	
53	L-SHAPED PLATE	CWD601248A	1	1	
54	CABINET FRONT PLATE-COMplete	CWE06C1398	1	1	
55	INSTALLATION INSTRUCTION	CWF616412	1	1	
56	STRAINER(DISTRIBUTOR SIDE)	CWB111045	2	2	
57	SCREW	CWH551216J	4	4	

Note:

All parts are supplied from PAPAGZ, China.

“O” marked parts are recommended to be kept in stock.