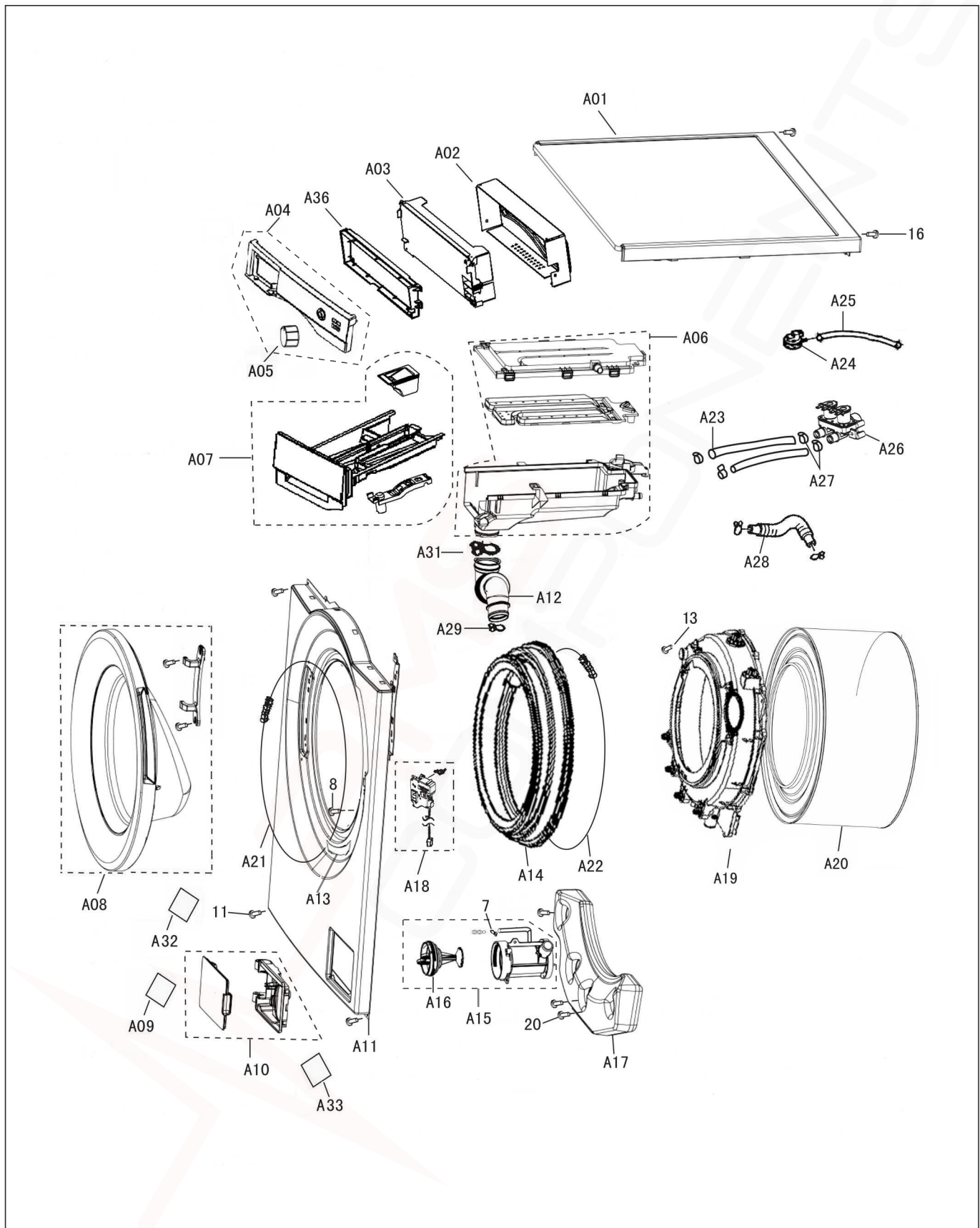


15 LOCATION OF PARTS

LOCATION OF PART - A



REPLACEMENT PARTS LIST-A

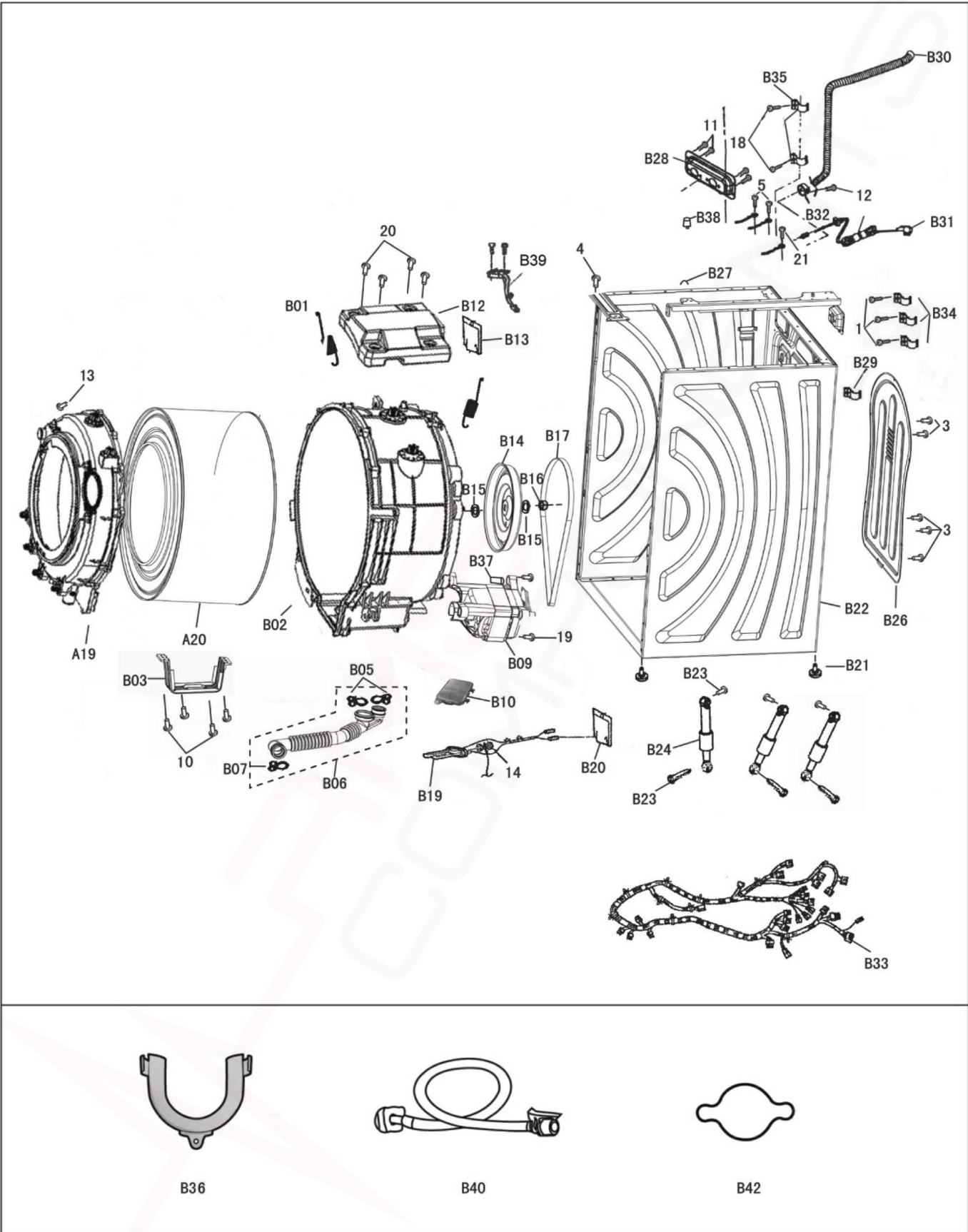
(U):U indicates parts at the remarks that can be replaced by user.

△:Components identified by △Mark have special characteristics important for safety.

When replacing any of these components use only manufacture's specified parts.

Ref.No	Part Name	Part. No	Q' ty	128VG5 (White)	128VG5 (Silver)	Remarks
A01	Top board	AXW11NB8SY0	1	○	×	(U)Malaysia/New Zealand/Australia/Vietnam
		AXW11NC8SY0	1	×	○	Malaysia/Singapore/Vietnam
A02	PC board cover C	AXW542-9BM0	1	○	○	
A03	Control unit	AXW24C-9KZ06	1	○	○	△
A04	Pancl facc board	AXW145WB9KZ0	1	○	×	Malaysia/New Zealand/Australia/Vietnam
		AXW145WC9LA0	1	×	○	Malaysia/Singapore/Vietnam
A05	Course Knob	AXW149D9BM0	1	○	○	Included in A04
A06	Feeding port unit	AXW215W-9BP0	1	○	○	
A07	Detergent case unit	AXW21DB9KZ0	1	○	×	Malaysia/New Zealand/Australia/Vietnam
		AXW21DC9LA0	1	×	○	Malaysia/Singapore/Vietnam
A08	Lid unit	AXW1GD9BM0	1	○	○	(U)
A09	Drain caution label	AXW1101-9KZ0	1	○	○	
A10	Pump lid A	AXW130WB8SY0	1	○	×	Malaysia/New Zealand/Australia/Vietnam
		AXW130WC8SY0	1	×	○	Malaysia/Singapore/Vietnam
A11	Body B Unit	AXW1BB9BP0	1	○	×	Malaysia/New Zealand/Australia/Vietnam
		AXW1BC9BP0	1	×	○	Malaysia/Singapore/Vietnam
A12	Feed hose	AXW1250-9BP0	1	○	○	
A13	Caution label B	AXW9959-7SR0	1	○	○	
A14	Wringer frame packing	AXW212-9BP0	1	○	○	
A15	Drain pump unit	AXW8CW-8SY2	1	○	○	△ Includes A16
A16	Drain pump filter unit	AXW8S-8SY0	1	○	○	
A17	Balancing weight	AXW1231-9BP1	1	○	○	
A18	Lid lock switch	AXW1619-02416	1	○	○	△
A19	Outer tub cover unit	AXW32G-9BP0	1	○	○	
A20	Drum A unit	AXW22B-9BP0	1	○	○	
A21	Body band B	AXW172-8SY1	1	○	○	
A22	Body band B	AXW1Z-9BP0	1	○	○	
A23	Feed hose	AXW1718-8SY0	2	○	○	
A24	Water level detector	AXW24T-03611	1	○	○	△
A25	Air hose A unit	AXW2Q-9BP0	1	○	○	
A26	Feed valve	AXW29A-27106	1	○	○	△
A27	Hose clamp	AXW264-7SR0	4	○	○	
A28	Detergent case A	AXW237-7FH0	1	○	○	
A29	Hose clamp	AXW245-6WJ1	1	○	○	
A31	Hose clamp	AXW245-6ML0	1	○	○	
A32	Energy rating label	AXW9934-9LB0	1	○	×	New Zealand/Australia
		AXW9934-9KX0	1	○	×	Vietnam
		AXW9934-9KY0	1	×	○	Vietnam
A33	Water rating label	AXW9933-9LB0	1	○	×	New Zealand/Australia
		AXW9933-9KW0	1	×	○	Singapore
A36	Control unit A	AXW24S-9KZ06	1	○	○	△

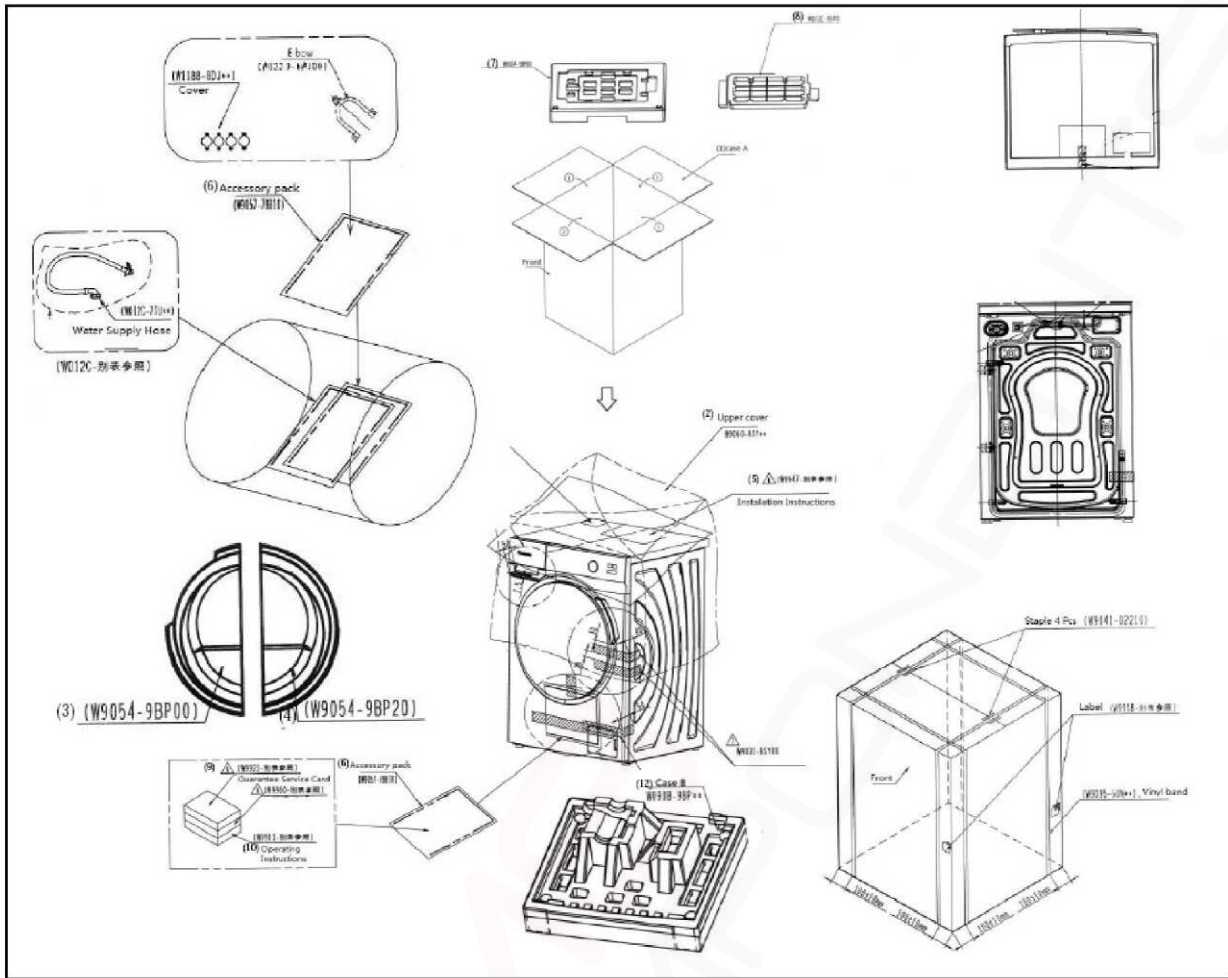
LOCATION OF PART - B



REPLACEMENT PARTS LIST-B

Ref. No	Part Name	Part. No	Q' ty	128VG5 (White)	128VG5 (Silver)	Remarks
B01	Suspension	AXW3441-8SY0	2	○	○	
B02	Outer tub assy	AXW12A-9BP0	1	○	○	
B03	Spinner plate	AXW3232-9BP0	1	○	○	
B05	Hose clamp	AXW245-6WJ1	2	○	○	
B06	Drain hose	AXW231W-9BP2	1	○	○	
B07	Hose clamp	AXW245-6WJ0	1	○	○	
B09	Motor	AXW401-9BM06	1	○	○	△
B10	Waterproof box	AXW1238-9BP0	1	○	○	L
		AXW1238-9BP1	1	○	○	R
B12	Balancing weight	AXW1231-9BP0	1	○	○	
B13	Chemial cover	AXW448-7SR0	1	○	○	
B14	Belt wheel unit	AXW5F-8SY0	1	○	○	
B15	Gasket	AXW518-BSY0	2	○	○	
B16	Nut	XNHAXW1601J	1	○	○	
B17	Belt	AXW412-8RZ0	1	○	○	(U)
B19	Heater unit	AXW13C-8SY1	1	○	○	△
B20	Chemial cover	AXW448-7KU0	1	○	○	
B21	Adjustable leg unit	AXW3I-8SY0	4	○	○	
B22	Body unit	AXW101WB9BP0	1	○	×	Malaysia/New Zealand/Australia/Vietnam
		AXW101WC9BP0	1	×	○	Malaysia/Singapore/Vietnam
B23	Pin	AXW334-8SY0	6	○	○	
B24	Damper spring	AXW2331-8LE1	3	○	○	
B26	Back panel	AXW156-9BP0	1	○	○	
B27	Slide coil	AXW3440-6UN1	2	○	○	
B28	Feed valve box	AXW2901B8SY0	1	○	×	Malaysia/New Zealand/Australia/Vietnam
		AXW2901C8SY0	1	×	○	Malaysia/Singapore/Vietnam
B29	Hose support	AXW135-7FH0	1	○	○	
B30	Drainning hose unit	AXW2EA8SY0	1	○	○	
B31	Power cord	AXW4A-79405	1	○	○	△ Malaysia/Singapore/Vietnam
		AXW4A-75601	1	○	×	△ New Zealand/Australia
B32	Drain hose support	AXW170A7FH0	1	○	○	
B33	Lead wire unit	AXW14A-9KZ0	1	○	○	△
B34	Draining hose holder	AXW120A7FH1	3	○	○	Outside
B35	Draining hose holder	AXW120A7FH2	2	○	○	Inside
B36	Elbow	AXW229-6WJ0	1	○	○	(U)
B37	Rubber gasket A	AXW420-8DJ3	2	○	○	
B38	Noise Fliter	AXW2430-043	1	○	○	△
B39	3D sensor	AXW24N-8CW0	1	○	○	△
B40	Water supply hose	AXW12C-7TU0	1	○	○	(U)
B42	Cover cap	AXW1188-8DJ0	4	○	○	(U)

PACKING INSTRUCTIONS



Ref. No	Part Name	Part. No	Q'ty	128VG5 (White)	128VG5 (Silver)	Remarks
1	Case A	AXW9001-9KZ0	1	○	×	Malaysia/New Zealand/Australia/Vietnam
		AXW9001-9LA0	1	×	○	Malaysia/Singapore/Vietnam
2	Upper cover	AXW9060-8SY0	1	○	○	
3	Drum supporter	AXW9054-9BP00	1	○	○	L
4	Drum supporter	AXW9054-9BP20	1	○	○	R
5	Installation instruction	AXW9947-9KZ0	1	○	○	
6	Accessory pack	AXW9057-7BB1	2	○	○	
7	Body cover	AXW9004-9BM00	1	○	○	
8	Bottom plate	AXW3E-9BP0	1	○	○	(U)
9	Guarantee service card	AXW9923-9KZ0	1	○	×	Malaysia
		AXW9923-9LA0	1	×	○	Malaysia
		AXW9923-9LB0	1	○	×	New Zealand/Australia
		AXW9923-9KX0	1	○	×	Vietnam
		AXW9923-9KY0	1	×	○	Vietnam
10	Operation instruction	AXW9901-9KZ0	1	○	○	Malaysia/Singapore/Vietnam
		AXW9901-9LB0	1	×	○	New Zealand/Australia
11	Upper sheet	AXW9069-6UN0	1	○	○	
12	Case B	AXW90BW-9BP0	1	○	○	

SMALL STANDARDIZED METAL PARTS

Ref. No	Part Name	Part.No	Q' ty	128VG5 (White)	128VG5 (Silver)	Remarks
3	SCREW	XTB4+10FFJ	5	○	○	
4	SCREW	XTB4+12BFJ	5	○	○	
5	SCREW	XYMAXW401	3	○	○	
6	SCREW	XTB4+12GFJ	11	○	○	
7	SCREW	XTB4+16CFJ	3	○	○	
8	SCREW	XTB4+16CXR	1	○	○	
10	SCREW	XTB5+20BFJ	4	○	○	
11	SCREW	XTBAXW437J	39	○	○	
12	SCREW	XTBAXW462J	15	○	○	
13	SCREW	XTBAXW6514J	13	○	○	
16	SCREW	XTWAXW466J	5	○	○	
18	SCREW	XTB4+8BFJ	6	○	○	
19	SCREW	XTWAXW6516J	2	○	○	
20	SCREW	XTWAXW6531	8	○	○	
21	SCREW	XYMAXW545	1	○	○	