


13 Exploded View and Replacement Parts List

When ordering replacement part(s), please use part number shown in this parts list.

Note : Important Safety Notice

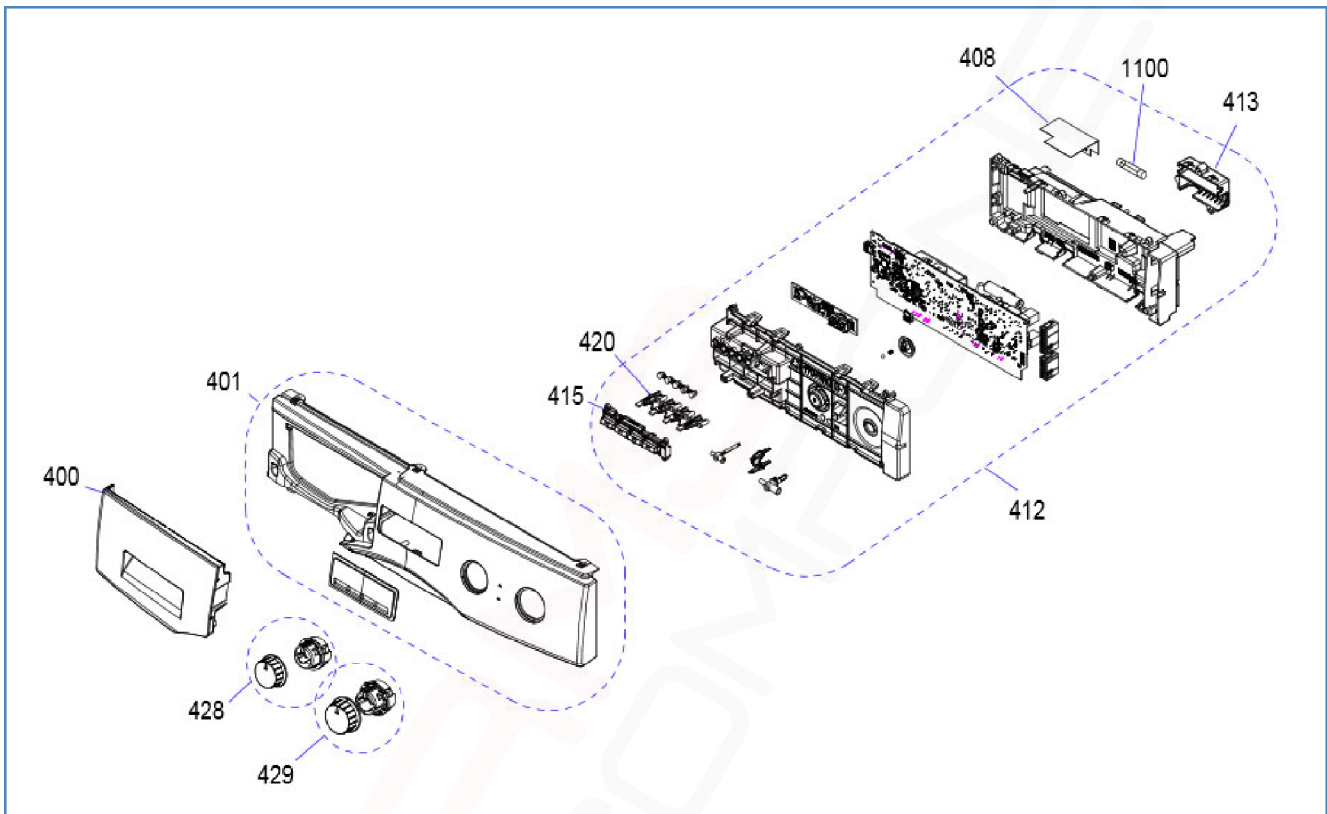
Components identified by  mark have special characteristics important for safety. When replacing any of these components, use only manufacturer's specified parts.

About "U" in the remarks column



"U" indicates parts that can be replaced by user.

13.1. Control Panel Parts

13.1.1. Exploded View Control Panel Parts

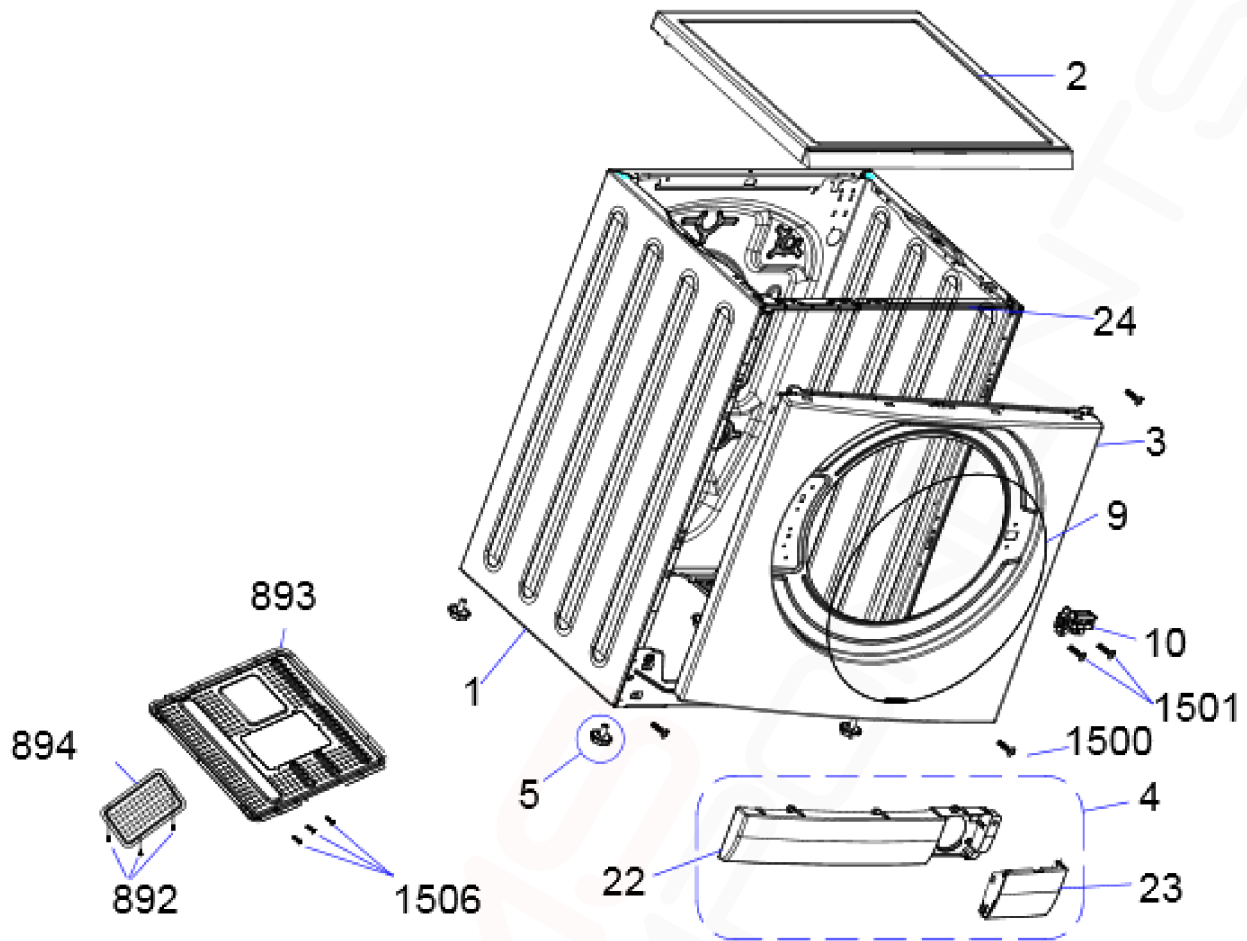


13.1.2. Control Panel Replacement Parts List

Safety	Ref. No.	Part Name & Description	Parts No.	Qty	Remarks
	400	DETERGENT DRAWER COVER	AXWDV-130512	1	NA-127VB3WN1
			AXWDV-130495		NA-127VB3WA1
	401	CONTROL PANEL	AXWCV-130500	1	NA-127VB3WN1
			AXWCV-130494		NA-127VB3WA1
	408	PCB FOIL	AXW1FS-7092	1	
	412	ELECTRONIC CARD GR.	AXW24V-18738	1	
	413	CABLE AND FUSE FOLDER COVER	AXW2CF-55340	1	
	415	SELECTION BUTTONS	AXW146-55331	1	
	420	LIGHT GUIDE QUAD	AXW146-55333	1	
	428	SPIN / HEAT ADJ.KNOB GR.	AXW6C-565960	1	
	429	PROGRAM ADJ.KNOB GR.	AXW6C-565950	1	
	1100	FUSE	AXW1FS-13553	1	20A

13.2. Front Panel Parts

13.2.1. Exploded View Front Panel Parts

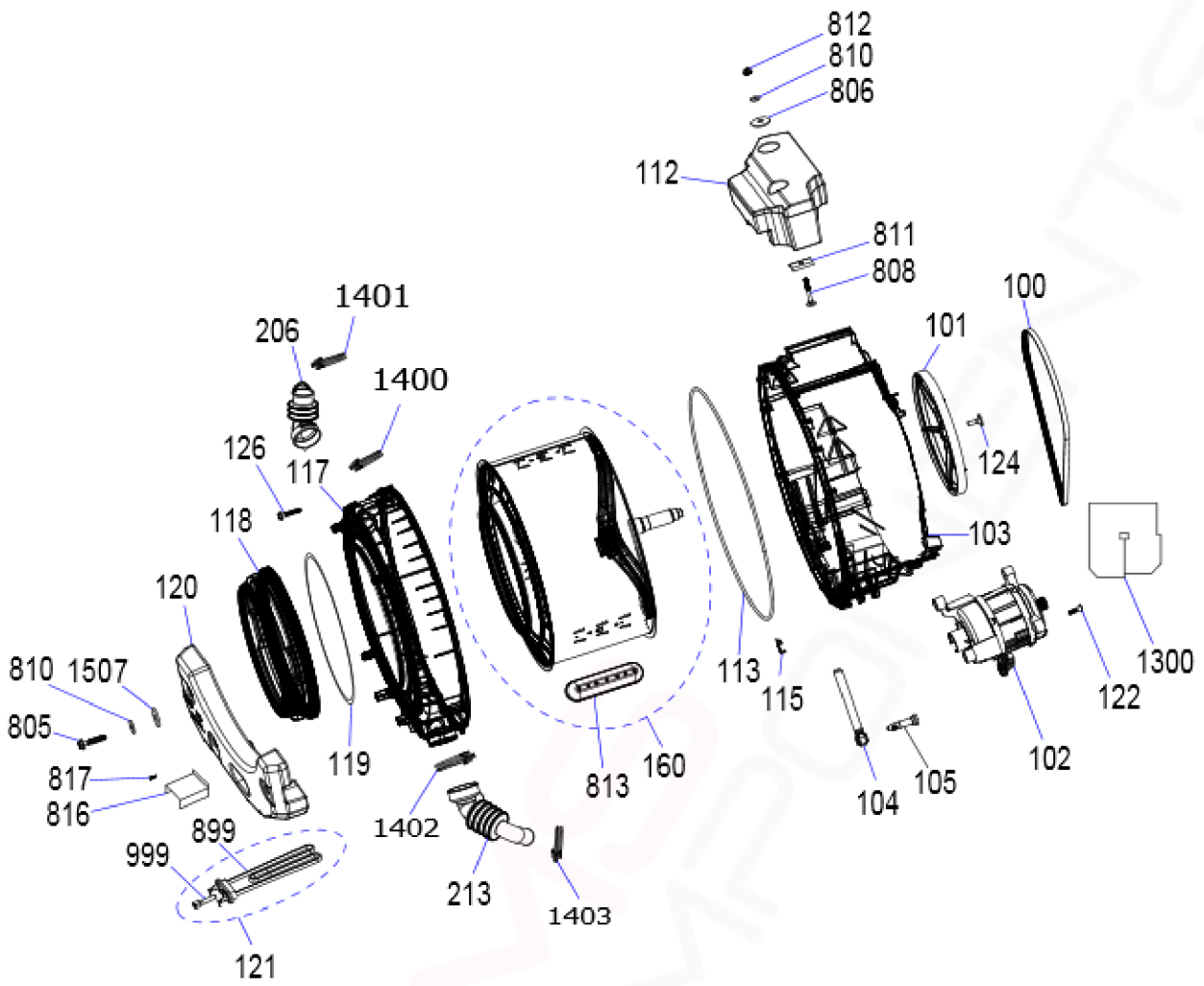


13.2.2. Front Panel Replacement Parts List

Safety	Ref. No.	Part Name & Description	Part No.	Qty	Remarks
	1	BODY GROUP PAINTED	AXW1AB-37787	1	
	2	UPPER TRAY GROUP	AXW11N-07630	1	(U)
	3	FRONT PANEL GROUP	AXW1BB-27922	1	
	4	PLINTH GROUP	AXW22S-23758	1	
	5	ADJUSTABLE FEET GR.	AXW31-008723	4	
	9	HOUSING FRAM BELLOW CLIP-PHT	AXW1Z-023407	1	
⚠	10	DOOR LOCK	AXW1619-4463	1	
	22	PLINTH	AXW130-23756	1	
	23	PLINTH COVER	AXW140-23757	1	(U)
	24	UPPER SUPPORT BRACKET	AXW1US-79357	1	
	1500	ST 4.8X9.5 PAN HE.W COL.TORX	AXWSS7-15098	4	
	1501	ISO 7049 ST 4.2X16	AXWSS6-14455	2	
	1506	SCREW TT M4X8 TSB	AXWSCR-14456	5	
	892	SCREW TT M4X8 PAN HEAD CR	AXWSCR-07417	3	
	893	BOTTOM PLATE	AXWBP-172050	1	
	894	BOTTOM PLATE COVER	AXWBP-172060	1	

13.3. Washing Group Parts

13.3.1. Exploded View Washing Group Parts

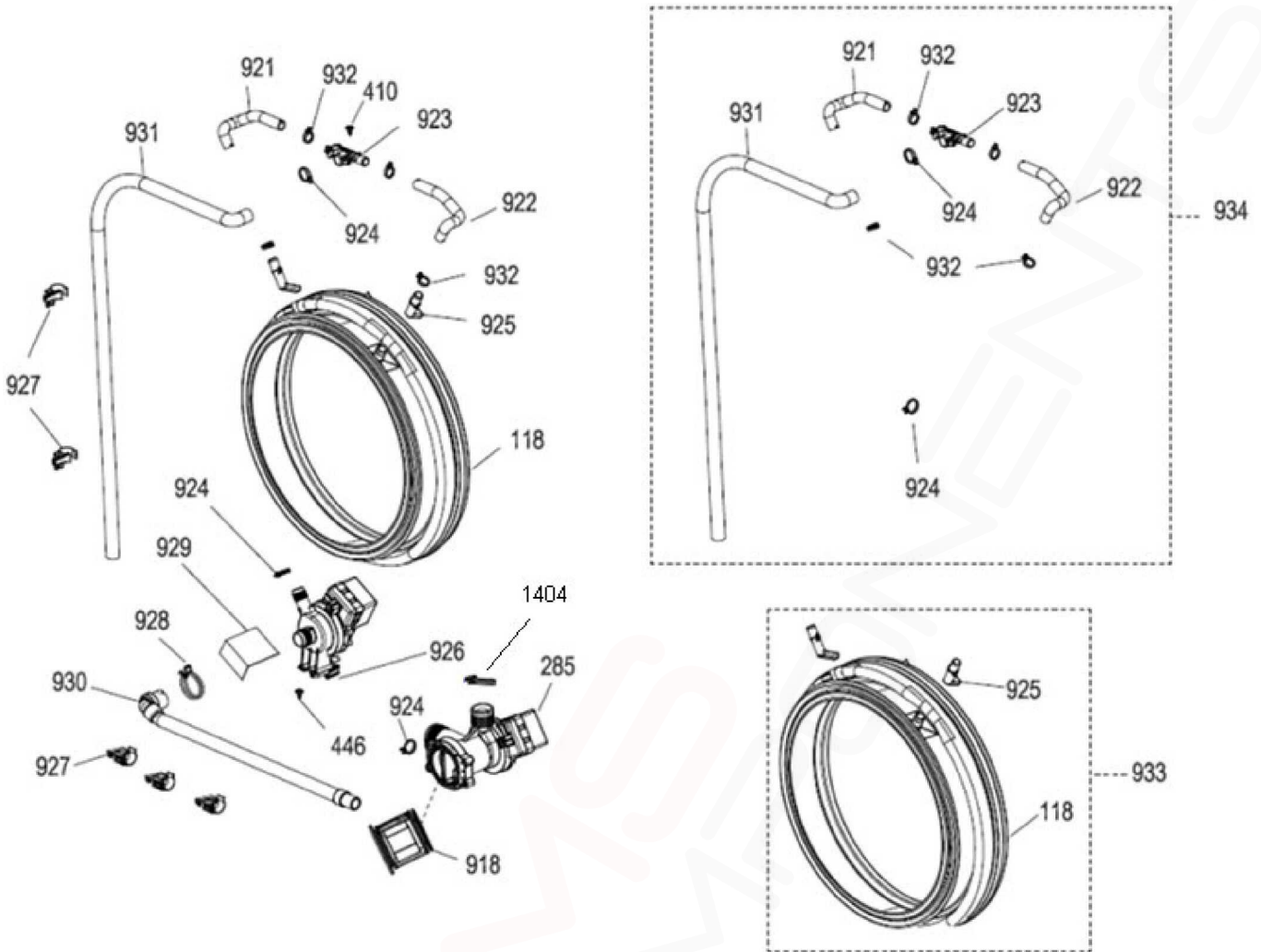


13.3.2. Washing Group Replacement Parts List

Safety	Ref. No.	Part Name & Description	Part No.	Qty	Remarks
	103	REAR TUB GROUP	AXW12A-90585	1	
	117	FRONT TUB	AXW32G-59330	1	
	160	DRUM GROUP	AXW22B-85817	1	Include ref.no.813 X 3
△	102	MOTOR	AXW401-13066	1	
	113	TUB SEAL	AXW212-15077	1	
	101	DRIVEN PULLEY	AXW502-00499	1	
	100	BELT	AXW412-25178	1	
	122	COUNTERSUNK HEAD BLT 8X28 TRX	AXWSS1-07899	4	
	206	TUB ENTRANCE WITH BELLOW HOSE	AXWEBH-14409	1	
	118	TUB BELLOWS SEAL	AXW212-25995	1	
	126	HEXAGON HEAD BOLT 6X30 PT	AXWSS3-14521	19	
	805	HEXAGON HEAD BOLT 10 X 52	AXWSB1-17567	4	
	1507	PLAIN WASHER 10.5X40X2.5	AXW420-08965	4	
	105	SHOCK ABSORBER PIN	AXWSAP-25094	4	
	118	TUB BELLOWS SEAL	AXW212-25995	1	
	119	TUB GASKET CLIP	AXW212-08555	1	
	120	FRONT CONCRETE WEIGHT	AXW1231-9244	1	
△	121	RESISTANCE GR	AXWRG1-96002	1	
△	999	NTC TEMP SENSOR	AXW1EV-35970	1	
△	899	RESISTANCE WITHOUT NTC	AXWRG1-16814	1	
	115	RESISTANCE FIXING WIRE	AXWRFW-18738	1	
	104	SHOCK ABSORBER	AXWSA1-11586	2	
	213	TUB EXIT BELLOW HOSE WITH BALL	AXW1250-7585	1	
	124	COUNTERSUNK HEAD BOLT M 8X29	AXWSB2-05142	1	
	808	MUSHROOM HED SQ NCK BLT M 8X65	AXWSB3-03063	2	
	806	PLAIN WASHER 8.4X28X3	AXWSW2-07454	2	
	810	CONICAL SPRING WSR 8.4X18X2	AXWSW1-06960	6	
	811	UPR CRT SUPPORT SHEETIRON PART	AXWUCS-16379	2	
	812	HEX.NUT W FLANGE SERRATED M8 D	AXWXNF-00615	2	
	813	PLASTIC LIFTER	AXW1PL-55352	3	
	112	UPPER CONCRETE WEIGHT	AXW1231-3323	1	
	816	FRONT TUB-RESIST PRTECT FOIL	AXW1PF-07557	1	
	817	SCW 3.5X7 P-HEAD W CLR CRS RE.	AXWSS4-15637	2	
	1300	TUB PROTECTION FOIL	AXW1FS-05042	1	
	1400	SCREWED HOSE CLAMP D65	AXWSHC-11009	1	
	1401	SPRING TYPE BAND CLAMP	AXWSBC-04819	1	
	1402	HOSE CLAMP SCREW TYPE D72	AXWHCS-07639	1	
	1403	HOSE CLAMP D38.8	AXW1HC-07367	1	

13.4. Circulation Group Parts

13.4.1. Exploded View Circulation Group Parts

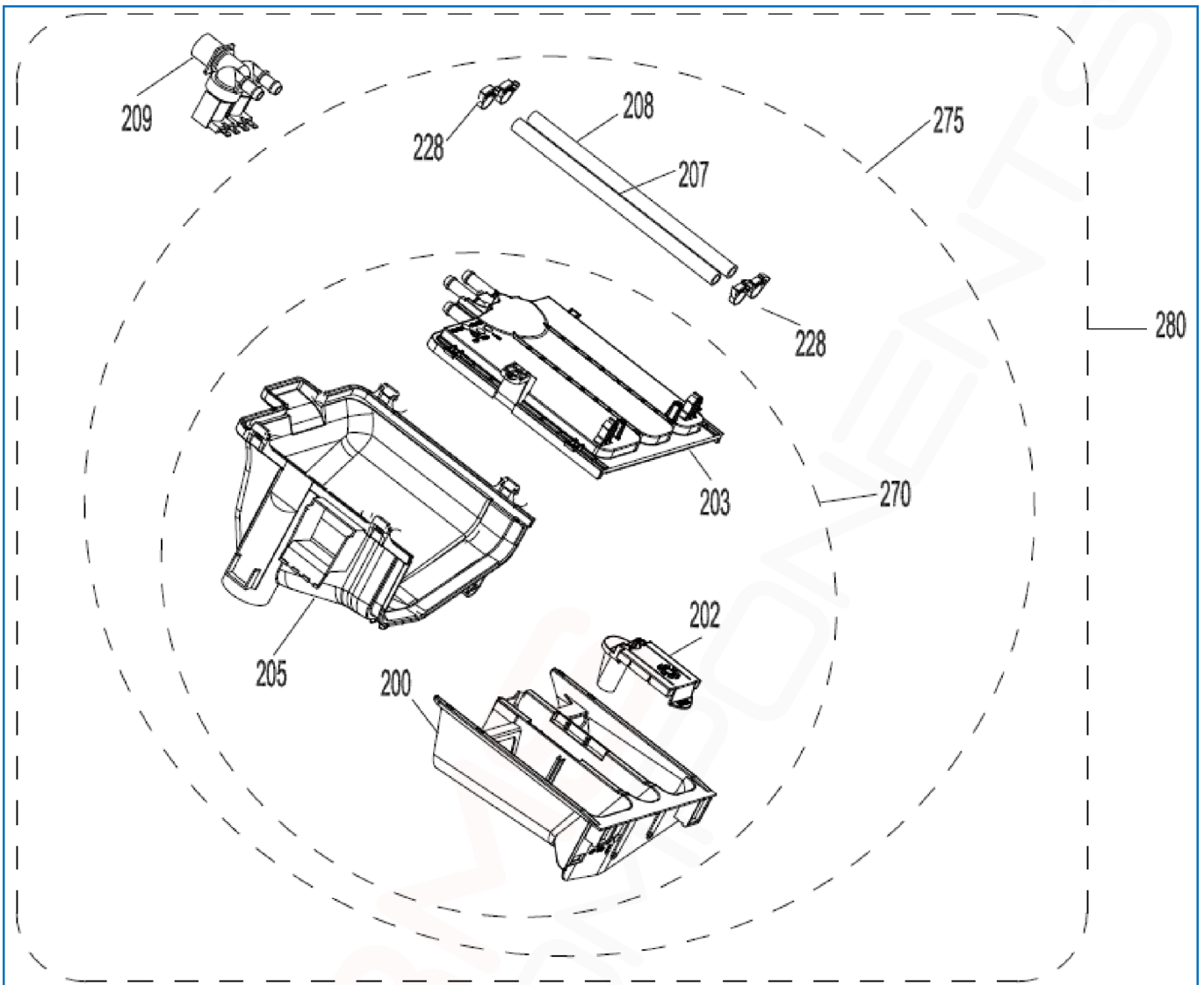


13.4.2. Circulation Group Replacement Parts List

Safety	Ref. No.	Part Name & Description	Part No.	Qty	Remarks
	921	TWIN JET HORN/LEFT	AXWTJH-25993	1	
	922	TWIN JET HORN/RIGHT	AXWTJH-25992	1	
	410	SCREW 4X14 PAN HEAD	AXWSS5-16359	1	
	923	TWIN JET T-ELBOW	AXWTJT-25561	1	
	924	HANDCUFFS O20.2	AXW2HC-08653	3	
	925	TWIN JET NOZZLE	AXWTJN-25574	2	
	931	TWIN JET HOSE H NO:2	AXWTJH-25991	1	
	927	TWIN JET CBL HOSE HLDR PLASTIC	AXWTJC-25867	5	
	928	HANDCUFFS O26.8	AXW2HC-09578	1	
	929	PUMP PROTECTION FOIL-3	AXW1PF-04693	1	
	930	TWIN JET HOSE N NO:1	AXWTJH-25194	1	
	118	TUB BELLOWS SEAL	AXW212-25995	1	
△	926	CIRCULATION PUMP	AXW8CP-06191	1	
△	285	PUMP GR.(FLTR,TH,PROTECT)	AXW8FT-06391	1	
	446	ISO 7049 ST 4.2X16	AXWSS6-14455	1	
	918	DRAIN FILTER	AXWDF-120197	1	
	932	HANDCUFFS O15.88	AXW2HC-08652	4	
	933	P-CIRCULTN TUB GASKET GR	AXW21D-31321	1	
	934	TWIN JET HOSE GROUP	AXWTJH-34816	1	
	1404	HOSE CLAMP D35.0	AXWHC-006977	1	

13.5. Detergent Drawer Group Parts

13.5.1. Exploded View Detergent Drawer Group Parts

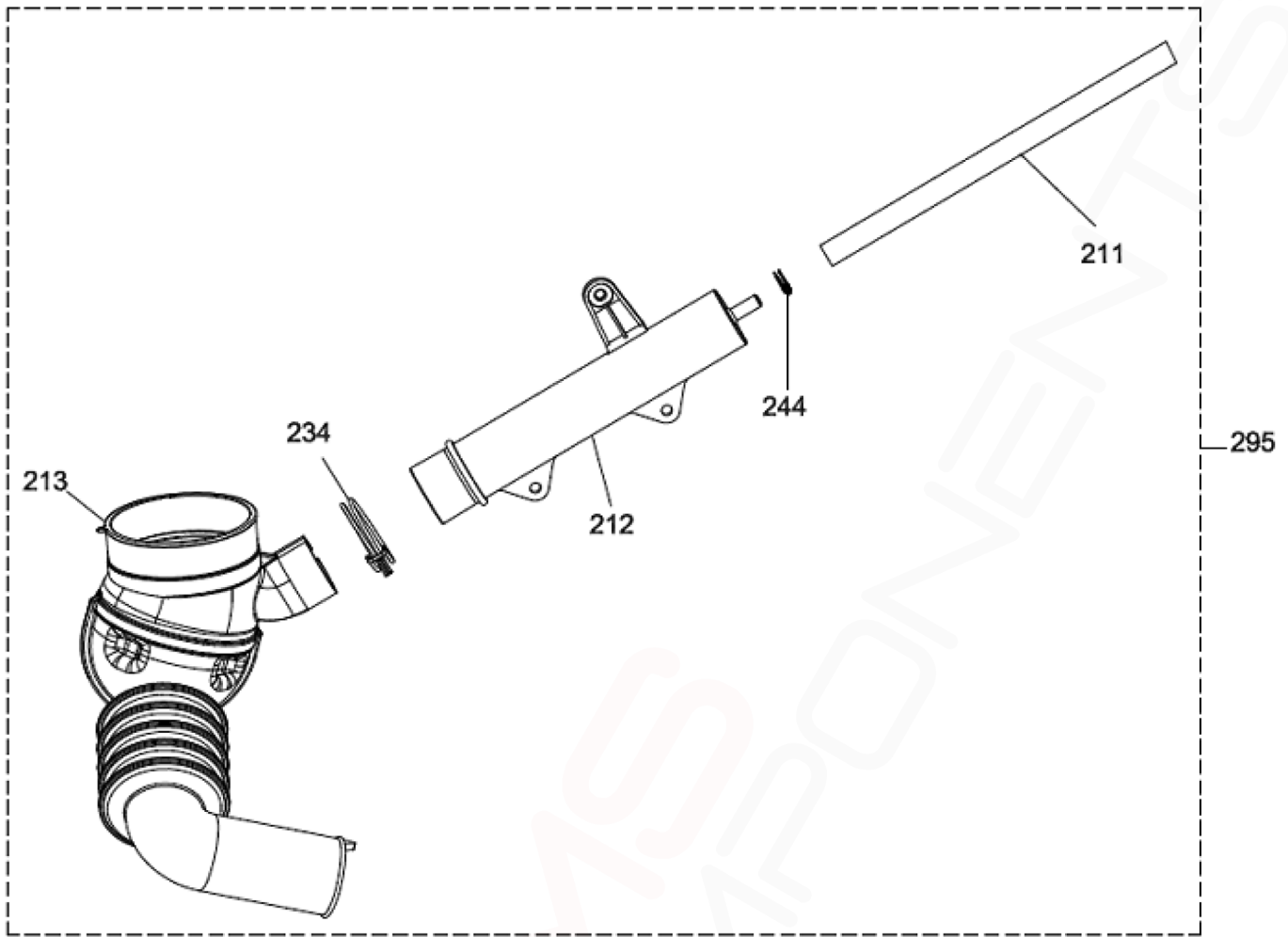


13.5.2. Detergent Drawer Group Replacement Parts List

Safety	Ref. No.	Part Name & Description	Part No.	Qty	Remarks
	200	DETERGENT DRAWER	AXW1DD-19135	1	
	202	SIPHON COVER	AXW1SC-19134	1	(U)
	203	WATER DISTRIBUTION PLATE GR	AXW1WD-19141	1	
	205	DETERGENT DRAWER HOUSING	AXW1DD-19136	1	
	228	PLASTIC HOSE CLAMP	AXW1PH-04189	4	
	207	VALVE-DETERGENT BOX HOSE	AXW1VD-04536	1	220mm
	208	VALVE-DETERGENT BOX HOSE	AXW1VD-07796	1	240mm
⚠	209	VALVE(TWO EXIT)	AXW1VT-13042	1	
	270	DETERGENT BOX GROUP	AXW21D-21045	1	
	275	DETERGENT BOX GROUP/HOSE	AXW31D-22686	1	
⚠	280	DETERGENT BOX GROUP/FULL	AXW41D-56640	1	

13.6. Pressure Switch Hose Group Parts

13.6.1. Exploded View Pressure Switch Hose Group Parts

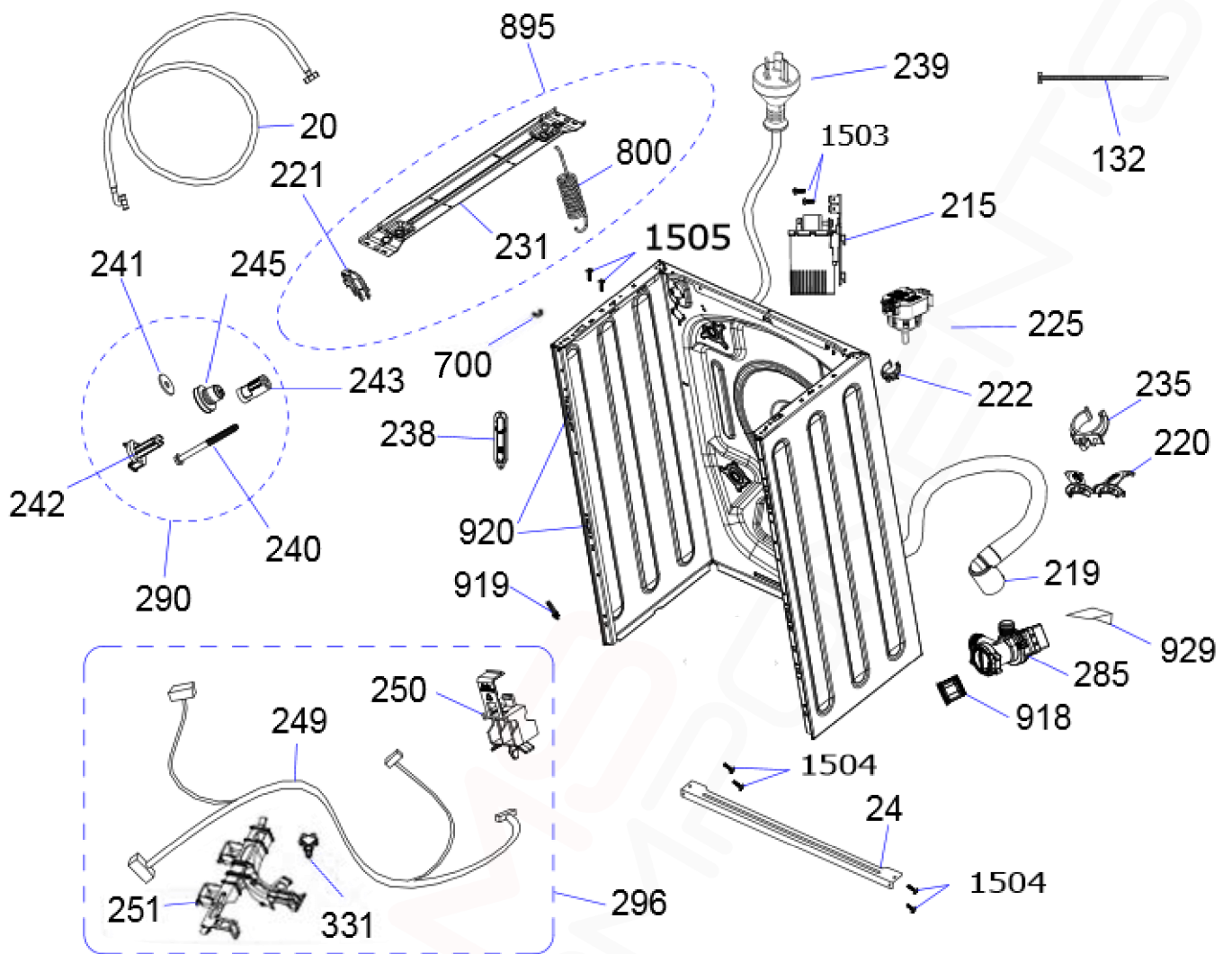


13.6.2. Pressure Switch Hose Group Replacement Parts List

Safety	Ref. No.	Part Name & Description	Part No.	Qty	Remarks
	211	PRESSURE SWITCH HOSE (EPDM)	AXW1PS-78599	1	
	212	PRESSURE SW WATER RESERVOIR	AXW1PS-88879	1	
	213	TUB EXIT WITH BELLOW HOSE WITH BALL	AXW1250-7585	1	
	234	HOSE HANDCUFFS D32.7	AXW1HC-07366	1	
	244	HOSE HANDCUFFS D9.6	AXW1HC-08991	1	
	295	PRESSURE SWITCH HOSE GR	AXW2PS-79698	1	

13.7. Body Group Parts

13.7.1. Exploded View Body Group Parts

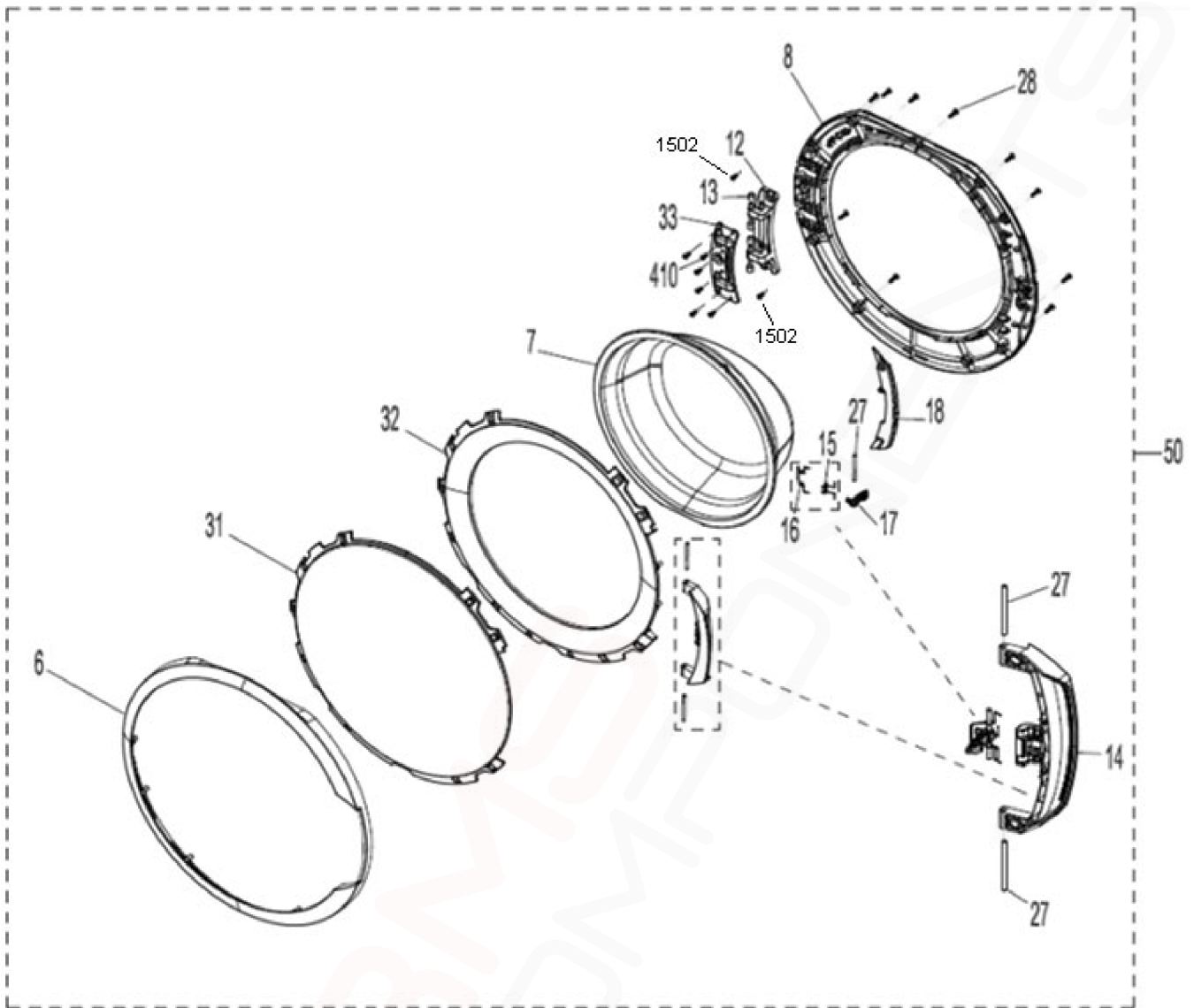


13.7.2. Body Group Replacement Parts List

Safety	Ref. No.	Part Name & Description	Part No.	Qty	Remarks
	20	WATER ENTRY HOSE GROUP	AXW12C-14423	1	NA-127VB3WN1
			AXW12C-19174		NA-127VB3WA1
	24	UPPER SUPPORT BRACKET	AXW1US-79357	1	
△	285	PUMP GROUP	AXW8FT-06391	1	
	220	DRAIN HOSE ROUTER PLASTIC	AXW1DH-19322	1	
	219	DRAIN HOSE	AXW1DH-74837	1	
△	225	ELECTRONIC PRESSURE SENSOR	AXW1EP-06187	1	
△	215	EMI FILTER	AXW2EF-15002	1	
△	296	CABLE GR	AXW2CB-13278	1	
△	249	CABLE HARNESS	AXW14B-13279	1	
	250	CABLE HARNESS HOLDER PLS	AXW1CH-22148	1	
	251	CABLE HARNESS HOLDER PLS.	AXW1CH-28367	1	
	331	LOCKING WIRE SADDLE (BLUE)	AXW1CH-20665	1	
	895	SPRING HANGER BRACKET GROUP	AXW1SH-37953	1	
	800	TUB SPRING	AXW3441-5307	2	
	231	SPRING HANGER BRACKET	AXW2SH-79359	1	
	221	HANGER SPRING BRACKET PLS.	AXW1HS-16727	2	
	700	TUB HANGER SPRING PART	AXWTHS-19298	2	
	235	DRAIN HOSE HOLDING PLS	AXW1HC-14270	4	
△	239	POWER CORD GROUP	AXW4A-017724	1	AUS PLUG
	222	PRESSURE SWITCH MOUNTING CLIP	AXW1HC-22768	1	
	238	SPEED CONTROL HOLE STOPPER	AXW1SC-06161	1	
	290	TRANSPORT SCREW GROUP-II	AXW2TS-15676	4	
	242	TRANSPORT SCREW PLASTIC-A-II	AXW1TS-18528	4	
	243	TRANSPORT SCREW PLASTIC-B-II	AXW1TS-18529	4	
	240	TRANSPORT SCREW	AXWSB4-08363	4	
	245	TRANSPORT SCREW EPDM	AXW1TS-60790	4	
	241	PLAIN WASHER 8.30X29X2	AXW420-15272	4	
	132	CABLE TIE(YKB150)	AXWCT-075920	7	
	918	DRAIN FILTER	AXWDF-120197	1	
	919	HOSE CLAMP DIA 8.6	AXWHC-003440	1	
	920	FRONT P DROP FIXING PL	AXWPV-204560	4	
	929	DRAIN PUMP PROTECTION FOIL	AXW1PF-04693	1	
	1503	ST 4.2X9.5 PAN HE W.COL.T.U DR	AXWSS7-16042	2	
	1504	ISO 7049 ST 4.2X13 TORX	AXWSS6-14453	4	
	1505	ST 4.2X9.5 TRTSB	AXWSS5-14454	4	

13.8. Porthole Group Parts

13.8.1. Exploded View Porthole Group Parts



13.8.2. Porthole Group Replacement Parts List

Safety	Ref. No.	Part Name & Description	Part No.	Qty	Remarks
	28	SCR 3.5X16PAN.HE.W COL.CR.RE.	AXWSS7-08715	10	
	8	INNER DOOR PLASTIC	AXW1DP-55347	1	
	12	HINGE II-M5	AXW192-15559	1	
	13	HINGE BUSHING II	AXW192-23907	4	
	33	DOOR HINGE SUPPORT SHEET	AXW192-08152	1	
	410	SCR 4X12TORX PAN HE W UND HE	AXWSB9-16360	6	
	18	INNER DOOR PLS INSERT PART	AXW1DP-55348	1	
	17	DOOR HOOK II.(METAL)	AXW1DH-08931	1	
	15	HOOK SPRING	AXW1HS-07443	1	
	16	HANDLE SPRING	AXW1HS-14985	1	
	7	DOOR GLASS	AXW1GD-03771	1	
	27	DOOR HANDLE TONGUE PIN	AXW1DH-07434	3	
	14	DOOR HANDLE	AXW1DH-55346	1	
	32	OUTER DOOR PLS. INNER FRAME	AXW1DS-55345	1	
	31	FRONT DOOR COVER	AXW1DC-55343	1	
	6	OUTER DOOR PLASTIC	AXW1DP-55344	1	
	50	PORTHOLE GROUP	AXW2DP-56599	1	(U)
	1502	SCREW M5X8 TSB	AXWSST-15092	2	