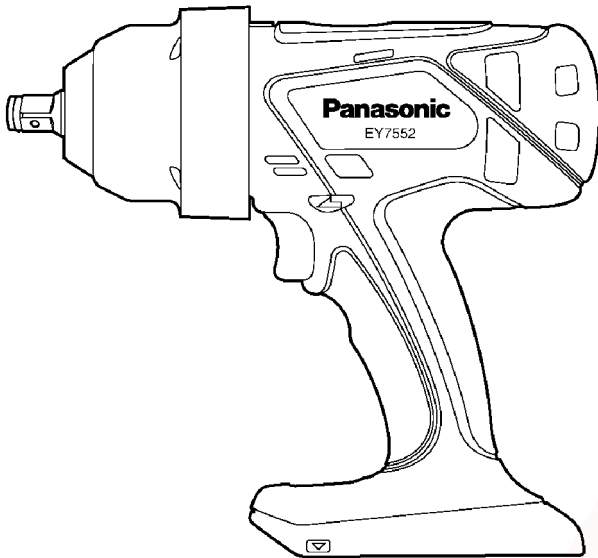


Service Manual

Cordless Impact Wrench

Model No. **EY7552**

Europe
Oceania



⚠ WARNING

This service information is designed for experienced repair technicians only and is not designed for use by the general public. It does not contain warnings or cautions to advise non-technical individuals of potential dangers in attempting to service a product. Products powered by electricity should be serviced or repaired only by experienced professional technicians. Any attempt to service or repair the product or products dealt with in this service information by anyone else could result in serious injury or death.

IMPORTANT SAFETY NOTICE

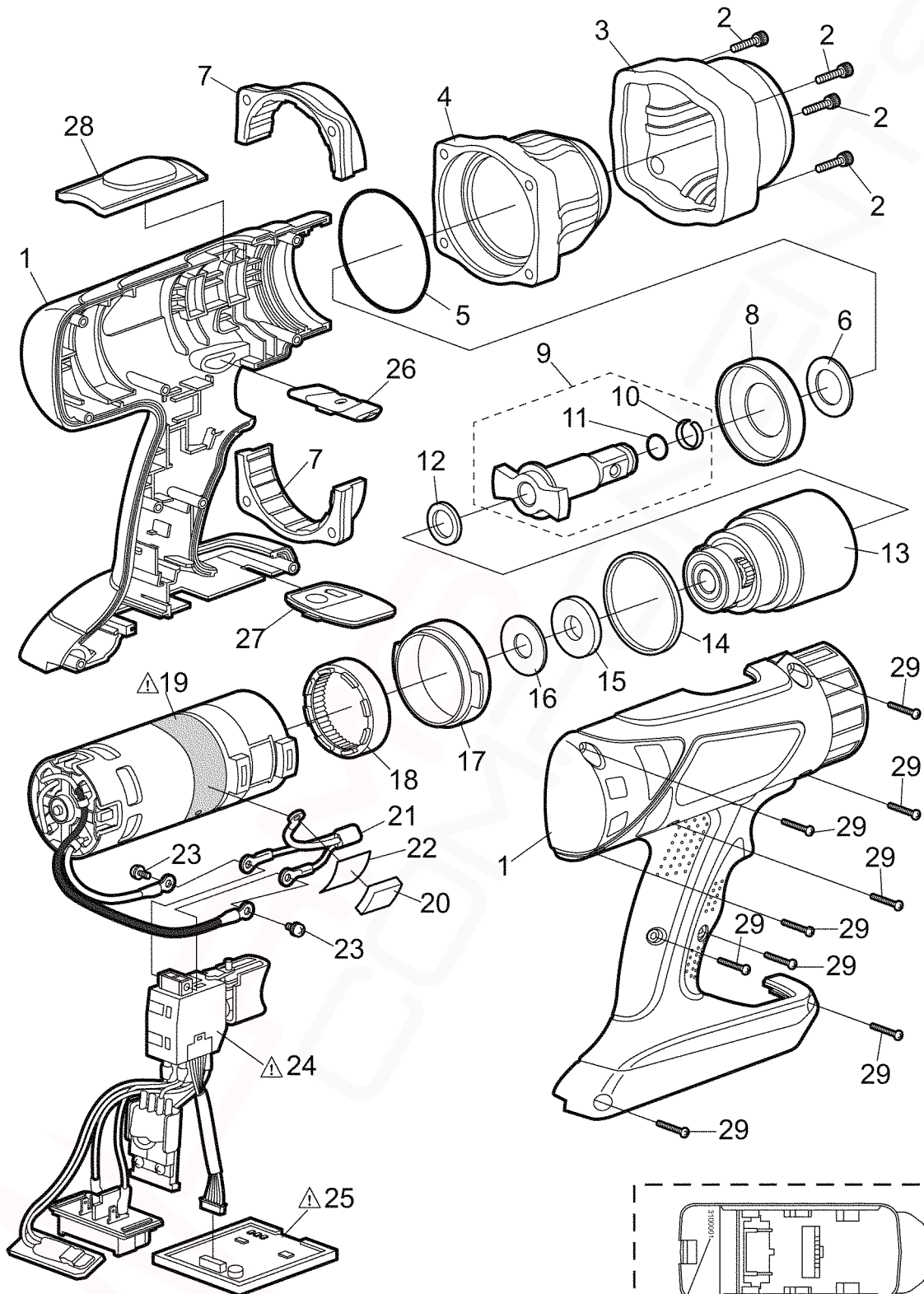
There are special components used in this equipment which are important for safety. These parts are marked by ⚠ in the Schematic Diagrams, Circuit Board Diagrams, Exploded Views and Replacement Parts List. It is essential that these critical parts should be replaced with manufacturer's specified parts to prevent shock, fire or other hazards. Do not modify the original design without permission of manufacturer.

TABLE OF CONTENTS

	PAGE	PAGE
1 Warning.....	2	
2 Specifications	2	
3 Troubleshooting Guide.....	3	
4 Disassembly and Assembly Instructions	6	
5 Wiring Connection Diagram	16	
6 Schematic Diagram.....	16	
7 Exploded View and Replacement Parts List	17	

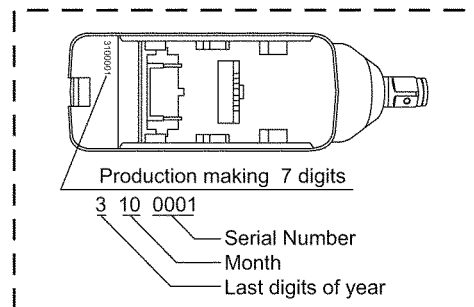
7 Exploded View and Replacement Parts List

7.1. Exploded View



*Battery Pack is available as an optional accessory. See the nearest sales dealer for details.

*For replacement parts of charger, see the charger service manual. Charger complete set is available as an optional accessory. See the nearest sales dealer for details.



7.2. Replacement Parts List

Safety	Ref. No.	Part No.	Part Name & Description	Quantity	Remarks
	1	WEY7552H3079	HOUSING AB SET	1	(for EUROPE)
	1	WEY7552H3070	HOUSING AB SET	1	(for OCEANIA)
	2	WEY7552L6417	HEXAGON COUPLING BOLT	4	(M4)
	3	WEY7552K3107	NOSE PROTECTOR	1	
	4	WEY7552S3747	SHAFT COVER ASSEMBLY	1	
	5	WEY7552K0857	THRUST PLATE	1	
	6	WEY7552L0967	O-RING	1	
	7	WEY7552K3537	CASE ATTACHMENT	1	(Upper/Lower attachment sets)
	8	WEY7552W0527	CAP	1	
	9	WEY7552K1127	POWER SHAFT	1	
	10	WEY7552K0187	RETAINER RING	1	
	11	WEY7552K0987	O-RING	1	
	12	WEY7552K0847	THRUST PLATE	1	
	13	WEY7552L4058	DRIVING BLOCK	1	
	14	WEY7552K0497	STRENGTHEN RING	1	
	15	WEY7552K0207	BEARING SPACER	1	
	16	WEY7552H0867	THRUST PLATE	1	
	17	WEY7552C1817	RING GEAR COVER	1	
	18	WEY7552S1417	RING GEAR	1	
	19	WEY7552L1007	MOTOR ASSEMBLY	1	
	20	WEY7552K0308	RUBBER	1	
	21	WEY7552L2388	CAPACITOR	1	
	22	WEY7552L8398	HEAT RESISTANT TAPE	1	(30m/roll)
	23	WEY6230L6027	SEMS SCREW	2	(K3*6)
	24	WEY7552L2007	SWITCH ASSEMBLY	1	
	25	WEY7552L2107	MODULE ASSEMBLY	1	
	26	WEY7547H3247	F/R SELECTOR HANDLE	1	
	27	WEY7552K3957	OPERATION PLATE SET	1	
	28	WEY7552K3237	H/L COVER	1	
	29	WEY6930K9216	SCREW	9	(K3*20)
	-	WEY9L40R2788	BATTERY PACK COVER	1	
	-	WEY9644K7018	TOOL CASE	1	
	-	WEY7552K8109	OPERATING INSTRUCTIONS	1	
	-	WEY004X8967	CALFOREX	1	
	-	WEY003W8957	GREASE (PERMALUB)	1	