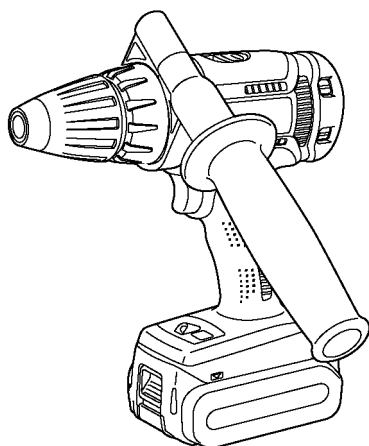


# Service Manual

Cordless Drill & Driver / Cordless Hammer Drill & Driver



Model No. **EY7442**

**EY7450**

(Cordless Drill & Driver)

Model No. **EY7950**

(Cordless Hammer Drill  
& Driver)

Europe and Oceania

## ⚠ WARNING

This service information is designed for experienced repair technicians only and is not designed for use by the general public. It does not contain warnings or cautions to advise non-technical individuals of potential dangers in attempting to service a product. Products powered by electricity should be serviced or repaired only by experienced professional technicians. Any attempt to service or repair the product or products dealt with in this service information by anyone else could result in serious injury or death.

## IMPORTANT SAFETY NOTICE

There are special components used in this equipment which are important for safety. These parts are marked by ⚠ in the Schematic Diagrams, Circuit Board Diagrams, Exploded Views and Replacement Parts List. It is essential that these critical parts should be replaced with manufacturer's specified parts to prevent shock, fire or other hazards. Do not modify the original design without permission of manufacturer.

## TABLE OF CONTENTS

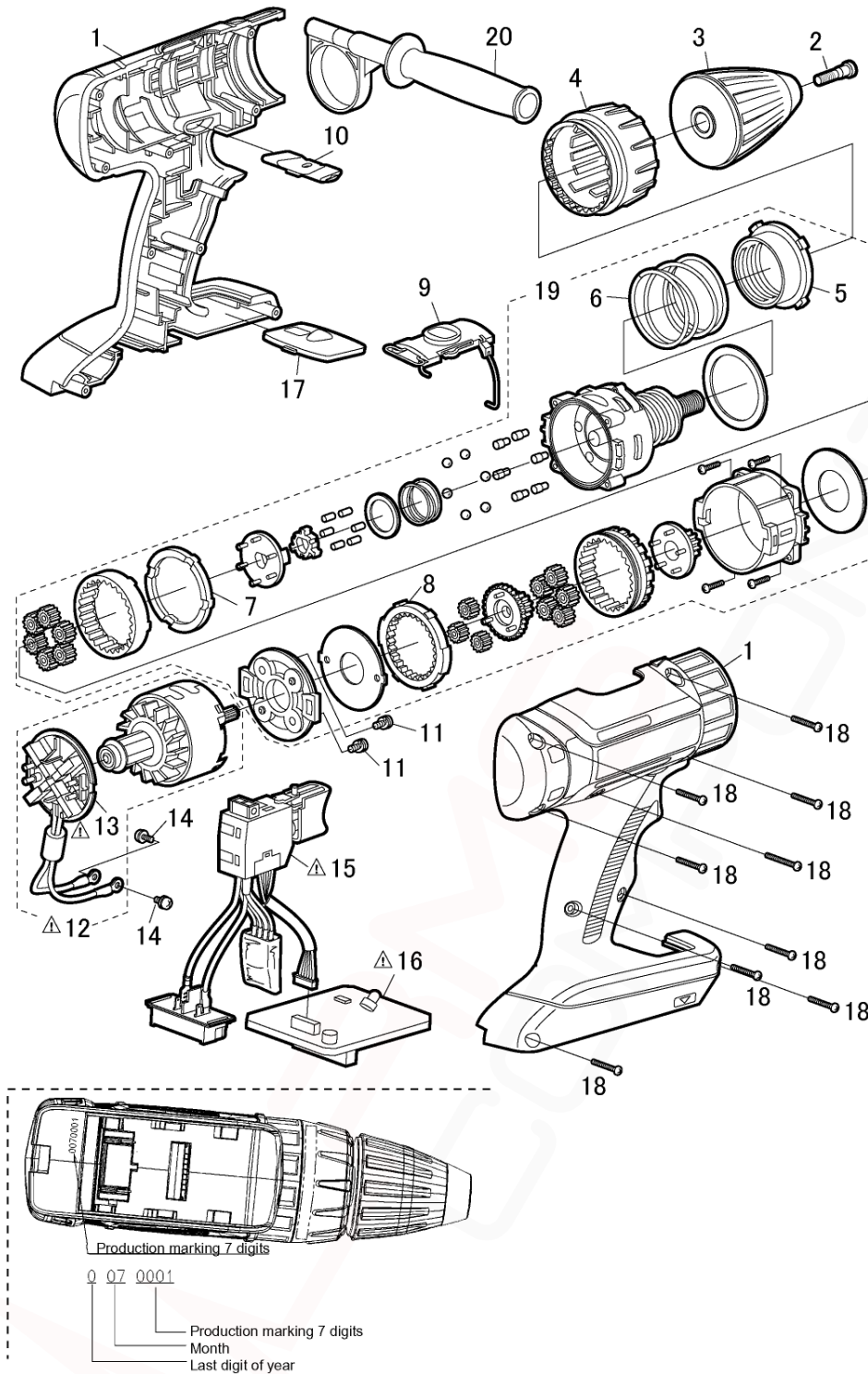
	PAGE	PAGE
1 Warning-----	2	
2 Specifications -----	2	
3 Troubleshooting Guide-----	3	
4 Disassembly and Assembly Instructions -----	8	
5 Wiring Connection Diagram -----	16	
6 Schematic Diagram-----	17	
7 Exploded View and Replacement Parts List -----	18	

# Panasonic

© Panasonic Electric Works Co., Ltd. 2011.  
All rights reserved. Unauthorized copying and distribution is a violation of law.

# 7 Exploded View and Replacement Parts List

Model No. : EY7442 Exploded View for EY7442



\*\* Battery Pack is available as an optional accessory. See the nearest sales dealer for details.

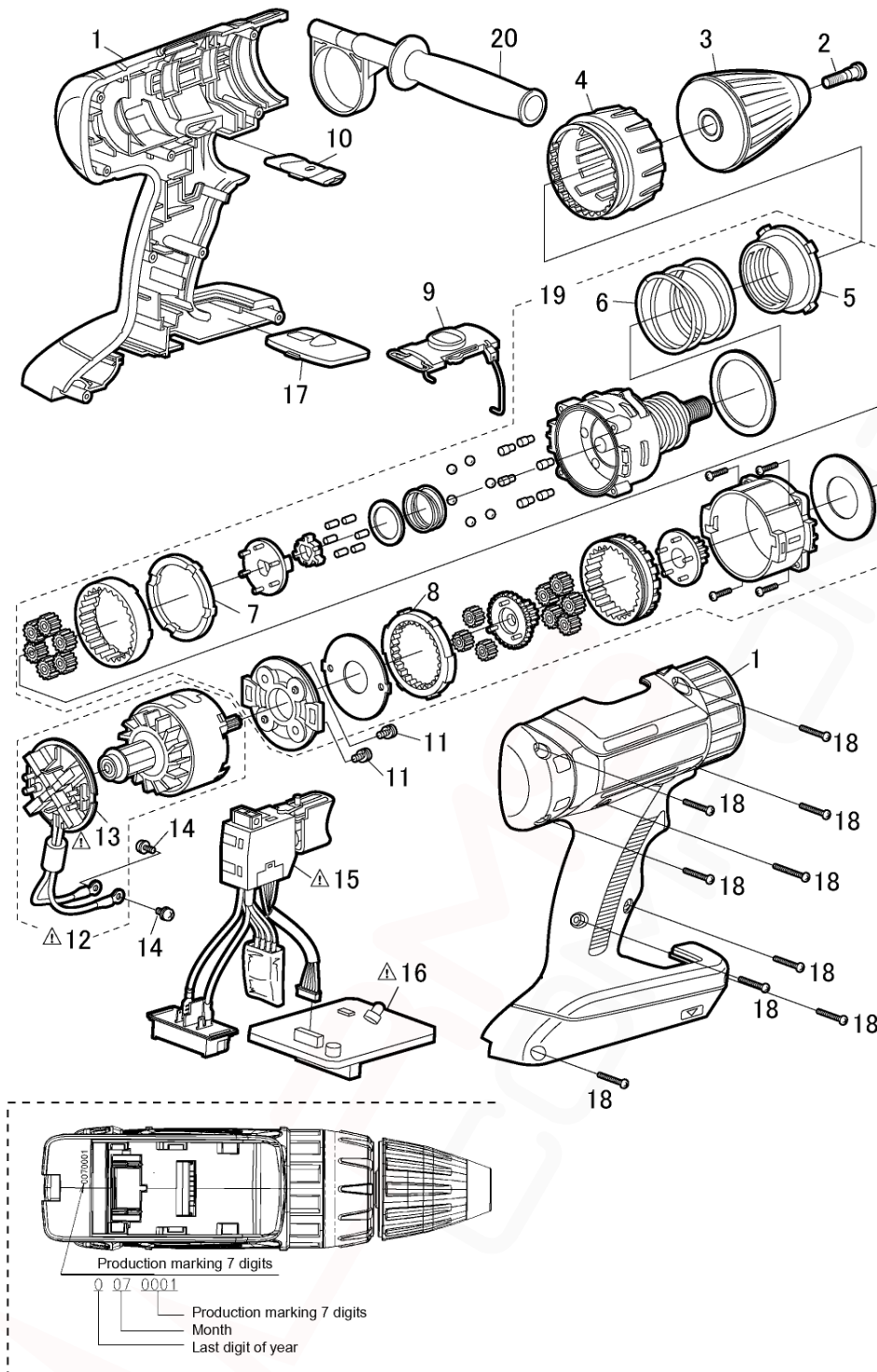
\*\*\* For replacement parts of charger, see the charger service manual.

Charger complete set is available as an optional accessory. See the nearest sales dealer for details.

## Model No. : EY7442 Parts List

Safety	Ref. No.	Part No.	Part Name & Description	Q'ty	Remarks
EY7442					
	1	WEY7442K3078	HOUSING AB SET	1	(for Europe)
	1	WEY7442K3079	HOUSING AB SET	1	(for Oceania)
	2	WEY6450L6806	CHUCK FASTENING SCREW	1	
	3	WEY7441K7917	KEYLESS CHUCK	1	
	4	WEY7442H3227	CLUTCH HANDLE	1	
	5	WEY7460L0637	ADJUSTING SCREW	1	
	6	WEY7442L0177	CLUTCH SPRING	1	
	7	WEY7442L1427	RING GEAR	1	
	8	WEY7442L1117	RING GEAR A	1	
	9	WEY7460H3238	H/L CHANGE HANDLE	1	
	10	WEY7460H3248	F/R SELECTOR HANDLE	1	
	11	WEY7441L6028	SEMS SCREW	2	(K3-6)
	12	WEY7442L1008	DC MOTOR ASSEMBLY	1	
	13	WEY7442L2577	MOTOR BRUSH ASSEMBLY	1	
	14	WEYT184L6076	SEMS SCREW	2	(K4-6)
	15	WEY7442L2007	SWITCH ASSEMBLY	1	
	16	WEY7442L2117	CONTROL PCB	1	
	17	WEY7460K3958	OPERATION PANEL	1	
	18	WEY6405K9218	TORX TAPPING SCREW	9	(K3-20)
	19	WEY7442L4057	GEAR BOX BLOCK	1	
	20	WEY7460K4628	SUPPORT HANDLE	1	
	-	WEY9L40R2788	BATTERY PACK COVER	1	
	-	WEY9644K7019	TOOL CASE	1	
	-	WEY7450K8108	OPERATING INSTRUCTIONS	1	
	-	WEY001T8907	GREASE (ALVANIA)	1	
	-	WEY003W8957	GREASE (PERMALUB)	1	

**Model No. : EY7450 Exploded View for EY7450**



\*\* Battery Pack is available as an optional accessory. See the nearest sales dealer for details.

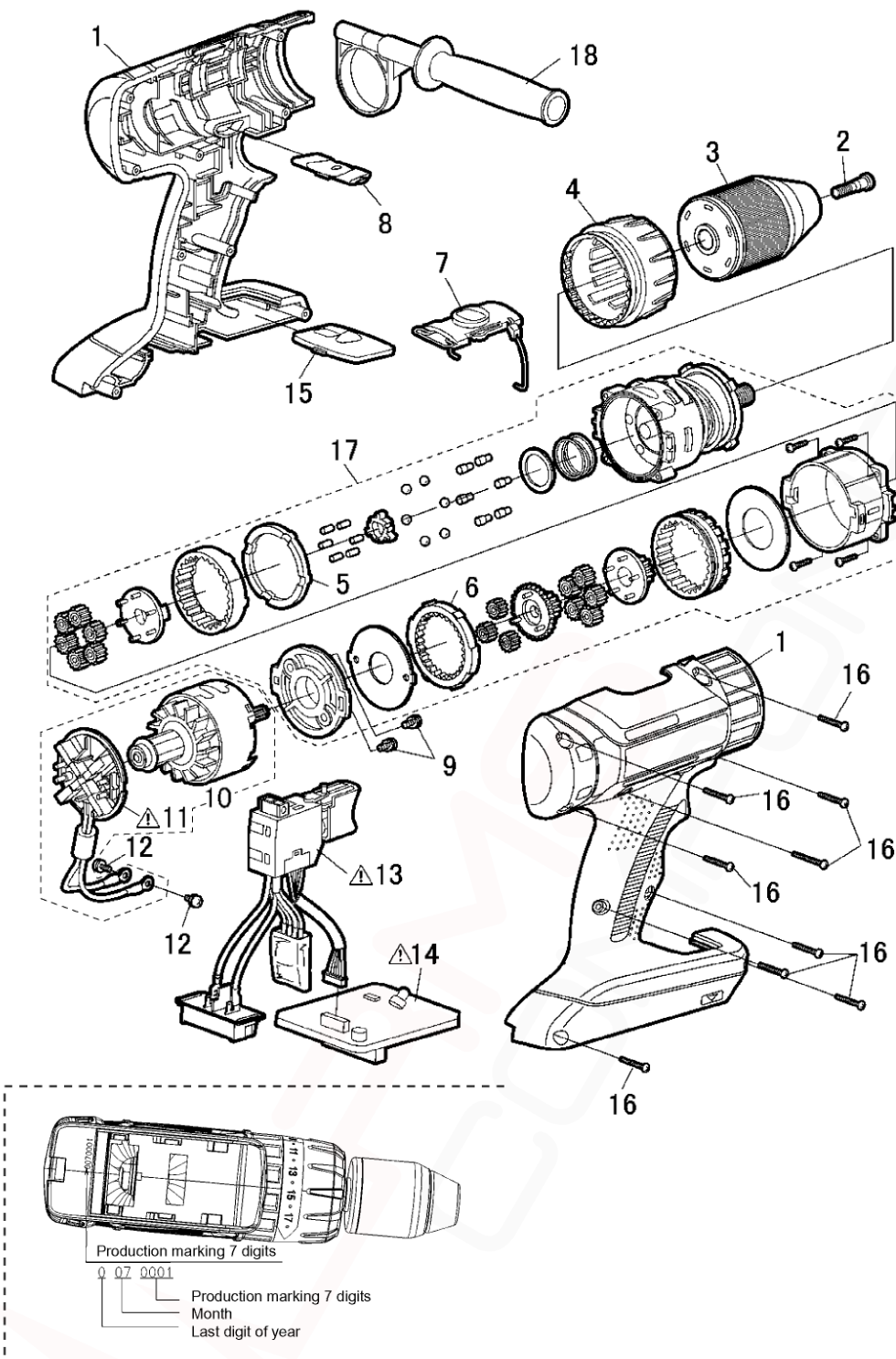
\*\*\* For replacement parts of charger, see the charger service manual.

Charger complete set is available as an optional accessory. See the nearest sales dealer for details.

## Model No. : EY7450 Parts List

Safety	Ref. No.	Part No.	Part Name & Description	Q'ty	Remarks
EY7450					
	1	WEY7450K3079	HOUSING AB SET	1	(for Europe)
	1	WEY7450K3070	HOUSING AB SET	1	(for Oceania)
	2	WEY6450L6806	CHUCK FASTENING SCREW	1	
	3	WEY7441K7917	KEYLESS CHUCK	1	
	4	WEY7442H3227	CLUTCH HANDLE	1	
	5	WEY7460L0637	ADJUSTING SCREW	1	
	6	WEY7442L0177	CLUTCH SPRING	1	
	7	WEY7442L1427	RING GEAR	1	
	8	WEY7442L1117	RING GEAR A	1	
	9	WEY7460H3238	H/L CHANGE HANDLE	1	
	10	WEY7460H3248	F/R SELECTOR HANDLE	1	
	11	WEY7441L6028	SEMS SCREW	2	(K3-6)
	12	WEY7450L1008	DC MOTOR ASSEMBLY	1	
	13	WEY7442L2577	MOTOR BRUSH ASSEMBLY	1	
	14	WEYT184L6076	SEMS SCREW	2	(K4-6)
	15	WEY7442L2007	SWITCH ASSEMBLY	1	
	16	WEY7450L2117	CONTROL PCB	1	
	17	WEY7460K3958	OPERATION PANEL	1	
	18	WEY6405K9218	TORX TAPPING SCREW	9	(K3-20)
	19	WEY7442L4057	GEAR BOX BLOCK	1	
	20	WEY7460K4628	SUPPORT HANDLE	1	
	-	WEY9L40R2788	BATTERY PACK COVER	1	
	-	WEY9644K7019	TOOL CASE	1	
	-	WEY7450K8109	OPERATING INSTRUCTIONS	1	
	-	WEY001T8907	GREASE (ALVANIA)		
	-	WEY003W8957	GREASE (PERMALUB)		

**Model No. : EY7950 Exploded View for EY7950**



\*\* Battery Pack is available as an optional accessory. See the nearest sales dealer for details.

\*\*\* For replacement parts of charger, see the charger service manual.

Charger complete set is available as an optional accessory. See the nearest sales dealer for details.

## Model No. : EY7950 Parts List

Safety	Ref. No.	Part No.	Part Name & Description	Q'ty	Remarks
EY7950					
	1	WEY7950K3079	HOUSING AB SET	1	(for Europe)
	1	WEY7950K3070	HOUSING AB SET	1	(for Oceania)
	2	WEY7950L6808	CHUCK FASTENING SCREW	1	
	3	WEY7950K7918	KEYLESS CHUCK	1	
	4	WEY7950K3227	CLUTCH HANDLE	1	
	5	WEY7442L1427	RING GEAR	1	
	6	WEY7442L1117	RING GEAR A	1	
	7	WEY7460H3238	H/L CHANGE HANDLE	1	
	8	WEY7460H3248	F/R SELECTOR HANDLE	1	
	9	WEY7441L6028	SEMS SCREW	2	(K3-6)
	10	WEY7450L1008	DC MOTOR ASSEMBLY	1	
	11	WEY7442L2577	MOTOR BRUSH ASSEMBLY	1	
	12	WEYT184L6076	SEMS SCREW	2	(K4-6)
	13	WEY7442L2007	SWITCH ASSEMBLY	1	
	14	WEY7450L2118	CONTROL PCB	1	
	15	WEY7460K3958	OPERATION PANEL	1	
	16	WEY6405K9218	TORX TAPPING SCREW	9	(K3-20)
	17	WEY7950L4057	GEAR BOX BLOCK	1	
	18	WEY7460K4628	SUPPORT HANDLE	1	
	-	WEY9L40R2788	BATTERY PACK COVER	1	
	-	WEY9644K7019	TOOL CASE	1	
	-	WEY7450K8109	OPERATING INSTRUCTIONS	1	
	-	WEY001T8907	GREASE (ALVANIA)	1	
	-	WEY003W8957	GREASE (PERMALUB)	1	