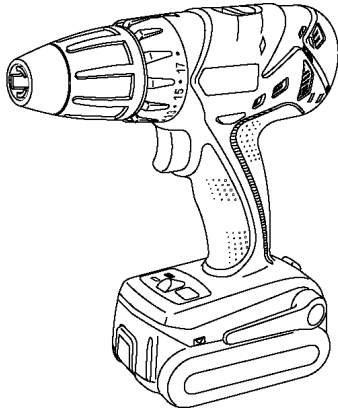


Service Manual

Cordless Drill & Driver

EY7440-X8



SPECIFICATIONS

MAIN UNIT

Motor		14.4V DC
No load speed	LOW	60 ~ 400/min (rpm)
	HIGH	200 ~ 1350/min (rpm)
Chuck capacity		ϕ 1.5 ~ 13mm (1/16" ~ 1/2")
Maximum torque	LOW	26.0N·m (265kgf-cm)
	HIGH	8.8N·m (90kgf-cm)
Clutch torque		Approx. 0.5Nm (5.0kgf-cm, 4.4in-lbs) – 4.4Nm (45.0kgf-cm, 39.0in-lbs)
Overall length		191mm (7-1/2")
Weight (with battery pack EY9L40)		1.6kg (3.5lbs)

WARNING

This service information is designed for experienced repair technicians only and is not designed for use by the general public. It does not contain warnings or cautions to advise non-technical individuals of potential dangers in attempting to service a product. Products powered by electricity should be serviced or repaired only by experienced professional technicians. Any attempt to service or repair the product or products dealt with in this service information by anyone else could result in serious injury or death.

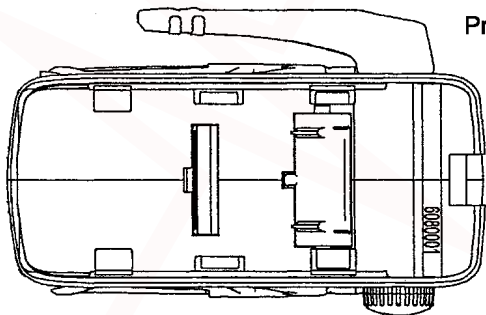
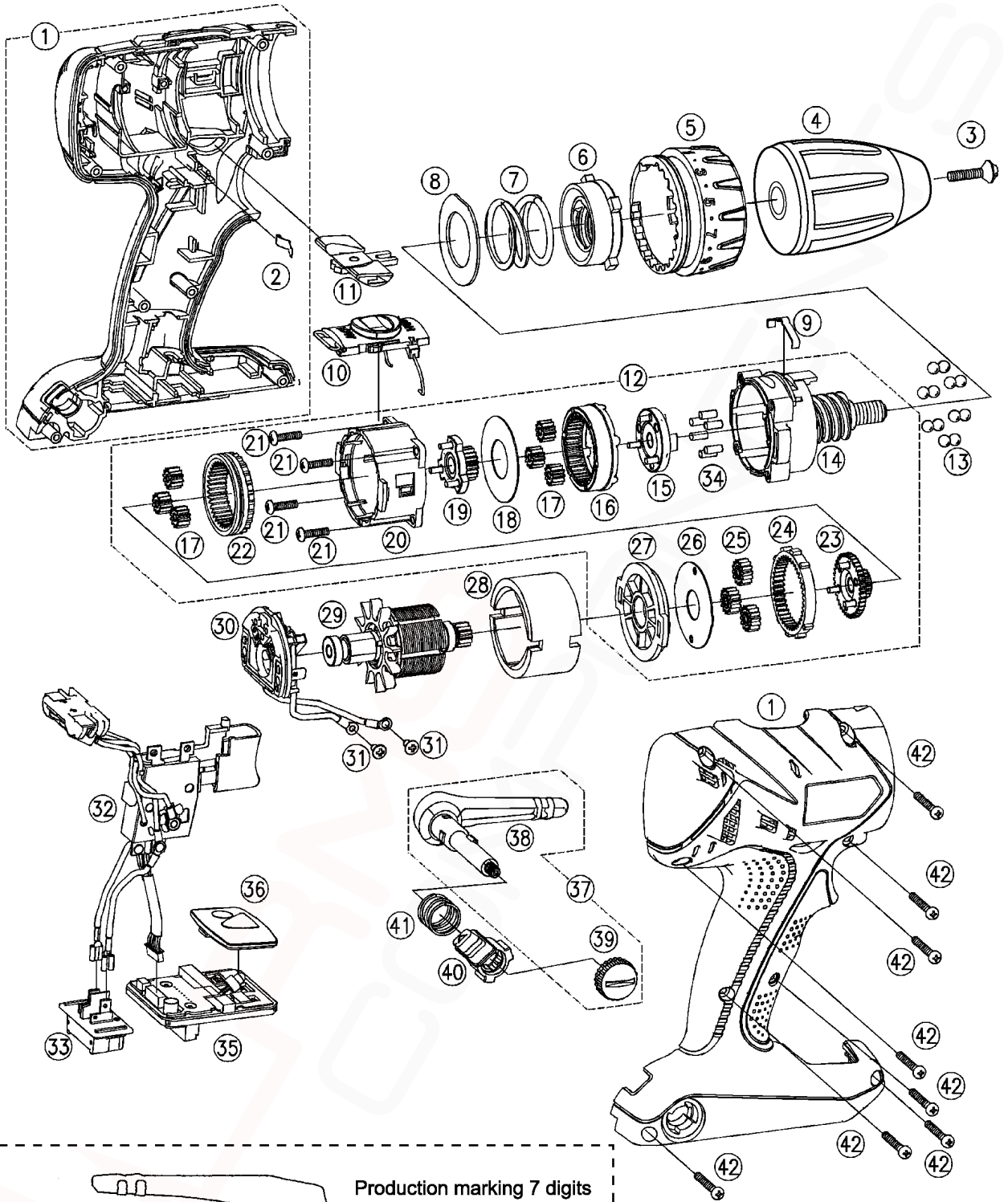
CONTENTS

	Page		Page
1 SCHEMATIC DIAGRAM	2	4 TROUBLESHOOTING GUIDE	9
2 WIRING CONNECTION DIAGRAM	2	5 EXPLODED VIEW	11
3 DISASSEMBLY/ASSEMBLY INSTRUCTIONS	3	6 REPLACEMENT PARTS LIST	12

Panasonic

© 2006 Matsushita Electric Works Ltd. All rights reserved. Unauthorized copying and distribution is a violation of law.

5 EXPLODED VIEW



Production marking 7 digits

6 08 0001

Serial No.
Month
Year (Last digits)

6 REPLACEMENT PARTS LIST

NOTE:

*B=only available as set

*C=available individually

Ref.No.	Part No.	Part Name & Description	Remarks		Per Unit
1	WEY7440K3079	HOUSING AB SET		for EUROPE	1
1	WEY7440K3070	HOUSING AB SET		for OCEANIA	1
2	WEY6481L0176	CLICK SPRING			1
3	WEYT103L6806	CHUCK FASTENING SCREW			1
4	WEY7440K7918	KEYLESS CHUCK		(SH)	1
5	WEY7440H3227	CLUTCH HANDLE			1
6	WEY7000L0637	ADJUSTING SCREW			1
7	WEY7000L0177	CLUTCH SPRING			1
8	WEY7000L0577	CLUTCH PLATE			1
9	WEYT107L0457	CLICK SPRING A			1
10	WEY7440H1557	H/L CHANGE HANDLE			1
11	WEY7440H3247	F/R SELECTOR HANDLE			1
12	WEY7440L1067	DRIVING BLOCK A			1
13	WEY7000L6967	STEEL BALL	*C	(12PCS/PK)	12
14	WEY7440L1087	DRIVING BLOCK			1
15	WEY7000L1137	CARRIER			1
16	WEY7440L1427	RING GEAR			1
17	WEY7000L1347	PLANET GEAR	*B	(3PCS/PK)	6
18	WEY7000L0857	THRUST PLATE			1
19	WEY7000L1117	CARRIER			1
20	WEY7440L1767	GEAR CASE			1
21	WEY508Ca9627	TAPPING SCREW	*C	K3-12	4
22	WEY7440L1457	RING GEAR A			1
23	WEY7000L1127	CARRIER B			1
24	WEY7000L1467	RING GEAR B			1
25	WEY7000L1367	PLANET GEAR B	*B	(3PCS/PK)	3
26	WEY7000L0887	THRUST PLATE			1
27	WEY7440L3967	MOTOR MOUNTING PLATE			1
28	WEY7440L1187	STATOR			1
29	WEY7440L1467	MOTOR ROTOR ASSEMBLY			1
30	WEY7440L2307	MOTOR BRUSH ASSEMBLY			1
31	WEY6802S6187	SCREW	*C	B3-5	2
32	WEY7440L2007	SWITCH ASSEMBLY		(SH)	1
33	WEY7540L2157	BATTERY TERMINAL BLOCK			1
34	WEY6705L0376	ROLLER SET	*B	(6PCS/PK)	6
35	WEY7440L2117	CONTROL PCB			1
36	WEY7440K3958	OPERATION PANEL			1
37	WEY7540K3217	BELT HOOK SET			1
38	WEY7540K3187	BELT HOOK			1
39	WEY6470K3186	BELT HOOK BOLT			1
40	WEY7540H0407	HOOK RELEASE LEVER			1
41	WEY7540L0167	SPRING FOR RELEASE LEVER			1
42	WEY7440K9038	TAPPING SCREW	*C	K3*20	8
-	WEY9633K7018	TOOL CASE		(SH)	1
-	WEY7440K8109	OPERATING INSTRUCTIONS		(SH)	1

**Battery Pack is available as an optional accessory. See the nearest sales dealer for details.

***For replacement parts of charger, see the charger service manual.

Charger complete set is available as an optional accessory. See the nearest sales dealer for details.