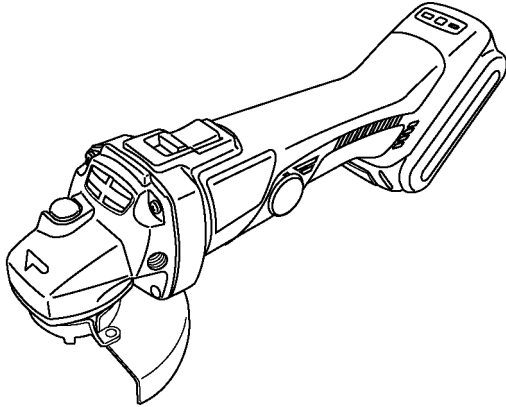


Service Manual

Cordless Angle Grinder

Model No. EY4640

Europe
Oceania



⚠ WARNING

This service information is designed for experienced repair technicians only and is not designed for use by the general public. It does not contain warnings or cautions to advise non-technical individuals of potential dangers in attempting to service a product. Products powered by electricity should be serviced or repaired only by experienced professional technicians. Any attempt to service or repair the product or products dealt with in this service information by anyone else could result in serious injury or death.

IMPORTANT SAFETY NOTICE

There are special components used in this equipment which are important for safety. These parts are marked by **⚠** in the Schematic Diagrams, Circuit Board Diagrams, Exploded Views and Replacement Parts List. It is essential that these critical parts should be replaced with manufacturer's specified parts to prevent shock, fire or other hazards. Do not modify the original design without permission of manufacturer.

TABLE OF CONTENTS

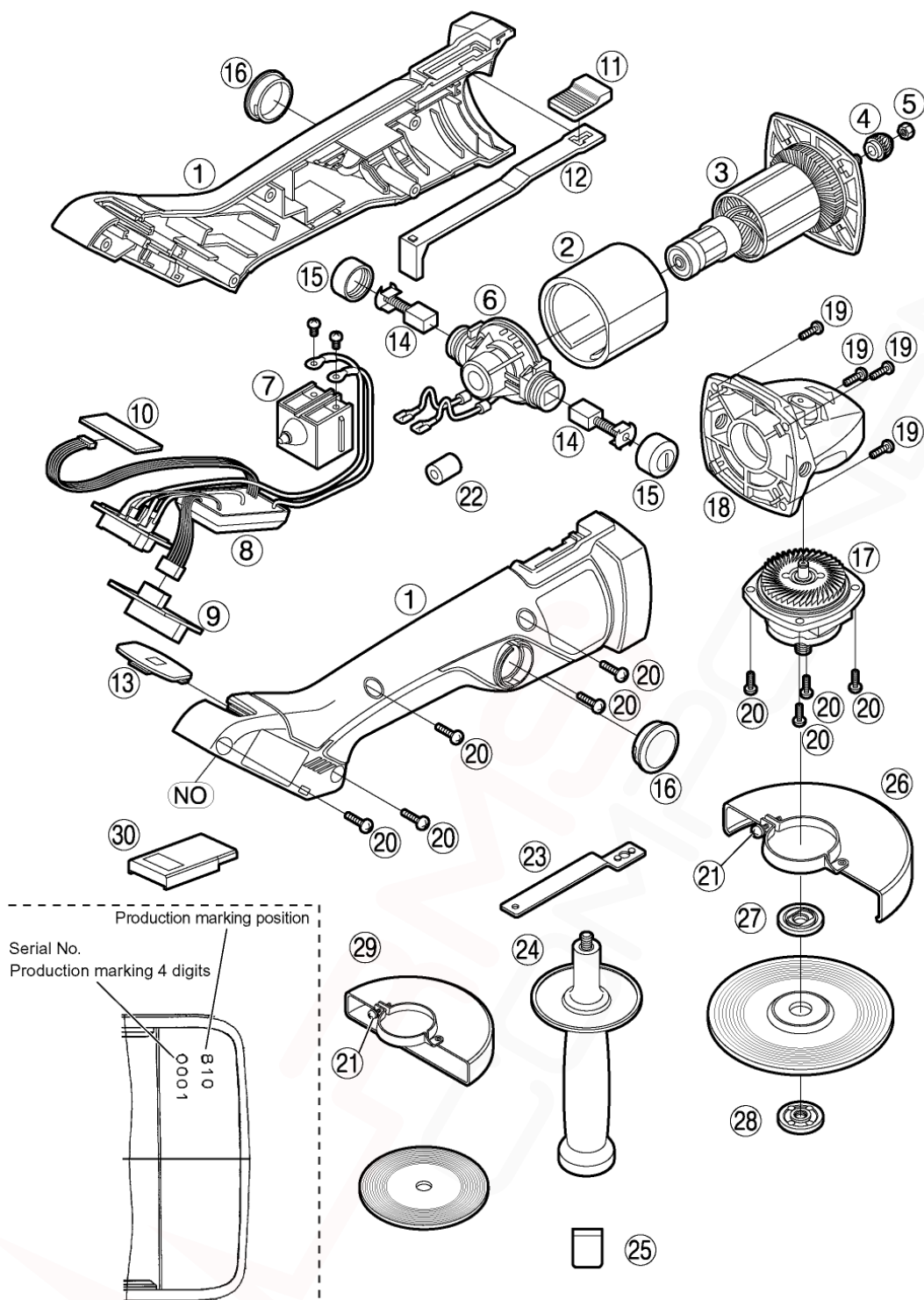
	PAGE	PAGE
1 Warning -----	2	
2 Specifications -----	2	
3 Troubleshooting Guide -----	3	
4 Disassembly and Assembly Instructions -----	5	
5 Wiring Connection Diagram -----	9	
6 Schematic Diagram -----	9	
7 Exploded View and Replacement Parts List -----	10	

Panasonic

© Panasonic Electric Works Co., Ltd. 2008.
All rights reserved. Unauthorized copying and distribution is a violation of law.

7 Exploded View and Replacement Parts List

Model No. : EY4640 Exploded View



** Battery Pack is available as an optional accessory. See the nearest sales dealer for details.

*** For replacement parts of charger, see the charger service manual.

Charger complete set is available as an optional accessory. See the nearest sales dealer for details.

Model No. : EY4640 Parts List

Safety	Ref. No.	Part No.	Part Name & Description	Q'ty	Remarks
	1	WEY4640K3079	HOUSING AB SET	1	(for EUROPE)
	1	WEY4640K3070	HOUSING AB SET	1	(for OCEANIA)
	2	WEY4640L1587	STATOR ASSEMBLY	1	
	3	WEY4640L1007	ROTOR ASSEMBLY	1	
	4	WEY4640L1457	PINION GEAR	1	
	5	WEY4640L6427	HEX NUT	1	(M6), (5PCS/PK)
	6	WEY4640L1038	BRUSH HOLDER	1	
	7	WEY4640K2007	SWITCH ASSEMBLY	1	
	8	WEY4640L2127	MAIN PCB ASSEMBLY	1	
	9	WEY4640L2107	TERMINAL PCB ASSEMBLY	1	
	10	WEY4640L2137	LED PCB ASSEMBLY	1	
	11	WEY4640L2017	SWITCH HANDLE	1	
	12	WEY4640L2917	SWITCH LEVER	1	
	13	WEY4640L3588	INDICATION PANEL	1	
	14	WEYT510L2317	BRUSH ASSEMBLY	2	(2PCS/PK)
	15	WEY4640L3117	BRUSH CAP	2	(2PCS/PK)
	16	WEY4640K3107	BRUSH CAP COVER	2	(2PCS/PK)
	17	WEY4640L4127	GEAR CASE ASSEMBLY	1	
	18	WEY4640L4098	GEAR CASE COVER ASSEMBLY	1	
	19	WEY4640L9447	TIGHT SCREW	4	(5PCS/PK)
	20	WEYT510L9447	TIGHT SCREW	9	(5PCS/PK)
	21	WEY4640L6257	TIGHT SCREW	1	(M5*18)
	22	WEY4640L0208	FERRITE CORE	1	
	23	WEY4640S7868	DISC WRENCH	1	
	24	WEY4640K3237	SUPPORT HANDLE	1	
	25	WEY4640L8917	GREASE	1	
	26	WEY4640K1188	GRINDING DISC GUARD	1	
	27	WEY4640K1168	DISC FLANGE	1	
	28	WEY4640K1178	CLAMP NUT	1	
	29	WEY4640K1198	CUT-OFF DISC GUARD	1	
	30	WEY9L40R2788	BATTERY PACK COVER	1	
	-	WEY9639K7018	TOOL CASE	1	<SH>
	-	WEY4640K8109	OPERATING INSTRUCTIONS	1	<SH>