

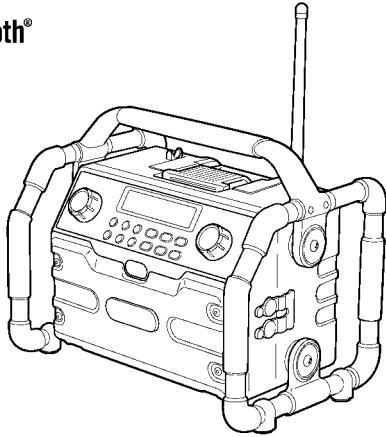
Service Manual

Portable Radio

Model No. **EY37A2**

Europe
Oceania

 Bluetooth®



WARNING

This service information is designed for experienced repair technicians only and is not designed for use by the general public. It does not contain warnings or cautions to advise non-technical individuals of potential dangers in attempting to service a product. Products powered by electricity should be serviced or repaired only by experienced professional technicians. Any attempt to service or repair the product or products dealt with in this service information by anyone else could result in serious injury or death.

IMPORTANT SAFETY NOTICE


There are special components used in this equipment which are important for safety. These parts are marked by  in the Schematic Diagrams, Circuit Board Diagrams, Exploded Views and Replacement Parts List. It is essential that these critical parts should be replaced with manufacturer's specified parts to prevent shock, fire or other hazards. Do not modify the original design without permission of manufacturer.

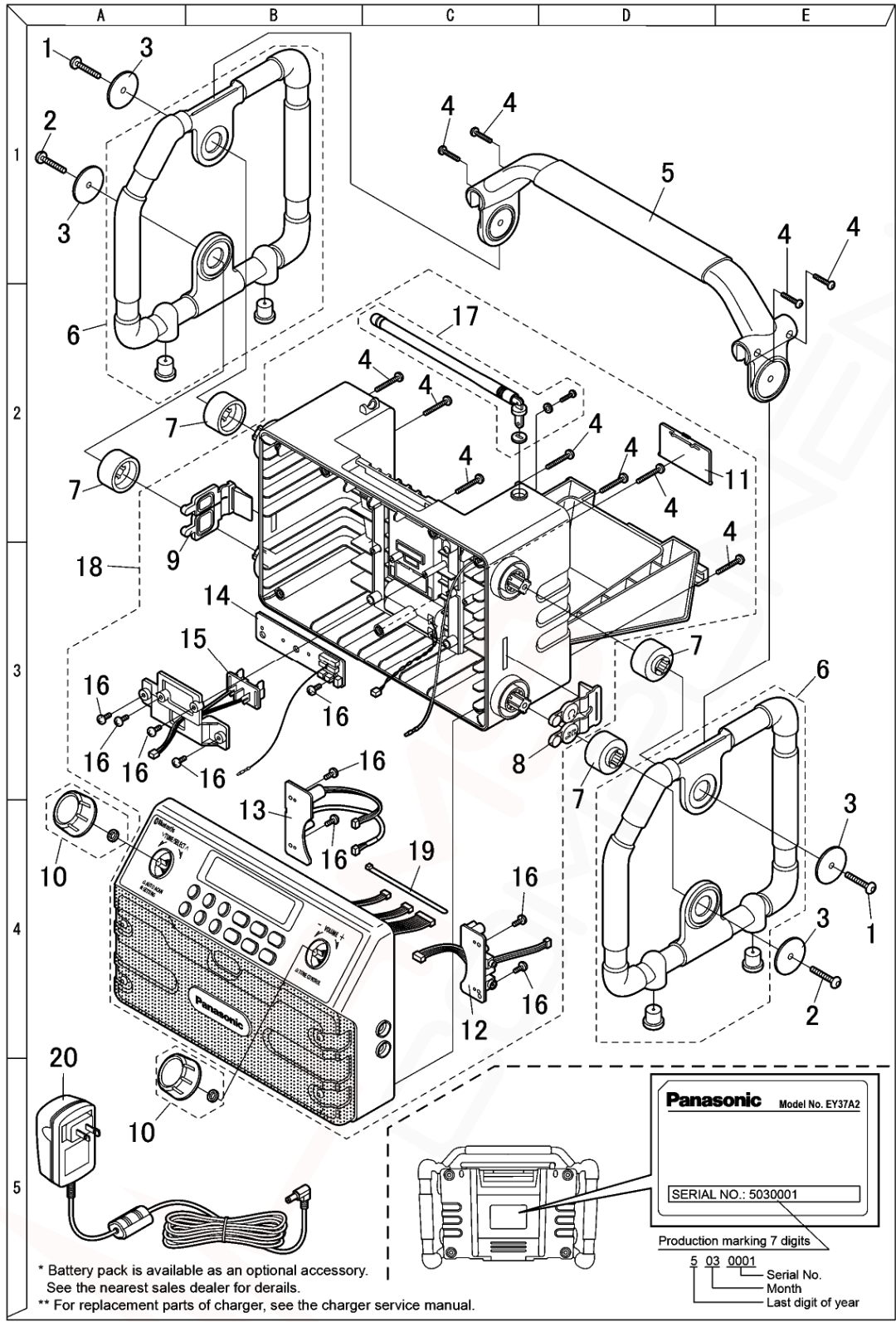
TABLE OF CONTENTS

	PAGE	PAGE
1 Warning-----	2	
2 Specifications-----	2	
3 Troubleshooting Guide-----	3	
4 Disassembly and Assembly Instructions-----	9	
5 Wiring Connection Diagram-----	19	
6 Schematic Diagram-----	20	
7 Exploded View and Replacement Parts List-----	21	

Panasonic®

© Panasonic Corporation 2015. All rights reserved.
Unauthorized copying and distribution is a violation
of law.

Model No. : EY37A2 Exploded View



* Battery pack is available as an optional accessory. See the nearest sales dealer for details.
 ** For replacement parts of charger, see the charger service manual.

Panasonic Model No. EY37A2

SERIAL NO.: 5030001

Production marking 7 digits

5 03 0001

- Serial No.
- Month
- Last digit of year

Model No. : EY37A2 Parts List

Change	Safety	Ref. No.	Part No.	Part Name & Description	Q'ty	Remarks
		1	WEY37A2K9597	SCREW	2	(6*31), (2PCS/PK)
		2	WEY37A2K9507	SCREW	2	(6*25), (2PCS/PK)
		3	WEY37A2S0207	METAL PLATE	4	
		4	WEY37A2K6127	TORX SCREW	11	(3*20), (4PCS/PK)
		5	WEY37A2K0087	HANDLE	1	
		6	WEY37A2K0097	PROTECTIVE FRAME ASSEMBLY	1	
		7	WEY37A2K0317	RUBBER CUSHION	4	
		8	WEY37A2H3127	DC SOCKET COVER	1	
		9	WEY37A2H3137	USB SOCKET COVER	1	
		10	WEY37A2K4497	KNOB SET ASSEMBLY	1	(2PCS/SET)
		11	WEY37A2K3127	BACKUP COVER	1	
		12	WEY37A2L2147	DC/EP SOCKET CIRCUIT ASSEMBLY	1	
		13	WEY37A2L2167	USB/AUX SOCKET CIRCUIT ASSEMBLY	1	
		14	WEY37A2L2107	COMMUNICATIONS CONNECTOR CIRCUIT ASSEMBLY	1	
		15	WEY37A2L2157	BATTERY TERMINAL ASSEMBLY	1	
		16	WEY37A2K9057	TAPPING SCREW	9	(3*8), (5PCS/PK)
		17	WEY37A2K4347	SOFT BENDED ANTENNA ASSEMBLY	1	
		18	WEY37A2K4008	RADIO ASSEMBLY	1	(for Europe)
		18	WEY37A2K4009	RADIO ASSEMBLY	1	(for UK)
		18	WEY37A2K4010	RADIO ASSEMBLY	1	(for Australia)
		19	WEY0L81L0207	CABLE TIE	1	
		20	WEY37A2K7658	AC ADAPTER	1	(for Europe)
		20	WEY37A2K7659	AC ADAPTER	1	(for UK)
		20	WEY37A2K7650	AC ADAPTER	1	(for Australia)
		-	WEY37A2B8108	OPERATING INSTRUCTIONS	1	