

Electrolux

ELECTROLUX HOME PRODUCTS PTY LTD

ABN 51 004 762 341

Technical Publication N° CE642.docx

Issue: 1

Date: 2/15

ELECTROLUX

ELECTRIC

BUILT IN OVENS

MODELS:

EVEP613SA

PNC 944031652

EVEP616BA

PNC 944031655

First Built Dates:	
EVEP613SA	9-13
EVEP616BA	9-13

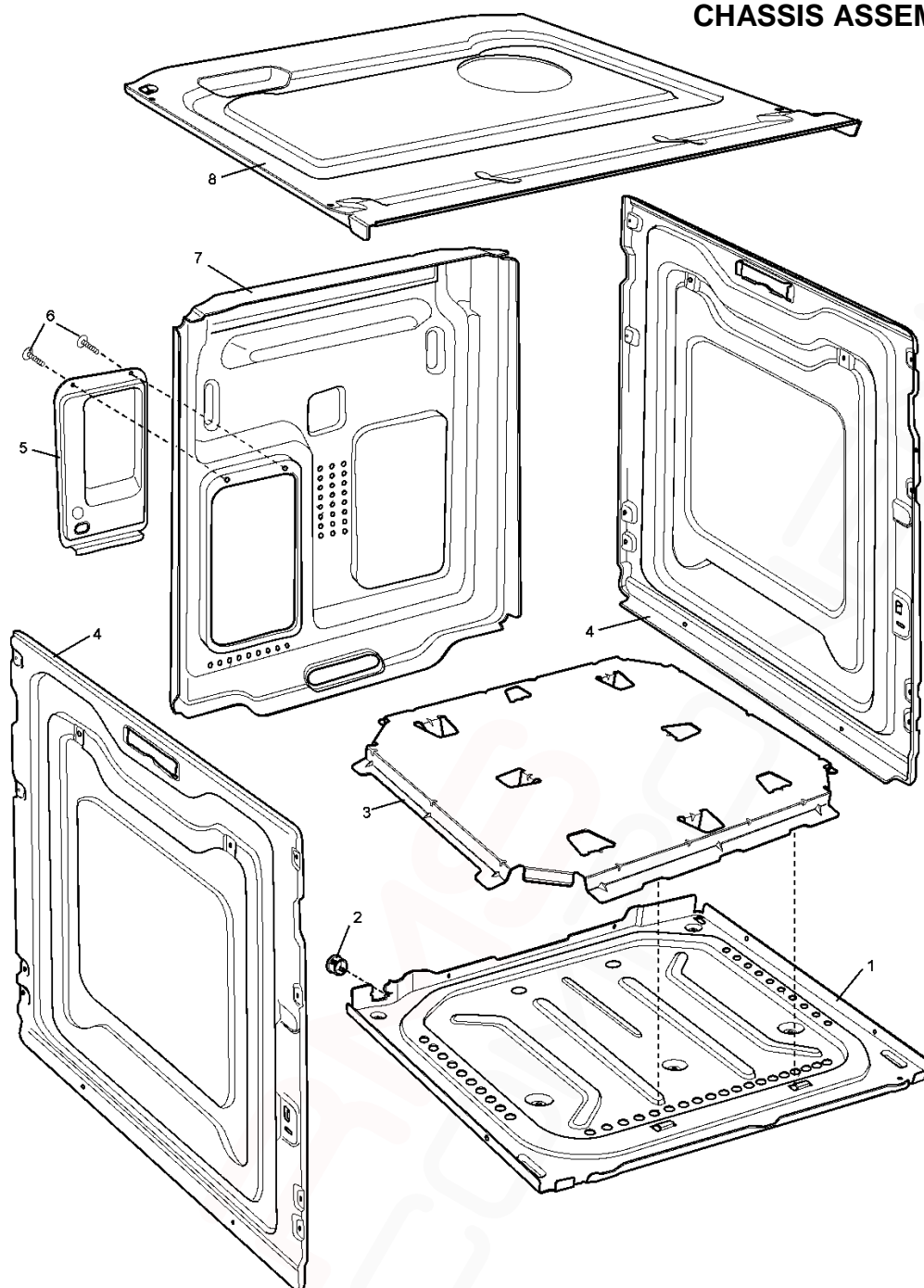
CONTENTS	PAGE N°
FIRST BUILT DATES	2
CONTENTS	3
CHASSIS ASSEMBLY	4
FRONT FRAME ASSEMBLY	5
OVEN ASSEMBLY	6 - 7
PANEL DECK ASSEMBLY	8 - 9
CONTROL PANEL ASSEMBLY	10
INTERNAL PACK	11
OVEN DOOR ASSEMBLY	12 - 13
CIRCUIT DIAGRAM	14

NOTE: In Parts Listings

N.I. = Not Illustrated
N.P.A. = No Part Available
N.P.N. = Not Used on this Model

MODELS: EVEP613SA

EVEP616BA

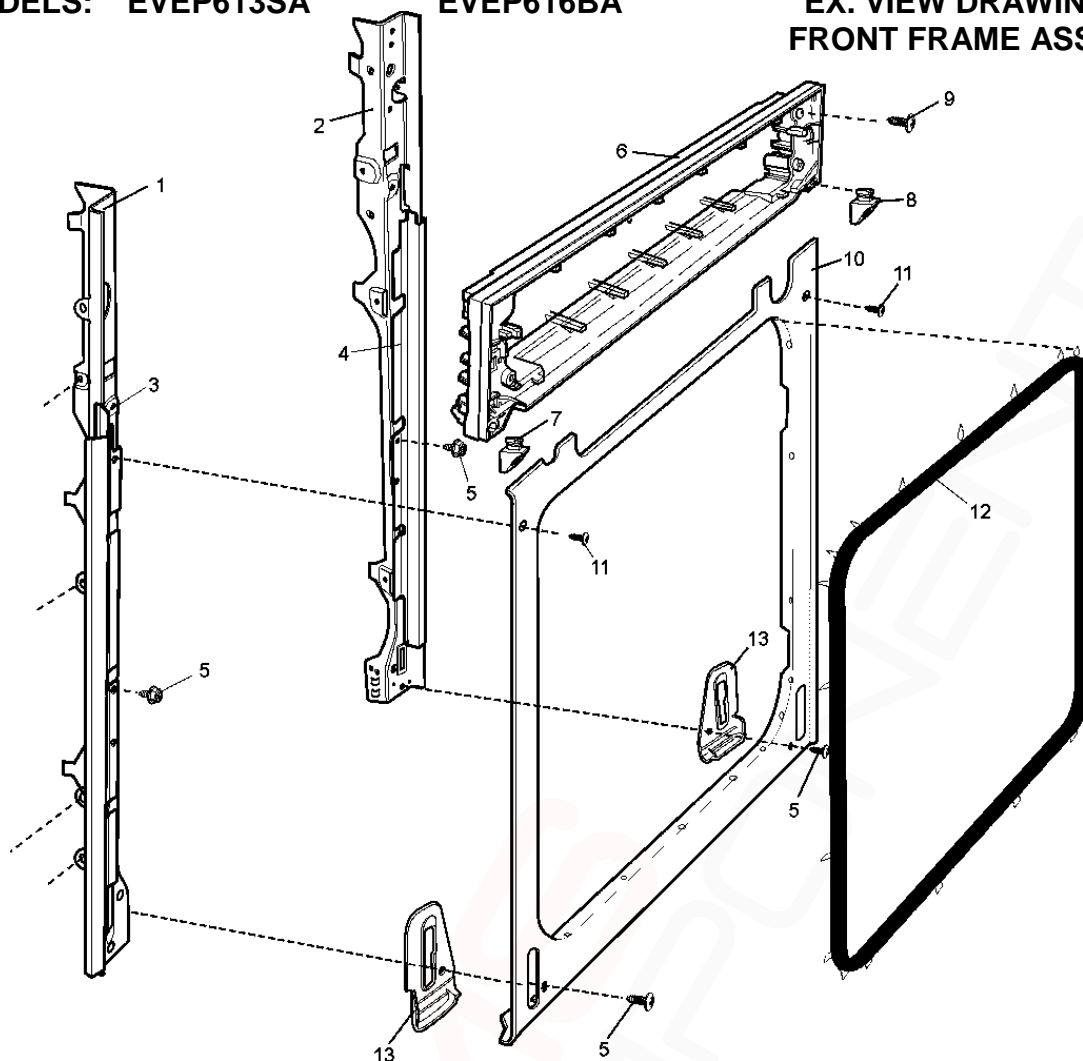
EX. VIEW DRAWING 5525
CHASSIS ASSEMBLY

ITEM	PART N°	DESCRIPTION	Ex. 5525	QTY
1	0038 003 291	PANEL BASE BIOS		1
2	0049 001 206	PLUG DOME MDP16		1
3	0028 025 404	COVER BASE PANEL SHIELD BIOS		1
4	0038 006 854	PANEL SIDE UB BIOS		2
5	0022 041 136	PLATE CVR TERM ELEC BIOS		1
6	0701 009 033	SCREW #8 X 8MM HEX/MULTI		X
7	0038 008 177	PANEL COVER WIRE UB 36MM		1
8	0038 005 658	PANEL TOP NGP		1
N.I.	0701 009 041	SCREW #6 X 13MM HEX		2

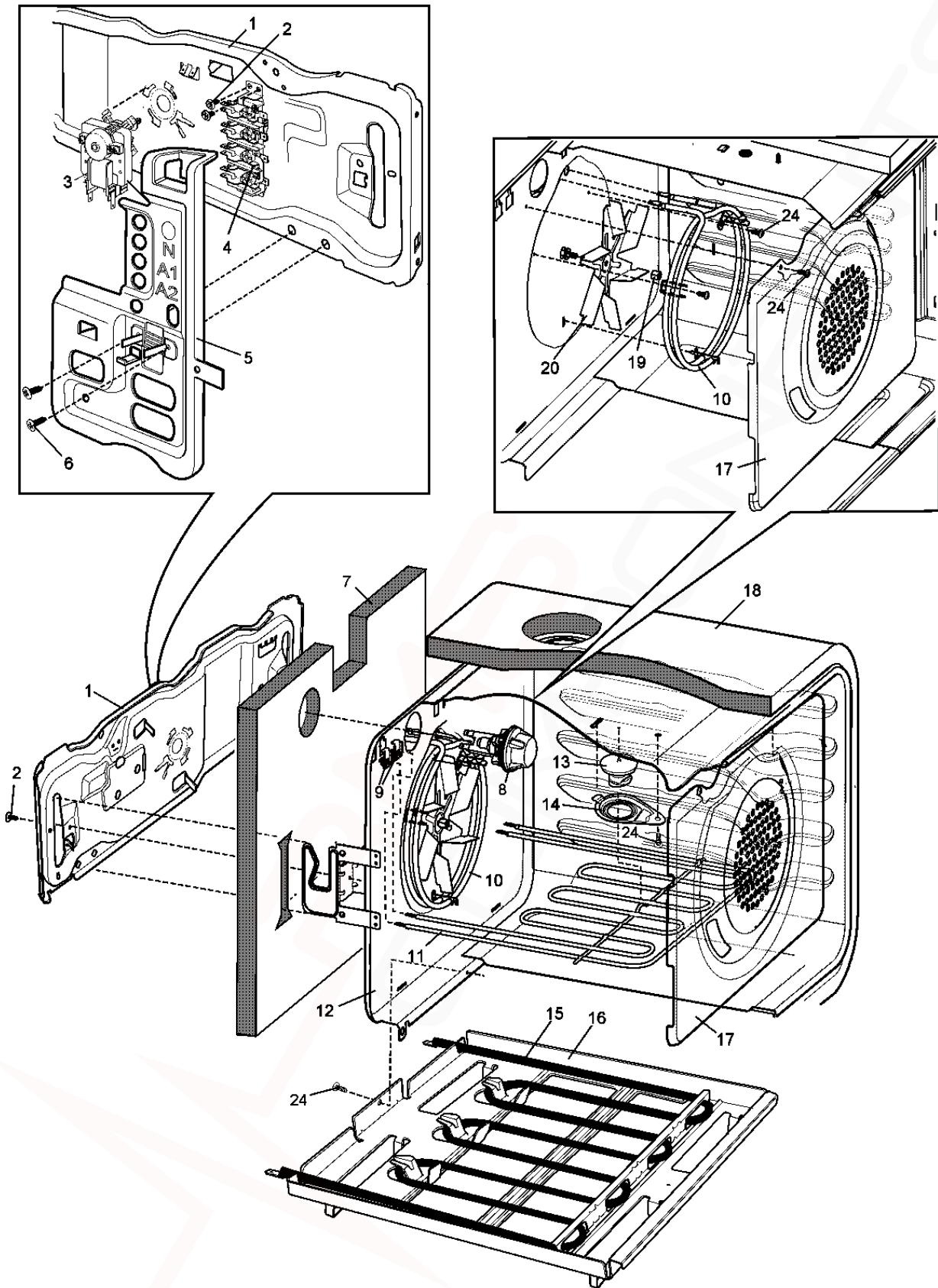
MODELS: **EVEP613SA**

EVEP616BA

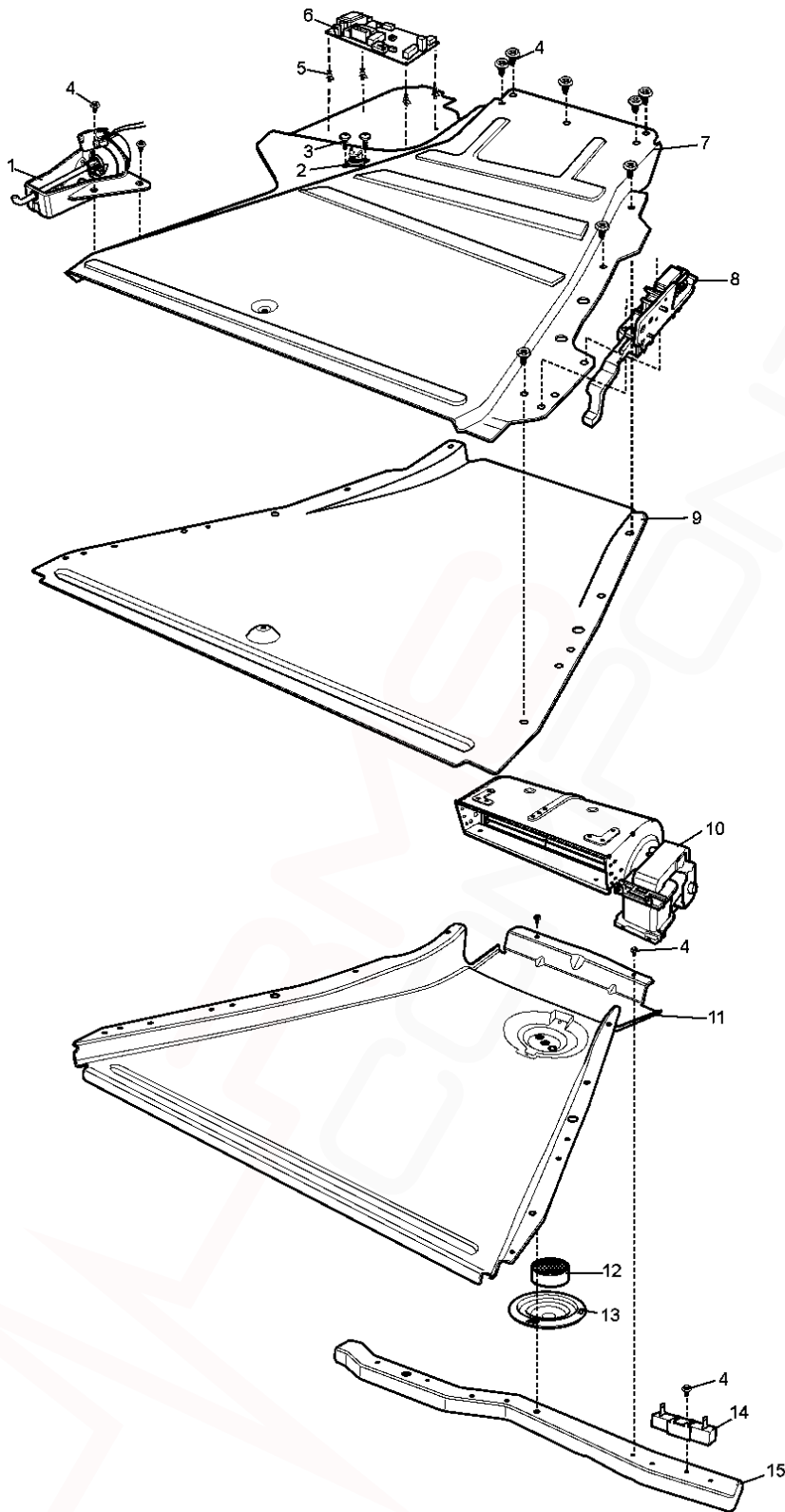
**EX. VIEW DRAWING 6518
FRONT FRAME ASSEMBLY**



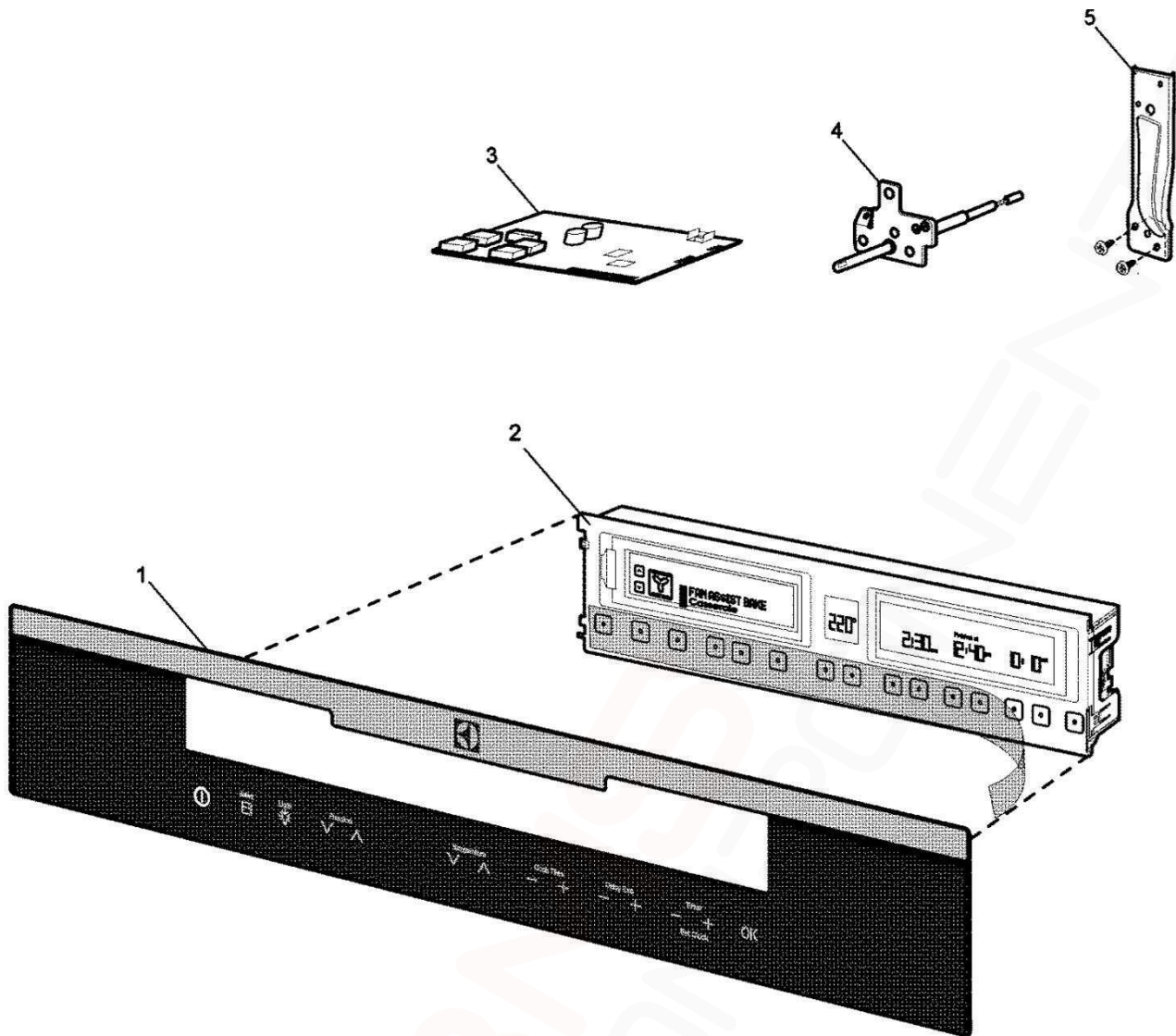
ITEM	PART N°	DESCRIPTION	Ex. 6518	QTY
1	*0048 004 777	CHANNEL FRONT UB LH BIOS WELD		1
2	*0048 004 776	CHANNEL FRONT UB RH BIOS WELD		1
3	*0545 002 875	TRIM PYRO FF SS LEFT		1
4	*0545 002 876	TRIM PYRO FF SS RIGHT		1
5	*0701 009 027	SCREW #8 X 1/2 MUSH #2PH AB BK		X
6	0545 002 740	TRIM SURROUND C/P PYRO BIOS		1
7	0125 008 375	CLIP INSTALL BIOS LH		1
8	0125 008 360	CLIP INSTALL BIOS RH		1
9	0701 009 040	SCREW #8X 45 PAN QUARDREX		2
10	0081 009 966	FRAME FRONT ENAM U/B PYRO BIOS		1
11	0750 003 032	SCREW M4X0.7X10 MUSH QUADREX		2
12	0208 003 449	SEAL OVEN DOOR PYRO BIOS		1
13	0545 002 881	TRIM HINGE SGWO-PYRO BIOS 2		2
N.I.	*0708 001 076	RIVETT POP 3.2 X 8 STL-TEXTRON		4
N.I.	0545 002 884	TRIM DOOR SWITCH PYRO		1
NOTE * ITEMS AVAILABLE AS KITS L/H 0609 100 381 R/H 0609 100 380				



ITEM	PART N°	DESCRIPTION Ex 7888	QTY
1	0489 001 174	BRACE OVEN REAR B/I BIOS	1
2	0701 009 033	SCREW #8 X 8MM HEX/MULTI	2
3	0214 002 118	MOTOR FAN OVEN - BIOS	1
4	0003 012 590	BAR CONNECTOR W/EARTH BIOS	1
5	0349 001 376	SHIELD WIRING TERMINAL BIOS	1
6	0701 002 133	SCREW #6 4.2X28 HILO PAN	X
7	0374 005 235	INSULATION OVEN BACK PYRO BIOS	1
8	0212 002 110	HOLDER LAMP REAR PYRO BIOS	1
	ES6023	LAMP G9 PYRO 240V 25W (PT OF ITEM 8)	1
9	0125 008 345	CLIP ELEMENT MOUNT OC98/UC20	4
10	0122 004 574	ELEMENT FAN RING EGO	1
11	0122 004 573	ELEMENT G/BOOST 3000W - PYRO	1
12	N.P.A.	OVEN ENAM FRM ELEC PYRO	1
13	0046 001 029	LATCH ELEMENT SUPPORT SINTERED	1
14	0028 025 403	COVER RETAINING LATCH	1
15	0122 004 577	ELEMENT C/HEAT 1800W NO EARTH	1
16	0028 025 418	COVER CLEAN HEAT FULL GALV BIO	1
17	0038 016 777	PANEL FAN COVER ELEC ENAM BIOS	1
18	0374 005 244	INSULATION OVEN WRAP PYRO NGD	1
19	0065 009 265	NUT M6 L/H FAN MOTOR	1
20	0026 001 042	FAN IMPELLER OVEN BIOS	1
24	0701 009 051	SCREW #8 X 1/2 MUSH #2PH AB BK	3
N.I.	389 0815 01	SENSOR 0VC2000 P/B 550MM	1
N.I.	0701 002 113	SCREW #6 X 9.5 PAN PHIL ZC	1



ITEM	PART N°	DESCRIPTION	Ex 8008	QTY
1	0478 001 003	LOCK DOOR ASSY CAST PYRO 3000		1
	387 8011 00	SWITCH MICRO (PT OF ITEM 1 & 8)		2
2	0541 001 269	THERMAL CUTOUT 120 DEG N.C. 16A		1
3	0701 002 113	SCREW #6 X 9.5 PAN PHIL ZC		1
4	0701 009 027	SCREW #8 X 1/2 MUSH #2PH AB BK		2
5	0627 001 002	CLIP POWERBOARD STANDOFF		4
6	387 8401 02	POWERBOARD OVC3000		1
7	0559 001 095	DUCT PLATE TOP PYRO		1
8	0534 001 774	SWITCH DOOR LIGHT ASSY PYRO		1
9	0559 001 097	DUCT PLATE MID PYRO		1
10	387 1763 06	MOTOR FAN COOLING PYRO		1
11	0559 001 096	DUCT PLATE BOTTOM PYRO		1
12	337 0874	CATALYSER		1
13	0125 008 386	RETAINER PYRO CATALYSER		1
14	387 1167 05	RESISTOR 1050 OHM 20W PYRO		1
15	0030 024 254	BKT REAR DECK PYRO BIOS		1
N.I.	0633 001 001	RELAY 30A SINGLE POLE 240V		1
N.I.	0173 100 387	HARNESS OVC3000 DOOR SWITCH		1
N.I.	0701 009 033	SCREW #8 X 8MM HEX/MULTI		X
N.I.	0702 007 064	SCREW #4 X16 T25 W/HD PHIL#2		3

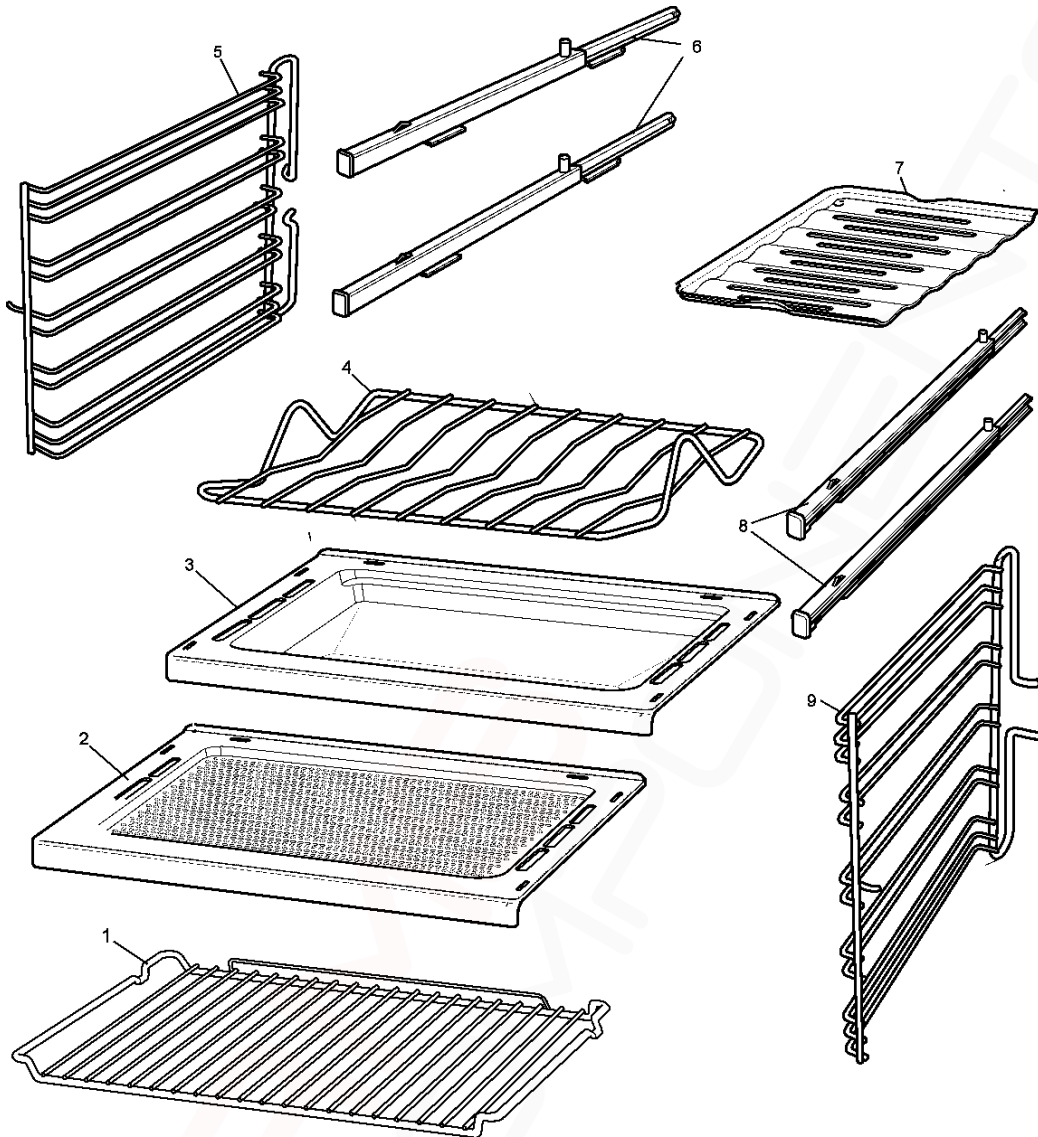


ITEM	PART N°	DESCRIPTION	Ex 8083	613	616
1	0255 004 074	GLASS & CLIPS EVE613SA RUBY		1	
	0255 004 063	GLASS & CLIPS EVE616SA RUBY			1
2	0628 001 096	CONTROL IOI GEN3 PROG EVEP613S		1	
	0628 001 102	CONTROL IOI GEN3 PROG EVEP616S			1
3	387 8401 04	POWERBOARD OVC 3000 - EOS		1	1
4	389 0818 01	TEMPERATURE SENSOR PT500		1	1
5	0030 024 212	BRACKET KRONOS PROBE MOUNT BIO		1	1
N.I.	0173 100 437	SENSOR CABLE - 500MM		1	1
N.I.	0173 100 284	WIRING HARNESS IOI INT/FACE PY		1	1
N.I.	0173 100 248	WIRE HARNESS BIOS DOOR SWITCH		1	1

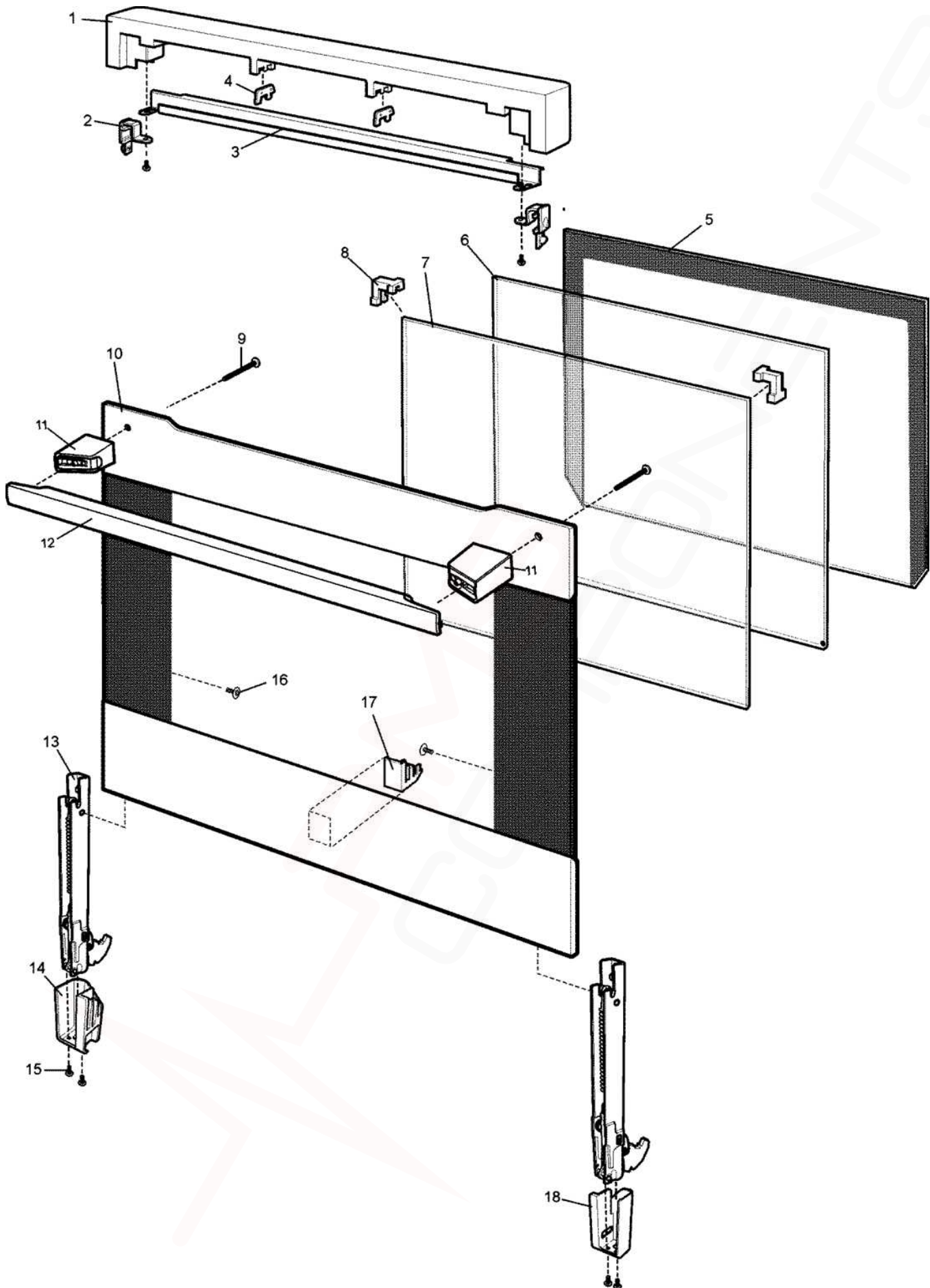
MODELS: EVEP613SA

EVEP616BA

EX. VIEW DRAWING 7720
INTERNAL PACK



ITEM	PART N°	DESCRIPTION	Ex 7720	QTY
1	0327 001 292	RACK SHELF OVEN ELUX EVOLVE		2
2	0037 004 039	TRAY BAKING PREMIUM ENAM BIOS		1
3	0036 001 117	DISH ROASTING DEEP ENAM NGD		1
4	0327 001 318	RACK INSERT ROASTING WIRE		1
5	0327 001 293	RACK SIDE OVEN SLIDE ELUX LHS		1
6	0024 010 115	SLIDE OVEN HETTICH LHS		2
7	0028 025 444	COVER GRILL DISH SPLIT ENAMEL		2
8	0024 010 116	SLIDE OVEN HETTICH RHS		2
9	0327 001 294	RACK SIDE OVEN SLIDE ELUX RHS		1
N.I.	0701 003 070	SCREW #6 X 25 CSK #2PH AB BK		2
N.I.	0701 003 073	SCREW #8 X 5/8 CSK (INSTALL)		2
N.I.	0701 002 133	SCREW #8 4.2 X 28 HILO PAN PH		2
NOTE: 0327 001 317 RACK PACK 292/293/294/318 NGD INC ITEMS 1, 4, 5 & 9				



ITEM	PART N°	DESCRIPTION Ex 8053	S	B
1	0545 002 664	TRIM VENT COOL DOOR BIOS	1	1
2	0125 008 389	CLIP TRIM DOOR PYRO	2	2
3	0545 002 851	TRIM DOOR STAINLESS STEEL PYRO	1	1
4	0589 001 040	BUMPER TOP TRIM PYRO	2	2
5	0255 003 567	GLASS DOOR INNER #1 PYRO	1	1
6	^0255 003 566	GLASS DR MID REFL 1 SIDE PYRO	1	1
7	0255 003 823	GLASS DR MID REFL 2 SIDE PYRO	1	1
8	0271 001 320	SPACER RUBBER GLASS PYRO	2	2
9	0750 003 043	SCREW, M4x0.7x53 PAN HEAD	2	2
10	0038 002 925	PNL DR OUT ASSY PYRO RUBY CORE	1	
	0038 002 924	PNL DR OUT ASSY PYRO RUBY PREM		1
11	0271 001 367	SPACER HANDLE RUBY CORE PYRO	2	
	0271 001 368	SPACER HANDLE RUBY PREM PYRO		2
12	0050 010 804	HANDLE DOOR PYRO RUBY	1	1
13	0045 001 087	HINGE OV DOOR PYRO S/F BIOS	2	2
14	0028 025 409	COVER HINGE DOOR PYRO LH	1	1
15	0701 002 113	SCREW #6 X 9.5 PAN PHIL ZC	4	4
16	0702 007 060	SCREW #4 X12 T25 W/HD PHIL#2	3	3
17	0271 001 331	SPACER DOOR BOTTOM PYRO	1	1
18	0028 025 408	COVER HINGE DOOR PYRO RH	1	1
N.I.	0589 001 038	BUMPER SUPPORT PYRO BORO GLASS	6	6
N.I.	*0271 001 332	SPACER HANDLE PYRO	2	2
N.I.	0271 001 344	SPACER HANDLE PYRO EBONY	2	2
N.I.	0271 001 366	SPACER HANDLE GLS DR RUBY	2	2
* NOTE: SILATIC (PT N° 0393 001 065) HAS BEEN USED ON THESE PARTS				
^ NOTE: MARK ON THE BOTTOM RIGHT DENOTES GLASS ORIENTATION				