

# Service Manual

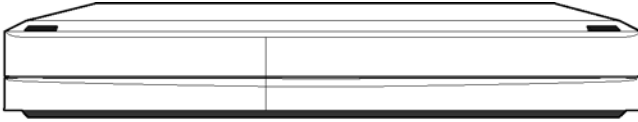
Blu-ray Disc Recorder

Model No. **DMR-BW500GN**

Vol. 1

Colour

(K).....Black Type



When replacing Power/ Timer P.C.B. or EEPROM, "UNFORMAT" indication is displayed and HDD must be formatted.

When replacing HDD, it is necessary to update the firmware.

Please prepare the update disc.  
(After that, FORMAT is necessary)

After that, **programme in the HDD will be lost.**  
In detail, please refer to each content in this service manual.

Java and all Java-based trademarks and logos are trademarks or registered trademarks of Sun Microsystems, Inc. in the United States and other countries.

Manufactured under license from Dolby Laboratories.  
Dolby and the double-D symbol are trademarks of Dolby Laboratories.

"DTS" is a registered trademark of DTS, Inc. and "DTS-HD Advanced Digital Out" is a trademark of DTS, Inc.

This product incorporates copyright protection technology that is protected by U.S. patents and other intellectual property rights. Use of this copyright protection technology must be authorized by Macrovision, and is intended for home and other limited viewing uses only unless otherwise authorized by Macrovision. Reverse engineering or disassembly is prohibited.

- SDHC Logo is a trademark.
- Portions of this product are protected under copyright law and are provided under license by ARIS/SOLANA/4C.

HDMI, the HDMI logo and High-Definition Multimedia Interface are trademarks or registered trademarks of HDMI Licensing LLC.

This product is licensed under the AVC patent portfolio license and VC-1 patent portfolio license for the personal and non-commercial use of a consumer to (i) encode video in compliance with the AVC Standard and VC-1 Standard ("AVC/VC-1 Video") and/or (ii) decode AVC/VC-1 Video that was encoded by a consumer engaged in a personal and non-commercial activity and/or was obtained from a video provider licensed to provide AVC/VC-1 Video. No license is granted or shall be implied for any other use. Additional information may be obtained from MPEG LA, LLC. See <http://www.mpegla.com>.

"AVCHD" and the "AVCHD" logo are trademarks of Matsushita Electric Industrial Co., Ltd. and Sony Corporation.

HDAVI Control™ is a trademark of Matsushita Electric Industrial Co., Ltd.

"Blu-ray Disc" is trademark.

"BONUSVIEW" is trademark of Blu-ray Disc Association.

DMR-BW500GNK

Ref.No.	Part No.	Part Name & Description	Pcs	Remarks	Ref.No.	Part No.	Part Name & Description	Pcs	Remarks
##	VEP74116A	OPT CORE P.C.B.		(RTL)	C7553	ECJ1XB1C104K	16V 0.1U	1	
C4801	F2A1E470A205	25V 47U	1		C7554	ECJ1XB1C104K	16V 0.1U	1	
C4802	ECJ1XB1C104K	16V 0.1U	1		C7560	ECJ1VB1H103K	50V 0.01U	1	
C4803	F2A1E470A205	25V 47U	1		C7561	ECJ1VF1C104Z	16V 0.1U	1	
C4804	ECJ1XB1C104K	16V 0.1U	1		C7587	ECJ1VB1A105K	10V 1U	1	
C4805	ECJ1XB1C104K	16V 0.1U	1		△ C11101	ECQU2A683MLC	0.068U	1	
C4806	F2A0J470A599	6.3V 47U	1		△ C11102	ECKWNA102MEV	1000P	1	
C4807	F2A1C470B298	16V 47U	1		△ C11103	ECKWNA102MEV	1000P	1	
					△ C11104	ECQU2A223MLC	0.022U	1	
					C11107	F2B2G8200010	400V 82U	1	
					△ C11109	ECKWNA102MEV	1000P	1	
JK4801	K2YZ02000037	JACK.DIGITAL AUDIO OUT	1		C11201	F1B3A2220009	1000V 2200U	1	
					C11202	F2A1H1010042	50V 100U	1	
L4801	G0C220JA0019	COIL 22UH	1		C11203	ECJ1XC1H151J	50V 150P	1	
					C11204	ECJGV1H332K	50V 3300P	1	
P4801	K1KB05B00022	CONNECTOR(5P)	1		C11205	ECJ1VB1H102K	50V 1000P	1	
					C11206	F1B3D331A011	330P	1	
Q4801	B1ABDF000026	TRANSISTOR	1		C11302	F2A1H1010042	50V 100U	1	
					C11303	ECJ2VC1H221J	50V 220P	1	
R4801	ERJ3GEYJ470	1/10W 47	1		C11304	ECJ1VB1H332K	50V 3300P	1	
R4802	D0GB102JA057	1/10W 1K	1		C11305	ECJGV1H102K	50V 1000P	1	
R4803	D0GB102JA057	1/10W 1K	1		C11306	F1B3D221A011	220P	1	
R4804	D0GB102JA057	1/10W 1K	1		C12105	ECJ1XB1C104K	16V 0.1U	1	
R4805	ERJ3GEYJ221	1/10W 220	1		C12106	ECJ2VB1E473K	25V 0.047U	1	
R4806	ERJ3EK75R0	1/10W 75	1		C12202	ECJ1XB1C104K	16V 0.1U	1	
R4807	D0GB103JA057	1/10W 10K	1		C12203	ECJ2VB1E473K	25V 0.047U	1	
					△ C13104	F2A1C2220080	2200P	1	
##	RFKB71132A	POWER/TIMER P.C.B.		(RTL)	C13105	F2A1C1020095	16V 1000U	1	
					C13201	F2A1C1520021	16V 1500U	1	
C1601	F2A1A1810008	10V 180U	1		C13202	F2A1C1520021	16V 1500U	1	
C1605	F2A1A1810008	10V 180U	1		C13203	F2A1C5610006	16V 560U	1	
C1651	ECJ1VB1A105K	10V 1U	1		C14201	F2A1C1210022	16V 120P	1	
C1652	ECJ1VB1A105K	10V 1U	1		C14202	F2A1C1210022	16V 120P	1	
C1653	ECJ1VB1H103K	50V 0.01U	1		C14203	ECJ2YB1C105K	16V 1U	1	
C1657	ECJ1VB0J105K	6.3V 1U	1		C14204	ECJ1XB1C104K	16V 0.1U	1	
C1658	ECJ1VB1H103K	50V 0.01U	1		C14205	ECJ1XB1C104K	16V 0.1U	1	
C1661	ECJ1VB1H103K	50V 0.01U	1		C14206	ECJ1XC1H181J	50V 180P	1	
C1662	ECJ1VB1A105K	10V 1U	1		C14207	ECJGV1H103K	50V 0.01U	1	
C1663	ECJ1VB1A105K	10V 1U	1		C14208	F1K1C106A062	16V 10U	1	
C3801	ECJ1VB1H102K	50V 1000P	1		C14209	F2A1A6810017	10V 680U	1	
C3803	ECJ1VB1H102K	50V 1000P	1		C14301	F2A1C1210022	16V 120P	1	
C3804	ECJ1XB1C104K	16V 0.1U	1		C14302	ECJ2YB1C105K	16V 1U	1	
C6801	ECJ1VB1H103K	50V 0.01U	1		C14303	ECJ1XB1C104K	16V 0.1U	1	
C6804	ECJ1XB1C104K	16V 0.1U	1		C14304	ECJ1XB1C104K	16V 0.1U	1	
C6805	ECJ2FB0J106K	6.3V 10U	1		C14305	ECJ1XC1H181J	50V 180P	1	
C6806	ECJ2FB0J106K	6.3V 10U	1		C14306	ECJGV1H103K	50V 0.01U	1	
C6807	ECJ2FB0J106K	6.3V 10U	1		C14307	F1K1C106A062	16V 10U	1	
C6808	ECJ2FB0J106K	6.3V 10U	1		C14308	F2A1A6810017	10V 680U	1	
C6809	ECJ1XB1C104K	16V 0.1U	1		C14401	F2A1C1210022	16V 120P	1	
C6810	ECJ1XB1C104K	16V 0.1U	1		C14402	ECJ2YB1C105K	16V 1U	1	
C6811	F2A1C1210017	16V 120P	1		C14403	ECJ1XB1C104K	16V 0.1U	1	
C6812	ECJ1XB1C104K	16V 0.1U	1		C14404	ECJ1XB1C104K	16V 0.1U	1	
C7507	ECJ1XB1C104K	16V 0.1U	1		C14405	ECJ1VC1H270J	50V 27P	1	
C7512	ECJ1VC1H100C	50V 10P	1		C14406	ECJGV1H103K	50V 0.01U	1	
C7513	ECJ1VC1H100C	50V 10P	1		C14407	F1K1C106A062	16V 10U	1	
C7516	ECJ1VC1H180J	50V 18P	1		C14408	F2A1A6810017	10V 680U	1	
C7517	ECJ1VC1H180J	50V 18P	1						
C7518	ECJ1XC1H220J	50V 22P	1		D7501	MA165TA5	DIODE	1	
C7519	ECJ1VC1H180J	50V 18P	1		D7502	MAZ4180NHF	DIODE	1	
C7522	ECJ1XC1H101J	50V 100P	1		D7503	BOBA03600021	DIODE	1	
C7523	ECJ1VB1A105K	10V 1U	1		D7504	BOJAMD000026	DIODE	1	
C7524	ECJ1VB1H102K	50V 1000P	1		D7505	BOAADM000003	DIODE	1	
C7525	ECJ1VB1H102K	50V 1000P	1		D7506	BOAADM000003	DIODE	1	
C7526	ECJ1VB1H102K	50V 1000P	1		D7507	MAZ4220NMF	DIODE	1	
C7527	ECJ1VB1H103K	50V 0.01U	1		D10101	MA2J11100L	DIODE	1	
C7529	F2A0J471A832	6.3V 470U	1		D10102	MA2J11100L	DIODE	1	
C7531	F2A0J471A832	6.3V 470U	1		D10103	ERJ6GEY0R00V	1/8W 0	1	
C7533	F4D55473A013	5.5V 0.047	1		D11101	BOEDKT000009	DIODE	1	
C7535	ECJ1XB1C104K	16V 0.1U	1		D11201	AP01C	DIODE	1	
C7544	F2A1H220B040	50V 22U	1		D11202	BOAADM000003	DIODE	1	
C7547	F2A1C221B111	16V 220U	1		D11203	MAZ81000ML	DIODE	1	
C7548	ECJ1VB1H103K	50V 0.01U	1		D11204	MA2J11100L	DIODE	1	
C7549	F2A1C221B111	16V 220U	1		D11205	AP01C	DIODE	1	
C7550	F2A1V470A831	35V 47U	1		D11206	MAZ73000BC	DIODE	1	
C7551	ECQB1H392KF3	50V 3900P	1		D11207	MAZ4160NMF	DIODE	1	
C7552	F2A1H220B040	50V 22U	1		D11302	BOAADM000003	DIODE	1	
					D11303	MAZ81000ML	DIODE	1	

DMR-BW500GNK

Ref.No.	Part No.	Part Name & Description	Pcs	Remarks	Ref.No.	Part No.	Part Name & Description	Pcs	Remarks
D11304	MA2J11100L	DIODE	1		LB7506	ERJ3GEY0R00	1/10W 0	1	
D11305	AP01C	DIODE	1		LB7507	ERJ3GEY0R00	1/10W 0	1	
D11306	MAZ73000BC	DIODE	1		LB7508	ERJ3GEY0R00	1/10W 0	1	
D11307	B0AADM000003	DIODE	1		LB11101	J0JGC0000020	COIL	1	
D13102	B0JBSG000048	DIODE	1		LB11102	J0JGC0000020	COIL	1	
D13201	B0JBSG000040	DIODE	1		LB14201	J0JHC0000048	FILTER	1	
D14201	B0JCPD000021	DIODE	1		LB14301	J0JHC0000048	FILTER	1	
D14202	B0JCPD000021	DIODE	1		LB14401	J0JHC0000048	FILTER	1	
D14301	B0JCPD000021	DIODE	1						
D14302	B0JCPD000021	DIODE	1		P1601	K1KA04AA0193	CONNECTOR(4P)	1	
D14401	B0JCPD000021	DIODE	1		P1602	K1KA04AA0301	CONNECTOR(4P)	1	
D14402	B0JCPD000021	DIODE	1		P3801	K1KA04AA0193	CONNECTOR(4P)	1	
					P3802	K1KA07AA0193	CONNECTOR(7P)	1	
△ F11101	K5D202BK0005	FUSE	1		P6701	K1KY09AA0606	CONNECTOR(9P)	1	
					P6702	K1KY23AA0606	CONNECTOR(23P)	1	
IC1601	C0EBK0000206	IC	1		P6703	K1KY23AA0606	CONNECTOR(23P)	1	
IC1651	C0CBCBD00008	IC	1		P6704	K1KY15AA0606	CONNECTOR(15P)	1	
IC1653	C0CBCY000001	IC	1		P6801	K1NA12B00004	CONNECTOR(12P)	1	
IC6801	C0DBEY00016	IC	1		P6802	K1FY104B0006	CONNECTOR(4P)	1	
IC6802	C0DBZH000024	IC	1		P6803	K1KA05AA0193	CONNECTOR(5P)	1	
△ IC6803	RFKB71132A	IC	1		P6804	K1FY104B0011	USB CONNECTOR	1	
IC7501	C2CBHG000248	IC	1		P7501	K1KB14B00028	CONNECTOR(14P)	1	
IC7502	C0EBK0000206	IC	1		△ P11101	K2AA2H000007	AC INLET	1	
IC7503	C5HBZHC00001	IC	1						
IC7504	C0ABBA000168	IC	1		Q1651	B1ABDF000026	TRANSISTOR	1	
IC11201	C0DACZH00017	IC	1		Q7505	B1ABMF000020	TRANSISTOR	1	
IC11301	C0DACZH00017	IC	1		Q7506	B1ABGC000011	TRANSISTOR	1	
IC12102	C0DAEY000022	IC	1		Q7507	B1BACG000058	TRANSISTOR	1	
IC12201	C0DAEY000022	IC	1		Q7508	2SD0601ARL	TRANSISTOR	1	
IC14201	C0DBAZZ00131	IC	1		Q7509	2SD0601ARL	TRANSISTOR	1	
IC14301	C0DBAZZ00131	IC	1		Q7510	B1ABDF000026	TRANSISTOR	1	
IC14401	C0DBAZZ00131	IC	1		Q7511	B1ADCF000154	TRANSISTOR	1	
					Q7512	B1CFHC000003	TRANSISTOR	1	
△ IP7501	K5H751Z00003	IC PROTECTOR	1		Q7513	2SD0601ARL	TRANSISTOR	1	
△ IP7502	K5H751Z00003	IC PROTECTOR	1		Q7514	2SD0601ARL	TRANSISTOR	1	
					Q10101	B1ABDF000033	TRANSISTOR	1	
JK3801	K2HA307B0006	JACK,	1		△ Q10102	B3PBA0000454	TRANSISTOR	1	
JK3802	K2HZ106B0010	JACK,	1		△ Q12102	B3PBA0000454	TRANSISTOR	1	
					△ Q12201	B3PBA0000454	TRANSISTOR	1	
K7508	ERJ3GEY0R00	1/10W 0	1		Q14201	B1DHED000008	TRANSISTOR	1	
K7511	ERJ3GEY0R00	1/10W 0	1		Q14301	B1DHED000008	TRANSISTOR	1	
K7512	ERJ3GEY0R00	1/10W 0	1		Q14401	B1DHED000008	TRANSISTOR	1	
K7513	ERJ3GEY0R00	1/10W 0	1						
K7519	ERJ6GEY0R00V	1/8W 0	1		QR1651	B1GBCFNN0041	TRANSISTOR	1	
K7524	ERJ3GEY0R00	1/10W 0	1		QR1652	B1GDCFGG0028	TRANSISTOR	1	
K7525	ERJ3GEY0R00	1/10W 0	1		QR7502	B1GDCFNN0024	TRANSISTOR	1	
K7526	ERJ3GEY0R00	1/10W 0	1		QR7507	B1GDCFLL0037	TRANSISTOR	1	
K7538	ERJ3GEY0R00	1/10W 0	1		QR7508	B1GBCFLL0042	TRANSISTOR	1	
K7539	ERJ3GEY0R00	1/10W 0	1		QR7510	B1GBCFNN0041	TRANSISTOR	1	
					QR10101	B1GBCFNN0043	TRANSISTOR	1	
L1601	G0A100HA0023	COIL 10UH	1		R1601	ERJ3GEYJ223	1/10W 22K	1	
L7502	G0C390JA0021	COIL 39UH	1		R1603	ERJ3RBD222	1/16W 2.2K	1	
△ L11101	G0B233D00001	COIL	1		R1604	ERJ3RBD242	1/16W 2.4K	1	
△ L11102	G0B233D00001	COIL	1		R1605	ERJ3GEYJ684	1/10W 680K	1	
L13102	G0A100H00025	COIL 10UH	1		R1651	ERJ3GEYJ823	1/10W 82K	1	
L13201	G0A100K00003	COIL 10UH	1		R1654	ERJ6GEYJ101V	1/8W 100	1	
L14201	G0A220GA0026	COIL 22UH	1		R1655	ERJ3GEYJ472	1/10W 4.7K	1	
L14202	G0A150ZA0041	COIL 15UH	1		R3801	ERJ3EKF75R0	1/10W 75	1	
L14301	G0A220GA0026	COIL 22UH	1		R3802	ERJ3EKF75R0	1/10W 75	1	
L14302	G0A150ZA0041	COIL 15UH	1		R3803	ERJ3EKF75R0	1/10W 75	1	
L14303	G0A100HA0023	COIL 10UH	1		R3804	D0GB102JA057	1/10W 1K	1	
L14401	G0A220GA0026	COIL 22UH	1		R6801	J0JCC0000185	COIL	1	
L14402	G0A100K00003	COIL 10UH	1		R6802	ERJ3GEYJ820	1/10W 82	1	
L14403	G0A100HA0023	COIL 10UH	1		R6803	ERJ3GEYJ820	1/10W 82	1	
					R6804	ERJ3GEYJ223	1/10W 22K	1	
LB3801	J0JBC0000011	COIL	1		R6805	D0GB123JA057	1/10W 12K	1	
LB3802	J0JBC0000011	COIL	1		R6806	ERJ3RBD273	1/16W 27K	1	
LB3803	ERJ3GEY0R00	1/10W 0	1		R6807	ERJ3GEYJ223	1/10W 22K	1	
LB3804	ERJ3GEY0R00	1/10W 0	1		R6808	D0GB2R2JA057	1/10W 2.2	1	
LB3805	ERJ3GEY0R00	1/10W 0	1		R6809	D0GB2R2JA057	1/10W 2.2	1	
LB6801	J0JHC0000032	COIL	1		R6810	D0GB2R2JA057	1/10W 2.2	1	
LB6802	J0JCC0000185	COIL	1		R6811	D0GB2R2JA057	1/10W 2.2	1	
LB6803	J0JGC0000020	COIL	1		R6812	D0GB2R2JA057	1/10W 2.2	1	
LB7502	ERJ3GEY0R00	1/10W 0	1		R6813	D0GB123JA057	1/10W 12K	1	
LB7503	ERJ3GEY0R00	1/10W 0	1		R6814	D0GB123JA057	1/10W 12K	1	
LB7504	ERJ3GEY0R00	1/10W 0	1		R6815	D0GB123JA057	1/10W 12K	1	
LB7505	ERJ3GEY0R00	1/10W 0	1						

DMR-BW500GNK

Ref.No.	Part No.	Part Name & Description	Pcs	Remarks	Ref.No.	Part No.	Part Name & Description	Pcs	Remarks
R6816	D0GB123JA057	1/10W 12K	1		R7592	D0GB181JA057	1/10W 180	1	
R6817	ERJ3GEYJ820	1/10W 82	1		R7593	ERJ3GEYJ472	1/10W 4.7K	1	
R6818	ERJ3GEYJ820	1/10W 82	1		R7594	ERJ3GEYJ303	1/10W 30K	1	
R6819	ERJ3GEYJ820	1/10W 82	1		R7595	ERJ3GEYJ101	1/10W 100	1	
R6820	ERJ3GEYJ820	1/10W 82	1		R7596	D0GB473JA057	1/10W 47K	1	
R6821	ERJ3RBD392	1/16W 3.9K	1		R7597	ERJ3GEYJ101	1/10W 100	1	
R6822	ERJ3RBD103	1/16W 10K	1		R7598	ERJ3GEYJ101	1/10W 100	1	
R6823	D0GB103JA057	1/10W 10K	1		R7599	D0GB102JA057	1/10W 1K	1	
R6824	ERJ3GEY0R00	1/10W 0	1		R7600	D0GB473JA057	1/10W 47K	1	
R6825	ERJ3GEY0R00	1/10W 0	1		R7601	ERJ3GEYJ101	1/10W 100	1	
R7503	ERJ3GEY0R00	1/10W 0	1		R7602	ERJ3GEYJ101	1/10W 100	1	
R7509	ERJ3GEYJ101	1/10W 100	1		R7603	ERDS2FJ271	1/4W 270	1	
R7510	ERJ3GEYJ101	1/10W 100	1		R7604	D0GB473JA057	1/10W 47K	1	
R7511	D0GB103JA057	1/10W 10K	1		R7605	ERJ3GEYJ470	1/10W 47	1	
R7512	ERJ3GEYJ101	1/10W 100	1		R7606	ERJ3GEYF393	1/10W 39K	1	
R7513	ERJ3GEYJ472	1/10W 4.7K	1		R7607	ERJ3GEYJ222	1/10W 2.2K	1	
R7514	ERJ3GEYJ101	1/10W 100	1		R7608	ERJ3GEYF433	1/10W 43K	1	
R7516	ERJ3GEYJ101	1/10W 100	1		R7609	ERJ3GEYJ101	1/10W 100	1	
R7517	ERJ3GEYJ472	1/10W 4.7K	1		R7610	D0GB103JA057	1/10W 10K	1	
R7518	ERJ3GEYJ101	1/10W 100	1		R7611	ERJ3GEYJ101	1/10W 100	1	
R7519	ERJ3GEYJ101	1/10W 100	1		R7615	ERJ3GEYJ223	1/10W 22K	1	
R7520	D0GB473JA057	1/10W 47K	1		R7616	ERJ3GEYJ472	1/10W 4.7K	1	
R7521	ERJ3GEYJ101	1/10W 100	1		R7617	ERJ3GEYJ223	1/10W 22K	1	
R7522	ERJ3GEYJ223	1/10W 22K	1		R7660	D0GB103JA057	1/10W 10K	1	
R7523	ERJ3GEYJ682	1/10W 6.8K	1		R7668	ERJ3GEYJ101	1/10W 100	1	
R7524	ERJ3GEYJ223	1/10W 22K	1		R7669	ERJ3GEYJ472	1/10W 4.7K	1	
R7525	ERJ3GEYJ101	1/10W 100	1		R10101	ERJ3GEYJ104	1/10W 100K	1	
R7526	ERJ3GEYJ472	1/10W 4.7K	1		R10102	ERJ6GEYJ104V	1/8W 100K	1	
R7527	ERJ3GEYJ101	1/10W 100	1		R10103	D0GB103JA057	1/10W 10K	1	
R7529	ERJ3GEYJ331	1/10W 330	1		R10104	D0GB103JA057	1/10W 10K	1	
R7530	ERJ3GEYJ331	1/10W 330	1		R11201	ERG1SJ561	1W 560	1	
R7531	ERJ3GEYJ104	1/10W 100K	1		R11202	ERG1SJ563	1W 56K	1	
R7532	ERJ3GEYJ563	1/10W 56K	1		R11203	ERG1SJ563	1W 56K	1	
R7533	ERJ3GEY0R00	1/10W 0	1		R11204	ERJ6GEYJ680V	1/8W 68	1	
R7534	ERJ3GEYJ331	1/10W 330	1		R11205	ERJ6GEYJ680V	1/8W 68	1	
R7535	D0GB103JA057	1/10W 10K	1		R11206	ERJ6GEYJ680V	1/8W 68	1	
R7536	ERJ3GEYJ101	1/10W 100	1		R11207	ERJ6GEYJ392	1/8W 3.9K	1	
R7537	ERJ3GEYJ101	1/10W 100	1		R11208	ERJ6GEYJ103V	1/8W 10K	1	
R7538	ERJ3GEYJ101	1/10W 100	1		R11209	ERJ6GEYJ562	1/8W 5.6K	1	
R7539	ERJ3GEYJ822	1/10W 8.2K	1		R11210	ERJ6GEYJ562	1/8W 5.6K	1	
R7540	ERJ3GEYJ822	1/10W 8.2K	1		R11211	ERJ6GEYF123	1/8W 12K	1	
R7542	ERJ3GEYJ822	1/10W 8.2K	1		R11212	ERJ6GEYJ222	1/8W 2.2K	1	
R7543	ERJ3GEYJ101	1/10W 100	1		R11213	ERX2SJR22P	2W 0.22	1	
R7544	ERJ3GEYJ101	1/10W 100	1		R11214	ERDS2FJ471	1/4W 470	1	
R7545	ERJ3GEYJ101	1/10W 100	1		R11301	ERG1SJ222	1W 2.2K	1	
R7546	ERJ3GEYJ101	1/10W 100	1		R11304	ERJ6GEYJ120	1/8W 12	1	
R7547	ERJ3GEYJ101	1/10W 100	1		R11305	ERJ6GEYJ120	1/8W 12	1	
R7548	ERJ3GEYJ101	1/10W 100	1		R11306	ERJ6GEYJ622V	1/8W 6.2K	1	
R7549	ERJ3GEYJ101	1/10W 100	1		R11307	ERJ6GEYJ103V	1/8W 10K	1	
R7550	ERJ3GEYJ101	1/10W 100	1		R11308	ERJ6GEYJ622	1/8W 6.2K	1	
R7551	ERJ3GEYJ101	1/10W 100	1		R11309	ERJ6GEYJ562	1/8W 5.6K	1	
R7553	D0GB103JA057	1/10W 10K	1		R11310	ERJ6ENF2202	1/8W 2.2K	1	
R7555	ERJ3GEYJ472	1/10W 4.7K	1		R11311	ERJ6GEY0R00V	1/8W 0	1	
R7556	ERJ3GEYJ562	1/10W 5.6K	1		R11312	ERX2SJR27	2W 0.27	1	
R7557	D0GB473JA057	1/10W 47K	1		R11313	ERX2SJR22P	2W 0.22	1	
R7560	ERJ3GEYJ101	1/10W 100	1		R11315	ERJ6GEY0R00V	1/8W 0	1	
R7561	ERJ3GEYJ101	1/10W 100	1		R12112	ERJ3GEYJ222	1/10W 2.2K	1	
R7562	ERJ3GEYJ101	1/10W 100	1		R12113	D0GB102JA057	1/10W 1K	1	
R7563	ERJ3GEYJ472	1/10W 4.7K	1		R12114	D0GB102JA057	1/10W 1K	1	
R7565	ERJ3GEYJ223	1/10W 22K	1		R12115	D0GB103JA057	1/10W 10K	1	
R7566	D0GB103JA057	1/10W 10K	1		R12117	ERJ3GEYJ272	1/10W 2.7K	1	
R7567	ERJ3GEYJ821	1/10W 820	1		R12118	ERJ3GEYJ682	1/10W 6.8K	1	
R7570	D0GB103JA057	1/10W 10K	1		R12119	ERJ3GEYJ242V	1/10W 2.4K	1	
R7571	ERJ3GEYJ101	1/10W 100	1		R12202	ERJ3GEYJ222	1/10W 2.2K	1	
R7572	ERJ3GEYJ101	1/10W 100	1		R12203	D0GB102JA057	1/10W 1K	1	
R7574	D0GB473JA057	1/10W 47K	1		R12204	D0GB102JA057	1/10W 1K	1	
R7575	ERJ3GEYJ332	1/10W 3.3K	1		R12205	D0GB103JA057	1/10W 10K	1	
R7576	D0GB102JA057	1/10W 1K	1		R12206	ERJ3GEYJ152	1/10W 1.5K	1	
R7577	D0GB473JA057	1/10W 47K	1		R12207	ERJ3GEYD822V	1/10W 8.2K	1	
R7579	D0GB473JA057	1/10W 47K	1		R12209	ERJ3GEYD242V	1/10W 2.4K	1	
R7581	ERJ3GEYJ472	1/10W 4.7K	1		R14201	ERJ3EKF5102	1/10W 51K	1	
R7582	ERJ3RBD182	1/16W 1.8K	1		R14202	D1BFR0270001	1/2W 0.027	1	
R7583	D0GB103JA057	1/10W 10K	1		R14203	ERJ6RBD153	1/10W 15K	1	
R7584	D0GB103JA057	1/10W 10K	1		R14204	ERJ6RBD911	1/10W 910	1	
R7585	ERJ3GEYJ104	1/10W 100K	1		R14205	ERJ6RBD512V	1/10W 5.1K	1	
R7587	ERA3YED332	1/16W 3.3K	1		R14301	ERJ3EKF5102	1/10W 51K	1	
R7591	ERJ3GEYJ472	1/10W 4.7K	1		R14302	D1BFR0270001	1/2W 0.027	1	

DMR-BW500GNK

Ref.No.	Part No.	Part Name & Description	Pcs	Remarks	Ref.No.	Part No.	Part Name & Description	Pcs	Remarks
R14303	ERJ6RBD153	1/10W 15K	1		C8017	ECJ1VB1H103K	50V 0.01U	1	
R14304	ERJ6RBD472V	1/10W 4.7K	1		C8018	ECJ1VB1H103K	50V 0.01U	1	
R14305	ERJ6RBD512V	1/10W 5.1K	1		C8019	ECJ1VB1H103K	50V 0.01U	1	
R14401	ERJ3GEYJ333	1/10W 33K	1		C8023	ECJ1VB1H103K	50V 0.01U	1	
R14402	D1BFR0270001	1/2W 0.027	1		C8024	ECJ1VB1H103K	50V 0.01U	1	
R14403	ERJ6RBD511	1/10W 510	1		C8026	ECJ1VB1H103K	50V 0.01U	1	
R14404	ERJ6RBD103V	1/10W 10K	1		C8027	ECJ1VB1H103K	50V 0.01U	1	
R14405	ERJ6RBD472V	1/10W 4.7K	1		C8028	ECJ1VB1H103K	50V 0.01U	1	
					C8029	ECJ1VB1H103K	50V 0.01U	1	
T7501	G4D1C0000007	TRANSFORMERS	1		C8030	ECJ1VB1H103K	50V 0.01U	1	
△ T11201	G4D2A0000301	TRANSFORMERS	1		C8031	ECJ1VB1H103K	50V 0.01U	1	
△ T11301	G4D2A0000300	TRANSFORMERS	1		C8032	F2A0J101A825	6.3V 100U	1	
					C8033	ECJ1VB1H103K	50V 0.01U	1	
△ VA11101	ERZV10D471C2	VARISTOR	1		C8034	ECJ1VB1H103K	50V 0.01U	1	
					C8035	ECJ1VB1H103K	50V 0.01U	1	
W300	ERJ3GEY0R00	1/10W 0	1		C8036	ECJ1XC1H220J	50V 22P	1	
W301	ERJ3GEY0R00	1/10W 0	1		C8037	ECJ1XC1H220J	50V 22P	1	
W302	ERJ3GEY0R00	1/10W 0	1		C8038	ECJ1XC1H101J	50V 100P	1	
W303	ERJ3GEY0R00	1/10W 0	1		C8039	ECJ1VB1H103K	50V 0.01U	1	
W304	ERJ3GEY0R00	1/10W 0	1		C8040	ECJ1XB1C104K	16V 0.1U	1	
W305	ERJ6GEY0R00V	1/8W 0	1		C8041	ECJ1XB1C104K	16V 0.1U	1	
W306	ERJ3GEY0R00	1/10W 0	1		C8044	ECJ1VC1H120J	50V 12P	1	
W307	ERJ3GEY0R00	1/10W 0	1		C8045	ECJ1VC1H120J	50V 12P	1	
W308	ERJ6GEY0R00V	1/8W 0	1		C8701	F2A0J470A824	6.3V 47U	1	
W309	ERJ3GEY0R00	1/10W 0	1		C8707	F2A0J470A824	6.3V 47U	1	
W310	ERJ6GEY0R00V	1/8W 0	1		C8709	ECJ1VB1H222K	50V 2200P	1	
W311	ERJ6GEY0R00V	1/8W 0	1		C8710	ECJ1VB1H103K	50V 0.01U	1	
W312	ERJ3GEY0R00	1/10W 0	1		C8713	ECJ1VC1H271J	50V 270P	1	
W313	ERJ3GEY0R00	1/10W 0	1		C8716	ECJ1VB1H103K	50V 0.01U	1	
W314	ERJ6GEY0R00V	1/8W 0	1		C8718	ECJ1XB1C104K	16V 0.1U	1	
W316	ERJ3GEY0R00	1/10W 0	1		C8719	ECJ1XC1H681J	50V 680P	1	
W317	ERJ3GEY0R00	1/10W 0	1		C8723	ECJ1VB1A105K	10V 1U	1	
W318	ERJ6GEY0R00V	1/8W 0	1		C8724	ECJ2FB0J106K	6.3V 10U	1	
W319	ERJ6GEY0R00V	1/8W 0	1		C8725	ECJ1VB1A105K	10V 1U	1	
W320	ERJ6GEY0R00V	1/8W 0	1		C8726	ECJ1VB1A105K	10V 1U	1	
W321	ERJ6GEY0R00V	1/8W 0	1						
W322	ERJ6GEY0R00V	1/8W 0	1		IC8001	C0DBEHE00005	IC	1	
W323	ERJ6GEY0R00V	1/8W 0	1		IC8002	C0DBGDD00032	IC	1	
W324	ERJ3GEY0R00	1/10W 0	1		IC8003	C1AB00002710	IC	1	
W325	ERJ3GEY0R00	1/10W 0	1		IC8702	C0DBEHE00005	IC	1	
W326	ERJ6GEY0R00V	1/8W 0	1		IC8703	C0CBCCD00052	IC	1	
W327	ERJ6GEY0R00V	1/8W 0	1						
W328	ERJ3GEY0R00	1/10W 0	1		K8702	ERJ3GEY0R00	1/10W 0	1	
W329	ERJ6GEY0R00V	1/8W 0	1						
W330	ERJ6GEY0R00V	1/8W 0	1		L8002	G1CR56JA0020	COIL 56UH	1	
W331	ERJ6GEY0R00V	1/8W 0	1		L8003	G1CR56JA0020	COIL 56UH	1	
W332	ERJ6GEY0R00V	1/8W 0	1		L8702	ERJ3GEY0R00	1/10W 0	1	
W333	ERJ6GEY0R00V	1/8W 0	1		L8703	ERJ3GEY0R00	1/10W 0	1	
X7501	H0D100500018	CRYSTAL OSCILLATOR	1		LB8001	J0JHC0000045	COIL	1	
X7502	H0A327200108	CRYSTAL OSCILLATOR	1		LB8701	J0JHC0000032	COIL	1	
					LB8702	J0JHC0000032	COIL	1	
					LB8703	J0JHC0000032	COIL	1	
△ ZA11101	EYF52BCY	FUSE HOLDER	1		PS8001	K1KY11BA0099	CONNECTOR(11P)	1	
△ ZA11102	EYF52BCY	FUSE HOLDER	1		PS8002	K1KY13BA0099	CONNECTOR(13P)	1	
ZA11201	VSC5603	HEAT SINK	1						
ZA11202	XYN3+J8FJ	SCREW	1		R8001	ERJ3RBD103	1/16W 10K	1	
ZA11301	VSC5839	HEAT SINK	1		R8002	ERA3YED332	1/16W 3.3K	1	
ZA11302	XYN3+J8FJ	SCREW	1		R8003	ERJ3RBD122	1/16W 1.2K	1	
ZA13101	VSC5606	HEAT SINK	1		R8004	ERJ3GEYJ330	1/10W 33	1	
ZA13102	XYN3+J8FJ	SCREW	1		R8005	ERJ3GEYJ330	1/10W 33	1	
ZA13201	VSC5603	HEAT SINK	1		R8006	ERJ3GEYJ330	1/10W 33	1	
ZA13202	XYN3+J8FJ	SCREW	1		R8014	ERJ3GEYJ330	1/10W 33	1	
ZA15301	K9ZZ00001279	EARTH PLATE	1		R8015	ERJ3GEYJ101	1/10W 100	1	
ZA15302	K9ZZ00001279	EARTH PLATE	1		R8016	ERJ3GEY0R00	1/10W 0	1	
					R8017	ERJ3GEYJ101	1/10W 100	1	
ZJ3801	K9ZZ00001279	EARTH PLATE	1		R8018	ERJ3GEY0R00	1/10W 0	1	
ZJ6801	K9ZZ00001279	EARTH PLATE	1		R8019	D0GB473JA057	1/10W 47K	1	
ZJ6802	K9ZZ00001279	EARTH PLATE	1		R8020	D0GB473JA057	1/10W 47K	1	
					R8021	D0GB103JA057	1/10W 10K	1	
##	VEP77122A	DIGITAL TUNER P.C.B.	(RTL)		R8022	ERJ3GEYJ472	1/10W 4.7K	1	
					R8023	ERJ3GEYJ101	1/10W 100	1	
C8001	ECJ1VB1A105K	10V 1U	1		R8024	ERJ3GEYJ472	1/10W 4.7K	1	
C8002	ECJ2FB0J106K	6.3V 10U	1		R8025	ERJ3GEYJ101	1/10W 100	1	
C8014	ECJ1VB1A105K	10V 1U	1		R8026	D0GB102JA057	1/10W 1K	1	
C8015	ECJ2FB0J106K	6.3V 10U	1		R8027	ERJ3GEYJ101	1/10W 100	1	
C8016	ECJ1VB1H103K	50V 0.01U	1						

DMR-BW500GNK

Ref.No.	Part No.	Part Name & Description	Pcs	Remarks	Ref.No.	Part No.	Part Name & Description	Pcs	Remarks
R8028	D0GB473JA057	1/10W 47K	1		C3916	F2A1H100A236	50V 10U	1	
R8030	D0GB473JA057	1/10W 47K	1		C3917	F2A1H100A236	50V 10U	1	
R8034	ERJ3GEY0R00	1/10W 0	1		C3918	F2A1H100A236	50V 10U	1	
R8711	ERJ3RBD103	1/16W 10K	1		C3919	F2A1H100A236	50V 10U	1	
R8712	ERJ3RBD392	1/16W 3.9K	1		C3928	F2A1H1R0A236	50V 1U	1	
R8713	ERJ3RBD273	1/16W 27K	1		C3929	F2A1H1R0A236	50V 1U	1	
R8714	ERJ3GEYJ471	1/10W 470	1		C3951	ECJ1XC1H470J	50V 47P	1	
R8715	ERJ3GEYJ471	1/10W 470	1		C3952	ECJ1XC1H470J	50V 47P	1	
TU8702	ENV77M05D8F	TV TUNERS	1		C3953	ECJ1VC1H471J	50V 470P	1	
X8001	H0J204500009	CRYSTAL OSCILLATOR	1		C3954	ECJ1VC1H471J	50V 470P	1	
ZA8701	RMA2019	GND ANGLE	1		C3955	ECJ1XC1H101J	50V 100P	1	
##	VEP73164A	AV IO P.C.B.		(RTL)	C3956	ECJ1XC1H101J	50V 100P	1	
C3001	ECJ1XB1C104K	16V 0.1U	1		C3957	ECJ1VC1H471J	50V 470P	1	
C3002	ECJ1VB1H103K	50V 0.01U	1		C3958	ECJ1VC1H471J	50V 470P	1	
C3003	ECJ1XB1C104K	16V 0.1U	1		C3959	ECJ1XC1H470J	50V 47P	1	
C3004	ECJ1XB1C104K	16V 0.1U	1		C3960	ECJ1XC1H470J	50V 47P	1	
C3005	ECJ1VB0J105K	6.3V 1U	1		C3961	ECJ1XC1H101J	50V 100P	1	
C3006	ECJ1VB0J105K	6.3V 1U	1		C3962	ECJ1XC1H101J	50V 100P	1	
C3007	ECJ1VB0J105K	6.3V 1U	1		C4001	F2A1C471A702	16V 470U	1	
C3008	ECJ1VB0J105K	6.3V 1U	1		C4003	ECJ1XB1C104K	16V 0.1U	1	
C3009	F2A1A471A869	10V 470U	1		C4005	F2A1C220B173	16V 22U	1	
C3010	F2A1A101A868	10V 100U	1		C4006	F2A1C220B173	16V 22U	1	
C3011	ECJ1XB1C104K	16V 0.1U	1		C4007	F2A1C101B299	16V 100U	1	
C3012	F2A1A471A869	10V 470U	1		C4008	EEUFC1E101S	25V 100U	1	
C3013	F2A1A101A868	10V 100U	1		C4009	F2A1C101B299	16V 100U	1	
C3015	ECJ1XB1C104K	16V 0.1U	1		C4011	ECJ1XC1H102J	50V 1000P	1	
C3016	ECJ1XB1C104K	16V 0.1U	1		C4012	F2A1E2210050	25V 220U	1	
C3017	ECJ1XB1C104K	16V 0.1U	1		C4013	F2A1C4710055	16V 470U	1	
C3018	ECJ1XB1C104K	16V 0.1U	1		C4015	F2A1C101B299	16V 100U	1	
C3019	ECJ1XB1C104K	16V 0.1U	1		C4017	F2A1C4710055	16V 470U	1	
C3020	ECJ1XB1C104K	16V 0.1U	1		C4018	F2A1C101B299	16V 100U	1	
C3021	ECJ1XB1C104K	16V 0.1U	1		C4019	F2A1C470B174	16V 47U	1	
C3022	ECJ1XB1C104K	16V 0.1U	1		C4021	F2A1C470B174	16V 47U	1	
C3023	ECJ1VC1H330J	50V 33P	1		C4024	EEUFC1E101S	25V 100U	1	
C3024	ECJ1XB1C104K	16V 0.1U	1		C4027	F2A1C220B173	16V 22U	1	
C3025	ECJ1XB1C104K	16V 0.1U	1		C4028	F2A1C220B173	16V 22U	1	
C3026	ECJ1VB0J105K	6.3V 1U	1		C4033	F2A1C470B174	16V 47U	1	
C3027	ECJ1XB1C104K	16V 0.1U	1		C4034	F2A1C470B174	16V 47U	1	
C3028	ECJ1VB0J105K	6.3V 1U	1		C4056	F2A1C471A702	16V 470U	1	
C3029	ECJ1XB1C104K	16V 0.1U	1		C4057	ECJ2VC1H330J	50V 33P	1	
C3030	ECJ1VB0J105K	6.3V 1U	1		C4059	F2A1C4710055	16V 470U	1	
C3031	ECJ1VB1H103K	50V 0.01U	1		C4060	ECJ2VC1H330J	50V 33P	1	
C3032	F2A0J101A167	6.3V 100U	1		C4061	ECJ1VF1C104Z	16V 0.1U	1	
C3033	ECJ1VB1H103K	50V 0.01U	1		C4063	F2A1C470B174	16V 47U	1	
C3034	ECJ1VB1H103K	50V 0.01U	1		C4064	F2A1C470B174	16V 47U	1	
C3035	F2A0J101A167	6.3V 100U	1		C4065	ECJ1VF1C104Z	16V 0.1U	1	
C3036	ECJ1VB0J105K	6.3V 1U	1		C4067	F2A1E2210050	25V 220U	1	
C3037	ECJ1VB0J105K	6.3V 1U	1		C4072	F2A1C221A637	16V 220U	1	
C3038	ECJ1XB1C104K	16V 0.1U	1		C4082	ECJ2XC1H102J	16V 1000P	1	
C3039	ECJ1XB1C104K	16V 0.1U	1		C4083	ECJ2XC1H102J	16V 1000P	1	
C3040	ECJ1VB0J105K	6.3V 1U	1		C4092	F2A1C471A637	16V 470U	1	
C3041	ECJ1VB0J105K	6.3V 1U	1		C7401	ECJ2FB0J106K	6.3V 10U	1	
C3042	F2A0J470A831	6.3V 47U	1		C7406	ECJ1VB1A105K	10V 1U	1	
C3043	ECJ1VB1H472K	50V 4700P	1		C7412	ECJ1VB1A105K	10V 1U	1	
C3044	F2A0J470A831	6.3V 47U	1		C7413	ECJ2FB0J106K	6.3V 10U	1	
C3045	F2A0J102A833	6.3V 1000U	1		C7801	F2A0J470A824	6.3V 47U	1	
C3046	F2A0J331A832	6.3V 330P	1		C7802	ECJ1VB1H103K	50V 0.01U	1	
C3047	F2A0J331A832	6.3V 330P	1		C7803	F2A1H1R0B032	50V 1U	1	
C3048	ECJ1XB1C104K	16V 0.1U	1		C7804	ECJ1VB1H103K	50V 0.01U	1	
C3049	ECJ1XB1C104K	16V 0.1U	1		C7805	ECJ1VB1H102K	50V 1000P	1	
C3050	ECJ1XB1C104K	16V 0.1U	1		C7809	F2A0J470A824	6.3V 47U	1	
C3057	ECJ1VC1H471J	50V 470P	1		C7810	ECJ1VB1H103K	50V 0.01U	1	
C3058	ECJ1VC1H471J	50V 470P	1		C7811	F2A0J470A824	6.3V 47U	1	
C3059	ECJ1VC1H471J	50V 470P	1		C7812	ECJ1VB1H103K	50V 0.01U	1	
C3060	ECJ1VC1H471J	50V 470P	1		C7813	ECJ1VB1H222K	50V 2200P	1	
C3064	ECJ1XB1C104K	16V 0.1U	1		C7817	ECJ1VC1H271J	50V 270P	1	
C3065	ECJ1VB0J105K	6.3V 1U	1		C7820	ECJ1VB1H222K	50V 2200P	1	
C3910	F2A1H1R0A236	50V 1U	1		C7821	ECJ1VC1H271J	50V 270P	1	
C3911	F2A1H1R0A236	50V 1U	1		C7823	ECJ1XC1H220J	50V 22P	1	
C3914	F2A1H100A236	50V 10U	1		C7824	ECJ1XC1H220J	50V 22P	1	
C3915	F2A1H100A236	50V 10U	1		C7826	ECJ1VB1H222K	50V 2200P	1	
					C7831	ECJ1VB1A105K	10V 1U	1	
					C7832	ECJ2FB0J106K	6.3V 10U	1	
					D3901	MA165TA5	DIODE	1	
					D4005	MA3Z142D0RG	DIODE	1	
					D4006	MA3Z142D0RG	DIODE	1	

DMR-BW500GNK

Ref.No.	Part No.	Part Name & Description	Pcs	Remarks	Ref.No.	Part No.	Part Name & Description	Pcs	Remarks
D7801	B0BA03000015	DIODE	1		R3054	ERJ3EKF75R0	1/10W 75	1	
					R3055	ERJ3EKF75R0	1/10W 75	1	
IC3001	C1AB00002379	IC	1		R3056	ERJ3EKF75R0	1/10W 75	1	
IC3002	C0ZBZ0001608	IC	1		R3057	ERJ3EKF75R0	1/10W 75	1	
IC3003	C1AB00002557	IC	1		R3058	ERJ3EKF75R0	1/10W 75	1	
IC3004	C0DBEHE00005	IC	1		R3059	ERJ3EKF75R0	1/10W 75	1	
IC4001	C0CBCY000004	IC	1		R3905	ERJ3GEYD153V	1/10W 15K	1	
IC4002	C0CBCY000004	IC	1		R3906	ERJ3GEYJ223	1/10W 22K	1	
IC4009	C0ABBB000216	IC	1		R3912	D0GB103JA057	1/10W 10K	1	
IC4012	C0ABBB000230	IC	1		R3913	D0GB103JA057	1/10W 10K	1	
IC7402	C0DBEHE00005	IC	1		R3914	ERJ3GEYJ471	1/10W 470	1	
IC7803	C0DBEHE00005	IC	1		R3918	ERJ3GEYJ471	1/10W 470	1	
					R3919	ERJ3EKF75R0	1/10W 75	1	
					R3920	ERJ3EKF75R0	1/10W 75	1	
JK3001	K2HA312B0005	JACK,	1		R3921	ERJ3EKF75R0	1/10W 75	1	
JK3002	K2HZ211B0001	JACK,	1		R3922	ERJ3GEYJ471	1/10W 470	1	
JK3901	K1FB242B0009	JACK,	1		R3923	ERJ3GEYJ471	1/10W 470	1	
					R3924	ERDS2FJ471	1/4W 470	1	
K3007	ERJ3GEY0R00	1/10W 0	1		R3925	ERJ3EKF75R0	1/10W 75	1	
K3010	ERJ3GEY0R00	1/10W 0	1		R3926	ERJ3EKF75R0	1/10W 75	1	
K7303	ERJ3GEY0R00	1/10W 0	1		R3927	ERJ3EKF75R0	1/10W 75	1	
K7304	ERJ3GEY0R00	1/10W 0	1		R3928	ERJ3EKF75R0	1/10W 75	1	
K7305	ERJ3GEY0R00	1/10W 0	1		R3929	ERJ3EKF75R0	1/10W 75	1	
K7801	ERJ3GEY0R00	1/10W 0	1		R3930	ERJ3EKF75R0	1/10W 75	1	
K7802	ERJ3GEY0R00	1/10W 0	1		R3932	ERJ3EKF75R0	1/10W 75	1	
					R3934	ERJ3EKF75R0	1/10W 75	1	
L3001	G0C220JA0019	COIL 22UH	1		R3935	ERJ3EKF75R0	1/10W 75	1	
L7802	ERJ3GEY0R00	1/10W 0	1		R3975	ERJ3GEYJ101	1/10W 100	1	
L7803	ERJ3GEY0R00	1/10W 0	1		R3976	ERJ3GEYJ101	1/10W 100	1	
					R3983	D0GB103JA057	1/10W 10K	1	
LB3001	J0JGC0000020	COIL	1		R3984	D0GB103JA057	1/10W 10K	1	
LB3002	J0JGC0000020	COIL	1		R3987	D0GB473JA057	1/10W 47K	1	
LB3003	J0JGC0000020	COIL	1		R3988	D0GB102JA057	1/10W 1K	1	
LB3005	J0JBC0000011	COIL	1		R3989	D0GB102JA057	1/10W 1K	1	
LB3006	J0JGC0000020	COIL	1		R3990	D0GB473JA057	1/10W 47K	1	
LB3007	J0JBC0000011	COIL	1		R3991	D0GB473JA057	1/10W 47K	1	
LB3008	J0JGC0000020	COIL	1		R3992	D0GB102JA057	1/10W 1K	1	
LB3907	J0JBC0000011	COIL	1		R3993	D0GB102JA057	1/10W 1K	1	
LB3908	J0JBC0000011	COIL	1		R3994	D0GB473JA057	1/10W 47K	1	
LB3911	J0JGC0000020	COIL	1		R4001	ERJ3RBD202	1/16W 2K	1	
LB3912	J0JBC0000011	COIL	1		R4002	ERJ3RED300	1/16W 3	1	
LB3913	J0JBC0000011	COIL	1		R4003	ERJ3RBD682	1/16W 6.8K	1	
LB4001	J0JEC0000008	COIL	1		R4004	D0HB113ZA002	1/10W 11K	1	
LB4350	J0JGC0000020	COIL	1		R4005	VRE0071E123	1/10W 12K	1	
LB7801	J0JHC0000032	COIL	1		R4006	ERJ3GEYJ823	1/10W 82K	1	
LB7802	J0JHC0000032	COIL	1		R4007	ERJ3GEYJ823	1/10W 82K	1	
LB7803	J0JHC0000032	COIL	1		R4008	ERJ3GEYJ823	1/10W 82K	1	
LB7804	J0JCC0000103	COIL	1		R4009	D0GB102JA057	1/10W 1K	1	
LB7805	J0JCC0000103	COIL	1		R4012	D0GB102JA057	1/10W 1K	1	
LB7807	ERJ3GEY0R00	1/10W 0	1		R4013	ERJ3GEYJ823	1/10W 82K	1	
					R4014	D0GB102JA057	1/10W 1K	1	
P3001	K1KA04AA0193	CONNECTOR(4P)	1		R4015	D0GB102JA057	1/10W 1K	1	
P3002	K1KA07AA0193	CONNECTOR(7P)	1		R4046	D0HB912ZA002	1/10W 9.1K	1	
P3003	K1KY23AA0606	CONNECTOR(23P)	1		R4047	D0HB912ZA002	1/10W 9.1K	1	
P3004	K1KY09AA0606	CONNECTOR(9P)	1		R4055	D0HB153ZA002	1/10W 15K	1	
P3005	K1KY23AA0606	CONNECTOR(23P)	1		R4057	D0HB153ZA002	1/10W 15K	1	
P4901	K1KA05AA0031	CONNECTOR(5P)	1		R4066	VRE0071E103	1/10W 10K	1	
					R4067	VRE0071E103	1/10W 10K	1	
Q4006	2SD132800L	TRANSISTOR	1		R4071	D0GB473JA057	1/10W 47K	1	
Q4007	2SD132800L	TRANSISTOR	1		R4074	D0GB473JA057	1/10W 47K	1	
Q4008	2SD132800L	TRANSISTOR	1		R4076	ERJ3GEYJ821	1/10W 820	1	
Q4009	2SD132800L	TRANSISTOR	1		R4077	ERJ3GEYJ101	1/10W 100	1	
					R4078	ERJ3GEYJ272	1/10W 2.7K	1	
R3001	ERJ3GEYJ104	1/10W 100K	1		R4079	ERJ3GEYJ272	1/10W 2.7K	1	
R3002	ERJ3GEYJ104	1/10W 100K	1		R4080	ERJ3GEYJ101	1/10W 100	1	
R3003	ERJ3RBD363	1/16W 36K	1		R4081	ERJ3GEYJ821	1/10W 820	1	
R3004	ERJ3RBD822	1/10W 8.2K	1		R4088	ERJ3GEYJ272	1/10W 2.7K	1	
R3005	ERJ3GEYJ221	1/10W 220	1		R4089	ERJ3GEYJ272	1/10W 2.7K	1	
R3006	ERJ3GEYJ562	1/10W 5.6K	1		R4090	ERJ3GEYJ121	1/10W 120	1	
R3007	ERJ3GEYJ330	1/10W 33	1		R4093	ERJ3GEYJ121	1/10W 120	1	
R3008	ERJ3GEYJ221	1/10W 220	1		R4094	ERJ3GEYJ223	1/10W 22K	1	
R3009	ERJ3EKF75R0	1/10W 75	1		R7401	ERJ3RBD273	1/16W 27K	1	
R3010	ERJ3EKF75R0	1/10W 75	1		R7402	ERJ3RBD392	1/16W 3.9K	1	
R3011	ERJ3EKF75R0	1/10W 75	1		R7403	ERJ3RBD103	1/16W 10K	1	
R3012	D0GB103JA057	1/10W 10K	1		R7404	ERJ3RBD273	1/16W 27K	1	
R3013	D0GB103JA057	1/10W 10K	1		R7405	ERJ3RBD392	1/16W 3.9K	1	
R3014	D0GB103JA057	1/10W 10K	1		R7406	ERJ3RBD103	1/16W 10K	1	
R3037	ERJ3GEYJ104	1/10W 100K	1						

DMR-BW500GNK

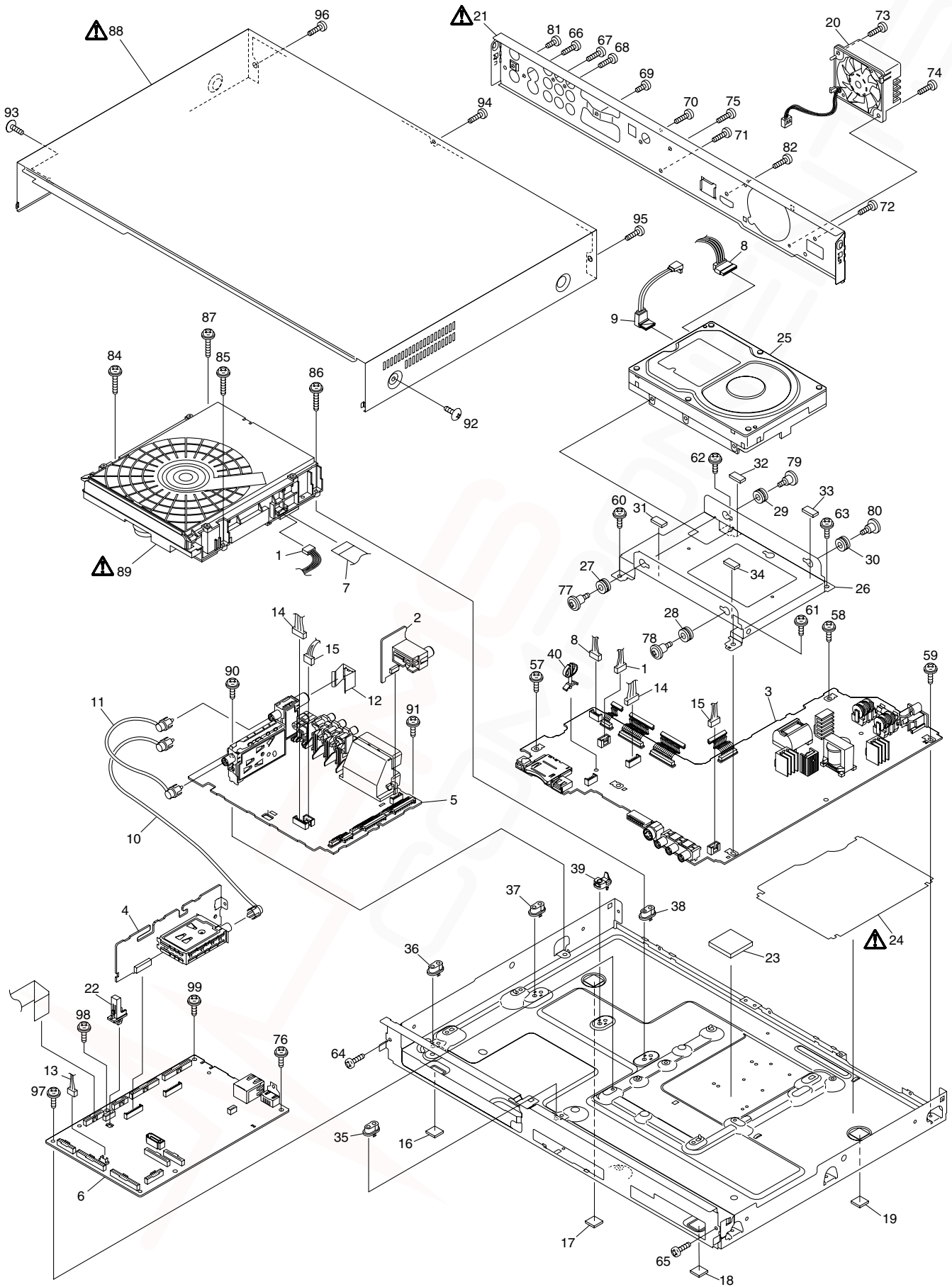
Ref.No.	Part No.	Part Name & Description	Pcs	Remarks	Ref.No.	Part No.	Part Name & Description	Pcs	Remarks
R7802	ERDS2FJ102	1/4W 1K	1		W103	ERJ6GEY0R00V	1/8W 0	1	
R7804	ERJ3GEYJ471	1/10W 470	1		W104	ERJ3GEY0R00	1/10W 0	1	
R7805	ERJ3GEYJ471	1/10W 470	1		W105	ERJ6GEY0R00V	1/8W 0	1	
R7807	ERJ3RBD103	1/16W 10K	1		W106	ERJ3GEY0R00	1/10W 0	1	
R7808	ERJ3RBD392	1/16W 3.9K	1		W107	ERJ6GEY0R00V	1/8W 0	1	
R7817	ERJ3RBD273	1/16W 27K	1		W108	ERJ3GEY0R00	1/10W 0	1	
R7841	ERJ3GEYJ472	1/10W 4.7K	1		W109	ERJ3GEY0R00	1/10W 0	1	
					W110	ERJ3GEY0R00	1/10W 0	1	
TU7801	ENV77R02D8F	TV TUNERS	1						
TU7802	ENPE7B2F	RF IN/OUT	1		ZB7201	RMN0896	FL HOLDER	1	
ZJ7423	K9ZZ00001279	EARTH PLATE	1						
ZJ7501	K9ZZ00001279	EARTH PLATE	1						
##	VEP70226A	FRONT(L)P.C.B.		(RTL)	##	M1	CASING/ACCESSORY/PACKING		
P7001	K1KA03AA0301	CONNECTOR(3P)	1		1	VEE1E41	BD POWER CABLE	1	
					2	VEP74116A	OPT CORE P.C.B.	1	(RTL)
					3	RFKB71132A	POWER/TIMER P.C.B.	1	(RTL)
					4	VEP77122A	DIGITAL TUNER P.C.B.	1	(RTL)
					5	VEP73164A	AV IO P.C.B.	1	(RTL)
S7001	EVQ11A04M	SWITCH,	1		6	RFKB79185A	DIGITAL P.C.B.	1	(RTL)
					7	VWJ2010	FFC(40P)	1	
					8	VEE1E60	SATA POWER CABLE	1	
##	VEP70227A	FRONT(R)P.C.B.		(RTL)	9	VEE1E17	SATA SIGNAL CABLE	1	
					10	K2KA29A00015	D TUNER CABLE	1	
C7202	ECJ1VF1A105Z	10V 1U	1		11	K2KA29A00016	AVIO TUNER CABLE	1	
C7204	ECJ1XB1C104K	16V 0.1U	1		12	RMC0625	TUNER END	1	
C7205	ECJ1XB1C104K	16V 0.1U	1		13	VEE1E45	USB CABLE	1	
C7206	ECJ1VF1H104Z	50V 0.1U	1		14	VEE1E46	TIMER AVCNT CABLE	1	
					15	VEE1E47	FRONT AUDIO CABLE	1	
D7202	B3AEA0000099	LED	1		16	RKA0137-K	FOOT RUBBER	1	
D7205	B3AAA0000985	LED	1		17	RKA0137-K	FOOT RUBBER	1	
D7206	B3AAA0000985	LED	1		18	RKA0137-K	FOOT RUBBER	1	
					19	RKA0137-K	FOOT RUBBER	1	
DP7201	A2BD00000186	DISPLAY TUBE	1		20	L6FAJDAE0007	DC FAN MOTORS	1	
					△ 21	RGR0379F-A	REAR PANEL	1	
IC7201	C0HBB0000057	IC	1		22	RMN0203	CARD CORNER HOLDER	1	
					23	RSC0824	RADIATOR SHEET	1	
IR7201	B3RAD0000150	REMOTE SENSOR	1		△ 24	RMZ0926	BARRIER A	1	
					25	RFKV0126HDK	HDD 500GB	1	
LB7201	J0JCC0000103	COIL	1		26	RMA2115A	HDD BRACKET	1	
LB7202	J0JCC0000103	COIL	1		27	RMG0739-K	FLOATING RUBBER	1	
					28	RMG0739-K	FLOATING RUBBER	1	
P7201	K1KA14B00113	CONNECTOR(14P)	1		29	RMG0739-K	FLOATING RUBBER	1	
P7202	K1KA03AA0180	CONNECTOR(3P)	1		30	RMG0739-K	FLOATING RUBBER	1	
					31	RMG0748-K	HDD CUSHION	1	
Q7201	B1ABDF000033	TRANSISTOR	1		32	RMG0748-K	HDD CUSHION	1	
Q7202	B1ABDF000033	TRANSISTOR	1		33	RMG0748-K	HDD CUSHION	1	
Q7203	B1ABDF000033	TRANSISTOR	1		34	RMG0748-K	HDD CUSHION	1	
Q7204	B1ABDF000026	TRANSISTOR	1		35	RMX0404-1	DRIVE SPACER	1	
					36	RMX0404-1	DRIVE SPACER	1	
R7201	ERJ3GEYJ562	1/10W 5.6K	1		37	RMX0404-1	DRIVE SPACER	1	
R7202	ERJ3GEYJ272	1/10W 2.7K	1		38	RMX0404-1	DRIVE SPACER	1	
R7203	ERJ3GEYJ683	1/10W 68K	1		39	RMX0413	DRIVE SPACER	1	
R7204	ERJ3GEYJ332	1/10W 3.3K	1		40	RMX0415	CORD CLUMP	1	
R7205	D0GB473JA057	1/10W 47K	1		57	RHD30111-31	SCREW	1	
R7206	ERJ6GEYJ221V	1/8W 220	1		58	RHD30111-31	SCREW	1	
R7207	ERJ6GEYJ301V	1/8W 300	1		59	RHD30111-31	SCREW	1	
R7208	ERJ3GEYJ332	1/10W 3.3K	1		60	RHD30111-31	SCREW	1	
R7209	D0GB473JA057	1/10W 47K	1		61	RHD30111-31	SCREW	1	
R7211	ERJ3GEYJ330	1/10W 33	1		62	RHD30111-31	SCREW	1	
R7212	D0GB473JA057	1/10W 47K	1		63	RHD30111-31	SCREW	1	
R7213	ERJ6GEYJ221V	1/8W 220	1		64	RHD30119-L	SCREW	1	
R7214	ERJ3GEYJ332	1/10W 3.3K	1		65	RHD30119-L	SCREW	1	
R7215	ERJ3GEYJ104	1/10W 100K	1		66	RHD30119-L	SCREW	1	
R7216	ERJ3GEYJ272	1/10W 2.7K	1		67	RHD30119-L	SCREW	1	
R7217	ERJ3GEYJ562	1/10W 5.6K	1		68	RHD30119-L	SCREW	1	
					69	RHD30119-L	SCREW	1	
S7201	EVQ11A04M	SWITCH,	1		70	RHD30119-L	SCREW	1	
S7202	EVQ11A04M	SWITCH,	1		71	RHD30119-L	SCREW	1	
S7203	EVQ11A04M	SWITCH,	1		72	RHD30119-L	SCREW	1	
S7204	EVQ11A04M	SWITCH,	1		73	RHD30119-L	SCREW	1	
S7205	EVQ11A04M	SWITCH,	1		74	RHD30119-L	SCREW	1	
S7206	EVQ11A04M	SWITCH,	1		75	RHD30119-L	SCREW	1	
					76	RHD30111-31	SCREW	1	
W100	ERJ6GEY0R00V	1/8W 0	1		77	RHD34001	SCREW	1	
W101	ERJ6GEY0R00V	1/8W 0	1		78	RHD34001	SCREW	1	
W102	ERJ6GEY0R00V	1/8W 0	1		79	RHD34001	SCREW	1	

DMR-BW500GNK

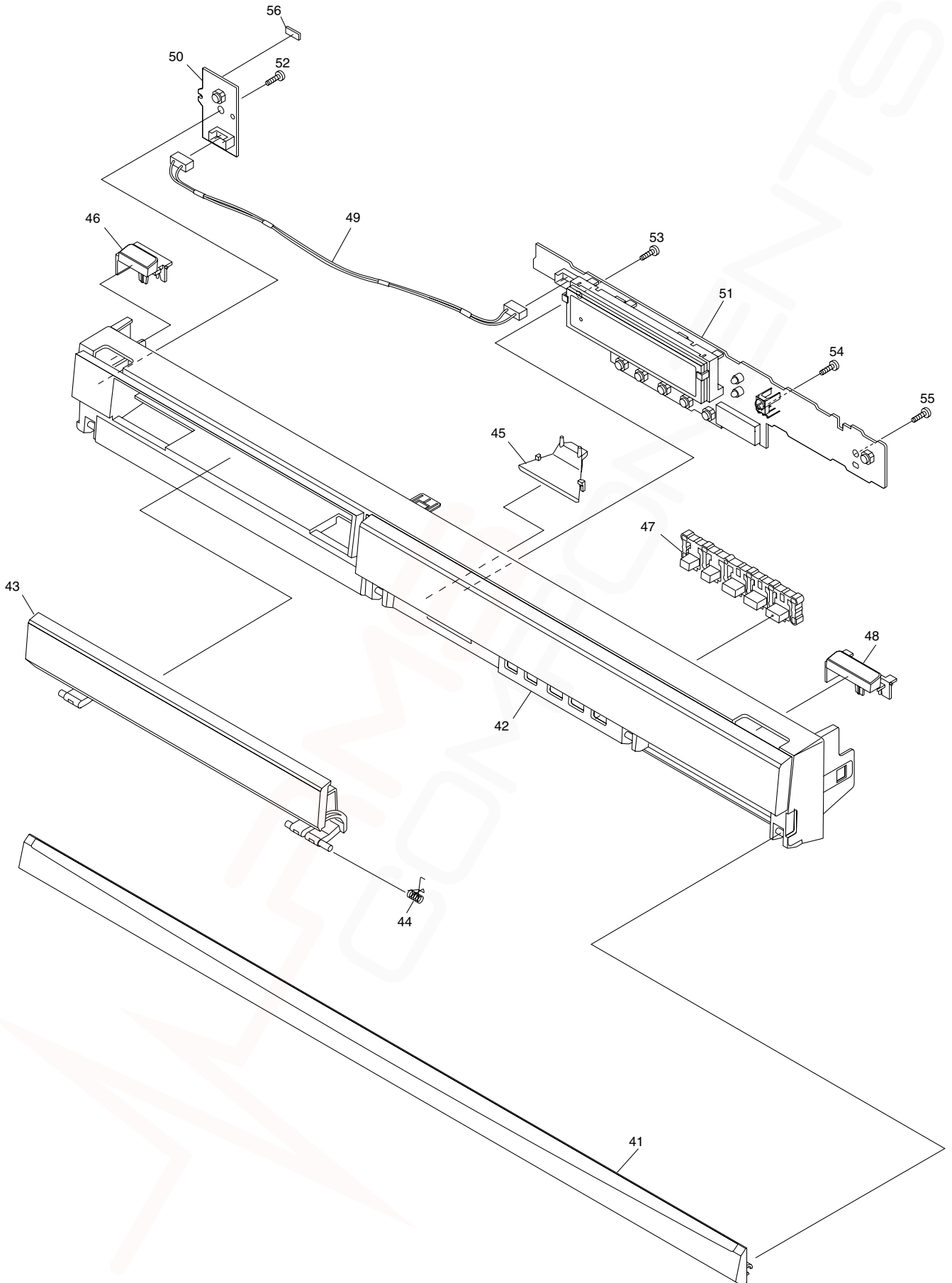
Ref.No.	Part No.	Part Name & Description	Pcs	Remarks	Ref.No.	Part No.	Part Name & Description	Pcs	Remarks
80	RHD34001	SCREW	1		A2	K2CJ2DA00011	AC CORD	1	
81	XSN3+4FJ	SCREW	1		A3	K2KA6BA00003	AV CABLE	1	
82	XSN3+4FJ	SCREW	1		A4	XZB10X30C03Z	POLYETHYLENE BAG	1	
84	RHDC0003-1	SCREW	1		A5	XZB15X30A04Z	POLYETHYLENE BAG	1	
85	RHDC0003-1	SCREW	1		A6	RPF0378	POLYETHYLENE BAG	1	
86	RHDC0003-1	SCREW	1		A7	RQCA1715	SET-UP GUIDE	1	
87	RHDC0003-1	SCREW	1		A8	RQT9131-L	OPERATING INSTRUCTIONS	1	
A 88	RYK1529A-K1	TOP CASE	1		A9	N2QAYB000271	REMOTE CONTROL UNITS	1	
A 89	VXY2016-SER	BD DRIVE	1		A9-1	100300037800	BATTERY COVER	1	
90	RHD30111-31	SCREW	1						
91	RHD30111-31	SCREW	1		PC1	RPG8540	PACKING CASE	1	
92	RHD30113-1K	SCREW	1		PC2	RPN2049	CUSHION	1	
93	RHD30113-1K	SCREW	1		PC3	VPF0505	POLYETHYLENE BAG	1	
94	VHD0690-1	SCREW	1						
95	VHD0690-1	SCREW	1						
96	VHD0690-1	SCREW	1						
97	RHD30111-31	SCREW	1						
98	RHD30111-31	SCREW	1						
99	RHD30111-31	SCREW	1						
##	M2								
41	RYF0833A-K	DOOR ASS'Y	1						
42	RFKGRBW500GN	FRONT PANEL ASS'Y2	1						
43	RFKGRYF0838K	TRAY DOOR ASS'Y	1						
44	RMB0879	BRINDER SPRING	1						
45	RGL0714-Q	REFLECTOR CASE	1						
46	RGU2575A-K1	POWER BUTTON	1						
47	RGU2576-K	PLAY BUTTON	1						
48	RGU2577A-K	OPEN BUTTON	1						
49	VEE1E42-1	FRONT CABLE	1						
50	VEP70226A	FRONT(L)P.C.B.	1	(RTL)					
51	VEP70227A	FRONT(R)P.C.B.	1	(RTL)					
52	RHD26045	SCREW	1						
53	RHD26045	SCREW	1						
54	RHD26045	SCREW	1						
55	RHD26045	SCREW	1						
56	RMX0430	SPACER	1						
##	M3								
A 101	VQL1J70	LASER CAUTION LABEL	1						
102	VMA0V86	YOKE	1						
103	VMD5751	UPPER BASE	1						
104	VMD5752-1	CLAMPER	1						
105	VMT1876	DUST COVER A	1						
106	VMZ3737	CLAMP COVER	1						
107	VMD5750	TRAY U	1						
108	VHD1653-1	SCREW	1						
109	VHD1653-1	SCREW	1						
110	VHD1653-1	SCREW	1						
111	VHD1653-1	SCREW	1						
112	VMD5753	MID BASE	1						
113	VDG1713	PULLEY GEAR	1						
114	VDG1714	MID GEAR	1						
115	VDG1715	DRIVE GEAR	1						
116	VEM0867	LOADING MOTOR U	1						
117	VHD1653-1	SCREW	1						
118	VMD5748	MECHA CHASSIS	1						
119	VMD5749	SLIDE CAM	1						
120	VMG1809	BELT	1						
121	VMT1877	DUST COVER B	1						
122	VHD1518-1	SCREW	1						
123	VHD1518-1	SCREW	1						
124	VHD1518-1	SCREW	1						
125	VHD1518-1	SCREW	1						
126	VMG1810	DAMPER	1						
127	VMG1810	DAMPER	1						
128	VMG1810	DAMPER	1						
129	VMG1810	DAMPER	1						
##	M4								
A1	VJA1089	RF COAXIAL CABLE	1						

# S8. Exploded View

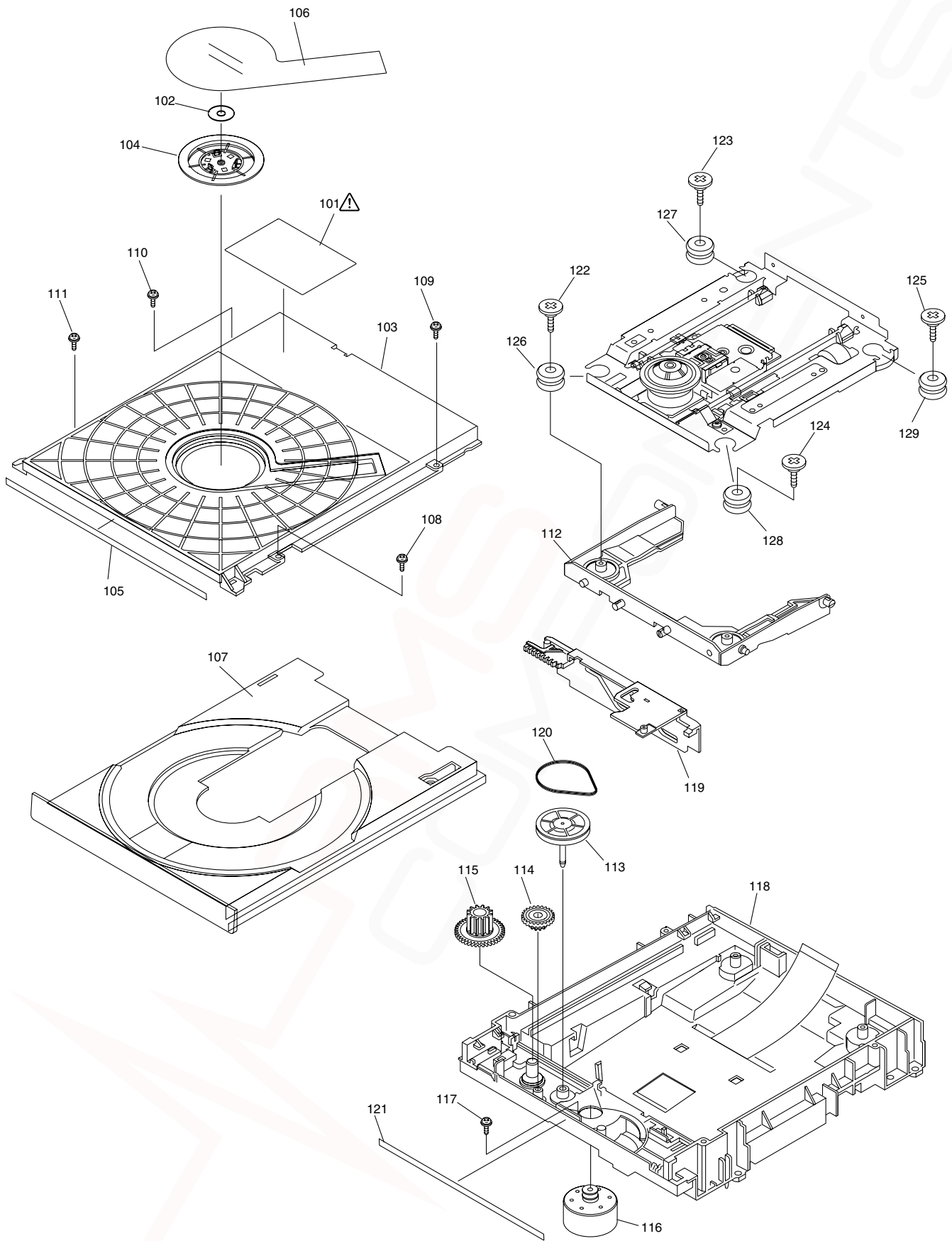
## S8.1. Frame and Casing Section (1)



## S8.2. Frame and Casing Section (2)



### S8.3. Mechanism Section



## S8.4. Packing Parts and Accessories Section

