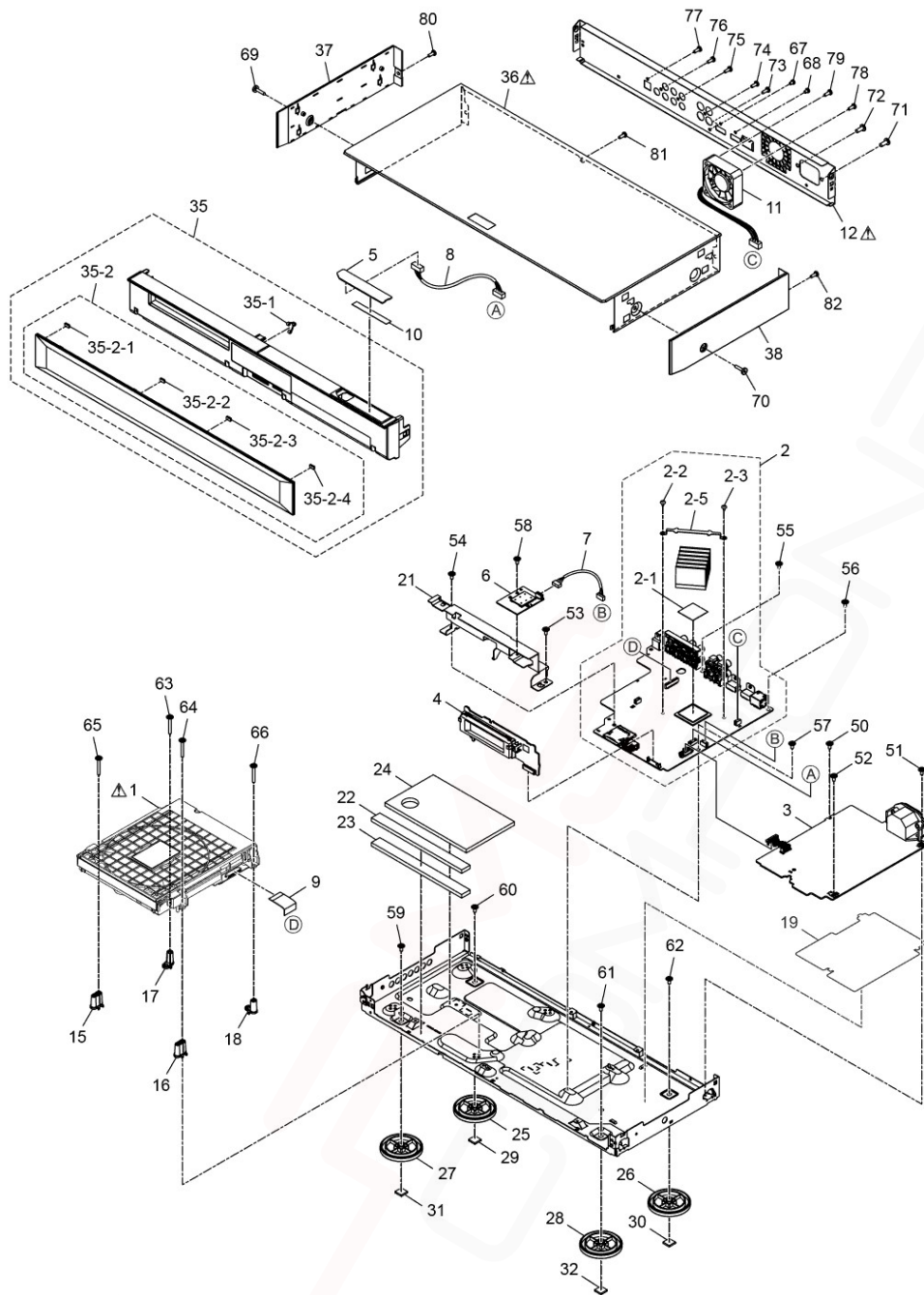
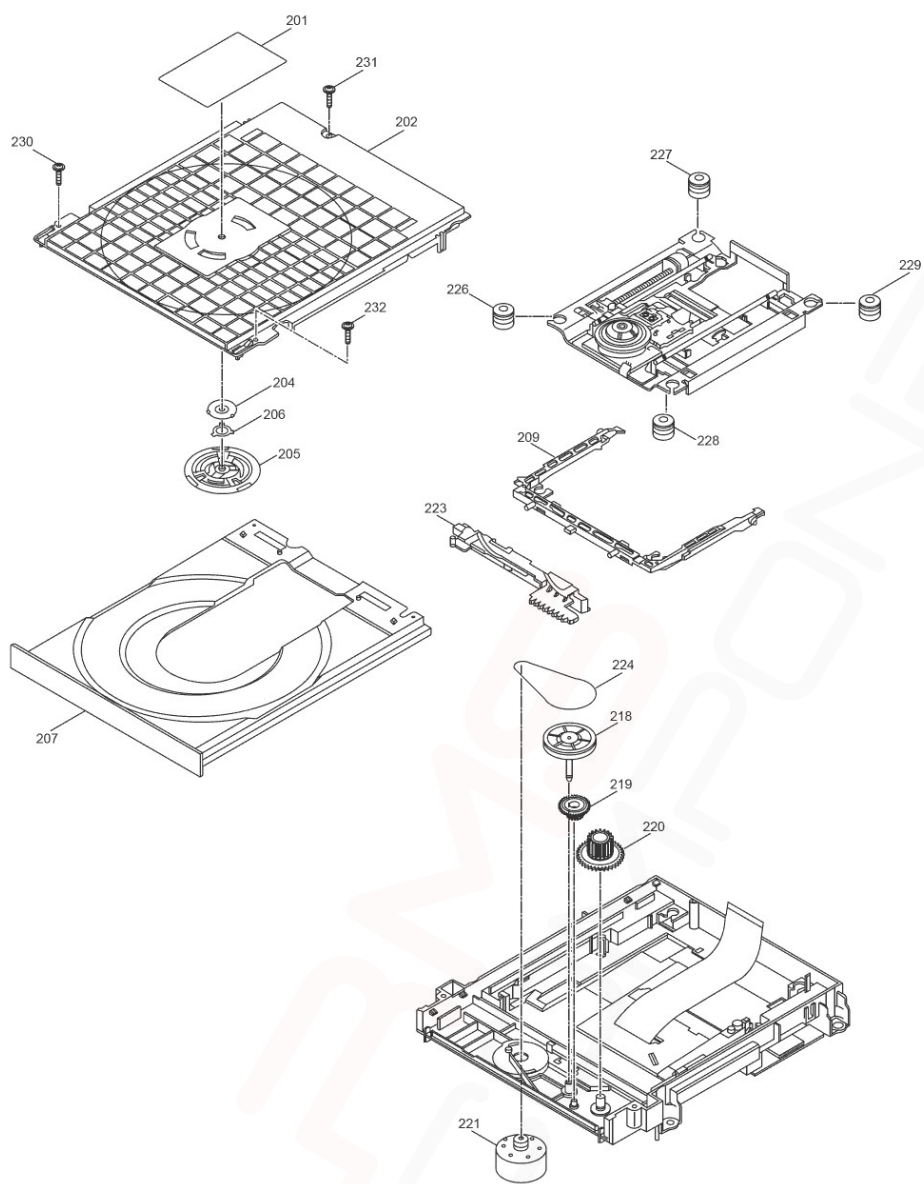


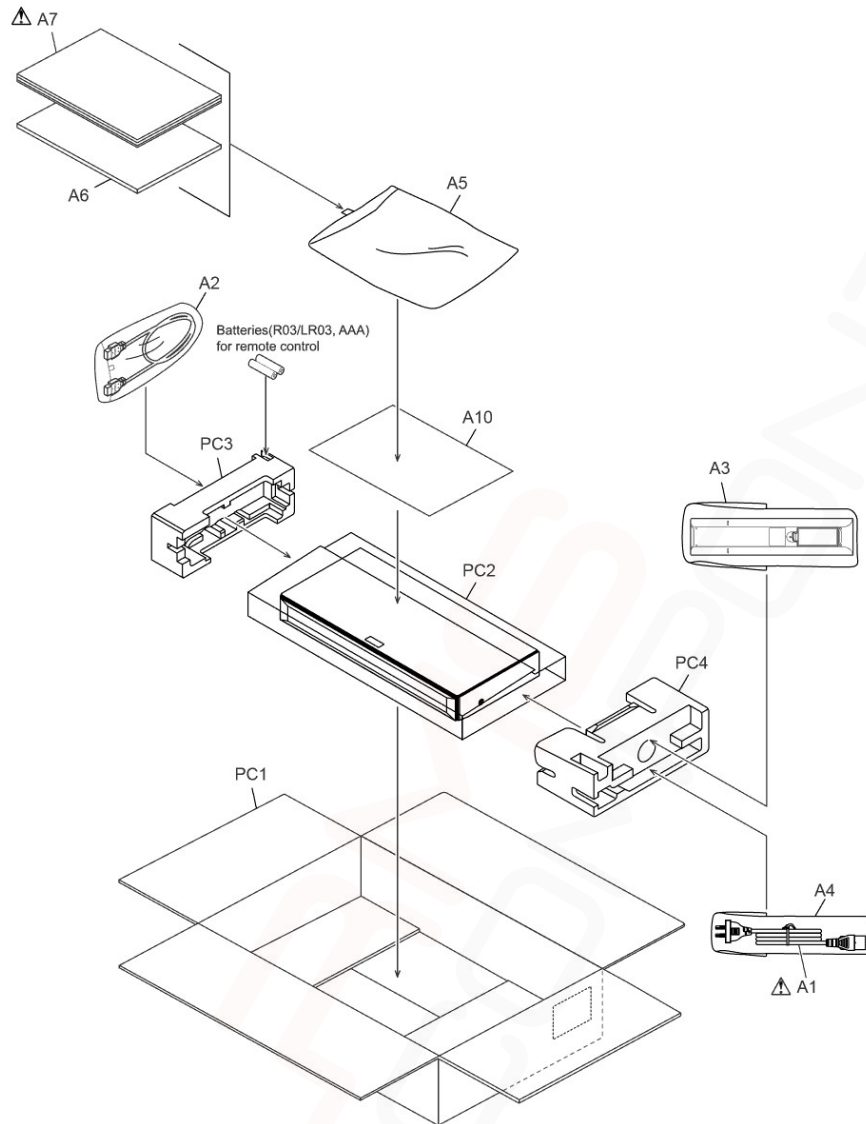
Model No. : DMP-UB900GN Frame and Casing Section



Model No. : DMP-UB900GN Mechanism View



Model No. : DMP-UB900GN Packing Parts and Accessories Section



Model No. : DMP-UB900GN Parts List

Change	Safety	Ref. No.	Part No.	Part Name & Description	Q'ty	Remarks
	⚠	1	TXP0004	BD DRIVE	1	
		2	TZTEP01A1JA	DIGITAL P.C.B.	1	E.S.D.
		2-1	RMQ1513	THERMAL PAD	1	
		2-2	VJF0036-B	NYLON RIVETS	1	
		2-3	VJF0036-B	NYLON RIVETS	1	
		2-5	RMC0797A	LEAF SPRING	1	
		3	SEP0765AB	MAIN P.C.B.	1	(RTL) E.S.D.
		4	SEP0766AB	FRONT FL P.C.B.	1	(RTL) E.S.D.
		5	SEP0847AB	ELECTROSTATIC SW P.C.B.	1	E.S.D.
		6	C5ZZZ0000102	WIFI MODULE	1	
		7	SEE0204	WIFI CABLE	1	
		8	SEE0242	ELECTROSTATIC SW P.C.B. CABLE	1	
		9	STJ0113	BD POWER FFC	1	
		10	SMQ0972-A	DOUBLE-SIDE TAPE	1	
		11	L6FAYYYG0007	DC FAN	1	
	⚠	12	RGR0489A-B1	REAR PANEL	1	
		15	RMR2154-K	JACK MECHANISM(FRONT)	1	
		16	RMR2154-K	JACK MECHANISM(FRONT)	1	
		17	RMR2155-K	JACK MECHANISM(REAR)	1	
		18	RMR2155-K	JACK MECHANISM(REAR)	1	
		19	RMZ1499	INSULATION SHEET	1	
		21	SMA0326	FRONT BRACKET	1	
		22	SMQ1039-A	DRIVE WASHER B	1	
		23	SMQ1039-A	DRIVE WASHER B	1	
		24	SMQ1040-A	DRIVE WASHER C	1	
		25	RKA0228A-K	FOOT BASE B	1	
		26	RKA0228A-K	FOOT BASE B	1	
		27	RKA0228B-K	FOOT BASE A	1	
		28	RKA0228B-K	FOOT BASE A	1	
		29	RMG0771-K	FOOT RUBBER	1	
		30	RMG0771-K	FOOT RUBBER	1	
		31	RMG0771-K	FOOT RUBBER	1	
		32	RMG0771-K	FOOT RUBBER	1	
		35	SYP0053E	FRONT PANEL ASS'Y	1	
		35-1	SMB0097	SPRING	1	
		35-2	SYF0084-1	DOOR ASS'Y	1	
		35-2-1	RMG0735-KJ	DOOR DAMPER	1	
		35-2-2	RMG0735-KJ	DOOR DAMPER	1	
		35-2-3	RMG0735-KJ	DOOR DAMPER	1	
		35-2-4	RMG0735-KJ	DOOR DAMPER	1	
	⚠	36	TZTYK01A2LJ	TOP CASE ASS'Y	1	
		37	SGK0307K	LEFT PANEL	1	
		38	SGK0308K	RIGHT PANEL	1	
		50	RHD30111-31	SCREW	1	
		51	RHD30111-31	SCREW	1	
		52	RHD30111-31	SCREW	1	
		53	RHD30111-31	SCREW	1	
		54	RHD30111-31	SCREW	1	
		55	RHD30111-31	SCREW	1	
		56	RHD30111-31	SCREW	1	
		57	RHD30111-31	SCREW	1	
		58	RHD30111-31	SCREW	1	
		59	RHD30111-31	SCREW	1	
		60	RHD30111-31	SCREW	1	
		61	RHD30111-31	SCREW	1	
		62	RHD30111-31	SCREW	1	
		63	RHD30209	SCREW	1	
		64	RHD30209	SCREW	1	
		65	RHD30209	SCREW	1	
		66	RHD30209	SCREW	1	
		67	XSN3+4FJK	SCREW	1	
		68	XSN3+4FJK	SCREW	1	

Model No. : DMP-UB900GN Parts List

Change	Safety	Ref. No.	Part No.	Part Name & Description	Q'ty	Remarks
		69	RHD30215	SCREW	1	
		70	RHD30215	SCREW	1	
		71	XTB4+10AFJK	SCREW	1	
		72	XTB4+10AFJK	SCREW	1	
		73	XTB3+8JFJK	SCREW	1	
		74	XTB3+8JFJK	SCREW	1	
		75	XTB3+8JFJK	SCREW	1	
		76	XTB3+8JFJK	SCREW	1	
		77	XTB3+8JFJK	SCREW	1	
		78	XTB3+8JFJK	SCREW	1	
		79	XTB3+8JFJK	SCREW	1	
		80	XTB3+8JFJK	SCREW	1	
		81	XTB3+8JFJK	SCREW	1	
		82	XTB3+8JFJK	SCREW	1	
		201	VQL2Q40	LASER CAUTION LABEL	1	
		202	VMD6581-6	UPPER BASE	1	
		204	VMA0Y49	YOKE	1	
		205	VMD6582-2	CLAMPER	1	
		206	VMG2026	CLAMP COVER	1	
		207	VMD6583-1	TRAY	1	
		209	VMD6587-5	MID BASE	1	
		218	VDG1774	PULLEY GEAR	1	
		219	VDG1775	MID GEAR	1	
		220	VDG1776	DRIVE GEAR	1	
		221	VEM0897	LOADING MOTOR U	1	
		223	VMD6585-2	SLIDE CAM	1	
		224	VMG1720	BELT	1	
		226	VMG2027	DAMPER	1	
		227	VMG2027	DAMPER	1	
		228	VMG2027	DAMPER	1	
		229	VMG2027	DAMPER	1	
		230	XTV26+10GFJ	SCREW	1	
		231	XTV26+10GFJ	SCREW	1	
		232	XTV26+10GFJ	SCREW	1	
	⚠	A1	K2CJ2YY00097	AC CORD	1	
		A2	K1HY19YY0048	COAXIAL CABLE	1	
		A3	N2QAYA000128	REMOTE CONTROL ASS'Y	1	
		A4	SPF0040-1	POLYETHYLENE BAG	1	
		A5	RPFC0119-1	POLYETHYLENE BAG	1	
		A6	RPQ2927	PAD	1	
	⚠	A7	SQT1350	OPERATING INSTRUCTIONS	1	
		A10	TQDS19006	HDR LEAFLET	1	
		PC1	SPU0231	PACKING CASE	1	
		PC2	RPF0739	POLYETHYLENE BAG	1	
		PC3	RPN2708A-3	CUSHION (L)	1	
		PC4	RPN2708B-3	CUSHION (R)	1	