

Service Manual

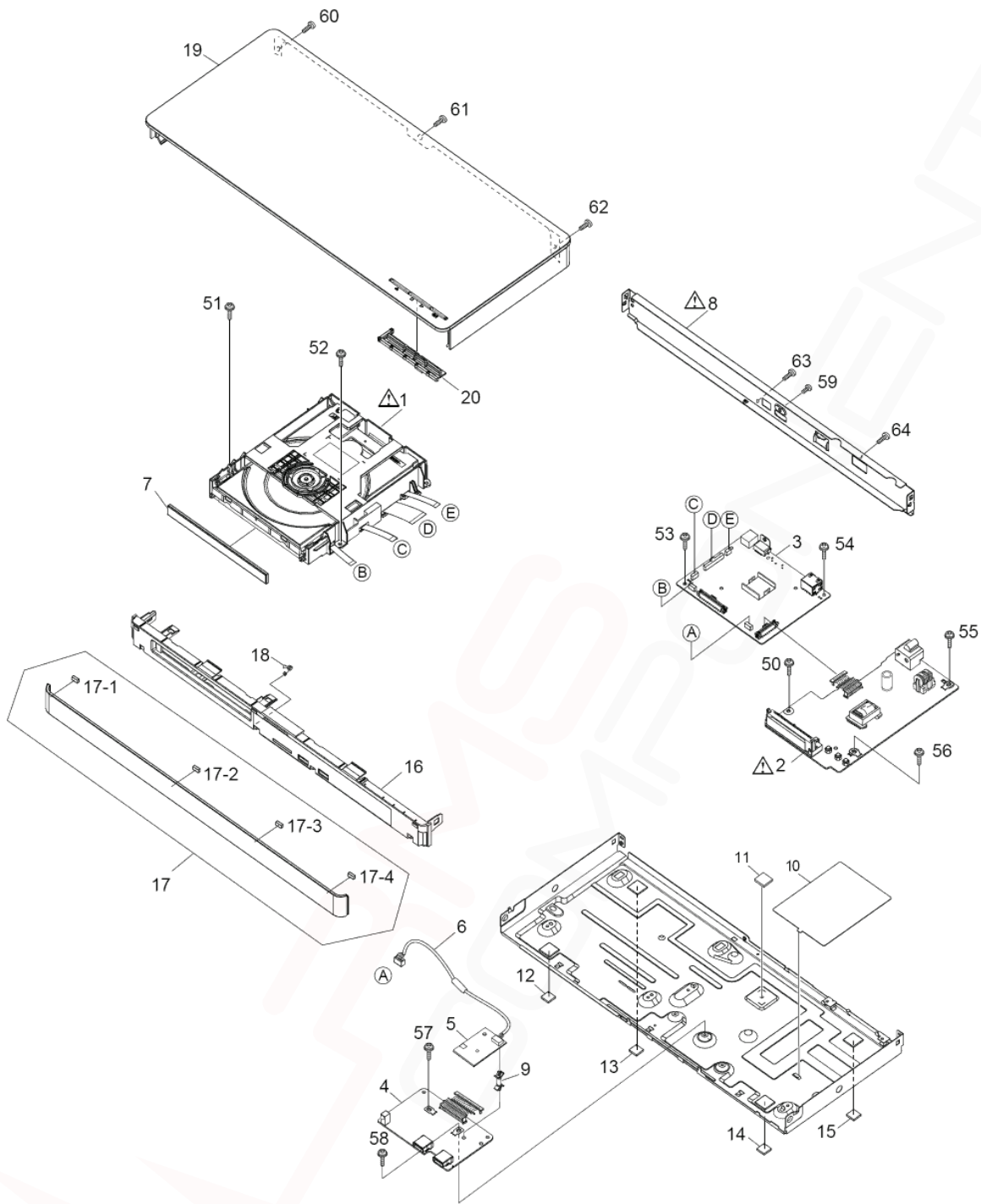
Blu-ray Disc Player

Model No. **DMP-BDT370GN**
DMP-BDT370GA

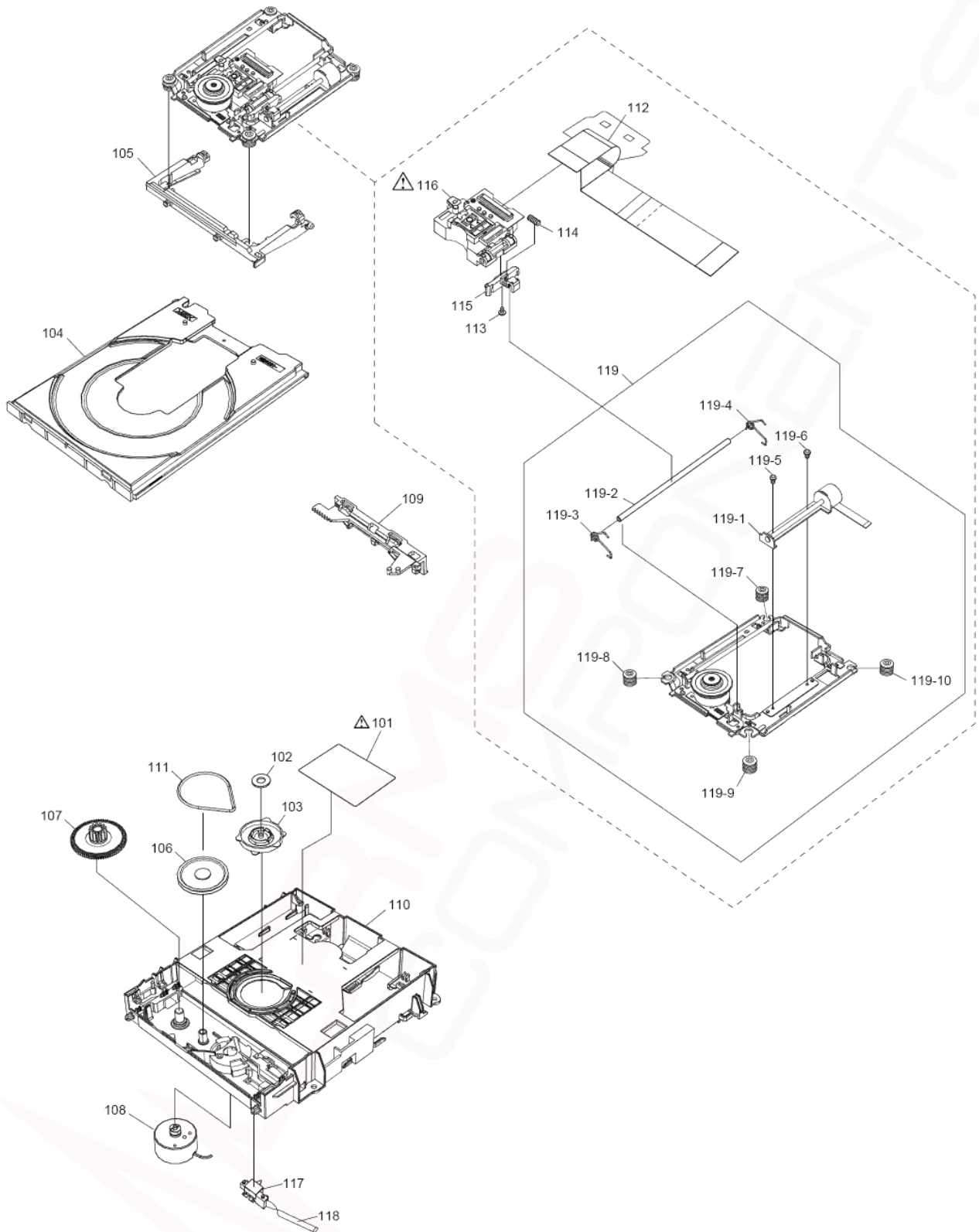


Colour
(K).....Black Type

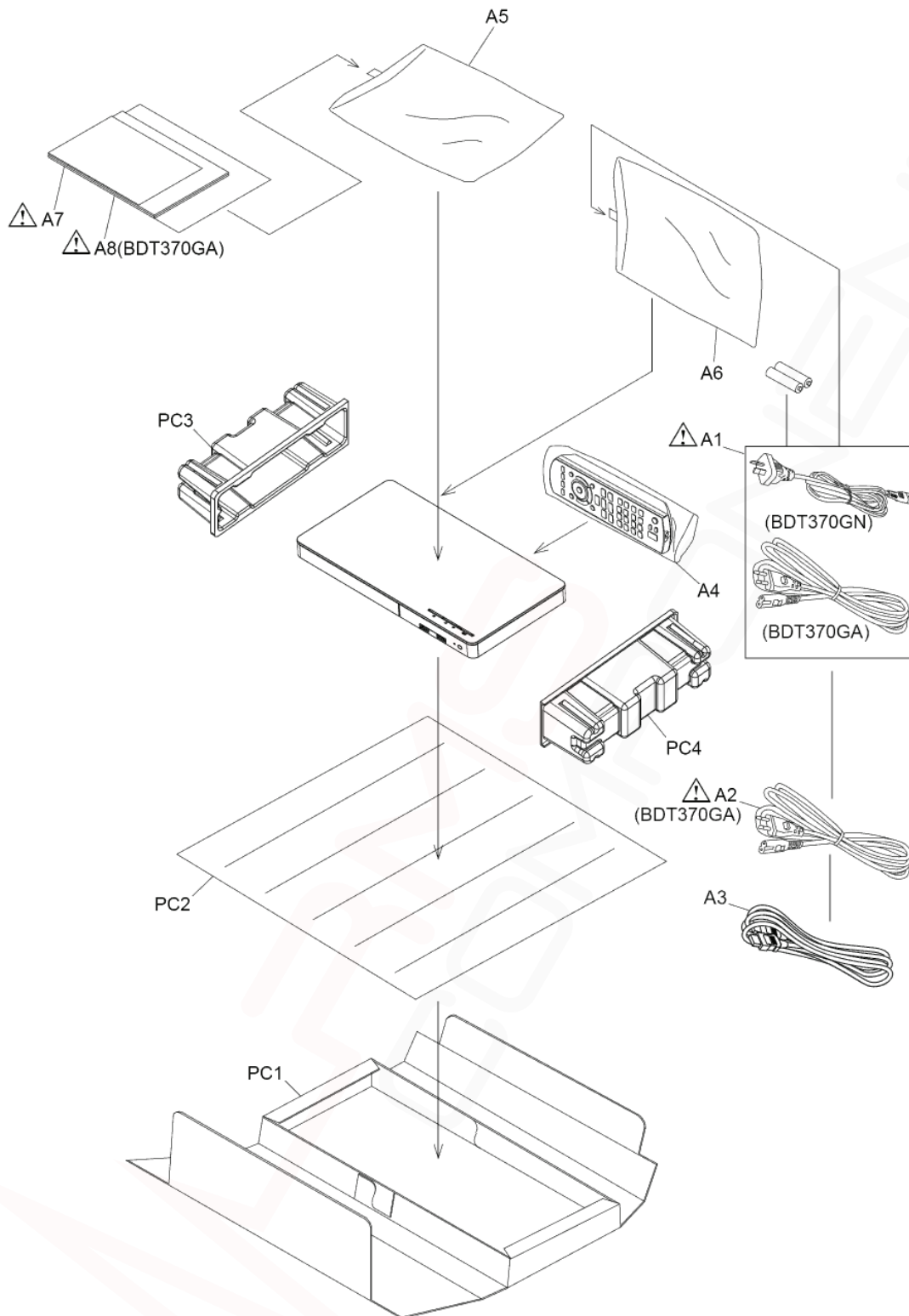
Model No. : DMP-BDT370GA/DMP-BDT370GN Exploded View



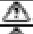
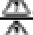



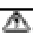
Model No. : DMP-BDT370GA/DMP-BDT370GN Mechanism View



Model No. : DMP-BDT370GA/DMP-BDT370GN Packing View



Model No. : DMP-BDT370GA/DMP-BDT370GN Parts List

Change	Safety	Ref. No.	Part No.	Part Name & Description	Q'ty	Remarks
			■	CASING		
		1	VXY2171T	BD DRIVE	1	ADJ
		2	SEP0413AC	POWER P.C.B.	1	(RTL) E.S.D. BDT370GN
		2	SEP0413AD	POWER P.C.B.	1	(RTL) E.S.D. BDT370GA
		3	SUKB0349ADT	DIGITAL P.C.B.	1	E.S.D. ADJ BDT370GN
		3	SUKB0349AET	DIGITAL P.C.B.	1	E.S.D. ADJ BDT370GA
		4	SEP0414AC	SD_USB P.C.B.	1	(RTL) E.S.D. BDT370GN
		4	SEP0414AD	SD_USB P.C.B.	1	(RTL) E.S.D. BDT370GA
		5	C5ZZZ0000098	WIFI MODULE	1	
		6	SEE0162	WIFI CABLE	1	
		7	RGK2298-K	TRAY PANEL	1	
		8	RGR0445N-N	REAR PANEL	1	BDT370GN
		8	RGR0445N-Q3	REAR PANEL	1	BDT370GA
		9	RMX0504	SPACER	1	
		10	RMZ1266	BOTTOM CASE INSULATION SHEET	1	
		11	RSC1271	HEAT RADIATION PLATE	1	
		12	RKA0243-KU	FOOT RUBBER	1	
		13	RKA0243-KU	FOOT RUBBER	1	
		14	RKA0243-KU	FOOT RUBBER	1	
		15	RKA0243-KU	FOOT RUBBER	1	
		16	SUKG000048	FRONT PANEL ASS'Y U	1	BDT370GN
		16	SUKG000043	FRONT PANEL ASS'Y U	1	BDT370GA
		17	RYF0986E-Q	TRAY DOOR ASS'Y U	1	
		17-1	RMG0849-K	DOOR DAMPER	1	
		17-2	RMG0849-K	DOOR DAMPER	1	
		17-3	RMG0849-K	DOOR DAMPER	1	
		17-4	RMG0849-K	DOOR DAMPER	1	
		18	RMB0973-J	SPRING	1	
		19	RKM0747-K1	TOP CASE	1	
		20	RGU2954-K	FUNCTION BUTTON	1	
		50	RHD30168-J	SCREW	1	
		51	RHD30168-J	SCREW	1	
		52	RHD30168-J	SCREW	1	
		53	RHD30168-J	SCREW	1	
		54	RHD30168-J	SCREW	1	
		55	RHD30168-J	SCREW	1	
		56	RHD30168-J	SCREW	1	
		57	RHD30168-J	SCREW	1	
		58	RHD30168-J	SCREW	1	
		59	XSN3+4FJ	SCREW	1	
		60	XTB3+8JFJ	SCREW	1	
		61	XTB3+8JFJ	SCREW	1	
		62	XTB3+8JFJ	SCREW	1	
		63	RHD30119-U	SCREW	1	
		64	RHD30119-U	SCREW	1	
		101	VQL2P54	LASER CAUTION LABEL	1	
		102	VMA0V86	YOKE	1	
		103	VMD6392-J	CLAMPER	1	
		104	VMD6881-1	TRAY	1	
		105	VMD6580	MID BASE	1	
		106	VDG1756-1J	PULLEY GEAR	1	
		107	VDG1757-J	MID GEAR	1	
		108	VEM0896-J	LOADING MOTOR U	1	
		109	VMD6390-J	SLIDE CAM	1	
		110	VMD6882-2	MECHA CHASSIS	1	
		111	VMG1720	BELT	1	
		112	VMJ2400-3	PICKFFC	1	
		113	VHD2268	NUT PIECE SCREW	1	
		114	VMB4004-J	NUT PIECE SPRING	1	
		115	VMD6754	NUT PIECE	1	
		116	VXA9068-SER	OPU	1	ADJ
		117	K0L1CE000001	SWITCH	1	

Model No. : DMP-BDT370GA/DMP-BDT370GN Parts List

Change	Safety	Ref. No.	Part No.	Part Name & Description	Q'ty	Remarks
		118	VWJ2304	SW FFC	1	
		119	VXA9067-SER	TRAVERSE UNIT	1	
		119-1	L6KAYYYH0010	STEPPING MOTOR	1	
		119-2	VMS8126	SHAFT	1	
		119-3	VMB4682	SHAFT SPRING	1	
		119-4	VMB4682	SHAFT SPRING	1	
		119-5	XTN2+4FFJ	STEPPING MOTOR SCREW	1	
		119-6	XTN2+4FFJ	STEPPING MOTOR SCREW	1	
		119-7	VMG2037	DAMPER	1	
		119-8	VMG2037	DAMPER	1	
		119-9	VMG2037	DAMPER	1	
		119-10	VMG2037	DAMPER	1	
			■	ACCESSORY		
	⚠	A1	K2CJ2DA00014	AC CORD	1	BDT370GN
	⚠	A1	K2CQ2YY00126	AC CORD	1	BDT370GA
	⚠	A2	K2CP2YY00061	AC CORD	1	BDT370GA
		A3	K1HY19YY0027	HDMI CORD	1	
		A4	N2QAYB000959	REMOTE CONTROL UNIT	1	BDT370GA
		A4	N2QAYB001031	REMOTE CONTROL UNIT	1	BDT370GN
		A5	RPFC0023-1	POLYETHYLENE BAG	1	
		A6	RPFC0119-1	POLYETHYLENE BAG	1	
	⚠	A7	SQT0753-1	OPERATING INSTRUCTIONS	1	
	⚠	A8	SQT0694	OPERATING INSTRUCTIONS	1	BDT370GA
			■	PACKING		
		PC1	RYQ1550-Z	PACKING CASE	1	BDT370GN
		PC1	RYQ1551-Z	PACKING CASE	1	BDT370GA
		PC2	RPF0662	POLYETHYLENE BAG	1	
		PC3	RPN2736	CUSHION	1	
		PC4	RPN2736	CUSHION	1	