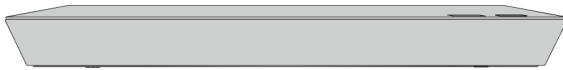


# Service Manual

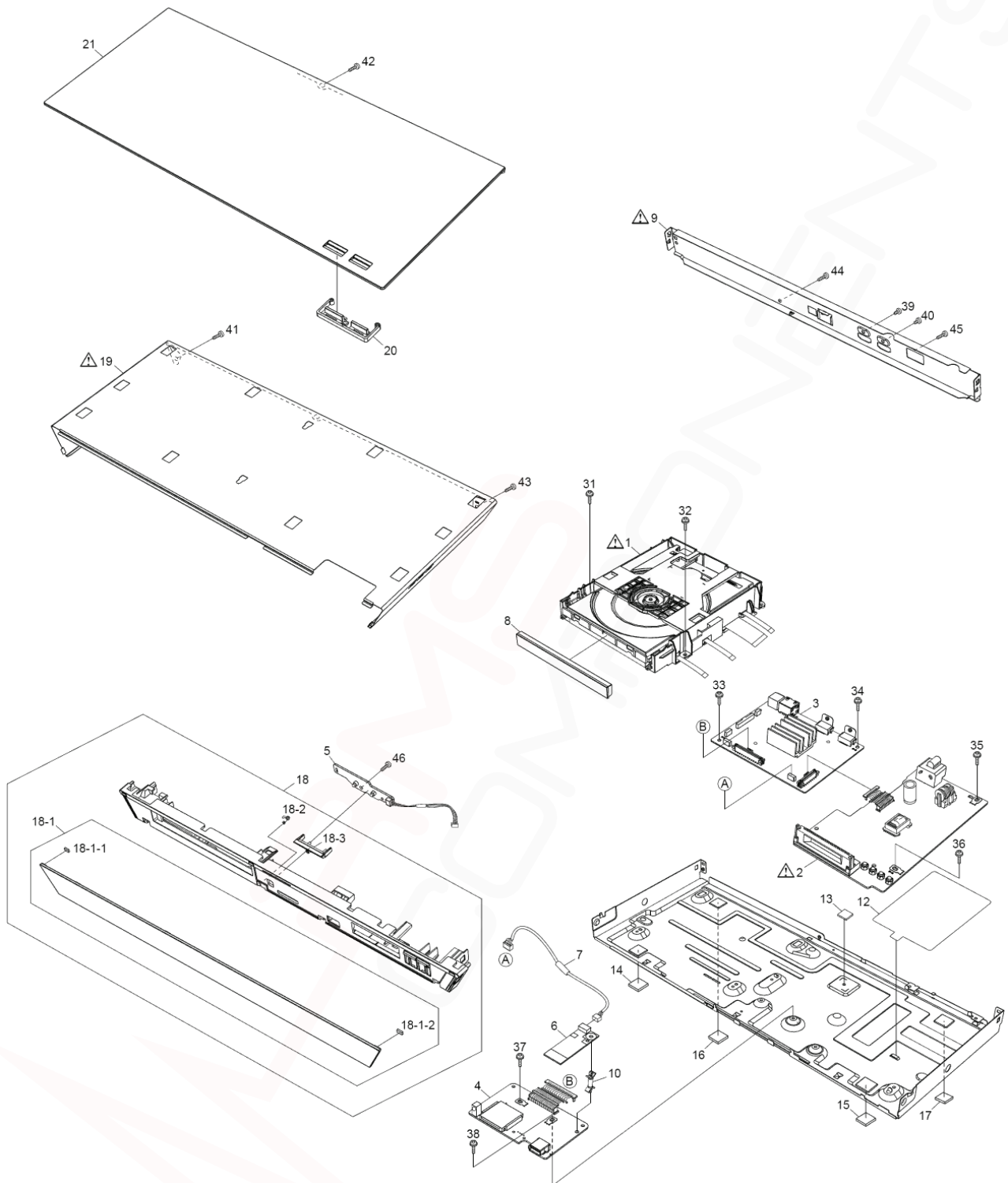
Blu-ray Disc Player

Model No. **DMP-BDT330GA**  
**DMP-BDT330GN**  
**DMP-BDT330PU**

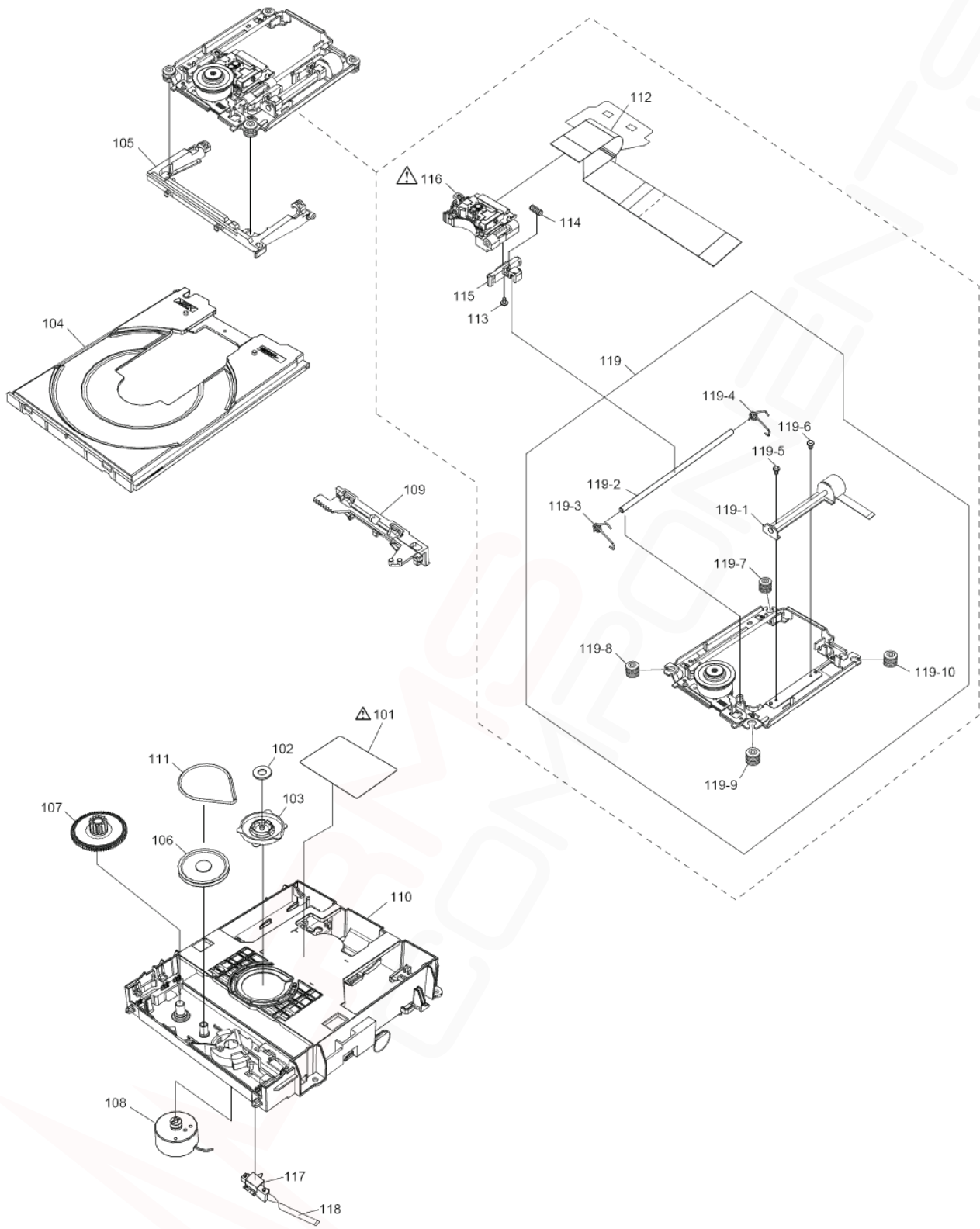


Colour  
(S).....Silver Type

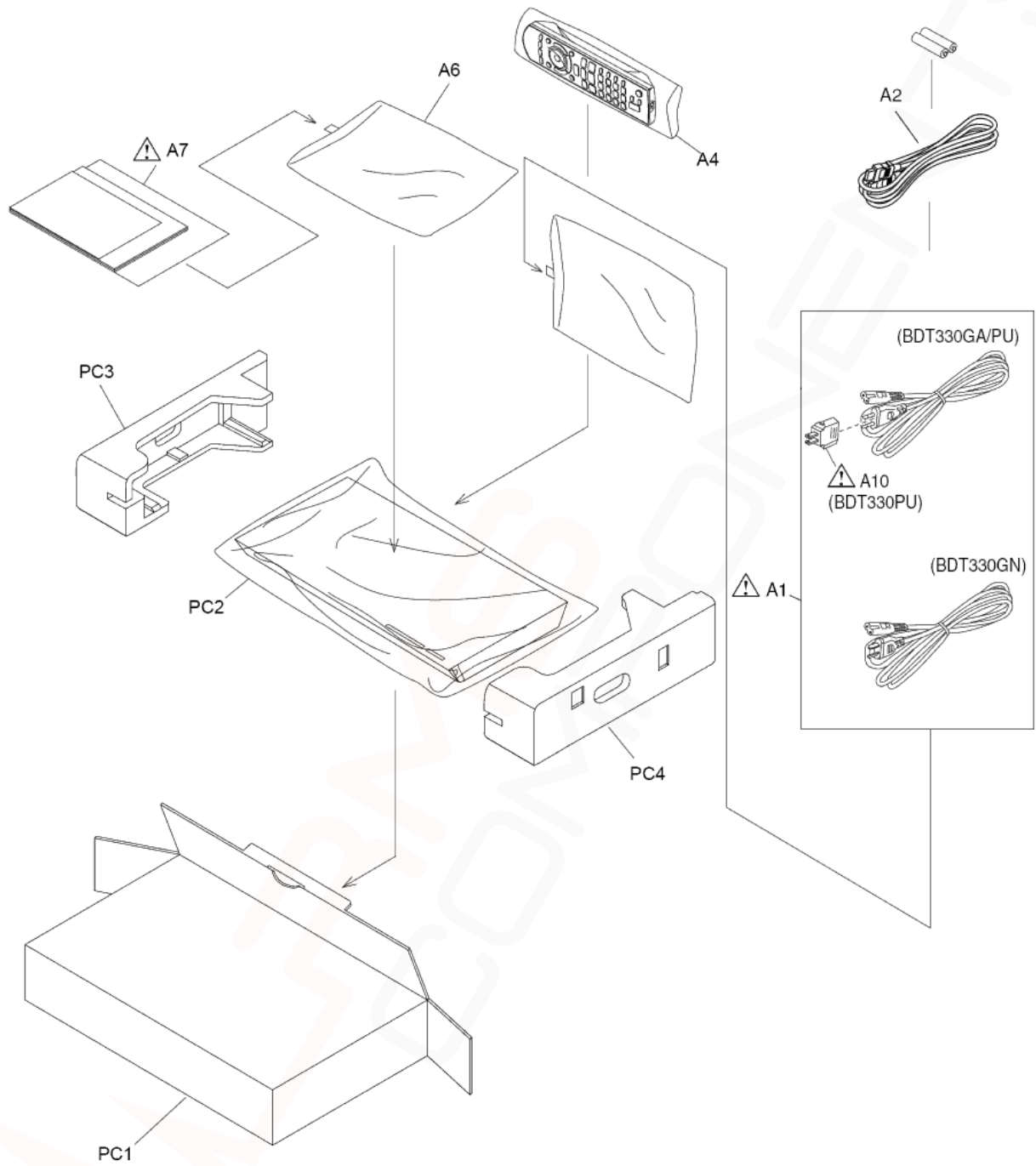
**Model No. : DMP-BDT330GA/DMP-BDT330GN/DMP-BDT330PU Exploded View**



**Model No. : DMP-BDT330GA/DMP-BDT330GN/DMP-BDT330PU Mechanism View**



**Model No. : DMP-BDT330GA/DMP-BDT330GN/DMP-BDT330PU Packing View**



**Model No. : DMP-BDT330GA/DMP-BDT330GN/DMP-BDT330PU Parts List**

| Change | Safety | Ref. No. | Part No.     | Part Name & Description      | Q'ty | Remarks               |
|--------|--------|----------|--------------|------------------------------|------|-----------------------|
|        |        |          | ■            | CASING                       |      |                       |
|        | ⚠      | 1        | VXY2171T     | BD DRIVE                     | 1    | ADJ                   |
|        | ⚠      | 2        | VEP71322Y    | POWER P.C.B.                 | 1    | (RTL) E.S.D. BDT330GA |
|        | ⚠      | 2        | VEP71322W    | POWER P.C.B.                 | 1    | (RTL) E.S.D. BDT330GN |
|        | ⚠      | 2        | VEP71322G    | POWER P.C.B.                 | 1    | (RTL) E.S.D. BDT330PU |
|        |        | 3        | RFKB76327RAT | DIGITAL P.C.B.               | 1    | E.S.D. ADJ BDT330GA   |
|        |        | 3        | RFKB76327FT  | DIGITAL P.C.B.               | 1    | E.S.D. ADJ BDT330GN   |
|        |        | 3        | RFKB76327RT  | DIGITAL P.C.B.               | 1    | E.S.D. ADJ BDT330PU   |
|        |        | 4        | VEP70639B    | SD_USB P.C.B.                | 1    | (RTL) E.S.D.          |
|        |        | 5        | VEP70636A    | LED P.C.B.                   | 1    | (RTL) E.S.D.          |
|        |        | 6        | C5ZZZ0000085 | Wi-Fi MODULE                 | 1    |                       |
|        |        | 7        | VEE1P26      | CABLE                        | 1    |                       |
|        |        | 8        | RGK2298-H    | TRAY DOOR PANEL              | 1    |                       |
|        | ⚠      | 9        | RGR0445B-E1  | REAR PANEL                   | 1    | BDT330GA              |
|        | ⚠      | 9        | RGR0445B-D   | REAR PANEL                   | 1    | BDT330GN              |
|        | ⚠      | 9        | RGR0445B-C   | REAR PANEL                   | 1    | BDT330PU              |
|        |        | 10       | RMX0504      | SPACER                       | 1    |                       |
|        |        | 12       | RMZ1266      | BOTTOM CASE INSULATION SHEET | 1    |                       |
|        |        | 13       | RSC0905      | HEAT RADIATION PLATE         | 1    |                       |
|        |        | 14       | RKA0297-K    | FOOT RUBBER                  | 1    |                       |
|        |        | 15       | RKA0297-K    | FOOT RUBBER                  | 1    |                       |
|        |        | 16       | RKA0239-KJ   | FOOT RUBBER                  | 1    |                       |
|        |        | 17       | RKA0239-KJ   | FOOT RUBBER                  | 1    |                       |
|        |        | 18       | RFKGRYP1898A | FRONT PANEL ASS'Y U          | 1    |                       |
|        |        | 18-1     | RYF0972-Q    | DOOR ASS'Y U                 | 1    |                       |
|        |        | 18-1-1   | RMG0849-K    | DAMPER                       | 1    |                       |
|        |        | 18-1-2   | RMG0849-K    | DAMPER                       | 1    |                       |
|        |        | 18-2     | RMB0973      | DOOR SPRING                  | 1    |                       |
|        |        | 18-3     | RGL0720-Q    | LED SHEET                    | 1    |                       |
|        | ⚠      | 19       | RKM0715A-S   | TOP CASE                     | 1    |                       |
|        |        | 20       | RGU2879-S    | FUNCTION BUTTON              | 1    |                       |
|        |        | 21       | RKM0716-S1   | TOP ORNAMENT (COVER)         | 1    |                       |
|        |        | 31       | RHD30168-J   | SCREW                        | 1    |                       |
|        |        | 32       | RHD30168-J   | SCREW                        | 1    |                       |
|        |        | 33       | RHD30168-J   | SCREW                        | 1    |                       |
|        |        | 34       | RHD30168-J   | SCREW                        | 1    |                       |
|        |        | 35       | RHD30168-J   | SCREW                        | 1    |                       |
|        |        | 36       | RHD30168-J   | SCREW                        | 1    |                       |
|        |        | 37       | RHD30168-J   | SCREW                        | 1    |                       |
|        |        | 38       | RHD30168-J   | SCREW                        | 1    |                       |
|        |        | 39       | XSN3+4FJ     | SCREW                        | 1    |                       |
|        |        | 40       | XSN3+4FJ     | SCREW                        | 1    |                       |
|        |        | 41       | XTB3+8JFJ    | SCREW                        | 1    |                       |
|        |        | 42       | XTB3+8JFJ    | SCREW                        | 1    |                       |
|        |        | 43       | XTB3+8JFJ    | SCREW                        | 1    |                       |
|        |        | 44       | RHD30119-U   | SCREW                        | 1    |                       |
|        |        | 45       | RHD30119-U   | SCREW                        | 1    |                       |
|        | ⚠      | 46       | RHD26045-J   | SCREW                        | 1    |                       |
|        |        | 101      | VQL2P54      | LASER CAUTION LABEL          | 1    |                       |
|        |        | 102      | VMA0V86      | YOKE                         | 1    |                       |
|        |        | 103      | VMD6392-J    | CLAMPER                      | 1    |                       |
|        |        | 104      | VMD6881      | TRAY                         | 1    |                       |
|        |        | 105      | VMD6580      | MID BASE                     | 1    |                       |
|        |        | 106      | VDG1756-1J   | PULLEY GEAR                  | 1    |                       |
|        |        | 107      | VDG1757-J    | MID GEAR                     | 1    |                       |
|        |        | 108      | VEM0896-J    | LOADING MOTOR U              | 1    |                       |
|        |        | 109      | VMD6390-J    | SLIDE CAM                    | 1    |                       |
|        |        | 110      | VMD6882-1    | MECHA CHASSIS                | 1    |                       |
|        |        | 111      | VMG1720      | BELT                         | 1    |                       |
|        |        | 112      | VWJ2400      | PICKFFC                      | 1    |                       |
|        |        | 113      | VHD2268      | NUT PIECE SCREW              | 1    |                       |
|        |        | 114      | VMB4004-J    | NUT PIECE SPRING             | 1    |                       |

**Model No. : DMP-BDT330GA/DMP-BDT330GN/DMP-BDT330PU Parts List**

| Change | Safety | Ref. No. | Part No.     | Part Name & Description | Q'ty | Remarks          |
|--------|--------|----------|--------------|-------------------------|------|------------------|
|        |        | 115      | VMD6754      | NUT PIECE               | 1    |                  |
|        | ⚠      | 116      | VXA9068-SER  | OPU                     | 1    | ADJ              |
|        |        | 117      | K0L1CE000001 | SWITCH                  | 1    |                  |
|        |        | 118      | VWJ2304      | SW FFC                  | 1    |                  |
|        |        | 119      | VXA9067-SER  | TRAVERSE UNIT           | 1    |                  |
|        |        | 119-1    | L6KAYYYH0010 | STEPPING MOTOR          | 1    |                  |
|        |        | 119-2    | VMS8126      | SHAFT                   | 1    |                  |
|        |        | 119-3    | VMB4682      | SHAFT SPRING            | 1    |                  |
|        |        | 119-4    | VMB4682      | SHAFT SPRING            | 1    |                  |
|        |        | 119-5    | XTN2+4FFJ    | STEPPING MOTOR SCREW    | 1    |                  |
|        |        | 119-6    | XTN2+4FFJ    | STEPPING MOTOR SCREW    | 1    |                  |
|        |        | 119-7    | VMG1966      | DAMPER                  | 1    |                  |
|        |        | 119-8    | VMG1966      | DAMPER                  | 1    |                  |
|        |        | 119-9    | VMG1966      | DAMPER                  | 1    |                  |
|        |        | 119-10   | VMG1966      | DAMPER                  | 1    |                  |
|        |        |          | ■            | ACCESSORY               |      |                  |
|        | ⚠      | A1       | K2CP2YY00061 | AC CORD                 | 1    | BDT330GA         |
|        | ⚠      | A1       | K2CQ2CA00007 | AC CORD                 | 1    | BDT330GA/PU      |
|        | ⚠      | A1       | K2CJ2DA00014 | AC CORD                 | 1    | BDT330GN         |
|        |        | A2       | K1HY19YY0011 | HDMI CABLE              | 1    |                  |
|        |        | A4       | N2QAYB000878 | REMOTE CONTROL UNIT     | 1    | BDT330GA/GN      |
|        |        | A4       | N2QAYB000875 | REMOTE CONTROL UNIT     | 1    | BDT330PU         |
|        |        | A6       | RPFC0119-1   | POLYETHYLENE BAG        | 1    |                  |
|        | ⚠      | A7       | VQT4W95-1    | OPERATING INSTRUCTIONS  | 1    | (IA) BDT330GA/GN |
|        | ⚠      | A7       | VQT4W96      | OPERATING INSTRUCTIONS  | 1    | (IC) BDT330GA    |
|        | ⚠      | A7       | VQT4W94-1    | OPERATING INSTRUCTIONS  | 1    | (IB) BDT330PU    |
|        | ⚠      | A10      | K2DAYYY00002 | POWER PLUG ADAPTOR      | 1    | BDT330PU         |
|        |        |          | ■            | PACKING                 |      |                  |
|        |        | PC1      | RYQ1283-Z    | PACKING CASE            | 1    | BDT330GA         |
|        |        | PC1      | RYQ1285-Z    | PACKING CASE            | 1    | BDT330GN         |
|        |        | PC1      | RYQ1286-Z    | PACKING CASE            | 1    | BDT330PU         |
|        |        | PC2      | RPF0662      | POLYETHYLENE BAG        | 1    |                  |
|        |        | PC3      | RPN2573A     | CUSHION (A)             | 1    |                  |
|        |        | PC4      | RPN2573B     | CUSHION (B)             | 1    |                  |