

# Service Manual

Blu-ray Disc Player

Model No. **DMP-BDT320GA**  
**DMP-BDT320GC**  
**DMP-BDT320GN**  
**DMP-BDT320PU**



Colour  
(K).....Black Type

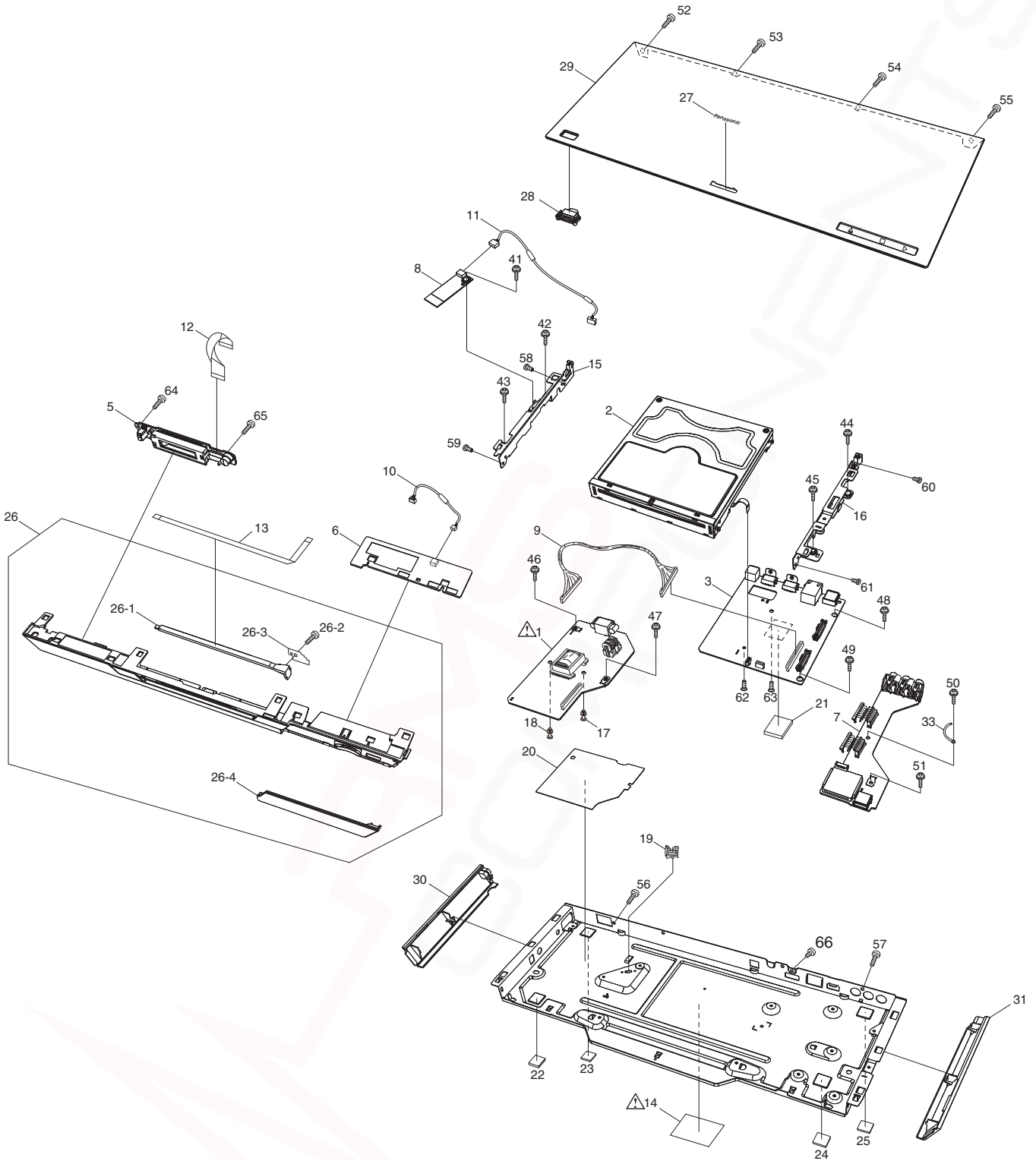
**Panasonic**<sup>®</sup>

Panasonic Corporation © 2012.  
Unauthorized copying and distribution is a violation  
of law.

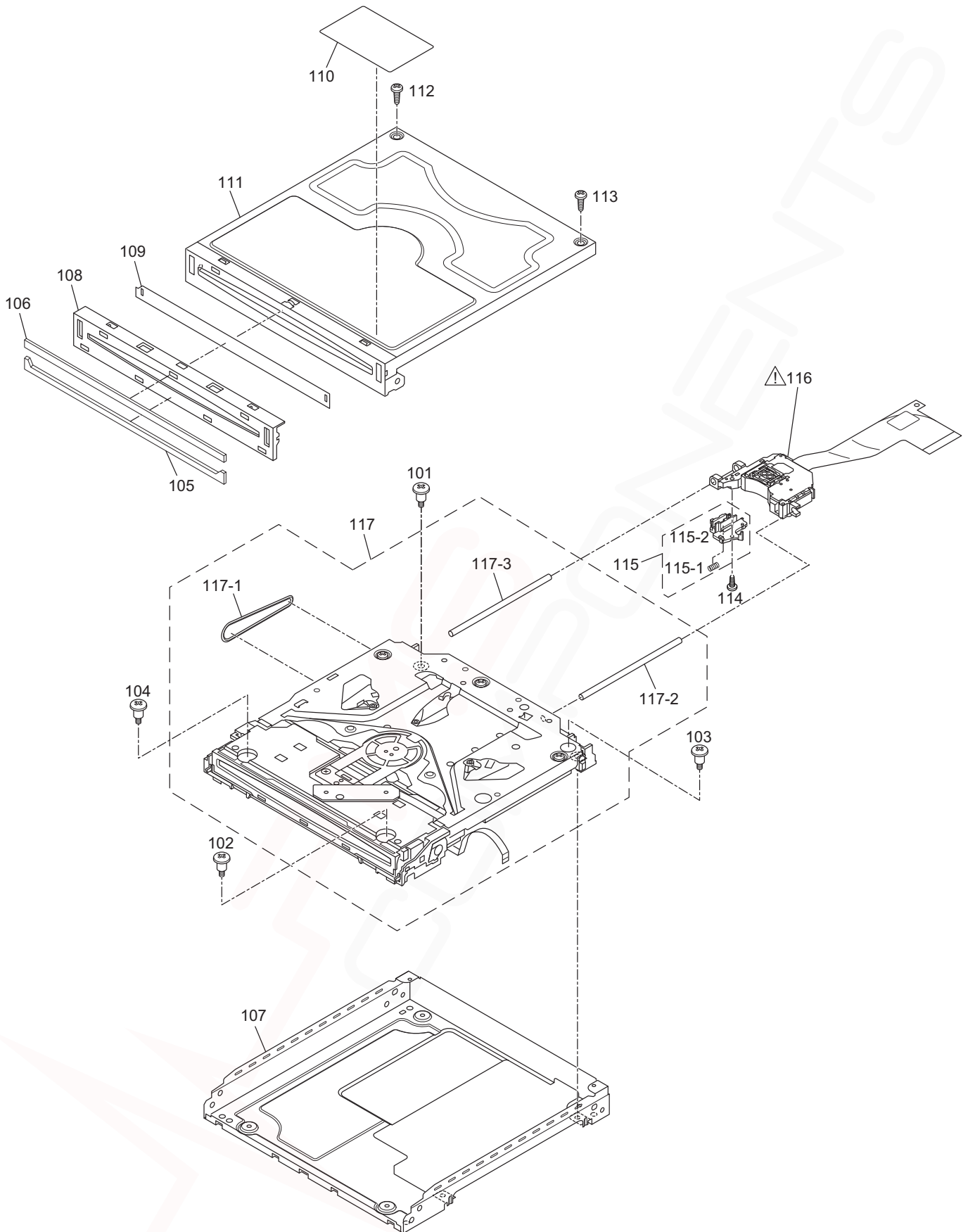
# 15 Exploded View and Replacement Parts List

## 15.1. Exploded Views and Mechanical Replacement Parts List

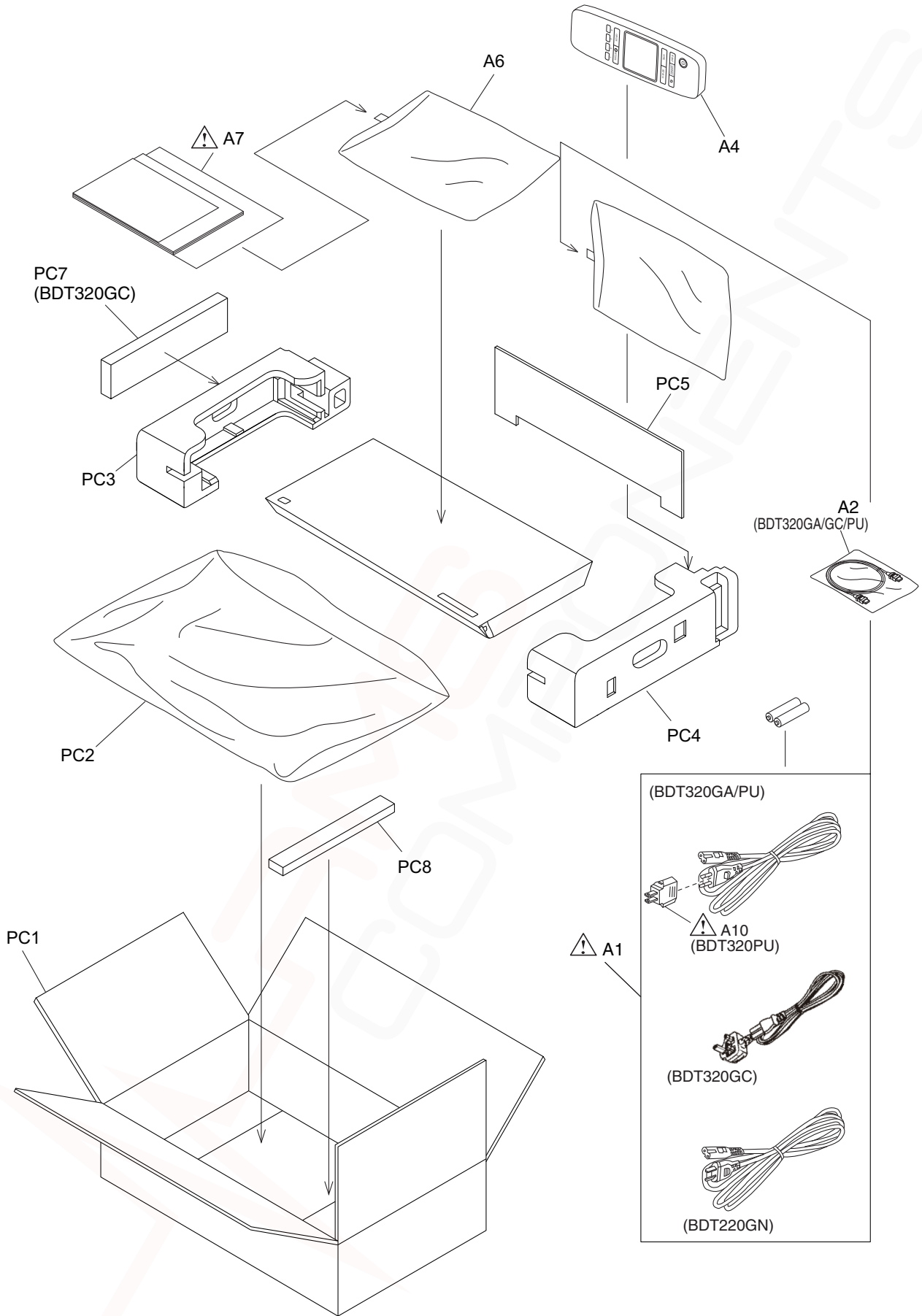
### 15.1.1. Casing Parts & Mechanism Section



## 15.1.2. Mechanism Section



### 15.1.3. Packing & Accessories Section



## 15.1.4. Mechanical Replacement Parts List

### Notes:

\*Important safety notice:

Components identified by  $\triangle$  mark have special characteristics important for safety.

Furthermore, special parts which have purposes of fire-retardant (resistors), high-quality sound (capacitors), low-noise (resistors), etc. are used.

When replacing any of components, be sure to use only manufacture's specified parts shown in the parts list.

\*Warning: This product uses a laser diode. Refer to caution statements.

\*Capacity values are in microfarads ( $\mu$ F) unless specified otherwise, P=Pico-farads (pF), F=Farads (F).

\*Resistance values are in ohms, unless specified otherwise, 1K=1,000 (OHM), 1M=1,000k (OHM).

\*The marking (RTL) indicates the retention time is limited for this item. After the discontinuation of this assembly in production, it will no longer be available.

\*\*"(IA), (ID)" marks in Remarks indicate languages of instruction manuals. [(IA): Spanish; (IB): English; (IC): Traditional Chinese; (ID): Arabic]

\*All parts are supplied by CHPAVC.

**E.S.D. standards for Electrostatically Sensitive Devices, refer to "PREVENTION OF ELECTROSTATIC DISCHARGE (ESD) TO ELECTROSTATICALLY SENSITIVE (ES) DEVICES" section.**

### Notes:

\*Parts indicated with "ADJ" in the Remarks column are necessary to adjustment value initialization adjust.

Safety	Ref. No.	Part No.	Part Name & Description	Pcs	Remarks
			CASING		
$\triangle$	1	VEP71266D	POWER P.C.B.	1	(RTL) E.S.D. BDT320PU
$\triangle$	1	VEP71250C	POWER P.C.B.	1	(RTL) E.S.D. BDT320GA /GC/GN
	2	VXY2138	BD DRIVE	1	ADJ
	3	RFKB76273BUT	DIGITAL P.C.B.	1	E.S.D. ADJ BDT320PU
	3	RFKB76273ET	DIGITAL P.C.B.	1	E.S.D. ADJ BDT320GA
	3	RFKB76273FT	DIGITAL P.C.B.	1	E.S.D. ADJ BDT320GC
	3	RFKB76273JT	DIGITAL P.C.B.	1	E.S.D. ADJ BDT320GN
	5	VEP70497A	FL_SEN P.C.B.	1	(RTL) E.S.D.
	6	VEP70498A	SW_LED P.C.B.	1	(RTL) E.S.D.
	7	VEP73205B	SD_AV P.C.B.	1	(RTL) E.S.D.
	8	C5ZZZ0000065	INTERNAL WIRELESS MODULE	1	(RTL) E.S.D.

Safety	Ref. No.	Part No.	Part Name & Description	Pcs	Remarks
	9	VEE1L11	POWER TO DIGITAL PCB CABLE	1	
	10	VEE1L12	FRONT SW CABLE	1	
	11	VEE1M07	WLAN CABLE	1	
	12	VWJ2333	FFC	1	
	13	VWJ2340	FFC	1	
$\triangle$	14	RGN3113F-S1	NAME LABEL	1	BDT320PU
$\triangle$	14	RGN3113C-S1	NAME LABEL	1	BDT320GA
$\triangle$	14	RGN3113D-S1	NAME LABEL	1	BDT320GC
$\triangle$	14	RGN3113E-S1	NAME LABEL	1	BDT320GN
	15	RMA2349	LEFT BRACKET	1	
	16	RMA2350	RIGHT BRACKET	1	
	17	RMN1030	BRACKET	1	
	18	RMN1030	BRACKET	1	
	19	RMR2057-W	CABLE BRACKET	1	
	20	RMZ1256	INSULATION SHEET	1	
	21	RSC0962	HEAT RADIATION PLATE	1	
	22	RKA0243-KU	FOOT RUBBER	1	
	23	RKA0243-KU	FOOT RUBBER	1	
	24	RKA0243-KU	FOOT RUBBER	1	
	25	RKA0243-KU	FOOT RUBBER	1	
	26	RYP1721C-K	FRONT PANEL ASS'Y	1	
	26-1	RGL0759-Q	LED SHEET	1	
	26-2	RHD26045-J	SCREW	1	
	26-3	RMV0400	COPPER SHEET	1	
	26-4	RYF0925-K	DOOR ASS'Y	1	
	27	RGB0181-SJ	TRADEMARK	1	
	28	RGU2757-K	POWER SW BUTTON	1	
	29	RKM0660A-K	TOP CASE	1	
	30	RGK2296-K	SIDE PANEL L	1	
	31	RGK2297-K	SIDE PANEL R	1	
	33	VJF1535	WIRE	1	
	41	RHD30168-J	SCREW	1	
	42	RHD30168-J	SCREW	1	
	43	RHD30168-J	SCREW	1	
	44	RHD30168-J	SCREW	1	
	45	RHD30168-J	SCREW	1	
	46	RHD30168-J	SCREW	1	
	47	RHD30168-J	SCREW	1	
	48	RHD30168-J	SCREW	1	
	49	RHD30168-J	SCREW	1	
	50	RHD30168-J	SCREW	1	
	51	RHD30168-J	SCREW	1	
	52	XTB3+8JFJ	SCREW	1	
	53	XTB3+8JFJ	SCREW	1	
	54	XTB3+8JFJ	SCREW	1	
	55	XTB3+8JFJ	SCREW	1	
	56	XTB3+8JFJ	SCREW	1	
	57	XTB3+8JFJ	SCREW	1	
	58	XTN26+4FFJ	SCREW	1	
	59	XTN26+4FFJ	SCREW	1	
	60	XTN26+4FFJ	SCREW	1	
	61	XTN26+4FFJ	SCREW	1	
	62	XTN26+4FFJ	SCREW	1	
	63	XTN26+4FFJ	SCREW	1	
	64	RHD26045-J	SCREW	1	
	65	RHD26045-J	SCREW	1	
	66	XSN3+4FJ	SCREW	1	
	101	RHD20077	BASE SCREW	1	
	102	RHD20077	BASE SCREW	1	
	103	RHD20077	BASE SCREW	1	
	104	RHD20077	BASE SCREW	1	
	105	RMV0397	FRONT CUSHION	1	
	106	RMV0404	FRONT UPPER CUSHION	1	
	107	VMA0Y37	BOTTOM COVER	1	
	108	VMD6572	BEZEL	1	
	109	VMT2214	TRAY DOOR	1	
	110	VQL2P54	LASER CAUTION LABEL	1	
	111	VXA8993	TOP COVER ASS'Y	1	
	112	XTB2+4FFJ	SCREW	1	
	113	XTB2+4FFJ	SCREW	1	

Safety	Ref. No.	Part No.	Part Name & Description	Pcs	Remarks
	114	RHD17066-1	NUT PIECE SCREW	1	
	115	VXA8989	NUT PIECE ASS'Y	1	
	115-1	RMB0844	NUT PIECE SPRING	1	
	115-2	VMD6571	NUT PIECE	1	
△	116	RAF3621A-C	OPU	1	ADJ
	117	VXA8988-SER	BD DRIVE ASS'Y (WITHOUT OPU)	1	
	117-1	RDV0077	BELT	1	
	117-2	RMU0097	SHAFT	1	
	117-3	RMU0097	SHAFT	1	
		■	ACCESSORY		
△	A1	K2CP2CA00001	AC CORD	1	BDT320GA
△	A1	K2CZ3YY00005	AC CORD	1	BDT320GC
△	A1	K2CJ2DA00014	AC CORD	1	BDT320GN
△	A1	K2CQ2CA00007	AC CORD	1	BDT320PU /GA/GC
	A2	K1HY19YY0014	HDMI CABLE	1	BDT320PU /GA/GC
	A4	N2QAYB000710	REMOTE CONTROL UNIT	1	BDT320PU
	A4	N2QAYB000713	REMOTE CONTROL UNIT	1	BDT320GA /GC/GN
	A6	RPFC0119-1	POLYETHYLENE BAG	1	BDT320GN
△	A7	VQT3V70	OPERATING INSTRUCTIONS	1	(IA) BDT320PU
△	A7	VQT3V87	OPERATING INSTRUCTIONS	1	(IB) BDT320GA /GC/GN
△	A7	VQT3V88	OPERATING INSTRUCTIONS	1	(IC) BDT320GA
△	A7	VQT3V89	OPERATING INSTRUCTIONS	1	(ID) BDT320GC
△	A10	K2DAYYY00002	POWER PLUG ADAPTOR	1	BDT320PU
		■	PACKING		
	PC1	RYQ1011-Z	PACKING CASE	1	BDT320GA
	PC1	RYQ1012-Z	PACKING CASE	1	BDT320GC
	PC1	RYQ1013-Z	PACKING CASE	1	BDT320GN
	PC1	RYQ1014-Z	PACKING CASE	1	BDT320PU
	PC2	RPF0536	POLYETHYLENE BAG	1	
	PC3	RPN2369A	CUSHION (A)	1	
	PC4	RPN2369B	CUSHION (B)	1	
	PC5	RPQ2964-1	PAD	1	
	PC7	RPQ2994	PAD	1	BDT320GC
	PC8	RPQ3008	PAD	1	

## 15.2. Electrical Replacement Parts List

### Notes:

\*Important safety notice:

Components identified by  $\triangle$  mark have special characteristics important for safety.

Furthermore, special parts which have purposes of fire-retardant (resistors), high-quality sound (capacitors), low-noise (resistors), etc. are used.

When replacing any of components, be sure to use only manufacture's specified parts shown in the parts list.

\*Warning: This product uses a laser diode. Refer to caution statements.

\*Capacity values are in microfarads ( $\mu$ F) unless specified otherwise, P=Pico-farads (pF), F=Farads (F).

\*Resistance values are in ohms, unless specified otherwise, 1K=1,000 (OHM), 1M=1,000k (OHM).

\*The marking (RTL) indicates the retention time is limited for this item. After the discontinuation of this assembly in production, it will no longer be available.

\*All parts are supplied by CHPAVC.

**E.S.D. standards for Electrostatically Sensitive Devices, refer to "PREVENTION OF ELECTROSTATIC DISCHARGE (ESD) TO ELECTROSTATICALLY SENSITIVE (ES) DEVICES" section.**

### Notes:

\*Parts indicated with "ADJ" in the Remarks column are necessary to adjustment value initialization adjust.

Safety	Ref. No.	Part No.	Part Name & Description	Pcs	Remarks
		VEP71266D	POWER P.C.B.		(RTL) E. S. D. BDT320PU
		VEP71250C	POWER P.C.B.		(RTL) E. S. D. BDT320GA /GC/GN
$\triangle$	C1001	F0CAF683A021	250V 0.068U	1	
$\triangle$	C1005	F1B2G4710001	100V 470U	1	
$\triangle$	C1006	F1B2G4710001	100V 470U	1	
$\triangle$	C1007	F0CAF223A021	250V 0.022U	1	
	C1014	F2A2G470A294	400V 47U	1	
	C1015	F2A2G2200023	400V 22U	1	BDT320PU
$\triangle$	C1018	F1BAF1020020	1000P	1	
	C1021	F1A3D470A010	2000V 47P	1	
	C1022	F2A1H2200055	50V 22U	1	
	C1024	F1H1H103A219	50V 0.01U	1	
	C1114	F1H1C104A071	50V 0.01U	1	
	C1118	F2A1C8210008	16V 820U	1	
	C1121	F2A1A1020072	10V 1000U	1	BDT320GA /GC/GN
	C1124	F1H1C104A071	16V 0.1U	1	
	C1125	F2A1C8210008	16V 820U	1	
	C1130	F2A1A1020072	10V 1000U	1	BDT320GA /GC/GN
	C1131	F1H1H221A004	50V 220P	1	
	C1132	F1H1H221A004	50V 220P	1	
	C1133	F1H1H221A004	50V 220P	1	
	C1172	F2A1V470A831	35V 47U	1	
	C1173	F2A1H100B040	50V 10U	1	
	C1174	F2A1C221B111	16V 220U	1	
	C1175	F1H1H392A013	50V 3900	1	
	C1176	F2A1C221B111	16V 220U	1	
	C14301	F1J1C1060001	16V 10U	1	BDT320PU
	C14302	F1J1C1060001	16V 10U	1	BDT320PU
	C14303	F1H1C104A071	16V 0.1U	1	BDT320PU

Safety	Ref. No.	Part No.	Part Name & Description	Pcs	Remarks
	C14304	F1H1C104A071	16V 0.1U	1	BDT320PU
	C14305	F1H1H181A004	50V 180P	1	BDT320PU
	C14306	F1H1H103A219	50V 0.01U	1	BDT320PU
	C14308	F2A1C8210008	16V 820U	1	BDT320PU
	D1006	B0EDKT000007	DIODE	1	E. S. D.
	D1021	DZ2W22000L	DIODE	1	E. S. D.
	D1022	B0ADM000003	DIODE	1	E. S. D.
	D1023	B0BA01700055	DIODE	1	E. S. D.
	D1031	B0BB20000009	DIODE	1	E. S. D.
	D1110	B0JARL000004	DIODE	1	E. S. D.
	D1111	B0JARL000004	DIODE	1	E. S. D. BDT320GA /GC/GN
	D1112	B0JARL000004	DIODE	1	E. S. D. BDT320PU
	D1171	B0BA02100019	DIODE	1	E. S. D.
	D1172	B0BA03600021	DIODE	1	E. S. D.
	D1173	B0ADM000003	DIODE	1	E. S. D.
	D1175	B0BA01800018	DIODE	1	E. S. D.
	D1176	B0JAMD000026	DIODE	1	E. S. D.
	D14301	B0JCND000021	DIODE	1	E. S. D. BDT320PU
$\triangle$	F1001	K5G202Y00006	FUSE	1	
	IC1021	C0DACYY00011	IC	1	E. S. D.
	IC1103	C0DBZYY00486	IC	1	E. S. D.
	IC14301	C0DBAZZ00132	IC	1	E. S. D. BDT320PU
$\triangle$	IP1021	K5H2022A0011	IC PROTECTOR	1	
$\triangle$	L1001	G0B303C00002	COIL	1	
	L1103	G0A100ZA0045	COIL	1	BDT320PU
	L1103	G0C100KA0174	COIL	1	BDT320GA /GC/GN
	L1105	G0C100KA0174	COIL	1	BDT320GA /GC/GN
	L14302	G0A100ZA0045	COIL	1	BDT320PU
	LB14301	J0JHC0000048	COIL	1	BDT320PU
$\triangle$	P1001	K2AAYA000002	CONNECTOR	1	
	P1102	K1KY15AA0801	CONNECTOR	1	
	P1103	K1MNI4AA0003	CONNECTOR	1	
$\triangle$	Q1022	B3PBA0000612	TRANSISTOR	1	E. S. D.
	Q1170	B1ADGF000010	TRANSISTOR	1	E. S. D.
	Q1171	B1ABMG000008	TRANSISTOR	1	E. S. D.
	Q14301	B1CHRD000024	TRANSISTOR	1	E. S. D. BDT320PU
	QR1170	B1GBCFJJ00040	TRANSISTOR	1	E. S. D.
$\triangle$	R1006	ERJ8GEYJ335V	1/8W 3.3M	1	
$\triangle$	R1007	ERJ8GEYJ335V	1/8W 3.3M	1	
	R1021	D0GZR27JA027	1/2W 0.27	1	BDT320PU
	R1021	D0GZR47JA027	1/2W 0.47	1	BDT320GA /GC/GN
	R1022	D0GZR27JA027	1/2W 0.27	1	BDT320PU
	R1022	D0GZR47JA027	1/2W 0.47	1	BDT320GA /GC/GN
	R1030	ERJ6GEYJ4R7V	1/10W 4.7	1	
	R1032	ERJ14YJ221U	1/4W 220	1	
	R1103	ERJ3GEYJ4R7V	1/10W 4.7	1	
	R1111	ERJ3GEYJ102V	1/10W 1K	1	
	R1112	ERJ3GEYJ152V	1/10W 1.5K	1	BDT320PU
	R1112	ERJ3GEYJ471V	1/10W 470	1	BDT320GA /GC/GN
	R1113	ERJ3GEYJ103V	1/10W 10K	1	
	R1115	ERJ3RBD473V	1/16W 47K	1	BDT320PU
	R1115	ERJ3RBD222V	1/16W 2.2K	1	BDT320GA /GC/GN
	R1116	ERJ3GEYJ222V	1/16W 2.2K	1	

Safety	Ref. No.	Part No.	Part Name & Description	Pcs	Remarks
	R1117	ERJ3RED184V	1/16W 180K	1	
	R1117	ERJ3RBD123V	1/16W 12K	1	BDT320GA /GC/GN
	R1119	ERJ3RBD123V	1/16W 12K	1	BDT320GA /GC/GN
	R1121	ERJ3GEYJ470V	1/10W 47	1	BDT320GA /GC/GN
	R1171	ERJ3GEYJ472V	1/10W 4.7K	1	
	R1172	ERJ3GEYJ472V	1/10W 4.7K	1	
	R1173	ERJ3GEYJ562V	1/10W 5.6K	1	
	R1174	ERJ3GEYJ470V	1/10W 47	1	
	R1176	ERJ3GEYJ182V	1/10W 1.8K	1	
	R14302	ERJ3RBD223V	1/16W 22K	1	BDT320PU
	R14303	D1BDR027A135	1/8W 0.027	1	BDT320PU
	R14304	ERJ3RBD222V	1/16W 2.2K	1	BDT320PU
	R14305	ERJ3RBD822V	1/16W 2.2K	1	BDT320PU
	R14306	ERJ3RBD272V	1/16W 2.7K	1	BDT320PU
△	T1001	G4DYA0000376	TRANSFORMER	1	BDT320PU
△	T1001	G4DYA0000350	TRANSFORMER	1	BDT320GA /GC/GN
	T1101	G4D1A0000129	TRANSFORMER	1	
△	VA1001	ERZV10D471C2	VARISTOR	1	
	W2	ERJ6GEY0R00V	1/10W 0	1	BDT320GA /GC/GN
	W501	ERJ6GEY0R00V	1/10W 0	1	BDT320PU
	W502	ERJ6GEY0R00V	1/10W 0	1	BDT320PU
	ZA1001	K9ZZ00002324	EARTH PLATE	1	
	ZA1005	K9ZZ00002324	EARTH PLATE	1	
	■	VEP73205B	SD_AV P.C.B.		(RTL) E.S.D.
	BZ7401	L0DCDA000011	BUZZER	1	
	C3001	F1J0J106A020	6.3V 10U	1	
	C3003	F1H1C104A071	16V 0.1U	1	
	C4019	F1H1H102A004	50V 1000P	1	
	C4020	F1H1H102A004	50V 1000P	1	
	C6802	F1H1H102A013	50V 1000P	1	
	C6803	F1H1H102A013	50V 1000P	1	
	C6804	F1J0J226A014	6.3V 22U	1	
	C6805	F1H1H102A013	50V 1000P	1	
	C6806	F1H1H102A013	50V 1000P	1	
	C7001	F1H1A105A028	10V 1U	1	
	C7003	F1H1A105A028	10V 1U	1	
	IC3001	C1AB00003363	IC	1	E.S.D.
	IC7002	C0CBCDC00074	IC	1	E.S.D.
	JK3001	K2HA3YYB0026	AV JACK	1	
	LB3001	J0JYC0000070	COIL	1	
	LB6802	J0JHC0000045	COIL	1	
	LB701	J0JCC0000103	COIL	1	
	LB702	J0JCC0000103	COIL	1	
	LB703	J0JCC0000103	COIL	1	
	LB705	J0JCC0000103	COIL	1	
	LB706	J0JCC0000215	COIL	1	
	LB707	J0JCC0000215	COIL	1	
	P3001	K1KY15AA0606	CONNECTOR	1	
	P6801	K1KY15AA0606	CONNECTOR	1	
	P6802	K1NA12B00005	CONNECTOR	1	
	P6803	K1FY104B0076	CONNECTOR	1	
	Q7401	B1GBCFJJ0040	TRANSISTOR	1	E.S.D.
	Q7402	B1ABDF000033	TRANSISTOR	1	E.S.D.
	QR7401	B1GBCFJJ0040	TRANSISTOR	1	E.S.D.

Safety	Ref. No.	Part No.	Part Name & Description	Pcs	Remarks
	R3001	ERJ3GEYF750V	1/10W 75	1	
	R4004	ERJ6GEYJ102V	1/10W 1K	1	
	R4005	ERJ6GEYJ102V	1/10W 1K	1	
	R6801	D0GF1R0JA049	1/2W 1	1	
	R6802	D0GF1R0JA049	1/2W 1	1	
	R6803	ERJ3GEYJ820V	1/10W 82	1	
	R6804	ERJ3GEYJ820V	1/10W 82	1	
	R6805	ERJ3GEYJ820V	1/10W 82	1	
	R6806	ERJ3GEYJ390V	1/20W 39	1	
	R6807	ERJ3GEYJ820V	1/10W 82	1	
	R6808	ERJ3GEYJ820V	1/10W 82	1	
	R6809	ERJ3GEY0R00V	1/10W 0	1	
	R6810	ERJ3GEY0R00V	1/10W 0	1	
	R6815	ERJ3GEY0R00V	1/10W 0	1	
	R6816	ERJ3GEY0R00V	1/10W 0	1	
	R6817	ERJ3GEY0R00V	1/10W 0	1	
	R6818	ERJ3GEY0R00V	1/10W 0	1	
	R7404	ERJ3GEYJ102V	1/10W 1K	1	
	R7407	ERJ3GEYJ102V	1/10W 1K	1	
	R7408	ERJ3GEYJ222V	1/10W 2.2K	1	
	R7409	ERJ3GEYJ223V	1/10W 22K	1	
	R7410	ERJ3GEYJ151V	1/10W 150	1	
	ZJ6801	K9ZZ00002324	EARTH PLATE	1	
	ZJ6802	K9ZZ00002324	EARTH PLATE	1	
	■	VEP70497A	FL_SEN P.C.B.		(RTL) E.S.D.
	C7101	F1H1C104A071	16V 0.1U	1	
	C7103	F1H1H104A783	50V 0.1U	1	
	C7105	F1H1A105A028	10V 1U	1	
	C7106	F1H1A105A028	10V 1U	1	
	C7107	F1K1C106A062	16V 10U	1	
	C7108	F1H1H102A219	50V 1000P	1	
	C7109	F1H1H472A219	50V 1000P	1	
	C7111	F1K1C106A062	16V 10U	1	
	C7112	F1H1A105A028	10V 1U	1	
	C7113	F1H1H153A219	50V 0.015U	1	
	C7114	F1J1A225A003	10V 2.2U	1	
	C7115	F1H1A105A028	10V 1U	1	
	C7116	F1H1A105A028	10V 1U	1	
	C7130	F1J1A225A003	10V 2.2U	1	
	C7133	F1J1A225A003	10V 2.2U	1	
	C7134	F1H1H103A219	50V 0.01U	1	
	C7135	F1J1A225A003	10V 2.2U	1	
	C7136	F1H1A105A028	10V 1U	1	
	D7103	B3AEA0000099	DIODE	1	E.S.D.
	DP7101	A2BB00000182	DISPLAY TUBE	1	
	IC7101	C0HBB0000068	IC	1	E.S.D.
	IC7102	C0DBGGC000050	IC	1	E.S.D.
	IC7103	L2CD00000066	IC	1	E.S.D.
	IC7104	C0ABHA000054	IC	1	E.S.D.
	IC7105	C0ABHA000054	IC	1	E.S.D.
	IC7130	C0ABGA000035	IC	1	E.S.D.
	IR7101	B3RAD0000206	REMOTE SENSOR	1	
	P7101	K1MY14BA0046	CONNECTOR	1	
	QR7103	B1GBCFEN0015	TRANSISTOR	1	E.S.D.
	R7101	ERJ6GEYJ100V	1/10W 10	1	
	R7102	ERJ3GEYJ393V	1/10W 39K	1	
	R7106	ERJ3GEYJ224V	1/10W 220K	1	
	R7107	ERJ3GEYJ474V	1/10W 470K	1	
	R7108	ERJ3GEYJ224V	1/10W 220K	1	
	R7109	ERJ3GEYJ106V	1/10W 10M	1	
	R7110	ERJ3GEYJ473V	1/10W 47K	1	
	R7111	ERJ3GEYJ473V	1/10W 47K	1	

Safety	Ref. No.	Part No.	Part Name & Description	Pcs	Remarks
	R7112	ERJ3GEYJ225V	1/10W 2.2M	1	
	R7113	ERJ3GEYJ392V	1/10W 3.9K	1	
	R7114	ERJ6GEYJ391V	1/10W 390	1	
	R7115	ERJ3GEYJ392V	1/10W 3.9K	1	
	R7116	ERJ3GEY0R00V	1/10W 0	1	
	R7117	ERJ3GEYJ105V	1/10W 1M	1	
	R7118	ERJ3GEY0R00V	1/10W 0	1	
	R7119	ERJ3GEYJ330V	1/10W 33	1	
	R7130	ERJ3GEY0R00V	1/10W 0	1	
	R7131	ERJ3GEYJ474V	1/10W 470K	1	
	R7132	ERJ3GEY0R00V	1/10W 0	1	
	R7133	ERJ3GEYJ473V	1/10W 47K	1	
	R7134	ERJ3GEYJ475V	1/10W 4.7M	1	
	R7135	ERJ3GEY0R00V	1/10W 0	1	
	R7136	ERJ3GEYJ392V	1/10W 3.9K	1	
	R7137	ERJ3GEYJ105V	1/10W 1M	1	
	R7138	ERJ3GEYJ392V	1/10W 3.9K	1	
	S7101	K0H1BB000068	SWITCH	1	
	ZB7101	RMN0986	FL HOLDER	1	
	ZB7102	RMN0987	FL HOLDER	1	
	ZB7103	RDL0639	MOTION SENSOR LENDS	1	
	■	VEP70498A	SW_LED P.C.B.		(RTL) E.S.D.
	C701	F1H1A105A028	10V 1U	1	
	C702	F1H1A105A028	10V 1U	1	
	C703	F1H1C104A071	16V 0.1U	1	
	C704	F1H1C104A071	16V 0.1U	1	
	D702	B3AEB0000177	DIODE	1	E.S.D.
	D703	B3AFB0000451	DIODE	1	E.S.D.
	IC701	C0DBGGC00050	IC	1	E.S.D.
	IC702	C0ZBZ0001834	IC	1	E.S.D.
	IC703	C0ZBZ0001834	IC	1	E.S.D.
	P701	K1KA07B00135	CONNECTOR	1	
	P702	K1MY04BA0041	CONNECTOR	1	
	R702	ERJ3GEYJ332V	1/10W 3.3K	1	
	R703	ERJ3GEYJ332V	1/10W 3.3K	1	
	R704	ERJ3GEYJ102V	1/10W 1K	1	
	R705	ERJ3GEYJ103V	1/10W 10K	1	
	R706	ERJ3GEYJ103V	1/10W 10K	1	
	R707	ERJ6GEYJ301V	1/10W 300	1	
	R708	ERJ6GEYJ301V	1/10W 300	1	
	R709	ERJ3GEYJ102V	1/10W 1K	1	
	R710	ERJ3GEYJ103V	1/10W 10K	1	
	R711	ERJ3GEYJ103V	1/10W 10K	1	
	R712	ERJ3GEYJ104V	1/10W 100K	1	
	■	RFKB76273BUT	DIGITAL P.C.B.		E.S.D. ADJ BDT320PU
	■	RFKB76273ET	DIGITAL P.C.B.		E.S.D. ADJ BDT320GA
	■	RFKB76273FT	DIGITAL P.C.B.		E.S.D. ADJ BDT320GC
	■	RFKB76273JT	DIGITAL P.C.B.		E.S.D. ADJ BDT320GN
	C51001	F1H0J475A010	6.3V 4.7U	1	
	C51002	F1H0J475A010	6.3V 4.7U	1	
	C51003	F1G1A104A058	10V 0.1U	1	
	C51004	F1G1A104A058	10V 0.1U	1	
	C51005	F1G1A104A058	10V 0.1U	1	
	C51006	F1G1A104A058	10V 0.1U	1	
	C51007	F1G1A104A058	10V 0.1U	1	

Safety	Ref. No.	Part No.	Part Name & Description	Pcs	Remarks
	C51008	F1G1A104A058	10V 0.1U	1	
	C51015	F1H0J475A010	6.3V 4.7U	1	
	C51016	F1G1A104A058	10V 0.1U	1	
	C51017	F1G1A104A058	10V 0.1U	1	
	C51019	F1G0J4740003	6.3V 0.47U	1	
	C51022	F1G1A104A058	10V 0.1U	1	
	C51023	F1G1E1030005	25V 0.01U	1	
	C51030	F1H0J475A010	6.3V 4.7U	1	
	C51031	F1G1A104A058	10V 0.1U	1	
	C51032	F1G1A104A058	10V 0.1U	1	
	C51033	F1G1A104A058	10V 0.1U	1	
	C51034	F1G1A104A058	10V 0.1U	1	
	C51035	F1G1A104A058	10V 0.1U	1	
	C51036	F1G1A104A058	10V 0.1U	1	
	C51037	F1G1A104A058	10V 0.1U	1	
	C51038	F1G1A104A058	10V 0.1U	1	
	C51039	F1G1E102A086	25V 1000P	1	
	C51046	F1H0J475A010	6.3V 4.7U	1	
	C51048	F1G1A104A058	10V 0.1U	1	
	C51049	F1G1A104A058	10V 0.1U	1	
	C51050	F1G1A104A058	10V 0.1U	1	
	C51052	F1G1A104A058	10V 0.1U	1	
	C51053	F1G1A104A058	10V 0.1U	1	
	C51054	F1G1A104A058	10V 0.1U	1	
	C51055	F1G1A104A058	10V 0.1U	1	
	C51056	F1G1A104A058	10V 0.1U	1	
	C51057	F1G1A104A058	10V 0.1U	1	
	C51058	F1G1A104A058	10V 0.1U	1	
	C51059	F1G1A104A058	10V 0.1U	1	
	C51060	F1G1A104A058	10V 0.1U	1	
	C51062	F1G1A104A058	10V 0.1U	1	
	C51063	F1H0J475A010	6.3V 4.7U	1	
	C51064	F1G1A104A058	10V 0.1U	1	
	C51065	F1G1A104A058	10V 0.1U	1	
	C51067	F1G1A104A058	10V 0.1U	1	
	C51068	F1H0J225A005	6.3V 2.2U	1	
	C51069	F1G1E1030005	25V 0.01U	1	
	C51070	F1G1H180A565	50V 18P	1	
	C51071	F1G1H120A565	50V 12P	1	
	C51073	F1G1A104A058	10V 0.1U	1	
	C51074	F1H0J225A005	6.3V 2.2U	1	
	C51075	F1H0J225A005	6.3V 2.2U	1	
	C51076	F1G1E1030005	25V 0.01U	1	
	C51077	F1G1A104A058	10V 0.1U	1	
	C51078	F1G1A104A058	10V 0.1U	1	
	C51079	F1G1A104A058	10V 0.1U	1	
	C51080	F1G1A104A058	10V 0.1U	1	
	C51081	F1H0J225A005	6.3V 2.2U	1	
	C51082	F1G1E1030005	25V 0.01U	1	
	C52003	F1G1A104A058	10V 0.1U	1	
	C52004	F1G1A104A058	10V 0.1U	1	
	C52005	F1J0J106A020	6.3V 10U	1	
	C52006	F1J0J106A020	6.3V 10U	1	
	C52007	F1G1A104A058	10V 0.1U	1	
	C52008	F1G1A104A058	10V 0.1U	1	
	C52009	F1G1A104A058	10V 0.1U	1	
	C52010	F1G1A104A058	10V 0.1U	1	
	C52011	F1G1E102A086	25V 1000P	1	
	C52013	F1G1A104A058	10V 0.1U	1	
	C52014	F1G1A104A058	10V 0.1U	1	
	C52015	F1G1A104A058	10V 0.1U	1	
	C52016	F1G1A104A058	10V 0.1U	1	
	C52017	F1J0J106A020	6.3V 10U	1	
	C52018	F1J0J106A020	6.3V 10U	1	
	C52019	F1G1A104A058	10V 0.1U	1	
	C52020	F1G1A104A058	10V 0.1U	1	
	C52021	F1G1A104A058	10V 0.1U	1	
	C52022	F1G1A104A058	10V 0.1U	1	
	C52024	F1G1E102A086	25V 1000P	1	
	C52025	F1G1A104A058	10V 0.1U	1	
	C52026	F1G1A104A058	10V 0.1U	1	
	C52027	F1G1A104A058	10V 0.1U	1	
	C52028	F1G1A104A058	10V 0.1U	1	

Safety	Ref. No.	Part No.	Part Name & Description	Pcs	Remarks
	C52029	F1G1A104A058	10V 0.1U	1	
	C52030	F1G1A104A058	10V 0.1U	1	
	C52037	F1G1A104A058	10V 0.1U	1	
	C52038	F1G1E102A086	25V 1000P	1	
	C52040	F1G1E102A086	25V 1000P	1	
	C53019	F1G0J1050007	6.3V 1U	1	
	C54001	F1G0J1050007	6.3V 1U	1	
	C54004	F1G1A1040006	10V 0.1U	1	
	C54005	F1G1A1040006	10V 0.1U	1	
	C54007	F1G0J1050007	6.3V 1U	1	
	C54008	F1G1A1040006	10V 0.1U	1	
	C54017	F1G1E102A086	25V 1000P	1	
	C54018	F1G1E102A086	25V 1000P	1	
	C55012	F1J1A106A024	10V 10U	1	
	C55013	F1G1A1040006	10V 0.1U	1	
	C55015	F1J1C106A059	16V 10U	1	
	C55017	F1J1E104A137	25V 0.1U	1	
	C55024	F1J0J2260004	6.3V 22U	1	
	C55025	F2G1C221A079	16V 220U	1	
	C55027	F1G1C104A077	16V 0.1U	1	
	C55028	F1J1A106A024	10V 10U	1	
	C55033	F1J0J2260004	6.3V 22U	1	
	C55034	F1J0J2260004	6.3V 22U	1	
	C55035	F1J0J2260004	6.3V 22U	1	
	C55036	F1J0J2260004	6.3V 22U	1	
	C55037	F1J0J2260004	6.3V 22U	1	
	C55038	F1J0J2260004	6.3V 22U	1	
	C55039	F1J0J2260004	6.3V 22U	1	
	C55040	F1J0J2260004	6.3V 22U	1	
	C55041	F1J0J2260004	6.3V 22U	1	
	C55042	F1J0J2260004	6.3V 22U	1	
	C55043	F1J0J2260004	6.3V 22U	1	
	C55052	F1J0J2260004	6.3V 22U	1	
	C55053	F1G1E102A086	25V 1000P	1	
	C55054	F1G1E102A086	25V 1000P	1	
	C55055	F1G1C104A077	16V 0.1U	1	
	C55057	F1G1C822A081	16V 8200P	1	
	C55058	F1G1C822A081	16V 8200P	1	
	C55059	F1G1C822A081	16V 8200P	1	
	C55063	F1J1E104A137	25V 0.1U	1	
	C55065	F1H0J2250008	6.3V 2.2U	1	
	C55067	F1J1E104A137	25V 0.1U	1	
	C55068	F1G1A104A012	10V 0.1U	1	
	C55070	F1G1C104A077	16V 0.1U	1	
	C55071	F1G1C104A077	16V 0.1U	1	
	C55079	F1J1C106A059	16V 10U	1	
	C55083	F1G1C104A077	16V 0.1U	1	
	C55084	F1J1C475A059	16V 4.7U	1	
	C55086	F1H0J4750004	6.3V 4.7U	1	
	C55087	F1G1E222A086	25V 2200P	1	
	C55089	F1G0J1050007	6.3V 1U	1	
	C55095	F1G0J1050007	6.3V 1U	1	
	C55096	F1G0J1050007	6.3V 1U	1	
	C55097	F1G0J1050007	6.3V 1U	1	
	C55099	F1G1A823A032	10V 82000P	1	
	C55102	F1G1A104A012	10V 0.1U	1	
	C55103	F1G1A104A012	10V 0.1U	1	
	C55104	F1G1C822A081	16V 8200P	1	
	C55105	F1G1A333A032	10V 33000P	1	
	C55113	F1J1A106A024	10V 10U	1	
	C55115	F1J1C106A059	16V 10U	1	
	C55117	F1J0J2260004	6.3V 22U	1	
	C55120	F1G1E102A086	25V 1000P	1	
	C55121	F1G1E102A086	25V 1000P	1	
	C55122	F1G1E102A086	25V 1000P	1	
	C55123	F1G1H1010001	50V 100P	1	
	C55124	F1G1H1010001	50V 100P	1	
	C55125	F1G1H1010001	50V 100P	1	
	C55134	F1G0J105A031	6.3V 1U	1	
	C55142	F1J0J225A004	6.3V 2.2U	1	
	C55151	F1G1H1010001	50V 100P	1	
	C55186	F1J1C475A059	16V 4.7U	1	
	C55187	F1G1A1040006	10V 0.1U	1	

Safety	Ref. No.	Part No.	Part Name & Description	Pcs	Remarks
	C55190	F1G1E102A086	25V 1000P	1	
	C55202	F1G1H100A565	50V 10P	1	
	C55355	F1H1A105A036	10V 1U	1	
	C55400	F1G1A104A012	10V 0.1U	1	
	C55403	F1G1H1010001	50V 100P	1	
	C55404	F1G1H1010001	50V 100P	1	
	C55406	F1G1E1020001	50V 100P	1	
	C55413	F1J0J2260004	6.3V 22U	1	
	C56024	F1G0J105A031	6.3V 1U	1	
	C56025	F1G0J105A031	6.3V 1U	1	
	C56342	F1H1A105A028	10V 1U	1	
	C56343	F1G0J1050007	6.3V 1U	1	
	C570048	F1G1A1040006	10V 0.1U	1	
	C57005	F1G1A1040006	10V 0.1U	1	
	C57006	F1G0J1050007	6.3V 1U	1	
	C57007	F1G0J1050007	6.3V 1U	1	
	C57008	F1G0J1050007	6.3V 1U	1	
	C57010	F1G1A1040006	10V 0.1U	1	
	C57011	F1G1A1040006	10V 0.1U	1	
	C57014	F1G1H1010001	50V 100P	1	
	C57017	F1H1C104A071	16V 0.1U	1	
	C57020	F1H1A105A028	10V 1U	1	
	C58008	F1H1A105A028	10V 1U	1	
	C58015	F1H1A105A028	10V 1U	1	
	C58016	F1G1E102A086	25V 1000P	1	
	C58023	F1H1E104A002	25V 0.1U	1	
	C58024	F1J1C1060001	16V 10U	1	
	C58025	F1J1C1060001	16V 10U	1	
	C58031	F1J1A1060011	10V 10U	1	
	C58032	F1J1A1060011	10V 10U	1	
	C58033	F1J1A1060011	10V 10U	1	
	C58035	F1G1E6820007	25V 6800P	1	
	C58036	F1G1E222A086	25V 2200P	1	
	C58043	F1H1E104A002	25V 0.1U	1	
	C58050	F1H1A105A028	10V 1U	1	
	C58067	F1H1E104A002	25V 0.1U	1	
	C58071	F1J1C1060001	16V 10U	1	
	C58072	F1J1C1060001	16V 10U	1	
	C58074	F1H1E104A002	25V 0.1U	1	
	C58075	F1J1C1060001	16V 10U	1	
	C58076	F1J1C1060001	16V 10U	1	
	C58077	F1H1E104A002	25V 0.1U	1	
	C58078	F1H1E104A002	25V 0.1U	1	
	C58084	F1J0J226A014	6.3V 22U	1	
	C58085	F1J0J226A014	6.3V 22U	1	
	C58086	F1H1A105A028	10V 1U	1	
	C58088	F1J1C1060001	16V 10U	1	
	C58089	F1J1A1060011	10V 10U	1	
	C58090	F1J1A1060011	10V 10U	1	
	C58096	F1J0J226A014	6.3V 22U	1	
	C58097	F1J0J226A014	6.3V 22U	1	
	C58143	F1G0J224A001	6.3V 0.22U	1	
	C58201	F1G1E102A086	25V 1000P	1	
	C58202	F1G1H1010001	50V 100P	1	
	C58203	F1G1E102A086	25V 1000P	1	
	C59001	F1J0J226A014	6.3V 22U	1	
	C59003	F1G1A1040006	10V 0.1U	1	
	C59010	F1G1A1040006	10V 0.1U	1	
	C59014	F1G1A104A058	10V 0.1U	1	
	C59015	F1G1A104A058	10V 0.1U	1	
	C59301	F1G1H100A565	50V 10P	1	
	C59302	F1G1H100A565	50V 10P	1	
	C59303	F1G1A104A058	10V 0.1U	1	
	C59304	F1J1A1060011	10V 10U	1	
	C59305	F1G1A104A058	10V 0.1U	1	
	C59306	F1J1A1060011	10V 10U	1	
	C59307	F1J1A1060011	10V 10U	1	
	C59308	F1G1A104A058	10V 0.1U	1	
	C59309	F1J1A1060011	10V 10U	1	
	C59310	F1G1A104A058	10V 0.1U	1	
	C59311	F1G1A104A058	10V 0.1U	1	
	C59312	F1G1A104A058	10V 0.1U	1	
	C59313	F1H1A105A028	10V 1U	1	



Safety	Ref. No.	Part No.	Part Name & Description	Pcs	Remarks
	R51316	ERJ2GEJ473X	1/16W 47K	1	
	R51317	ERJ2GEJ103X	1/16W 10K	1	
	R52001	ERJ2RKF2700X	1/16W 270	1	
	R52002	ERJ2RKF2700X	1/16W 270	1	
	R52003	ERJ2RKF2700X	1/16W 270	1	
	R52004	ERJ2RKF2700X	1/16W 270	1	
	R52007	ERJ2RKF2700X	1/16W 270	1	
	R52008	ERJ2RKF2700X	1/16W 270	1	
	R52009	ERJ2RKF2400X	1/16W 240	1	
	R52010	ERJ2GEJ221X	1/16W 220	1	
	R52011	ERJ2RKF2700X	1/16W 270	1	
	R52012	ERJ2RKF2700X	1/16W 270	1	
	R52013	ERJ2RKF2400X	1/16W 240	1	
	R52014	ERJ2GEJ221X	1/16W 220	1	
	R52015	ERJ2GEJ103X	1/16W 10K	1	
	R52018	ERJ2GE0R00X	1/16W 0	1	
	R52019	ERJ2GE0R00X	1/16W 0	1	
	R52020	ERJ2RKF1001X	1/16W 1K	1	
	R52021	ERJ2RKF1001X	1/16W 1K	1	
	R52022	ERJ2RHD241X	1/16W 240	1	
	R52023	ERJ2GEJ103X	1/16W 10K	1	
	R54011	ERJ2GE0R00X	1/16W 0	1	
	R54012	ERJ2GE0R00X	1/16W 0	1	
	R55003	ERJ2GEJ472X	1/16W 4.7K	1	
	R55005	ERJ2GEJ333X	1/16W 33K	1	
	R55021	ERJ3EKF2201V	1/16W 2.2K	1	
	R55023	ERJ3EKF5101V	1/16W 5.1K	1	
	R55059	ERJ2GEJ272X	1/16W 2.7K	1	
	R55060	ERJ2GEJ472X	1/16W 4.7K	1	
	R55061	ERJ2GEJ103X	1/16W 10K	1	
	R55062	ERJ2GEJ223X	1/16W 22K	1	
	R55063	ERJ2GEJ303X	1/16W 30K	1	
	R55064	ERJ2GEJ303X	1/16W 30K	1	
	R55065	ERJ2GEJ303X	1/16W 30K	1	
	R55066	ERJ2GEJ561X	1/16W 560	1	
	R55067	ERJ2GEJ561X	1/16W 560	1	
	R55068	ERJ2GEJ561X	1/16W 560	1	
	R55069	ERJ2GEJ153X	1/16W 15K	1	
	R55070	ERJ2GEJ153X	1/16W 15K	1	
	R55071	ERJ2GEJ153X	1/16W 15K	1	
	R55079	ERJ2GEJ103X	1/16W 10K	1	
	R55084	ERJ8RQF1R8V	1/8W 1.8	1	
	R55085	ERJ8RQF1R8V	1/8W 1.8	1	
	R55086	ERJ8RQF1R8V	1/8W 1.8	1	
	R55127	ERJ2RHD103X	1/16W 10K	1	
	R55131	ERJ2GE0R00X	1/16W 0	1	
	R55132	ERJ2GEJ221X	1/16W 220	1	
	R55133	ERJ2GE0R00X	1/16W 0	1	
	R55135	ERJ2GE0R00X	1/16W 0	1	
	R55216	ERJ2GEJ103X	1/16W 10K	1	
	R55400	ERJ2GEJ103X	1/16W 10K	1	
	R55403	ERJ3GEY0R00V	1/10W 0	1	
	R55440	ERJ2GEJ473X	1/16W 47K	1	
	R55450	ERJ2GEJ201X	1/16W 200	1	
	R55451	ERJ2GEJ201X	1/16W 200	1	
	R55456	ERJ2GEJ104X	1/16W 100K	1	
	R55461	ERJ2GEJ202X	1/16W 2K	1	
	R55464	ERJ2GEJ103X	1/16W 10K	1	
	R55470	ERJ2GEJ103X	1/16W 10K	1	
	R55471	ERJ2GEJ202X	1/16W 2K	1	
	R55472	ERJ2GEJ202X	1/16W 2K	1	
	R55501	ERJ2GEJ470X	1/16W 47	1	
	R56013	ERJ2RHD121X	1/16W 120	1	
	R56020	ERJ2RKF3002X	1/16W 30K	1	
	R56021	ERJ2RHD183X	1/16W 18K	1	
	R56022	ERJ2RKF1202X	1/16W 12K	1	
	R56301	ERJ2GEJ103X	1/16W 10K	1	
	R56302	ERJ2GEJ471X	1/16W 470	1	
	R56308	ERJ2GEJ273X	1/16W 27K	1	
	R57001	ERJ2GEJ103X	1/16W 10K	1	
	R57002	ERJ2GEJ473X	1/16W 47K	1	
	R57003	ERJ2GEJ473X	1/16W 47K	1	
	R57005	ERJ3GEYJ4R7V	1/10W 4.7	1	

Safety	Ref. No.	Part No.	Part Name & Description	Pcs	Remarks
	R57051	ERJ2GEJ203X	1/16W 20K	1	BDT320PU
	R57051	ERJ2GEJ472X	1/16W 4.7K	1	BDT320GA /GC/GN
	R57052	ERJ2GEJ333X	1/16W 33K	1	BDT320PU
	R57052	ERJ2GEJ822X	1/16W 8.2K	1	BDT320GA /GC/GN
	R57061	ERJ2GEJ333X	1/16W 33K	1	
	R57063	ERJ2GEJ433X	1/16W 43K	1	
	R57064	ERJ2GEJ153X	1/16W 43K	1	
	R57065	ERJ2GEJ102X	1/16W 1K	1	
	R58001	ERJ3GEYJ100V	1/10W 10	1	
	R58003	ERJ3GEYJ100V	1/10W 10	1	
	R58019	ERJ2RHD223X	1/16W 22K	1	
	R58020	ERJ2RHD223X	1/16W 22K	1	
	R58024	ERJ2RHD152X	1/16W 1.5K	1	
	R58026	ERJ2GE0R00X	1/16W 0	1	
	R58030	ERJ2RHD223X	1/16W 22K	1	
	R58031	ERJ2RHD123X	1/16W 12K	1	
	R58036	ERJ3GEYJ100V	1/10W 10	1	
	R58049	ERJ2RHD683X	1/16W 68K	1	
	R58052	ERJ2RHD472X	1/16W 4.7K	1	
	R58053	ERJ2RHD223X	1/16W 22K	1	
	R58100	ERJ2GE0R00X	1/16W 0	1	
	R58101	ERJ2GEJ103X	1/16W 10K	1	
	R58102	ERJ2GEJ223X	1/16W 22K	1	
	R58103	ERJ2GE0R00X	1/16W 0	1	
	R58104	J0JCC0000287	COIL	1	
	R58105	ERJ2GE0R00X	1/16W 0	1	
	R58106	ERJ2GE0R00X	1/16W 0	1	
	R58107	ERJ2GE0R00X	1/16W 0	1	
	R58813	ERJ2GE0R00X	1/16W 0	1	
	R59015	ERJ2RKF2491X	1/16W 2.49K	1	BDT320PU
	R59015	D1BA2491A015	1/16W 490	1	BDT320GA /GC/GN
	R59020	ERJ2GEJ330X	1/16W 33	1	
	R59021	ERJ3GEYJ152V	1/10W 1.5K	1	
	R59301	ERJ2GEJ223X	1/16W 22K	1	
	R59311	ERJ2GE0R00X	1/16W 0	1	
	R59312	ERJ2GEJ103X	1/16W 10K	1	
	R59313	ERJ2RHD242X	1/16W 2.4K	1	
	R59315	ERJ2RKD300X	1/16W 30	1	
	R59316	ERJ2GEJ103X	1/16W 10K	1	
	R59357	ERJ2GE0R00X	1/16W 0	1	
	R59358	ERJ2RHD393X	1/16W 39K	1	
	R59359	ERJ2RHD103X	1/16W 10K	1	
	R59360	ERJ2RHD393X	1/16W 39K	1	
	R59361	ERJ2RHD103X	1/16W 10K	1	
	R59362	ERJ2RHD393X	1/16W 39K	1	
	R59363	ERJ2RHD103X	1/16W 10K	1	
	R59364	ERJ2RHD153X	1/16W 15K	1	
	R59365	ERJ2RHD153X	1/16W 15K	1	
	R59366	ERJ2RHD153X	1/16W 15K	1	
	R59601	ERJ2GEJ820X	1/16W 82	1	
	R59602	ERJ2GEJ101X	1/16W 100	1	
	R59701	ERJ2GEJ103X	1/16W 10K	1	
	R59704	ERJ2GEJ103X	1/16W 10K	1	
	R59706	ERJ2GEJ103X	1/16W 10K	1	
	R59707	ERJ2GEJ103X	1/16W 10K	1	
	RX51306	D1H84724A024	RESISTOR-RESISTOR	1	
	RX51311	D1H81014A024	RESISTOR-RESISTOR	1	
	RX51312	D1H81014A024	RESISTOR-RESISTOR	1	
	RX51313	D1H84724A024	RESISTOR-RESISTOR	1	
	RX51316	D1H81034A024	RESISTOR-RESISTOR	1	
	RX51317	D1H81034A024	RESISTOR-RESISTOR	1	
	RX55005	D1H81034A024	RESISTOR-RESISTOR	1	
	RX55010	D1H81034A024	RESISTOR-RESISTOR	1	
	RX55011	D1H83334A024	RESISTOR-RESISTOR	1	
	RX55012	D1H83334A024	RESISTOR-RESISTOR	1	
	RX55031	D1H81034A024	RESISTOR-RESISTOR	1	
	RX55410	D1H82014A024	RESISTOR-RESISTOR	1	
	RX55501	D1H84704A024	RESISTOR-RESISTOR	1	
	RX55502	D1H84704A024	RESISTOR-RESISTOR	1	
	RX55503	D1H84704A024	RESISTOR-RESISTOR	1	

Safety	Ref. No.	Part No.	Part Name & Description	Pcs	Remarks
	RX55504	D1H84704A024	RESISTOR-RESISTOR	1	
	RX55505	D1H84704A024	RESISTOR-RESISTOR	1	
	RX55506	D1H84704A024	RESISTOR-RESISTOR	1	
	RX55507	D1H84704A024	RESISTOR-RESISTOR	1	
	RX56314	D1H82024A024	RESISTOR-RESISTOR	1	
	RX56315	D1H81014A024	RESISTOR-RESISTOR	1	
	RX57001	D1H81014A024	RESISTOR-RESISTOR	1	
	RX57002	D1H81014A024	RESISTOR-RESISTOR	1	
	RX57004	D1H81014A024	RESISTOR-RESISTOR	1	
	RX57005	D1H84734A024	RESISTOR-RESISTOR	1	
	RX57007	D1H88224A024	RESISTOR-RESISTOR	1	
	RX58001	D1H84734A024	RESISTOR-RESISTOR	1	
	RX59003	D1H83304A024	RESISTOR-RESISTOR	1	
	RX59004	D1H84724A024	RESISTOR-RESISTOR	1	
	RX59005	D1H84724A024	RESISTOR-RESISTOR	1	
	RX59006	D1H83304A024	RESISTOR-RESISTOR	1	
	RX59302	D1H84734A024	RESISTOR-RESISTOR	1	
	RX59303	D1H81034A024	RESISTOR-RESISTOR	1	
	RX59305	D1H81034A024	RESISTOR-RESISTOR	1	
	RX59306	D1H8R0040009	RESISTOR-RESISTOR	1	
	RX59601	D1H81014A024	RESISTOR-RESISTOR	1	
	RX59602	D1H83334A024	RESISTOR-RESISTOR	1	
	RX59603	D1H83334A024	RESISTOR-RESISTOR	1	
	RX59606	D1H84724A024	RESISTOR-RESISTOR	1	
	T59301	EXC24CE900U	TRANSFORMER	1	
	T59302	EXC24CE900U	TRANSFORMER	1	
	T59303	EXC24CE900U	TRANSFORMER	1	
	X51001	H0J270500157	OSCILLATOR	1	
	X59301	H0J300500024	OSCILLATOR	1	