

Service Manual

Blu-ray Disc Player

Model No. **DMP-BDT110GA**
DMP-BDT110GC
DMP-BDT110GN
DMP-BDT110GT
DMP-BDT110GW
DMP-BDT110PU
DMP-BDT110PX

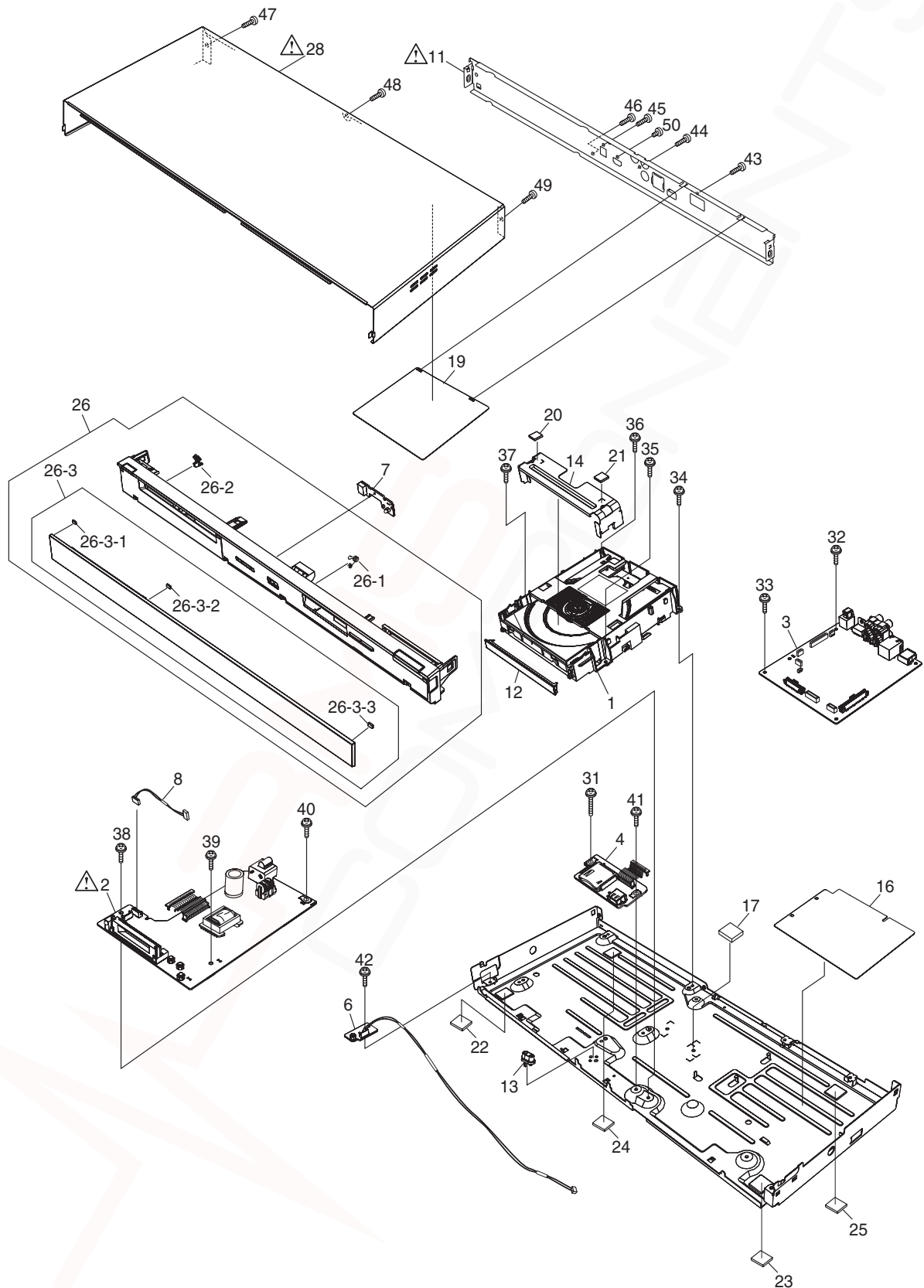


Vol. 1
Colour
(K).....Black Type

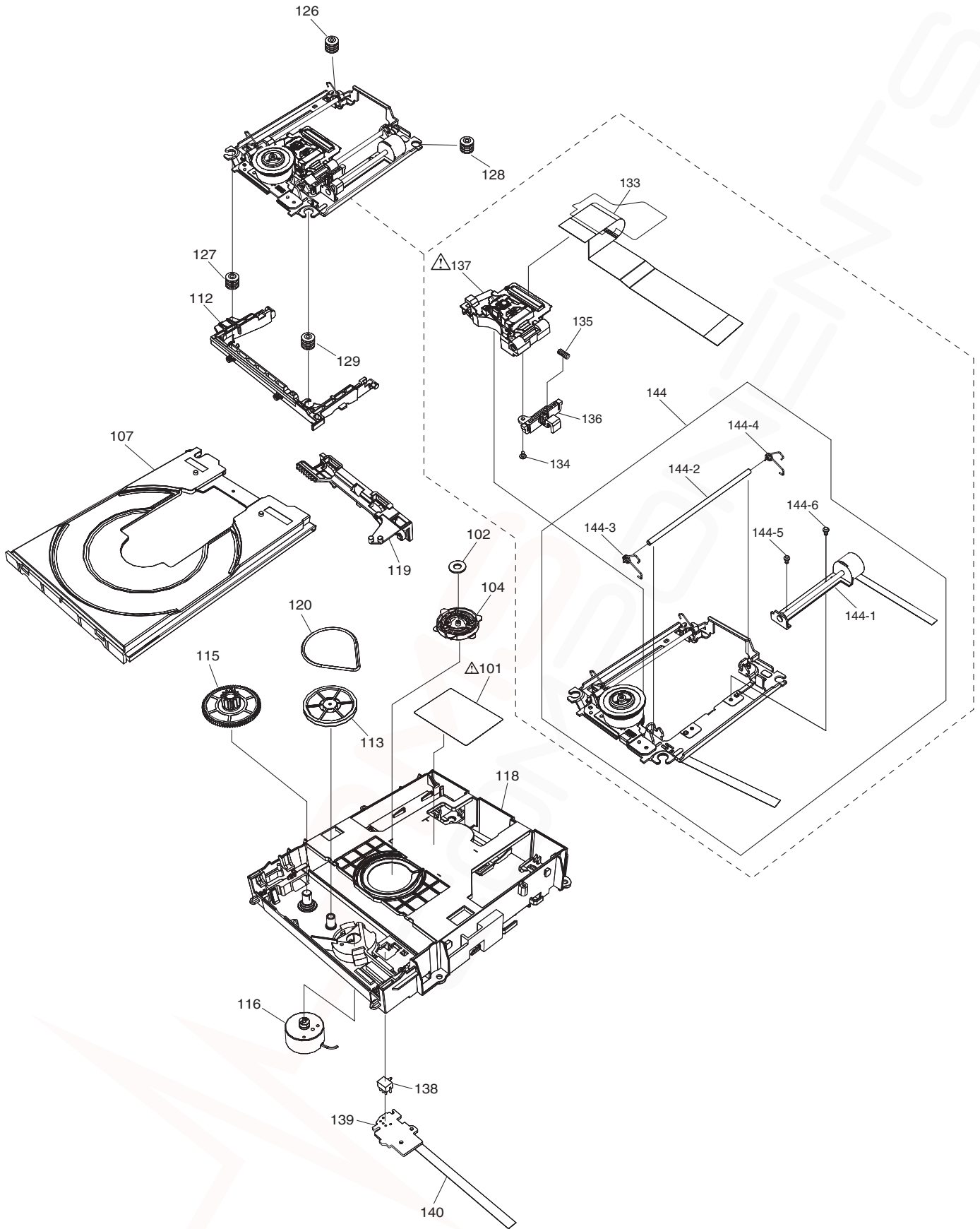
15 Exploded View and Replacement Parts List

15.1. Exploded Views and Mechanical Replacement Parts List

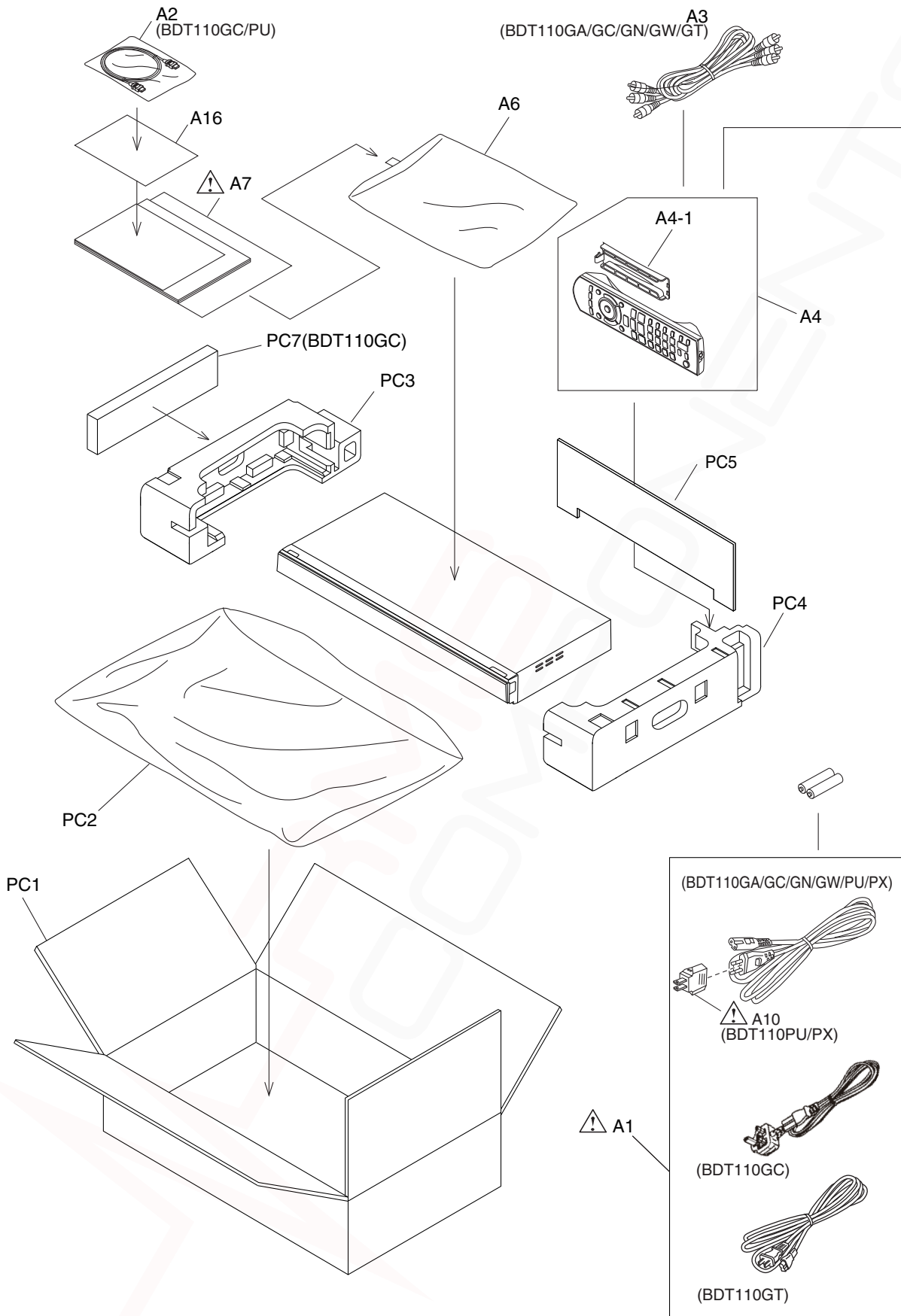
15.1.1. Casing Parts & Mechanism Section



15.1.2. Mechanism Section



15.1.3. Packing & Accessories Section



15.1.4. Mechanical Replacement Parts List

Notes:

*Important safety notice:

Components identified by \triangle mark have special characteristics important for safety.

Furthermore, special parts which have purposes of fire-retardant (resistors), high-quality sound (capacitors), low-noise (resistors), etc. are used.

When replacing any of components, be sure to use only manufacture's specified parts shown in the parts list.

*Warning: This product uses a laser diode. Refer to caution statements.

*Capacity values are in microfarads (μ F) unless specified otherwise, P=Pico-farads (pF), F=Farads (F).

*Resistance values are in ohms, unless specified otherwise, 1K=1,000 (OHM), 1M=1,000k (OHM).

*The marking (RTL) indicates the retention time is limited for this item. After the discontinuation of this assembly in production, it will no longer be available.

** (IA)-(IF) marks in Remarks indicate languages of instruction manuals. [(IA): Traditional Chinese; (IB): English; (IC): Arabic; (ID): Traditional Chinese; (IE): Spanish; (IF): English, Spanish]

*All parts are supplied by CHPAVC.

E.S.D.. standards for Electrostatically Sensitive Devices, refer to "PREVENTION OF ELECTROSTATIC DISCHARGE (ESD) TO ELECTROSTATICALLY SENSITIVE (ES) DEVICES" section.

Notes:

*Parts indicated with "ADJ" in the Remarks column are necessary to adjustment value initialization adjust.

Safety	Ref. No.	Part No.	Part Name & Description	Pcs	Remarks
			CASING		
	1	VXY2130	BD DRIVE	1	BDT110GA /GC/GN/GW/GT
	1	VXY2122T	BD DRIVE	1	BDT110PU /PX
\triangle	2	VEP71198C	POWER P.C.B.	1	(RTL) E.S.D. BDT110GA /GN/GW
\triangle	2	VEP71198E	POWER P.C.B.	1	(RTL) E.S.D. BDT110GC
\triangle	2	VEP71204A	POWER P.C.B.	1	(RTL) E.S.D. BDT110GT
\triangle	2	VEP71198B	POWER P.C.B.	1	(RTL) E.S.D. BDT110PU /PX
	3	RFKB76234CAT	DIGITAL P.C.B.	1	(RTL) E.S.D. BDT110GA
	3	RFKB76234MT	DIGITAL P.C.B.	1	(RTL) E.S.D. BDT110GC
	3	RFKB76234CT	DIGITAL P.C.B.	1	(RTL) E.S.D. BDT110GN

Safety	Ref. No.	Part No.	Part Name & Description	Pcs	Remarks
	3	RFKB76234CWT	DIGITAL P.C.B.	1	(RTL) E.S.D. BDT110GW
	3	RFKB76234CTT	DIGITAL P.C.B.	1	(RTL) E.S.D. BDT110GT
	3	RFKB76234BT	DIGITAL P.C.B.	1	(RTL) E.S.D. BDT110PU
	3	RFKB76234AX	DIGITAL P.C.B.	1	(RTL) E.S.D. BDT110PX
	4	VEP70389A	SD P.C.B.	1	(RTL) E.S.D.
	6	VEP70390A	POWER SW P.C.B.	1	(RTL) E.S.D.
	7	VEP70421A	LED P.C.B.	1	(RTL) E.S.D.
	8	VEE1K27	POWER TO LED PCB CABLE	1	BDT110GA /GN/GW/GT/PU/PX
\triangle	11	RGR0414B-L1	REAR PANEL	1	BDT110GA
\triangle	11	RGR0414G-A1	REAR PANEL	1	BDT110GC
\triangle	11	RGR0414B-D1	REAR PANEL	1	BDT110GN
\triangle	11	RGR0414B-S	REAR PANEL	1	BDT110GW
\triangle	11	RGR0414B-P1	REAR PANEL	1	BDT110GT
\triangle	11	RGR0414B-G1	REAR PANEL	1	BDT110PU
\triangle	11	RGR0414B-F1	REAR PANEL	1	BDT110PX
	12	RGK2261-K	TRAY DOOR PANEL	1	
	13	RMX0404C	DRIVE SPACER	1	
	14	RMA2294	DRIVE SPACER	1	
	16	RMZ1201	BOTTOM CASE INSULATION SHEET	1	
	17	RSC0959	RADIATOR SHEET	1	
	19	RMZ1155-1	TOP CASE INSULATION SHEET	1	
	20	RKA0251-K	FOOT RUBBER	1	
	21	RKA0251-K	FOOT RUBBER	1	
	22	RKA0243-KJ	FOOT RUBBER	1	
	23	RKA0243-KJ	FOOT RUBBER	1	
	24	RKA0243-KJ	FOOT RUBBER	1	
	25	RKA0243-KJ	FOOT RUBBER	1	
	26	RYP1633A-K	FRONT PANEL ASS'Y	1	BDT110GA /GW/GN/GT
	26	RYP1633H-K	FRONT PANEL ASS'Y	1	BDT110GC
	26	RYP1633C-K	FRONT PANEL ASS'Y	1	BDT110PU
	26	RYP1633F-K	FRONT PANEL ASS'Y	1	BDT110PX
	26-1	RMB0921	DOOR SPRING	1	
	26-2	RMR2002-K	DOOR STOPPER	1	
	26-3	RYF0909-Q	DOOR ASS'Y	1	
	26-3-1	RMG0849-K	DAMPER	1	
	26-3-2	RMG0849-K	DAMPER	1	
	26-3-3	RMG0849-K	DAMPER	1	
\triangle	28	RKM0643-K	TOP CASE	1	
	31	RHD30164-J	SCREW	1	
	32	RHD30168-J	SCREW	1	
	33	RHD30168-J	SCREW	1	
	34	RHD30168-J	SCREW	1	
	35	RHD30168-J	SCREW	1	
	36	RHD30168-J	SCREW	1	
	37	RHD30168-J	SCREW	1	
	38	RHD30168-J	SCREW	1	
	39	RHD30168-J	SCREW	1	
	40	RHD30168-J	SCREW	1	
	41	RHD30168-J	SCREW	1	
	42	RHD30168-J	SCREW	1	
	43	RHD30119-L	SCREW	1	
	44	RHD30119-L	SCREW	1	
	45	RHD30119-L	SCREW	1	
	46	RHD30119-L	SCREW	1	
	47	RHD30119-L	SCREW	1	
	48	RHD30119-L	SCREW	1	
	49	RHD30119-L	SCREW	1	
	50	XSN3+4FJ	SCREW	1	
\triangle	101	VQL1V70-J	LASER CAUTION LABEL	1	

Safety	Ref. No.	Part No.	Part Name & Description	Pcs	Remarks
	102	VMA0V86	YOKE	1	
	104	VMD6392	CLAMPER	1	
	107	VMD6391	TRAY	1	
	112	VMD6494	MID BASE	1	
	113	VDG1756-1	PULLEY GEAR	1	
	115	VDG1757	MID GEAR	1	
	116	VEM0885	LOADING MOTOR U	1	
	118	VMD6389-1	MECHA CHASSIS	1	
	119	VMD6390	SLIDE CAM	1	
	120	VMG1720	BELT	1	
	126	VMG1966	DAMPER	1	
	127	VMG1966	DAMPER	1	
	128	VMG1966	DAMPER	1	
	129	VMG1966	DAMPER	1	
	133	VWJ2222-1	OPU FFC	1	
	134	VHD2268	NUT PIECE SCREW	1	
	135	VMB4004-J	NUT PIECE SPRING	1	
	136	VMD6395	NUT PIECE	1	
△	137	RAF3800A-C	OPTICAL PICK-UP	1	ADJ BDT110GA /GC/GN/ GW/GT
△	137	L1BBZ0000006	OPTICAL PICK-UP	1	ADJ BDT110PU /PX
	138	KOL1CB000004	LEVER SWITCH	1	
	139	VJB70396	SW P.C.B.	1	E.S.D.
	140	VWJ2228-J	SW FFC	1	
	144	VXA8900-SER	TRAVERSE UNIT(WITH- OUT OPU)	1	
	144-1	L6KAYYYH0006	STEPPING MOTOR	1	
	144-2	VMS8126	SHAFT	1	
	144-3	VMB4426	SHAFT SPRING	1	
	144-4	VMB4426	SHAFT SPRING	1	
	144-5	XTN2+4FFJ	STEPPING MOTOR SCREW	1	
	144-6	XTN2+4FFJ	STEPPING MOTOR SCREW	1	
		■	ACCESSORY		
△	A1	K2CP2CA00001	AC CORD	1	BDT110GA
△	A1	K2CQ2CA00007	AC CORD	1	BDT110GA /GC/GW/ PU/PX
△	A1	K2CZ3YY00005	AC CORD	1	BDT110GC
△	A1	K2CJ2DA00014	AC CORD	1	BDT110GN
△	A1	K2CA2CA00027	AC CORD	1	BDT110GT
	A2	K1HA19DA0007	HDMI CABLE	1	BDT110GC /PU
	A3	K2KYYYY00048	AV CORD	1	BDT110GN /GA/GC/ GW/GT
	A4	N2QAYB000579	REMOTE CONTROL UNIT	1	BDT110GA /GN/GT/ GW
	A4	N2QAYB000646	REMOTE CONTROL UNIT	1	BDT110GC
	A4	N2QAYB000608	REMOTE CONTROL UNIT	1	BDT110PU
	A4	N2QAYB000574	REMOTE CONTROL UNIT	1	BDT110PX
	A4-1	110300031300	BATTERY COVER	1	
	A6	RPFC0119-1	POLYETHYLENE BAG	1	
△	A7	VQT3B78	OPERATING INSTRUC- TIONS	1	BDT110GA (IA)
△	A7	VQT3B77	OPERATING INSTRUC- TIONS	1	BDT110GA /GC/GN/ GW (IB)
△	A7	VQT3B79	OPERATING INSTRUC- TIONS	1	BDT110GC (IC)
△	A7	VQT3B81	OPERATING INSTRUC- TIONS	1	BDT110GT (ID)
△	A7	VQT3B60	OPERATING INSTRUC- TIONS	1	BDT110PU (IE)
△	A7	VQT3B58-1	OPERATING INSTRUC- TIONS	1	BDT110PX (IF)
△	A10	K2DAYYY00002	POWER PLUG ADAPTOR	1	BDT110PU /PX
	A16	RQLS0434	CHINESE LABEL SHEET	1	BDT110GT

Safety	Ref. No.	Part No.	Part Name & Description	Pcs	Remarks
		■	PACKING		
	PC1	RPG9428-1	PACKING CASE	1	BDT110GA
	PC1	RPG9429-1	PACKING CASE	1	BDT110GC
	PC1	RPG9427-1	PACKING CASE	1	BDT110GN
	PC1	RPG9579	PACKING CASE	1	BDT110GW
	PC1	RPG9431	PACKING CASE	1	BDT110GT
	PC1	RPG9426-2	PACKING CASE	1	BDT110PU
	PC1	RPG9425-1	PACKING CASE	1	BDT110PX
	PC2	RPF0536	POLYETHYLENE BAG	1	
	PC3	RPN2248A-1	CUSHION (A)	1	
	PC4	RPN2248B-1	CUSHION (B)	1	
	PC5	RPQ2772	PAD	1	
	PC7	RPQ2799	PAD	1	BDT110GC

15.2. Electrical Replacement Parts List

Notes:

*Important safety notice:

Components identified by \triangle mark have special characteristics important for safety.

Furthermore, special parts which have purposes of fire-retardant (resistors), high-quality sound (capacitors), low-noise (resistors), etc. are used.

When replacing any of components, be sure to use only manufacturer's specified parts shown in the parts list.

*Warning: This product uses a laser diode. Refer to caution statements.

*Capacity values are in microfarads (μ F) unless specified otherwise, P=Pico-farads (pF), F=Farads (F).

*Resistance values are in ohms, unless specified otherwise, 1K=1,000 (OHM), 1M=1,000k (OHM).

*The marking (RTL) indicates the retention time is limited for this item. After the discontinuation of this assembly in production, it will no longer be available.

*All parts are supplied by CHPAVC.

E.S.D. standards for Electrostatically Sensitive Devices, refer to "PREVENTION OF ELECTROSTATIC DISCHARGE (ESD) TO ELECTROSTATICALLY SENSITIVE (ES) DEVICES" section.

Safety	Ref. No.	Part No.	Part Name & Description	Pcs	Remarks
		VEP71198C	POWER P.C.B.	1	(RTL) E.S.D. BDT110GA /GN/GW
		VEP71198E	POWER P.C.B.	1	(RTL) E.S.D. BDT110GC
		VEP71204A	POWER P.C.B.	1	(RTL) E.S.D. BDT110GT
		VEP71198B	POWER P.C.B.	1	(RTL) E.S.D. BDT110PU /PX
	BZ7401	L0DCDA000011	BUZZER	1	BDT110GA /GN/GW/ GT/PU/PX
\triangle	C1001	F0CAF683A021	250V 0.068U	1	
\triangle	C1005	F1B2G4710001	100V 470U	1	BDT110GA /GC/GN/ GW/PU/PX
\triangle	C1005	F1BAF1020020	315V 1000P	1	BDT110GT
\triangle	C1006	F1B2G4710001	100V 470U	1	BDT110GA /GC/GN/ GW/PU/PX
\triangle	C1006	F1BAF1020020	315V 1000P	1	BDT110GT
\triangle	C1007	F0CAF223A021	250V 0.022U	1	
	C1014	F2A2G8200002	100V 82U	1	BDT110 PU/PX
	C1014	F2B2E1010003	250V 100U	1	BDT110GT
	C1015	F2B2W3900003	450V 39U	1	BDT110 GA/GC/ GN/GW
\triangle	C1018	F1BAF1020020	315V 1000P	1	
	C1021	F1A3D470A010	2000V 47P	1	
	C1022	F2A1H2200055	50V 22U	1	
	C1024	F1H1H472A013	50V 4700P	1	
	C1114	F1H1C104A071	16V 0.1U	1	
	C1118	F2A1C1520021	16V 1500U	1	

Safety	Ref. No.	Part No.	Part Name & Description	Pcs	Remarks
	C1121	F2A1A1020072	10V 1000U	1	BDT110GA /GC/GN/ GT/GW
	C1124	F1H1C104A071	16V 0.1U	1	
	C1125	F2A1C4710079	16V 470U	1	
	C1130	F2A1A5610008	10V 560U	1	BDT110GA /GC/GN/ GT/GW
	C1172	F2A1V470A831	35V 47U	1	
	C1173	F2A1H100B040	50V 10U	1	
	C1174	F2A1C221B111	16V 220U	1	
	C1175	F1H1H392A013	50V 3900	1	
	C1176	F2A1C221B111	16V 220U	1	
	C14301	F2A1E2210067	25V 220U	1	BDT110PU /PX
	C14302	F1J1C105A091	16V 1U	1	BDT110PU /PX
	C14303	F1H1C104A071	16V 0.1U	1	BDT110PU /PX
	C14304	F1H1C104A071	16V 0.1U	1	BDT110PU /PX
	C14305	F1H1H181A004	50V 180P	1	BDT110PU /PX
	C14306	F1K1C106A062	16V 10U	1	BDT110PU /PX
	C14307	F1H1H103A748	50V 0.01U	1	BDT110PU /PX
	C14308	F2A1C8210008	16V 820U	1	BDT110PU /PX
	C14309	F1H1A105A028	10V 1U	1	BDT110PU /PX
	C7001	F1H1A105A028	10V 1U	1	BDT110GA /GN/GT/ GW/PU/PX
	C7002	F1H1A105A028	10V 1U	1	
	C7003	F1H1A105A028	10V 1U	1	BDT110GA /GN/GT/ GW/PU/PX
	C7005	F1H1H104A783	50V 0.1U	1	
	C7006	F1H1C104A071	16V 0.1U	1	
	D1006	B0EDKT000009	DIODE	1	E.S.D.
	D1021	B0BC01700005	DIODE	1	E.S.D.
	D1022	B0AADM000003	DIODE	1	E.S.D.
	D1023	B0BA01700031	DIODE	1	E.S.D.
	D1031	B0BB20000004	DIODE	1	E.S.D. BDT110GA /GC/GN/ GW/PU/PX
	D1110	B0JARL000004	DIODE	1	E.S.D. BDT110GA /GC/GN/ GT/GW
	D1111	B0JARG000017	DIODE	1	E.S.D. BDT110GA /GC/GN/ GT/GW
	D1112	B0JBRL000003	DIODE	1	E.S.D. BDT110PU /PX
	D1171	B0BA02100019	DIODE	1	E.S.D.
	D1172	B0BA03600021	DIODE	1	E.S.D.
	D1173	B0AADM000003	DIODE	1	E.S.D.
	D1175	B0BA01800018	DIODE	1	E.S.D.
	D1176	B0JAMD000026	DIODE	1	E.S.D.
	D14301	B0JCND000021	DIODE	1	E.S.D. BDT110PU /PX
	DP7001	A2BB00000178	DISPLAY TUBE	1	
\triangle	F1001	K5G202Y00006	FUSE	1	
	IC1021	C0DACYY00009	IC	1	E.S.D.
	IC1102	C0DBZMC00006	IC	1	E.S.D.
	IC14301	C0DBAZZ00132	IC	1	E.S.D. BDT110PU /PX
	IC7001	C0HBB0000057	IC	1	E.S.D.

Safety	Ref. No.	Part No.	Part Name & Description	Pcs	Remarks
	IC7002	C0CBCDC00074	IC	1	E.S.D. BDT110GA /GN/GT/ GW/PU/PX
△	IP1021	K5H2022A0011	IC PROTECTOR	1	
	IR7001	PNJ4881M02VT	REMOTE SENSOR	1	
△	L1001	G0B233D00005	COIL	1	
	L1103	G0A100ZA0045	COIL	1	
	L1105	G0A100ZA0045	COIL	1	BDT110GA /GC/GN/ GT/GW
	L14302	G0A100ZA0045	COIL	1	BDT110PU /PX
△	P1001	K2AA2B000011	AC INLET	1	
	P1102	K1KY23AA0606	CONNECTOR (23P)	1	
	P7001	K1KA03AA0180	CONNECTOR (3P)	1	BDT110GA /GN/GT/ GW/PU/PX
	P7004	K1KA03AA0180	CONNECTOR (3P)	1	
△	Q1022	B3PBA0000454	TRANSISTOR	1	E.S.D.
	Q1170	B1ADGF000010	TRANSISTOR	1	E.S.D.
	Q1171	B1BACG000058	TRANSISTOR	1	E.S.D.
	Q14301	B1CHRD000024	TRANSISTOR	1	E.S.D. BDT110PU /PX
	Q7401	B1GBCFJJ0040	TRANSISTOR	1	E.S.D. BDT110GA /GN/GT/ GW/PU/PX
	Q7402	B1ABDF000033	TRANSISTOR	1	E.S.D. BDT110GA /GN/GT/ GW/PU/PX
	QR1170	B1GBCFJJ0040	TRANSISTOR	1	E.S.D.
	QR7003	B1GBCFEN0015	TRANSISTOR	1	E.S.D. BDT110GA /GN/GT/ GW/PU/PX
	QR7401	B1GBCFJJ0040	TRANSISTOR	1	E.S.D. BDT110GA /GN/GT/ GW/PU/PX
△	R1006	D0BF685JA030	1/2W 6.8M	1	BDT110GA /GC/GN/ GW/PU/PX
	R1021	D0GZR47JA027	1/2W 0.47	1	BDT110 GA/GC/ GN/GW
	R1021	D0GZR27JA027	1/2W 0.27	1	BDT110GT
	R1021	D0GZR24JA027	1/2W 0.24	1	BDT110PU /PX
	R1022	D0GZR47JA027	1/2W 0.47	1	BDT110GA /GC/GN/ GW
	R1022	D0GZR27JA027	1/2W 0.27	1	BDT110GT
	R1022	D0GZR24JA027	1/2W 0.24	1	BDT110PU /PX
	R1030	ERJ6GEYJ100V	1/10W 10	1	
	R1031	ERJ6GEYJ100V	1/10W 10	1	
	R1032	ERDS2TJ221F	1/4W 220	1	
	R1101	ERJ3GEYJ222V	1/10W 2.2K	1	BDT110PU /PX
	R1111	ERJ3GEYJ102V	1/10W 1K	1	
	R1112	ERJ3GEYJ222V	1/10W 2.2K	1	BDT110GA /GC/GN/ GW
	R1112	ERJ3GEY0R00V	1/10W 0	1	BDT110GT
	R1112	ERJ3GEYJ102V	1/10W 1K	1	BDT110PU /PX
	R1113	ERJ3GEYJ103V	1/10W 10K	1	

Safety	Ref. No.	Part No.	Part Name & Description	Pcs	Remarks
	R1115	ERJ3RBD222V	1/16W 2.2K	1	BDT110GA /GC/GN/ GT/GW
	R1115	ERJ3RBD473V	1/16W 47K	1	BDT110 PU/PX
	R1116	ERJ3GEYJ222V	1/10W 2.2K	1	
	R1117	ERJ3RBD123V	1/16W 12K	1	BDT110GA /GC/GN/ GT/GW
	R1117	ERJ3RED184V	1/16W 180K	1	BDT110PU /PX
	R1119	ERJ3RBD123V	1/16W 12K	1	BDT110GA /GC/GN/ GT/GW
	R1121	ERJ3RBD101V	1/16W 100	1	BDT110GA /GC/GN/ GT/GW
	R1121	ERJ3GEY0R00V	1/10W 0	1	BDT110PU /PX
	R1171	ERJ3GEYJ472V	1/10W 4.7K	1	
	R1172	ERJ3GEYJ472V	1/10W 4.7K	1	
	R1173	ERJ3GEYJ562V	1/10W 5.6K	1	
	R1174	ERDS2TJ470T	1/4W 47	1	
	R1176	ERJ3GEYJ182V	1/10W 1.8K	1	
	R14302	ERJ3GEYJ513V	1/10W 51K	1	BDT110PU /PX
	R14303	D1BDR033A135	1/8W 0.033	1	BDT110PU /PX
	R14304	ERJ3RBD223V	1/16W 22K	1	BDT110PU /PX
	R14305	ERJ3RBD823V	1/16W 82K	1	BDT110PU /PX
	R14306	ERJ3RBD273V	1/16W 27K	1	BDT110PU /PX
	R7001	ERJ6GEYJ100V	1/10W 10	1	
	R7002	ERJ3GEYJ622V	1/10W 6.2K	1	
	R7005	ERJ3GEYJ330V	1/10W 33	1	
	R7009	ERJ3GEYJ393V	1/10W 39K	1	
	R7401	ERJ3GEY0R00V	1/10W 0	1	BDT110GA /GN/GT/ GW/PU/PX
	R7404	ERJ3GEYJ102V	1/10W 1K	1	BDT110GA /GN/GT/ GW/PU/PX
	R7407	ERJ3GEYJ102V	1/10W 1K	1	BDT110GA /GN/GT/ GW/PU/PX
	R7408	ERJ3GEYJ222V	1/10W 2.2K	1	BDT110GA /GN/GT/ GW/PU/PX
	R7409	ERJ3GEYJ223V	1/10W 22K	1	BDT110GA /GN/GT/ GW/PU/PX
	R7410	ERJ3GEYJ151V	1/10W 150	1	BDT110GA /GN/GT/ GW/PU/PX
	S7001	EVQ11A05R	SWITCH (OPEN/CLOSE)	1	
	S7002	EVQ11A05R	SWITCH (PLAY)	1	
	S7003	EVQ11A05R	SWITCH (STOP)	1	
△	T1001	G4DYA0000274	TRANSFORMER	1	BDT110GA /GC/GN/ GW
△	T1001	G4DYA0000266	TRANSFORMER	1	BDT110GT
△	T1001	G4DYA0000291	TRANSFORMER	1	BDT110PU /PX
	T1101	G4D1A0000129	TRANSFORMER	1	
△	VA1001	ERZV05Z471CS	VARISTOR	1	BDT110GA /GC/GN/ GT/GW
△	VA1001	ERZV10D471C2	VARISTOR	1	BDT110PU /PX
	ZA1001	K9ZZ00001279	EARTH PLATE	1	
	ZA1005	K9ZZ00001279	EARTH PLATE	1	
	ZB7001	RMN0958-1	FL HOLDER	1	

Safety	Ref. No.	Part No.	Part Name & Description	Pcs	Remarks
	■	VEP70389A	SD P.C.B.		(RTL) E.S.D.
	C6802	F1H1H102A013	50V 1000P	1	
	C6803	F1H1H102A013	50V 1000P	1	
	C6804	F1J0J226A014	6.3V 22U	1	
	C6805	F1H1H102A013	50V 1000P	1	
	LB6802	J0JHC0000045	COIL	1	
	P6801	K1KY15AA0606	CONNECTOR(15P)	1	
	P6802	K1NA12B00005	SD CARD CONNECTOR	1	
	P6803	K1FY104BA073	JACK USB	1	
	R6801	D0GF1R0JA049	1/2W 1	1	
	R6802	D0GF1R0JA049	1/2W 1	1	
	R6803	ERJ3GEYJ820V	1/10W 82	1	
	R6804	ERJ3GEYJ820V	1/10W 82	1	
	R6805	ERJ3GEYJ820V	1/10W 82	1	
	R6806	ERJ3GEYJ390V	1/20W 39	1	
	R6807	ERJ3GEYJ820V	1/10W 82	1	
	R6808	ERJ3GEYJ820V	1/10W 82	1	
	R6809	ERJ6GEY0R00V	1/10W 0	1	
	ZJ6801	K9ZZ00001279	EARTH PLATE	1	
	ZJ6802	K9ZZ00001279	EARTH PLATE	1	
	■	VEP70390A	POWER SW P.C.B.		(RTL) E.S.D.
	S7551	EVQ11A05R	SWITCH(POWER)	1	
	PJ7551	VEE1J93	WIRE	1	
	■	VEP70421A	LED P.C.B.		(RTL) E.S.D.
	D7302	B3AEA0000099	DIODE	1	E.S.D.
	PJ7301	K1KA03BA0055	CONNECTOR(3P)	1	
	R7302	ERJ6GEYJ221V	1/10W 220	1	