

# Service Manual

Blu-ray Disc Player

Model No. **DMP-BDT100GN**



Vol. 1

Colour

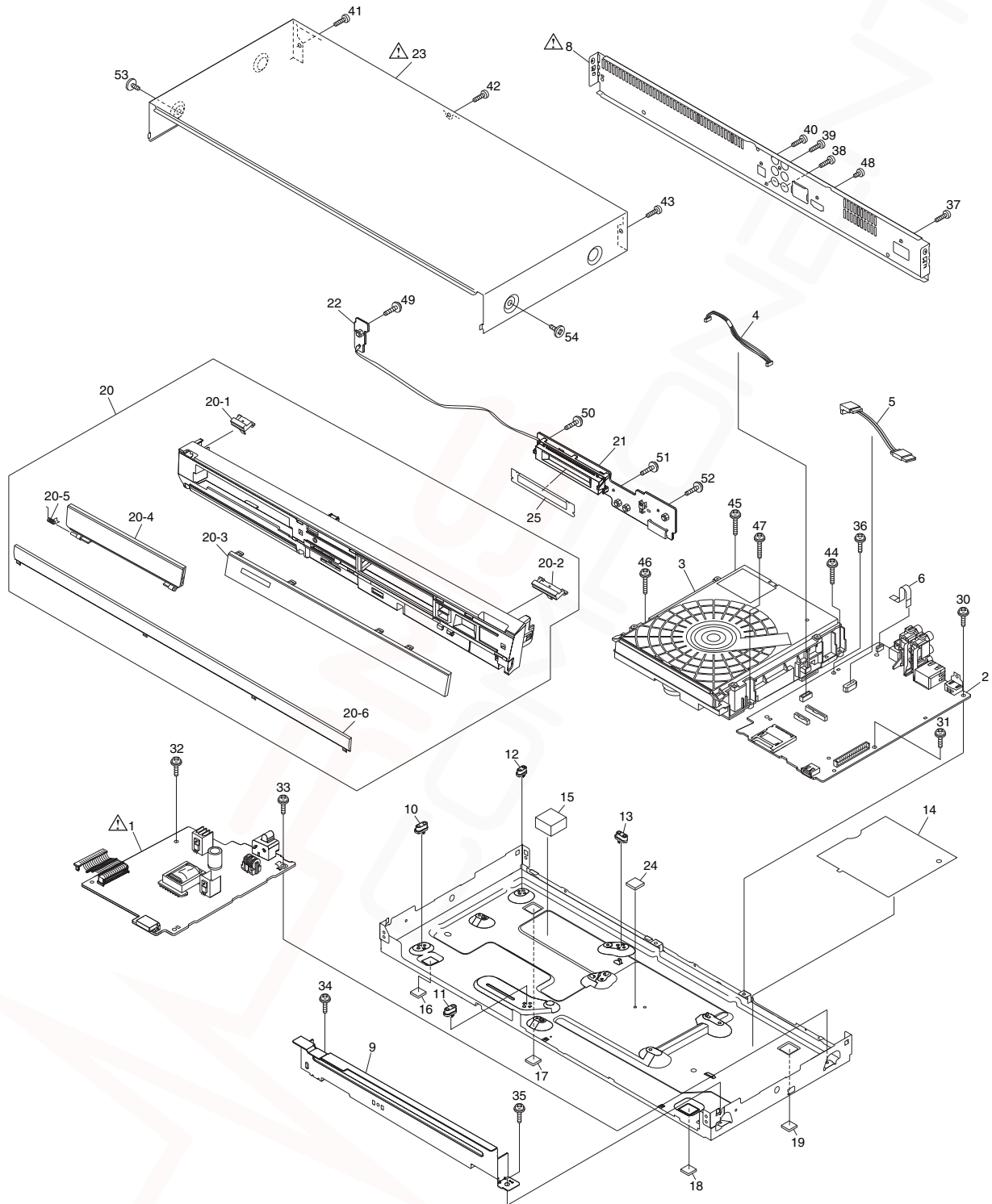
(K).....Black Type



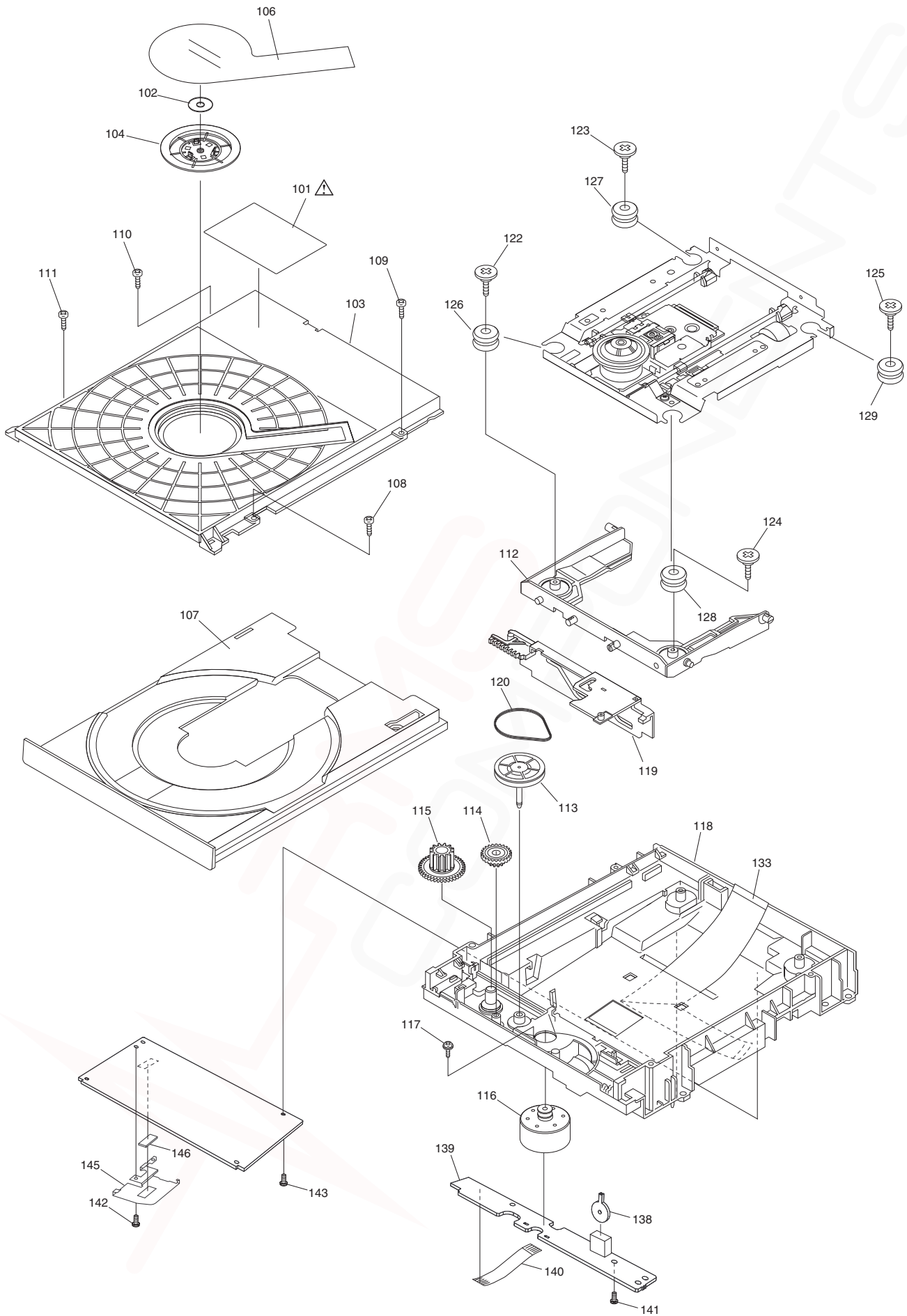
# 15 Exploded View and Replacement Parts List

## 15.1. Exploded Views and Mechanical Replacement Parts List

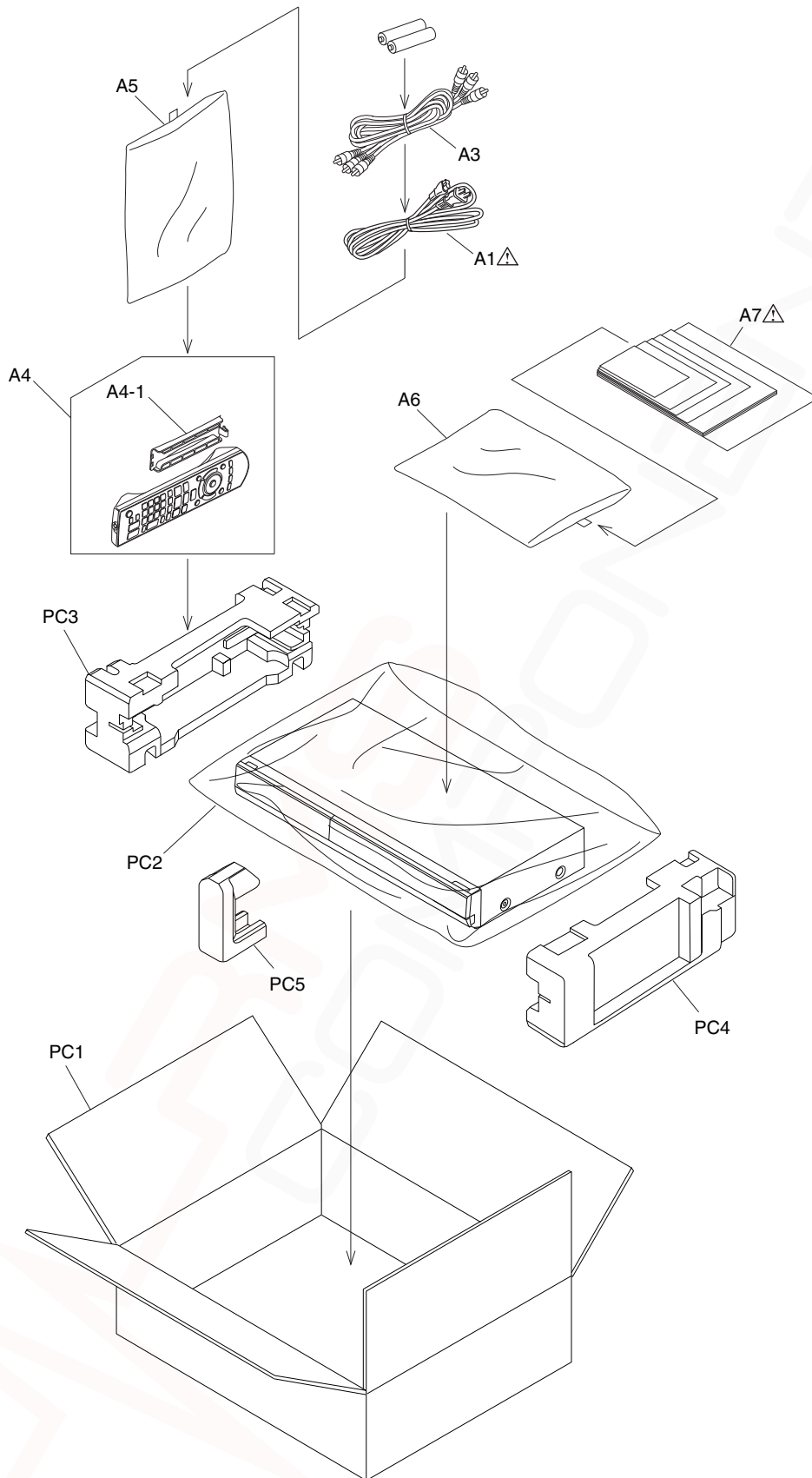
### 15.1.1. Casing Parts & Mechanism Section



## 15.1.2. Mechanism Section



### 15.1.3. Packing & Accessories Section



## 15.1.4. Mechanical Replacement Parts List

### Notes:

\*Important safety notice:

Components identified by  $\triangle$  mark have special characteristics important for safety.

Furthermore, special parts which have purposes of fire-retardant (resistors), high-quality sound (capacitors), low-noise (resistors), etc. are used.

When replacing any of components, be sure to use only manufacturer's specified parts shown in the parts list.

\*Warning: This product uses a laser diode. Refer to caution statements.

\*Capacity values are in microfarads ( $\mu$ F) unless specified otherwise, P=Pico-farads (pF), F=Farads (F).

\*Resistance values are in ohms, unless specified otherwise, 1K=1,000 (OHM), 1M=1,000k (OHM).

\*The marking (RTL) indicates the retention time is limited for this item. After the discontinuation of this assembly in production, it will no longer be available.

\*\*("IA)" marks in Remarks indicate languages of instruction manuals. [ (IA): English]

\*All parts are supplied by CHPAVC.

**E.S.D. standards for Electrostatically Sensitive Devices, refer to "PREVENTION OF ELECTROSTATIC DISCHARGE (ESD) TO ELECTROSTATICALLY SENSITIVE (ES) DEVICES" section.**

Safety	Ref. No.	Part No.	Part Name & Description	Pcs	Remarks
			CASING		
$\triangle$	1	VEP71187A	POWER P.C.B.	1	(RTL) E.S.D.
	2	RFKB76231CT	DIGITAL P.C.B.	1	(RTL) E.S.D.
	3	VXY2094	DRIVE UNIT	1	
	4	VEE1H76	S-ATA SINGAL WIRE	1	
	5	VEE1J77	BD DRIVE POWER CABLE	1	
	6	VWJ2201-1	DRIVE FFC	1	
$\triangle$	8	RGR0398D-C	REAR PANEL	1	
	9	RMA2274	CHASSIS ANGLE	1	
	10	RMX0404C	DRIVE SPACER	1	
	11	RMX0404C	DRIVE SPACER	1	
	12	RMX0404C	DRIVE SPACER	1	
	13	RMX0404C	DRIVE SPACER	1	
	14	RMZ1122	INSULATION SHEET	1	
	15	RSC0959	RADIATOR SHEET	1	
	16	RKA0239-KJ	FOOT CUSHION	1	
	17	RKA0239-KJ	FOOT CUSHION	1	
	18	RKA0239-KJ	FOOT CUSHION	1	
	19	RKA0239-KJ	FOOT CUSHION	1	
	20	RYP1603-K	FRONT PANEL ASS'Y	1	
	20-1	RGU2705A-K	POWER BUTTON	1	
	20-2	RGU2706-K	OPEN BUTTON	1	
	20-3	RYQ0789-Q	FL DECORATIVE SHEET ASS'Y	1	
	20-4	RFKGRYQ0790K	TRAY DOOR ASS'Y	1	
	20-5	RMB0877	TRAY DOOR SPRING	1	
	20-6	RYQ0791-K	DOOR ASS'Y	1	
	21	VEP70362A	FL P.C.B.	1	(RTL) E.S.D.

Safety	Ref. No.	Part No.	Part Name & Description	Pcs	Remarks
	22	VEP70363A	POWER SW P.C.B.	1	(RTL) E.S.D.
$\triangle$	23	RKM0624-K	TOP CASE	1	
	24	RSC0960	RADIATOR SHEET	1	
	25	RMZ1140	FL INSULATION SHEET	1	
	30	RHD30111-31	SCREW	1	
	31	RHD30111-31	SCREW	1	
	32	RHD30111-31	SCREW	1	
	33	RHD30111-31	SCREW	1	
	34	RHD30111-31	SCREW	1	
	35	RHD30111-31	SCREW	1	
	36	RHD30111-31	SCREW	1	
	37	RHD30119-L	SCREW	1	
	38	RHD30119-L	SCREW	1	
	39	RHD30119-L	SCREW	1	
	40	RHD30119-L	SCREW	1	
	41	RHD30119-L	SCREW	1	
	42	RHD30119-L	SCREW	1	
	43	RHD30119-L	SCREW	1	
	44	RHDC0003-1	SCREW	1	
	45	RHDC0003-1	SCREW	1	
	46	RHDC0003-1	SCREW	1	
	47	RHDC0003-1	SCREW	1	
	48	XSN3+4FJ	SCREW	1	
	49	RHD26045-J	SCREW	1	
	50	RHD26045-J	SCREW	1	
	51	RHD26045-J	SCREW	1	
	52	RHD26045-J	SCREW	1	
	53	RHD30113-1K	SCREW	1	
	54	RHD30113-1K	SCREW	1	
$\triangle$	101	VQL1V70-J	LASER CAUTION LABEL	1	
	102	VMA0V86	YOKE	1	
	103	VMD6136	UPPER BASE	1	
	104	VMD5752-1J	CLAMPER	1	
	106	VMZ3737-J	CLAMP COVER	1	
	107	VXA8619	TRAY ASS'Y	1	
	108	XTV26+10GFJ	SCREW	1	
	109	XTV26+10GFJ	SCREW	1	
	110	XTV26+10GFJ	SCREW	1	
	111	XTV26+10GFJ	SCREW	1	
	112	VMD5753-2	MID BASE	1	
	113	VDG1713-J	PULLEY GEAR	1	
	114	VDG1714	MID GEAR	1	
	115	VDG1715-J	DRIVE GEAR	1	
	116	VEM0881	LOADING MOTOR U	1	
	117	VHD1653-1	SCREW	1	
	118	VMD6134	MECHA CHASSIS	1	
	119	VMD5749	SLIDE CAM	1	
	120	VMG1809	BELT	1	
	122	VHD1518-1	SCREW	1	
	123	VHD1518-1	SCREW	1	
	124	VHD1518-1	SCREW	1	
	125	VHD1518-1	SCREW	1	
	126	VMG1883	DAMPER	1	
	127	VMG1883	DAMPER	1	
	128	VMG1883	DAMPER	1	
	129	VMG1883	DAMPER	1	
	133	VWJ2143	OPU FFC	1	
	138	KOL2LB000002	LEVER SWITCH	1	
	139	VJB70218-J	SW P.C.B.	1	E.S.D.
	140	VWJ1998-1	SW FFC	1	
	141	XTV26+10GFJ	SCREW	1	
	142	XTV26+10GFJ	SCREW	1	
	143	XTV26+10GFJ	SCREW	1	
	145	VMA0W67	RADIATOR SHEET	1	
	146	VMG1694	RADIATOR CUSHION	1	
			ACCESSORY		
$\triangle$	A1	K2CJ2DA00014	AC CORD	1	
	A3	K2KYYYY00048	AV CORD	1	

Safety	Ref. No.	Part No.	Part Name & Description	Pcs	Remarks
	A4	N2QAKB000082	REMOTE CONTROL UNIT	1	
	A4-1	100300048100	BATTERY COVER	1	
	A5	RFFC0023-1	POLYETHYLENE BAG	1	
	A6	RFFC0119	POLYETHYLENE BAG	1	
△	A7	VQT2U35	OPERATING INSTRUCTIONS	1	(IA)
		■	PACKING		
	PC1	RPG9231	PACKING CASE	1	
	PC2	RPF0460	POLYETHYLENE BAG	1	
	PC3	RPN2208A	CUSHION (A)	1	
	PC4	RPN2208B	CUSHION (B)	1	
	PC5	RPN2211	FRONT CUSHION	1	

# 15.2. Electrical Replacement Parts List

**Notes:**

\*Important safety notice:

Components identified by  $\Delta$  mark have special characteristics important for safety.

Furthermore, special parts which have purposes of fire-retardant (resistors), high-quality sound (capacitors), low-noise (resistors), etc. are used.

When replacing any of components, be sure to use only manufacturer's specified parts shown in the parts list.

\*Warning: This product uses a laser diode. Refer to caution statements.

\*Capacity values are in microfarads ( $\mu$ F) unless specified otherwise, P=Pico-farads (pF), F=Farads (F).

\*Resistance values are in ohms, unless specified otherwise, 1K=1,000 (OHM), 1M=1,000k (OHM).

\*The marking (RTL) indicates the retention time is limited for this item. After the discontinuation of this assembly in production, it will no longer be available.

\*All parts are supplied by CHPAVC.

**E.S.D. standards for Electrostatically Sensitive Devices, refer to "PREVENTION OF ELECTROSTATIC DISCHARGE (ESD) TO ELECTROSTATICALLY SENSITIVE (ES) DEVICES" section.**

Safety	Ref. No.	Part No.	Part Name & Description	Pcs	Remarks
		VEP71187A	POWER P.C.B.		(RTL) E.S.D.
$\Delta$	C1001	F0CAF683A021	250V 0.068U	1	
$\Delta$	C1005	F1B2G471A014	100V 470U	1	
$\Delta$	C1006	F1B2G471A014	100V 470U	1	
$\Delta$	C1009	F0CAF683A021	250V 0.068U	1	
	C1014	F2B2W4700003	450V 47U	1	
$\Delta$	C1018	F1BAF1020020	1000P	1	
$\Delta$	C1019	F1B2G681A015	400V 680P	1	
	C1021	F1B3D181A011	2000V 180P	1	
	C1023	F1H1H471A792	50V 470P	1	
	C1024	F1H1H101A004	50V 100P	1	
	C1025	F2A1V6800002	35V 68U	1	
	C1026	F1H1H222A013	50V 2200P	1	
	C1031	F1B3D222A011	2000V 2200P	1	
	C1114	F1H1C104A071	16V 0.1U	1	
	C1118	F2A1C1020095	16V 1000U	1	
	C1121	F2A1C1020095	16V 1000U	1	
	C1124	F1H1C104A071	16V 0.1U	1	
	C1125	F2A1C102A236	16V 1000U	1	
	C1131	F1K1C106A062	16V 10U	1	
	C1132	F1H1C104A071	16V 0.1U	1	
	C1133	F1H1H153A013	50V 15000P	1	
	C1134	F1H1H120A004	50V 12P	1	
	C1135	F1H1H221A004	50V 220P	1	
	C1136	F1H1C104A071	16V 0.1U	1	
	C1137	F1H1C104A071	16V 0.1U	1	
	C1140	F2A1C8210008	16V 820U	1	
	C1141	F1H1C104A071	16V 0.1U	1	
	C1172	F2A1V470A831	35V 47U	1	
	C1173	F2A1H100B040	50V 10U	1	
	C1174	F2A1C221B111	16V 220U	1	
	C1175	F1H1H392A013	50V 3900	1	
	C1176	F2A1C221B111	16V 220U	1	
	D1006	B0EDKT000009	DIODE	1	E.S.D.
	D1012	BOHADV000001	DIODE	1	E.S.D.
	D1021	BOHADV000001	DIODE	1	E.S.D.
	D1023	B0BC03200002	DIODE	1	E.S.D.

Safety	Ref. No.	Part No.	Part Name & Description	Pcs	Remarks
	D1025	B0BA01600007	DIODE	1	E.S.D.
	D1026	B0ACCK000005	DIODE	1	E.S.D.
	D1027	B0HAGM000006	DIODE	1	E.S.D.
	D1029	B0BA01200046	DIODE	1	E.S.D.
	D1031	B0ACCK000005	DIODE	1	E.S.D.
	D1032	B0ACCK000005	DIODE	1	E.S.D.
	D1110	B0JBSL000002	DIODE	1	E.S.D.
	D1131	B0JCMD000014	DIODE	1	E.S.D.
	D1132	B0JCMD000014	DIODE	1	E.S.D.
	D1171	B0BA02100019	DIODE	1	E.S.D.
	D1172	B0BA03600021	DIODE	1	E.S.D.
	D1173	B0AADM000003	DIODE	1	E.S.D.
	D1175	B0BA01800019	DIODE	1	E.S.D.
	D1176	B0JAMD000026	DIODE	1	E.S.D.
$\Delta$	F1001	K5G202Y00006	FUSE	1	
	IC1021	C0DACZH00017	IC	1	E.S.D.
	IC1102	C0DBZMC00006	IC	1	E.S.D.
	IC1130	C0DBAY00624	IC	1	E.S.D.
$\Delta$	L1001	G0B233D00005	COIL 23000UH	1	
$\Delta$	L1002	G0B233D00005	COIL 23000UH	1	
	L1103	G0A100ZA0045	COIL 10UH	1	
	L1105	G0A100ZA0045	COIL 10UH	1	
	LB1021	J0JKB0000003	COIL	1	
	LB1131	J0JHC0000048	FILTER	1	
$\Delta$	P1001	K2AA2B000017	AC INLET	1	
	P1102	K1KY23AA0606	CONNECTOR (23P)	1	
	P1103	K1KB12B00040	CONNECTOR (FEMALE) 12P	1	
	Q10101	B1ABDF000033	TRANSISTOR	1	E.S.D.
$\Delta$	Q1022	B3PBA0000454	TRANSISTOR	1	E.S.D.
$\Delta$	Q1023	B3PBA0000454	TRANSISTOR	1	E.S.D.
	Q1131	B1CHR0000024	TRANSISTOR	1	E.S.D.
	Q1170	B1ADGF000010	TRANSISTOR	1	E.S.D.
	Q1171	B1BACG000058	TRANSISTOR	1	E.S.D.
	QR1101	B1GBCFLL0042	TRANSISTOR	1	E.S.D.
	QR1131	B1GBCFNN0041	TRANSISTOR	1	E.S.D.
	QR1170	B1GBCFJJ0040	TRANSISTOR	1	E.S.D.
	R1006	DOB685JA030	1/2W 6800K	1	
	R1011	ERG2SJ104P	2W 100K	1	
	R1012	ERG2SJ104P	2W 100K	1	
	R1013	ERG1SJ222E	1W 2.2K	1	
	R1022	ERX2SJR33E	2W 0.33	1	
	R1023	ERJ3GEYJ103V	1/10W 10K	1	
	R1024	ERJ3GEYJ153V	1/10W 15K	1	
	R1026	ERDS2TJ221T	1/4W 220	1	
	R1028	ERJ6GEYJ100V	1/10W 10	1	
	R1029	ERJ6GEYJ100V	1/10W 10	1	
	R1030	ERJ3GEYJ392V	1/10W 3.9K	1	
	R1032	ERJ3GEYJ472V	1/10W 4.7K	1	
	R1033	ERJ3GEYJ472V	1/10W 4.7K	1	
	R1041	ERJ3GEYJ104V	1/10W 100K	1	
	R1042	ERJ3GEYJ104V	1/10W 100K	1	
	R1104	ERJ3GEYJ472V	1/10W 4.7K	1	
	R1111	ERJ3GEYJ102V	1/10W 1K	1	
	R1112	ERJ3GEYJ222V	1/10W 2.2K	1	
	R1113	ERJ3GEYJ103V	1/10W 10K	1	
	R1115	ERJ3RBD472V	1/16W 4.7K	1	
	R1116	ERJ3GEYJ222V	1/10W 2.2K	1	
	R1118	ERJ3RBD331V	1/16W 330	1	
	R1119	ERJ3RBD183V	1/16W 18K	1	
	R1131	ERJ3GEYJ333V	1/10W 33K	1	
	R1132	ERJ3GEYJ272V	1/10W 2.7K	1	
	R1133	ERJ3RBD103V	1/16W 10K	1	
	R1134	ERJ3RED224V	1/16W 220K	1	
	R1135	ERJ3RBD273V	1/16W 27K	1	

Safety	Ref. No.	Part No.	Part Name & Description	Pcs	Remarks
	R1136	ERJ3RBD273V	1/16W 27K	1	
	R1137	ERJ3RED474V	1/20W 470K	1	
	R1138	ERJ3RBD273V	1/16W 27K	1	
	R1139	ERJ3RED474V	1/20W 470K	1	
	R1141	ERJ3GEYJ224V	1/10W 220K	1	
	R1142	ERJ3GEYJ823V	1/10W 82K	1	
	R1143	ERJ3GEYJ474V	1/10W 470K	1	
	R1144	ERJ3GEYJ562V	1/10W 5.6K	1	
	R1145	D1BDR027A135	1/8W 0.027	1	
	R1171	ERJ3GEYJ472V	1/10W 4.7K	1	
	R1172	ERJ3GEYJ472V	1/10W 4.7K	1	
	R1173	ERJ3GEYJ562V	1/10W 5.6K	1	
	R1174	ERDS2TJ470T	1/4W 47	1	
	R1176	ERJ3GEYJ471V	1/10W 470	1	
△	T1001	G4D2A0000314	TRANSFORMER	1	
	T1101	G4D1A0000129	TRANSFORMER	1	
△	VA1001	ERZV05Z471CS	VARISTOR	1	
	ZA1001	K9ZZ00001279	EARTH PLATE	1	
	ZA1021	VSC5603-A	HEAT SINK	1	
	ZA1022	XYN3+J8FJ	SCREW	1	
	ZA1111	XYN3+J8FJ	SCREW	1	
	ZA1112	VSC6221	HEAT SINK	1	
	■	VEP70363A	POWER SW P.C.B.		(RTL) E.S.D.
	S7551	EVQ11A05R	SWITCH (POWER SW)	1	
	■	VEP70362A	FL P.C.B.		(RTL) E.S.D.
	C7002	F1H1A105A028	10V 1U	1	
	C7004	F1H1C104A071	16V 0.1U	1	
	C7005	F1H1H104A783	50V 0.1U	1	
	C7006	F1H1C104A071	16V 0.1U	1	
	DP7001	A2BD00000200	DISPLAY TUBE	1	
	IC7001	COHBB0000061	IC	1	E.S.D.
	IR7001	PNA4861M02VT	REMOTE SENSOR	1	
	P7001	K1KA12B00136	CONNECTOR (12P)	1	
	PJ7004	REZ2025	WIRE	1	
	R7002	ERJ3GEYJ622V	1/10W 6.2K	1	
	R7003	ERJ3GEYJ222V	1/10W 2.2K	1	
	R7005	ERJ3GEYJ330V	1/10W 33	1	
	R7009	ERJ3GEYJ823V	1/10W 82K	1	
	S7001	EVQ11A05R	SWITCH (OPEN/CLOSE)	1	
	S7002	EVQ11A05R	SWITCH (PLAY)	1	
	S7003	EVQ11A05R	SWITCH (STOP)	1	
	W751	ERJ3GEY0R00V	1/10W 0	1	
	W752	ERJ6GEY0R00V	1/10W 0	1	
	W753	ERJ6GEY0R00V	1/10W 0	1	
	ZB7001	RMN0937-2	FL HOLDER	1	