

Service Manual

Blu-ray Disc Player



Model No. **DMP-BD73PU**
DMP-BD73GC
DMP-BD83PU
DMP-BD83GN
DMP-BD83GA
DMP-BD83GT
DMP-BD83GJ
DMP-BD93PU

Colour
(K).....Black Type

Model No. : DMP-BD73PU/GC/DMP-BD83PU/GN/GA/GT/GJ/DMP-BD93PU Parts List

Change	Safety	Ref. No.	Part No.	Part Name & Description	Q'ty	Remarks
		■	SEP0405AA	OPERATION P.C.B.		(RTL) E.S.D.
		C2001	F1H1A105A143	10V 1U	1	
		D2001	B3AAA0001018	DIODE	1	E.S.D.
		IR2001	PNJ4881M02VT	REMOTE SENSOR	1	
		JK2001	K1FY104B0104	JACK USB	1	
		P2001	SEE0157	FFC	1	
		R2001	DOGD911JA052	1/8W 910	1	
		R2002	DOGB330JA065	1/16W 33	1	
		S2001	EVQ11A05R	OPEN/CLOSE KEY	1	
		S2002	EVQ11A05R	POWER KEY	1	
		ZA2001	K9ZZ00002324	EARTH PLATE	1	
		■	SUKB0404AFUT	DIGITAL P.C.B.	1	E.S.D. ADJ BD93PU
		■	SUKB0404ABAT	DIGITAL P.C.B.	1	E.S.D. ADJ BD83GA
		■	SUKB0404ABNT	DIGITAL P.C.B.	1	E.S.D. ADJ BD83GN
		■	SUKB0608AAT	DIGITAL P.C.B.	1	E.S.D. ADJ BD83GJ
		■	SUKB0404ABUT	DIGITAL P.C.B.	1	E.S.D. ADJ BD83PU
		■	SUKB0404ABTT	DIGITAL P.C.B.	1	E.S.D. ADJ BD83GT
		■	SUKB0404AACT	DIGITAL P.C.B.	1	E.S.D. ADJ BD73GC
		■	SUKB0404AAUT	DIGITAL P.C.B.	1	E.S.D. ADJ BD73PU
		C3001	F1H1E105A153	25V 1U	1	
		C3101	F1J1C106A269	16V 10U	1	
		C3102	F1H1A105A143	10V 1U	1	
		C3103	F1H0J1060006	6.3V 10U	1	
		C3104	F1G1E682A134	25V 6800P	1	
		C3105	F1H0J1060006	6.3V 10U	1	
		C3106	F1H1C104A209	16V 0.1U	1	
		C3201	F1J1C106A269	16V 10U	1	
		C3202	F1H1A105A143	10V 1U	1	
		C3203	F1J0J2260004	6.3V 22U	1	
		C3204	F1G1E682A134	25V 6800P	1	
		C3205	F1J0J2260004	6.3V 22U	1	
		C3206	F1H1C104A209	16V 0.1U	1	
		C3301	F1J1C106A269	16V 10U	1	
		C3302	F1H1A105A143	10V 1U	1	
		C3303	F1J0J2260004	6.3V 22U	1	
		C3304	F1G1E682A134	25V 6800P	1	
		C3305	F1J0J2260004	6.3V 22U	1	
		C3401	F1H1A105A028	10V 1U	1	BD93PU
		C3402	F1H1C104A178	16V 0.1U	1	BD93PU
		C3306	F1H1C104A209	16V 0.1U	1	
		C3501	F1J1A2250011	10V 2.2U	1	
		C3502	F1J1A2250011	10V 2.2U	1	
		C3503	F1G1C103A127	16V 0.01U	1	
		C3601	F1H1E223A050	25V 0.022U	1	
		C3602	F1H1A105A143	10V 1U	1	
		C3603	F1H1A105A143	10V 1U	1	
		C3604	F1H1C104A209	16V 0.1U	1	
		C3605	F1H1C104A209	16V 0.1U	1	
		C3701	F1J0J106A098	6.3V 10U	1	
		C3702	F1J0J106A098	6.3V 10U	1	
		C3801	F1H1A105A143	10V 1U	1	
		C4001	F1G0J105A030	6.3V 1U	1	
		C4002	F1G1C104A124	16V 0.1U	1	
		C4003	F1G1C104A124	16V 0.1U	1	
		C4004	F1G1C104A124	16V 0.1U	1	
		C4005	F1G1C104A124	16V 0.1U	1	
		C4006	F1G1C104A124	16V 0.1U	1	
		C4007	F1G0J105A030	6.3V 1U	1	
		C4008	F1G1C104A124	16V 0.1U	1	
		C4009	F1G1C104A124	16V 0.1U	1	
		C4010	F1G1C104A124	16V 0.1U	1	
		C4011	F1G1C104A124	16V 0.1U	1	

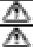

Model No. : DMP-BD73PU/GC/DMP-BD83PU/GN/GA/GT/GJ/DMP-BD93PU Parts List

Change	Safety	Ref. No.	Part No.	Part Name & Description	Q'ty	Remarks
		C4012	F1J0J2260004	6.3V 22U	1	
		C4022	F1H1A4750004	10V 4.7U	1	
		C4024	F1G0J105A030	6.3V 1U	1	
		C4025	F1G1C104A124	16V 0.1U	1	
		C4026	F1G1C104A124	16V 0.1U	1	
		C4027	F1G1C104A124	16V 0.1U	1	
		C4028	F1G1C104A124	16V 0.1U	1	
		C4029	F1G1C104A124	16V 0.1U	1	
		C4030	F1G1C104A124	16V 0.1U	1	
		C4032	F1G1C104A124	16V 0.1U	1	
		C4033	F1G1C104A124	16V 0.1U	1	
		C4034	F1G1C104A124	16V 0.1U	1	
		C4035	F1G1C104A124	16V 0.1U	1	
		C4036	F1H0J1060006	6.3V 10U	1	
		C4037	F1G0J105A030	6.3V 1U	1	
		C4038	F1G1C104A124	16V 0.1U	1	
		C4039	F1G1C104A124	16V 0.1U	1	
		C4040	F1G1C104A124	16V 0.1U	1	
		C4041	F1G1C104A124	16V 0.1U	1	
		C4042	F1G1C104A124	16V 0.1U	1	
		C4043	F1G1C104A124	16V 0.1U	1	
		C4044	F1G1C104A124	16V 0.1U	1	
		C4045	F1H0J1060006	6.3V 10U	1	
		C4046	F1J0J2260004	6.3V 22U	1	
		C4047	F1G1C104A124	16V 0.1U	1	
		C4048	F1H1A4750004	10V 4.7U	1	
		C5003	F1G1C104A124	16V 0.1U	1	
		C5005	F1G1C104A124	16V 0.1U	1	
		C5006	F1H1A4750004	10V 4.7U	1	
		C5007	F1G0J105A030	6.3V 1U	1	
		C5008	F1G1C104A124	16V 0.1U	1	
		C5009	F1G0J4750005	6.3V 4.7U	1	
		C5011	F1G1H220A774	50V 22P	1	
		C5012	F1G1C104A124	16V 0.1U	1	
		C5013	F1G1H220A774	50V 22P	1	
		C5016	F1G1C104A124	16V 0.1U	1	
		C5017	F1G1C104A124	16V 0.1U	1	
		C5018	F1G0J105A030	6.3V 1U	1	
		C5019	F1G1C104A124	16V 0.1U	1	
		C5021	F1G1C104A124	16V 0.1U	1	
		C5022	F1G0J105A030	6.3V 1U	1	
		C5028	F1G1C104A124	16V 0.1U	1	
		C6002	F1G1C104A124	16V 0.1U	1	
		C6003	F1G0J105A030	6.3V 1U	1	
		C6004	F1G1C104A124	16V 0.1U	1	
		C6005	F1G1C104A124	16V 0.1U	1	
		C6006	F1G1C104A124	16V 0.1U	1	
		C6007	F1G0J105A030	6.3V 1U	1	
		C6012	F1G1C104A124	16V 0.1U	1	
		C6013	F1G1C104A124	16V 0.1U	1	
		C6014	F1G1C104A124	16V 0.1U	1	
		C6015	F1G1C104A124	16V 0.1U	1	
		C6016	F1G0J105A030	6.3V 1U	1	
		C6017	F1G1C104A124	16V 0.1U	1	
		C7201	F1G1C104A124	16V 0.1U	1	BD83PU/GA/GN/GJ/GT
		C7204	F1G1C104A124	16V 0.1U	1	BD83PU/GA/GN/GJ/GT
		C8001	F1J1A106A024	10V 10U	1	
		C8002	F1H0J225A085	6.3V 2.2U	1	
		C8003	F1H1A4750004	10V 4.7U	1	
		C8004	F1G1A104A058	10V 0.1U	1	
		C8005	F1H1A4750004	10V 4.7U	1	
		C8006	F1G1E102A134	25V 0.001U	1	

Model No. : DMP-BD73PU/GC/DMP-BD83PU/GN/GA/GT/GJ/DMP-BD93PU Parts List

Change	Safety	Ref. No.	Part No.	Part Name & Description	Q'ty	Remarks
		C8008	F1J1A106A024	10V 10U	1	
		C8009	F1H0J225A085	6.3V 2.2U	1	
		C8010	F1G1C104A124	16V 0.1U	1	
		C8011	F1G1C104A124	16V 0.1U	1	
		C8014	F1G1A104A058	10V 0.1U	1	
		C8023	F1G1E1040001	25V 0.1U	1	
		C8024	F1J1A106A145	10V 10U	1	
		C8026	F1K1E1060001	25V 10U	1	
		C8027	F1G1E1040001	25V 0.1U	1	
		C8029	F1G1E1040001	25V 0.1U	1	
		C8030	F1G1E1040001	25V 0.1U	1	
		C8031	F1G1E102A134	25V 0.001U	1	
		C8032	F1G1E102A134	25V 0.001U	1	
		C8034	F1G1A104A058	10V 0.1U	1	
		C8036	F1J0J2260004	6.3V 22U	1	
		C8037	F2G0J221A065	6.3V 220U	1	
		C8038	F1G1E1040001	25V 0.1U	1	
		C8039	F1G1E102A134	25V 0.001U	1	
		C8040	F1G1C104A124	16V 0.1U	1	
		C8041	F1G1E102A134	25V 0.001U	1	
		C8044	F1G0J105A030	6.3V 1U	1	
		C8045	F1G1A104A058	10V 0.1U	1	
		C8047	F1K1E1060001	25V 10U	1	
		C8048	F1G1E1040001	25V 10U	1	
		C8049	F2G1E470A066	25V 47U	1	
		C8051	F1G1E1040001	25V 0.1U	1	
		C8052	F1G1E1040001	25V 0.1U	1	
		C8053	F1J1A106A024	10V 10U	1	
		C8054	F1G1C104A124	16V 0.1U	1	
		C8055	F1G1A104A058	10V 0.1U	1	
		C8056	F1H1H682B153	50V 0.0068U	1	
		C8057	F1G1E103A134	25V 0.01U	1	
		C8058	F1G1E103A134	25V 0.01U	1	
		C8065	F1G1E102A134	25V 0.001U	1	
		C8066	F1J1C106A269	16V 10U	1	
		C8068	F1K1E105A029	25V 1U	1	
		C8069	F1K1E1060001	25V 10U	1	
		C8070	F1G1A104A058	10V 0.1U	1	
		C8078	F1H1A225A051	10V 2.2U	1	
		C8079	F1J1C106A269	16V 10U	1	
		C8080	F1J1C106A269	16V 10U	1	
		FB8000	G1C100KA0101	COIL	1	
		FB8001	G1C100KA0101	COIL	1	
		FB8002	G1C220MA0291	COIL	1	
		FB8003	J0JYC0000743	COIL	1	
		FB8004	J0JYC0000743	COIL	1	
		IC3101	C0DBAYY02083	IC	1	E.S.D.
		IC3201	C0DBAYY02083	IC	1	E.S.D.
		IC3301	C0DBAYY02083	IC	1	E.S.D.
		IC3501	C0DBGYY03592	IC	1	E.S.D.
		IC3601	C0DBGYY03975	IC	1	E.S.D.
		IC3602	C0EBY0000679	IC	1	E.S.D.
		IC3701	C0DBZYY00723	IC	1	E.S.D.
		IC4001	SUKB0404AFUT	IC	1	E.S.D. ADJ BD93PU
		IC4001	SUKB0404ABAT	IC	1	E.S.D. ADJ BD83GA
		IC4001	SUKB0404ABNT	IC	1	E.S.D. ADJ BD83GN
		IC4001	SUKB0608AAT	IC	1	E.S.D. ADJ BD83GJ
		IC4001	SUKB0404ABUT	IC	1	E.S.D. ADJ BD83PU
		IC4001	SUKB0404ABTT	IC	1	E.S.D. ADJ BD83GT
		IC4001	SUKB0404AAT	IC	1	E.S.D. ADJ BD73GC
		IC4001	SUKB0404AAUT	IC	1	E.S.D. ADJ BD73PU
		IC4002	C3ABUY000051	IC	1	E.S.D. BD73GC/PU

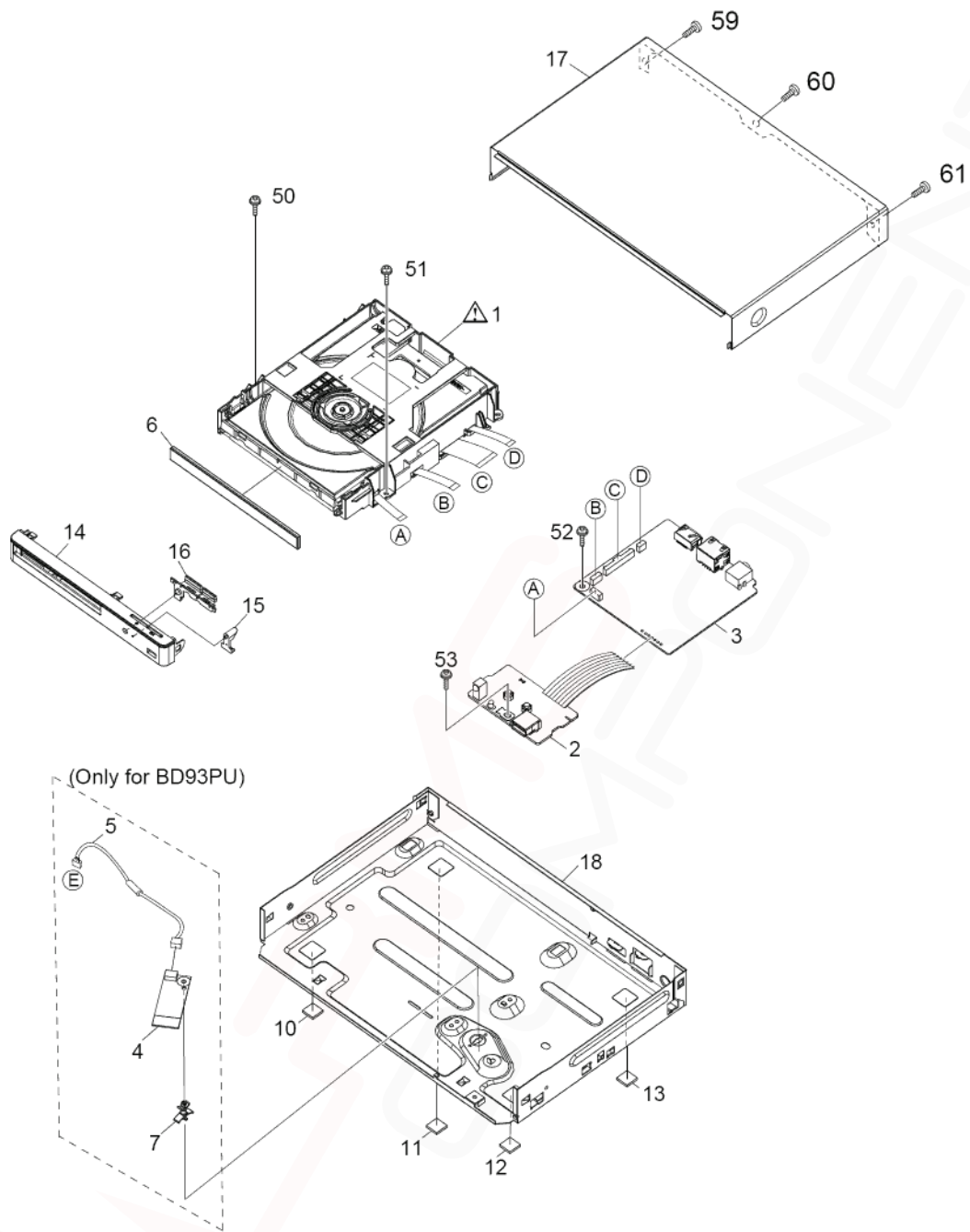
Model No. : DMP-BD73PU/GC/DMP-BD83PU/GN/GA/GT/GJ/DMP-BD93PU Parts List

Change	Safety	Ref. No.	Part No.	Part Name & Description	Q'ty	Remarks
		IC4002	C3ABVY000026	IC	1	E.S.D. BD83PU/GN/GA/GT/GJ/93PU
		IC5001	C0DBGYY03992	IC	1	E.S.D.
		IC6001	SUKB0404AFUT	IC	1	E.S.D. ADJ BD93PU
		IC6001	SUKB0404ABAT	IC	1	E.S.D. ADJ BD83GA
		IC6001	SUKB0404ABNT	IC	1	E.S.D. ADJ BD83GN
		IC6001	SUKB0608AAT	IC	1	E.S.D. ADJ BD83GJ
		IC6001	SUKB0404ABUT	IC	1	E.S.D. ADJ BD83PU
		IC6001	SUKB0404ABTT	IC	1	E.S.D. ADJ BD83GT
		IC6001	SUKB0404AACT	IC	1	E.S.D. ADJ BD73GC
		IC6001	SUKB0404AAUT	IC	1	E.S.D. ADJ BD73PU
		IC7201	G5BYC0000040	IC	1	E.S.D. BD83PU/GA/GN/GJ/GT
		IC8001	C0GBY0000130	IC	1	E.S.D.
		IC8002	C0DBGYY02449	IC	1	E.S.D.
		IP3001	K5H252Z00003	SURFACE MOUNTING FUSE	1	
		IP3401	ERBRE1R00V	SURFACE MOUNTING FUSE	1	BD93PU
		IR2001	PNJ4881M02VT	REMOTE SENSOR	1	
		J8001	K1MY45AA0310	CONNECTOR (45P)	1	
		J8002	K1MN05AA0046	CONNECTOR (5P)	1	
		J8003	K1MN05AA0046	CONNECTOR (5P)	1	
		J8004	K1MN04AA0046	CONNECTOR (4P)	1	
		JK3001	K2EDYB000009	JACK DC	1	BD83GJ
		JK3001	K2EDYB000005	JACK DC	1	BD73PU/GC/BD83PU/GN/GA/GT/BD93PU
		JK5001	K1FY119E0067	JACK HDMI	1	
		JK7201	K2LC108E0016	JACK LAN	1	BD83PU/GA/GN/GJ/GT
		L3101	G1C4R7MA0654	COIL	1	
		L3201	G1C3R3ZA0367	COIL	1	
		L3301	G1C3R3ZA0367	COIL	1	
		LB5001	J0ZZB00000194	COIL	1	
		LB5002	J0ZZB00000194	COIL	1	
		LB5003	J0JCC0000287	COIL	1	
		P5002	K1KY06AA1485	CONNECTOR (6P)	1	
		P7101	K1KY04AA0802	CONNECTOR (4P)	1	BD93PU
		Q3401	B1CHRD000092	TRANSISTOR	1	E.S.D. BD93PU
		Q3801	B1CHRD000092	TRANSISTOR	1	E.S.D.
		Q5001	B1GBCFJN0039	TRANSISTOR	1	E.S.D.
		Q6001	B1GDCEJ0010	TRANSISTOR	1	E.S.D.
		QR3401	B1GBCFNN0041	TRANSISTOR	1	E.S.D. BD93PU
		QR3801	B1GBCFNN0041	TRANSISTOR	1	E.S.D.
		R3101	D0GB220JA065	1/16W 22	1	
		R3102	D1BA1203A022	1/32W 120K	1	
		R3103	D1BA2202A022	1/32W 22K	1	
		R3104	D1BA1801A022	1/32W 1.8K	1	
		R3105	D0GA103JA023	1/16W 10K	1	
		R3201	D0GB220JA065	1/16W 22	1	
		R3202	D1BA2202A022	1/32W 22K	1	
		R3203	D1BA2202A022	1/32W 22K	1	
		R3301	D1BA2202A022	1/32W 22K	1	
		R3302	D0GB470JA065	1/10W 47	1	
		R3303	D1BA1002A022	1/32W 10K	1	
		R3304	D1BA2701A022	1/16W 2.7K	1	
		R3401	D0GA103JA023	1/16W 10K	1	BD93PU
		R3402	D0GA473JA023	1/16W 47K	1	BD93PU
		R3601	D0GA103JA023	1/16W 10K	1	
		R3701	D0GA474JA023	1/16W 470K	1	
		R3702	D0GA183JA023	1/16W 18K	1	
		R3703	D0GBR00J0004	1/16W 0	1	
		R3704	D0GA103JA023	1/16W 10K	1	
		R3705	D0GA103JA023	1/16W 10K	1	
		R3801	D0GA473JA023	1/16W 47K	1	
		R3802	D0GA103JA023	1/16W 10K	1	
		R3803	D0GDR00J0004	1/8W 0	1	
		R4001	D0GAR00J0005	1/16W 0	1	

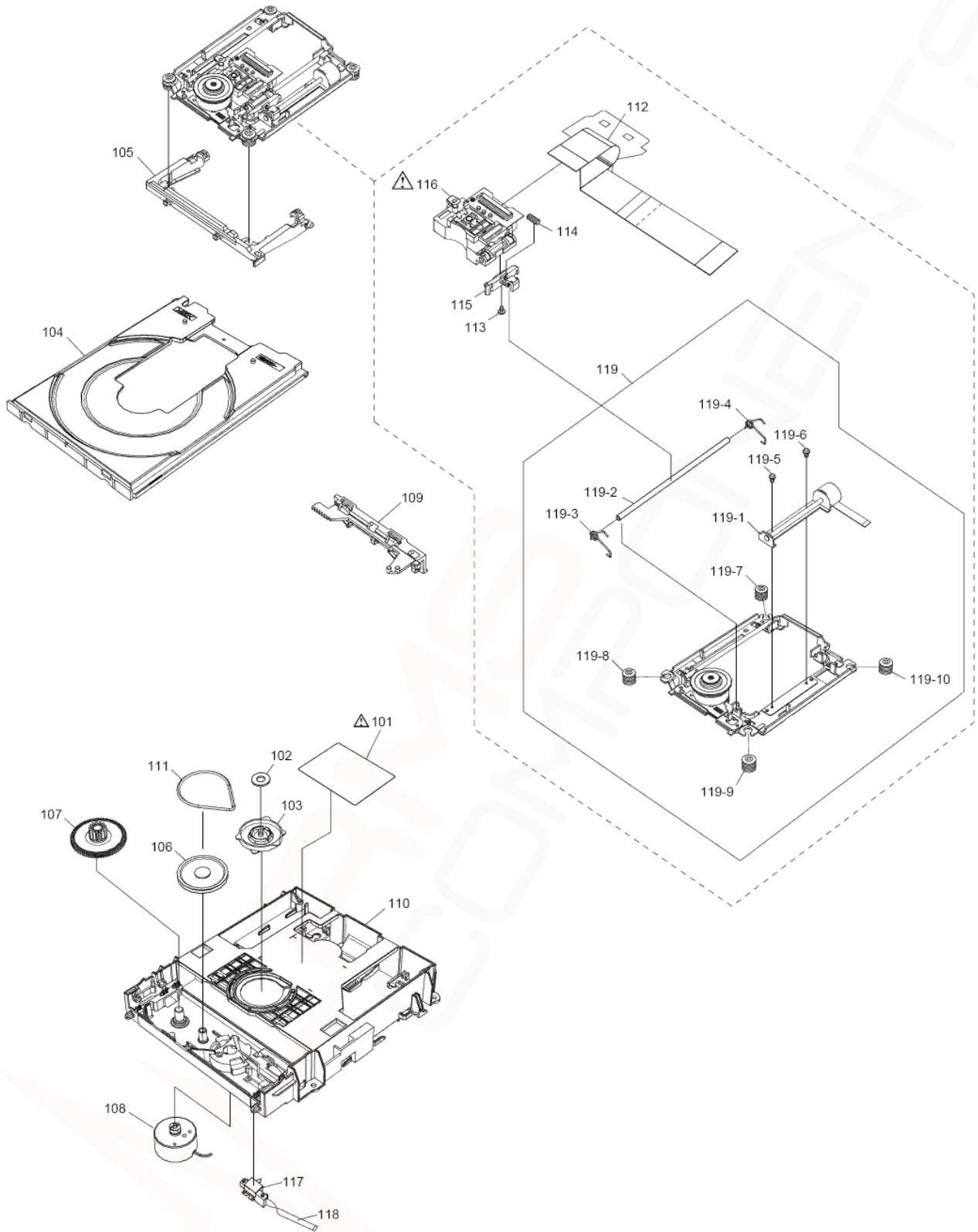
Model No. : DMP-BD73PU/GC/DMP-BD83PU/GN/GA/GT/GJ/DMP-BD93PU Parts List

Change	Safety	Ref. No.	Part No.	Part Name & Description	Q'ty	Remarks
		R4004	D1BA4992A022	1/32W 49.9K	1	
		R4006	D0GA241JA023	1/16W 240	1	
		R4007	D1BA4992A022	1/32W 49.9K	1	
		R4011	D0GAR00J0005	1/16W 0	1	
		R4015	D1BA1001A022	1/32W 1K	1	
		R4016	D1BA1000A022	1/32W 100	1	
		R4018	D1BA1001A022	1/32W 1K	1	
		R4019	D1BA1200A022	1/32W 120	1	
		R4020	D1BA1001A022	1/32W 1K	1	
		R4021	D0GAR00J0005	1/16W 0	1	
		R4023	ERJ2RKD510X	1/16W 51	1	
		R5001	D0GA105JA023	1/16W 1000K	1	
		R5002	D0GA100JA023	1/16W 10	1	
		R5004	D0GA182JA023	1/16W 1.8K	1	
		R5005	D0GA182JA023	1/16W 1.8K	1	
		R5006	D0GAR00J0005	1/16W 0	1	
		R5010	D0GA103JA023	1/16W 10K	1	
		R5011	D0GA103JA023	1/16W 10K	1	
		R5013	D0GA472JA023	1/16W 4.7K	1	BD93PU
		R5014	D0GA472JA023	1/16W 4.7K	1	BD83GA/GN/GJ/GT/PU/73GC/73PU
		R5016	D0GA472JA023	1/16W 4.7K	1	BD83GA/GN/GJ/GT/PU
		R5017	D0GA472JA023	1/16W 4.7K	1	BD93PU/73GC/73PU
		R5019	D0GA330JA023	1/16W 33	1	
		R5029	D0GA103JA023	1/16W 10K	1	
		R5030	D0GA103JA023	1/16W 10K	1	
		R5031	D0GA103JA023	1/16W 10K	1	
		R5032	D0GA103JA023	1/16W 10K	1	
		R5033	D0GA182JA023	1/16W 1.8K	1	
		R5034	D0GA103JA023	1/16W 10K	1	
		R6001	D1BA5101A022	1/16W 5.1K	1	
		R6002	D1BA5101A022	1/16W 5.1K	1	
		R6003	D1BA2402A022	1/32W 24K	1	
		R6004	D0GA472JA023	1/16W 4.7K	1	
		R6005	D0GAR00J0005	1/16W 0	1	
		R6006	D0GA472JA023	1/16W 4.7K	1	
		R6008	D0GA103JA023	1/16W 10K	1	
		R6009	D0GA103JA023	1/16W 10K	1	
		R6010	D0GA103JA023	1/16W 10K	1	
		R6011	D1BA5101A022	1/16W 5.1K	1	
		R6012	D0GA103JA023	1/16W 10K	1	
		R6013	D0GA153JA023	1/16W 15K	1	BD83GA/GN/GJ/GT/PU/73GC/73PU
		R6014	D0GA153JA023	1/16W 15K	1	BD83GA/GN/GJ/GT/PU/73GC/73PU
		R6015	D0GA153JA023	1/16W 15K	1	
		R6016	D0GA153JA023	1/16W 15K	1	
		R6017	D0GA103JA023	1/16W 10K	1	
		R7201	D0GA750JA023	1/16W 75	1	BD83PU/GA/GN/GJ/GT
		R7202	D0GA750JA023	1/16W 75	1	BD83PU/GA/GN/GJ/GT
		R7203	D0GA750JA023	1/16W 75	1	BD83PU/GA/GN/GJ/GT
		R7204	D0GA750JA023	1/16W 75	1	BD83PU/GA/GN/GJ/GT/BD73PU/73GC
		R8002	D0GA121JA023	1/16W 120	1	
		R8004	D0GA121JA023	1/16W 120	1	
		R8005	D0GA121JA023	1/16W 120	1	
		R8013	D0GFR39ZA043	1/2W 0.39	1	
		R8014	D0GA103JA023	1/16W 10K	1	
		R8015	D0GFR39ZA043	1/2W 0.39	1	
		R8019	D0GA103JA023	1/16W 10K	1	
		R8023	D0GB913JA065	1/10W 91K	1	
		RX8000	D1H81024A042	RESISTOR-RESISTOR	1	
		X5001	H0J270500185	OSCILLATOR	1	

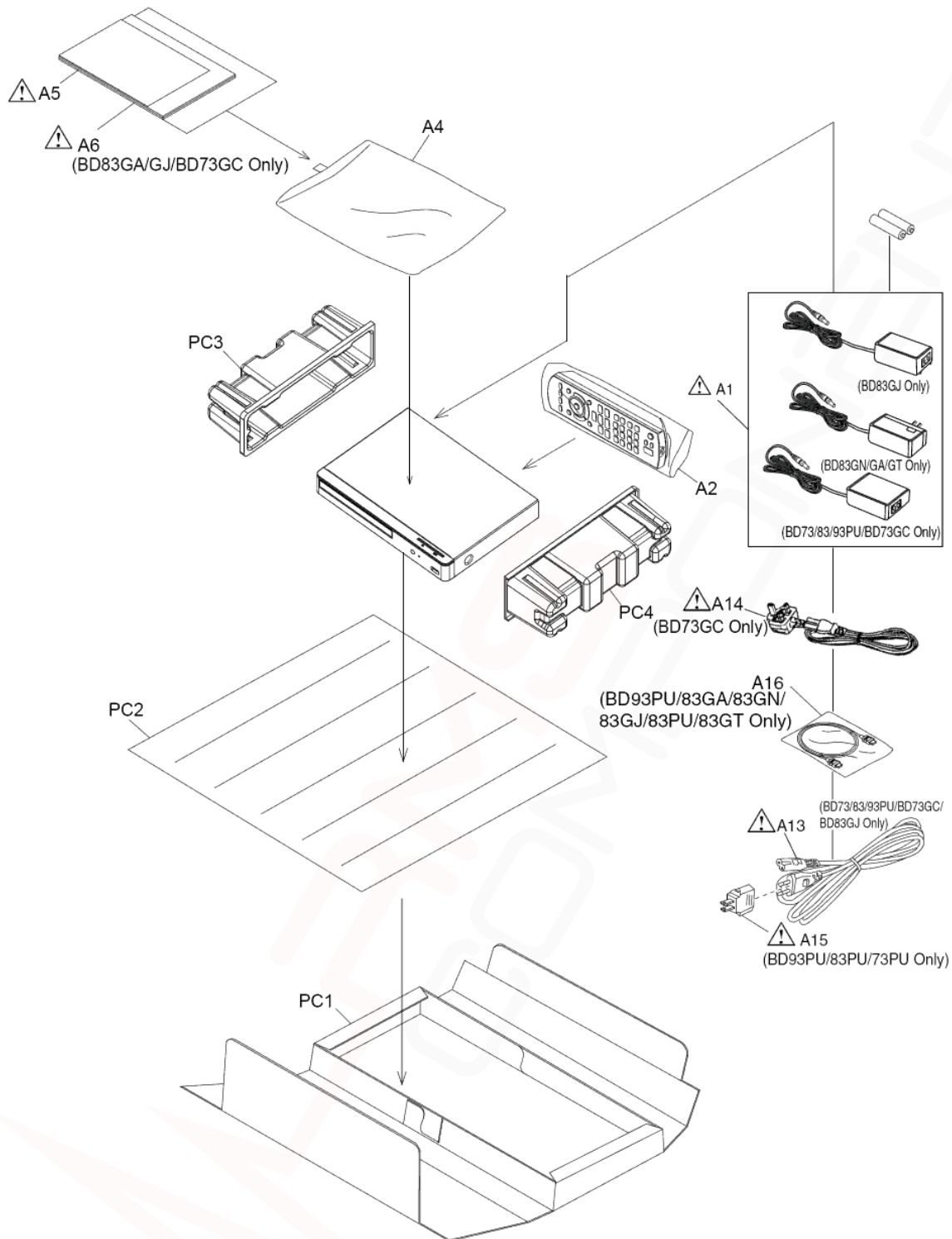
Model No. : DMP-BD73PU/GC/DMP-BD83PU/GN/GA/GT/GJ/DMP-BD93PU Exploded View



Model No. : DMP-BD73PU/GC/DMP-BD83PU/GN/GA/GT/GJ/DMP-BD93PU Mechanism View



Model No. : DMP-BD73PU/GC/DMP-BD83PU/GN/GA/GT/GJ/DMP-BD93PU Packing View



Model No. : DMP-BD73PU/GC/DMP-BD83PU/GN/GA/GT/GJ/DMP-BD93PU Parts List

Change	Safety	Ref. No.	Part No.	Part Name & Description	Q'ty	Remarks
			■	CASING		
	▲	1	SXY0013T	BD DRIVE	1	ADJ
		2	SEP0405AA	OPERATION P.C.B.	1	(RTL) E.S.D.
		3	SUKB0404AFUT	DIGITAL P.C.B.	1	E.S.D. ADJ BD93PU
		3	SUKB0404ABAT	DIGITAL P.C.B.	1	E.S.D. ADJ BD83GA
		3	SUKB0404ABNT	DIGITAL P.C.B.	1	E.S.D. ADJ BD83GN
		3	SUKB0608AAT	DIGITAL P.C.B.	1	E.S.D. ADJ BD83GJ
		3	SUKB0404ABUT	DIGITAL P.C.B.	1	E.S.D. ADJ BD83PU
		3	SUKB0404ABTT	DIGITAL P.C.B.	1	E.S.D. ADJ BD83GT
		3	SUKB0404AACT	DIGITAL P.C.B.	1	E.S.D. ADJ BD73GC
		3	SUKB0404AAUT	DIGITAL P.C.B.	1	E.S.D. ADJ BD73PU
		4	C5ZZZ0000098	WIFI MODULE	1	BD93PU
		5	VEE1Q68	WLAN CABLE UNIT	1	BD93PU
		6	RGK2298-K	TRAY PANEL	1	
		7	RMX0503	SPACER	1	BD93PU
		10	RKA0243-KU	FOOT RUBBER	1	
		11	RKA0243-KU	FOOT RUBBER	1	
		12	RKA0243-KU	FOOT RUBBER	1	
		13	RKA0243-KU	FOOT RUBBER	1	
		14	RGPI736-K	FRONT PANEL	1	BD93PU
		14	RGPI736B-K	FRONT PANEL	1	BD83GA/GN/GJ/PU/GT
		14	RGPI736E-K	FRONT PANEL	1	BD73PU/GC
		15	RGL0823-Q	LED SHEET	1	
		16	RGU2987-Q1	FUNCTION BUTTON	1	
		17	RKM0767-K	TOP CASE	1	
		18	RGR0476A-H1	BOTTOM CASE	1	BD93PU
		18	RGR0476B-M1	BOTTOM CASE	1	BD83GA
		18	RGR0476B-K	BOTTOM CASE	1	BD83GN
		18	RGR0476C-A	BOTTOM CASE	1	BD83GJ
		18	RGR0476B-A1	BOTTOM CASE	1	BD83PU
		18	RGR0476B-Q1	BOTTOM CASE	1	BD83GT
		18	RGR0476A-D	BOTTOM CASE	1	BD73GC
		18	RGR0476A-E1	BOTTOM CASE	1	BD73PU
		50	RHD30168-J	SCREW	1	
		51	RHD30168-J	SCREW	1	
		52	RHD30168-J	SCREW	1	
		53	RHD30168-J	SCREW	1	
		59	RHD30119-U	SCREW	1	
		60	RHD30119-U	SCREW	1	
		61	RHD30119-U	SCREW	1	
	▲	101	VQL2P54	LASER CAUTION LABEL	1	
		102	VMA0V86	YOKE	1	
		103	VMD6392-J	CLAMPER	1	
		104	VMD6881-1	TRAY	1	
		105	VMD6580	MID BASE	1	
		106	VDG1756-1J	PULLEY GEAR	1	
		107	VDG1757-J	MID GEAR	1	
		108	VEM0896-J	LOADING MOTOR U	1	
		109	VMD6390-J	SLIDE CAM	1	
		110	VMD6882-2	MECHA CHASSIS	1	
		111	VMG1720	BELT	1	
		112	VWJ2400-3	PICKFFC	1	
		113	VHD2268	NUT PIECE SCREW	1	
		114	VMB4004-J	NUT PIECE SPRING	1	
		115	VMD6754	NUT PIECE	1	
	▲	116	SXA0045-SER	OPU	1	ADJ
		117	KOL1CE000001	SWITCH	1	
		118	VWJ2304	SW FFC	1	
		119	SXA0044-SER	TRAVERSE UNIT	1	
		119-1	L6KAYYYH0010	STEPPING MOTOR	1	
		119-2	VMS8126	SHAFT	1	
		119-3	VMB4682	SHAFT SPRING	1	

Model No. : DMP-BD73PU/GC/DMP-BD83PU/GN/GA/GT/GJ/DMP-BD93PU Parts List

Change	Safety	Ref. No.	Part No.	Part Name & Description	Q'ty	Remarks
		119-4	VMB4682	SHAFT SPRING	1	
		119-5	XTN2+4FFJ	STEPPING MOTOR SCREW	1	
		119-6	XTN2+4FFJ	STEPPING MOTOR SCREW	1	
		119-7	VMG2037	DAMPER	1	
		119-8	VMG2037	DAMPER	1	
		119-9	VMG2037	DAMPER	1	
		119-10	VMG2037	DAMPER	1	
			■	ACCESSORY		
	⚠	A1	SAE0010AA	AC ADAPTOR	1	BD93PU/83PU/73GC/73PU
	⚠	A1	RFEA229E-1AH	AC ADAPTOR	1	BD83GJ
	⚠	A1	SAE0002BA	AC ADAPTOR	1	BD83GA
	⚠	A1	SAE0004AA	AC ADAPTOR	1	BD83GN
	⚠	A1	SAE0009AA	AC ADAPTOR	1	BD83GT
		A2	N2QAYB001026	REMOTE CONTROL UNIT	1	BD93PU/83PU
		A2	N2QAYB000958	REMOTE CONTROL UNIT	1	BD83GA/GJ/GT
		A2	N2QAYB001029	REMOTE CONTROL UNIT	1	BD83GN
		A2	N2QAYB000987	REMOTE CONTROL UNIT	1	BD73GC/PU
		A4	RPF0749	POLYETHYLENE BAG	1	
	⚠	A5	SQT0700	OPERATING INSTRUCTIONS	1	BD93PU/83PU/73PU
	⚠	A5	SQT0703-1	OPERATING INSTRUCTIONS	1	BD83GA/GN/GJ/73GC
	⚠	A5	SQT0705	OPERATING INSTRUCTIONS	1	BD83GT
	⚠	A6	SQT0705	OPERATING INSTRUCTIONS	1	BD83GA/83GJ
	⚠	A6	SQT0706	OPERATING INSTRUCTIONS	1	BD73GC
		A13	K2CQ2YY00126	AC CORD	1	BD93PU/83PU/73GC/73PU
		A13	K2CP2YY00061	AC CORD	1	BD83GJ
		A14	K2CT2CA00007	AC CORD	1	BD73GC
		A15	K2DAYYY00002	POWER PLUG ADAPTOR	1	BD93PU/83PU/73PU
		A16	K1HY19YY0027	HDMI CABLE	1	BD93PU/83GA/83GN/83GJ/83PU/83GT
			■	PACKING		
		PC1	RYQ1572-Z	PACKING CASE	1	BD93PU
		PC1	RYQ1507-Z	PACKING CASE	1	BD83GA
		PC1	RYQ1506-Z	PACKING CASE	1	BD83GN
		PC1	RYQ1508-Z	PACKING CASE	1	BD83GJ
		PC1	RYQ1500-Z	PACKING CASE	1	BD83PU
		PC1	RYQ1511-Z	PACKING CASE	1	BD83GT
		PC1	RYQ1509-Z	PACKING CASE	1	BD73GC
		PC1	RYQ1499-Z	PACKING CASE	1	BD73PU
		PC2	RPF0662	POLYETHYLENE BAG	1	
		PC3	RPN2736	CUSHION	1	
		PC4	RPN2736	CUSHION	1	