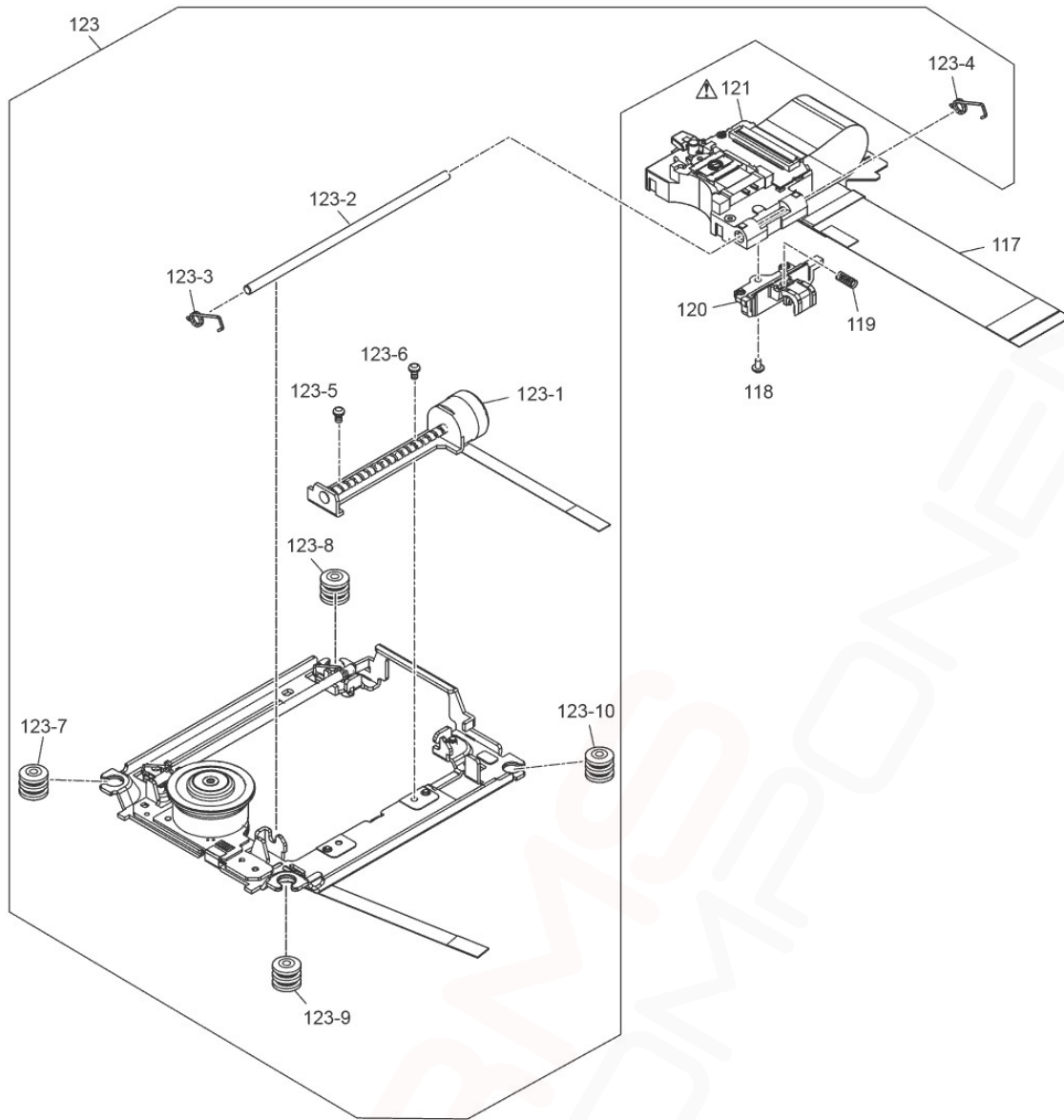
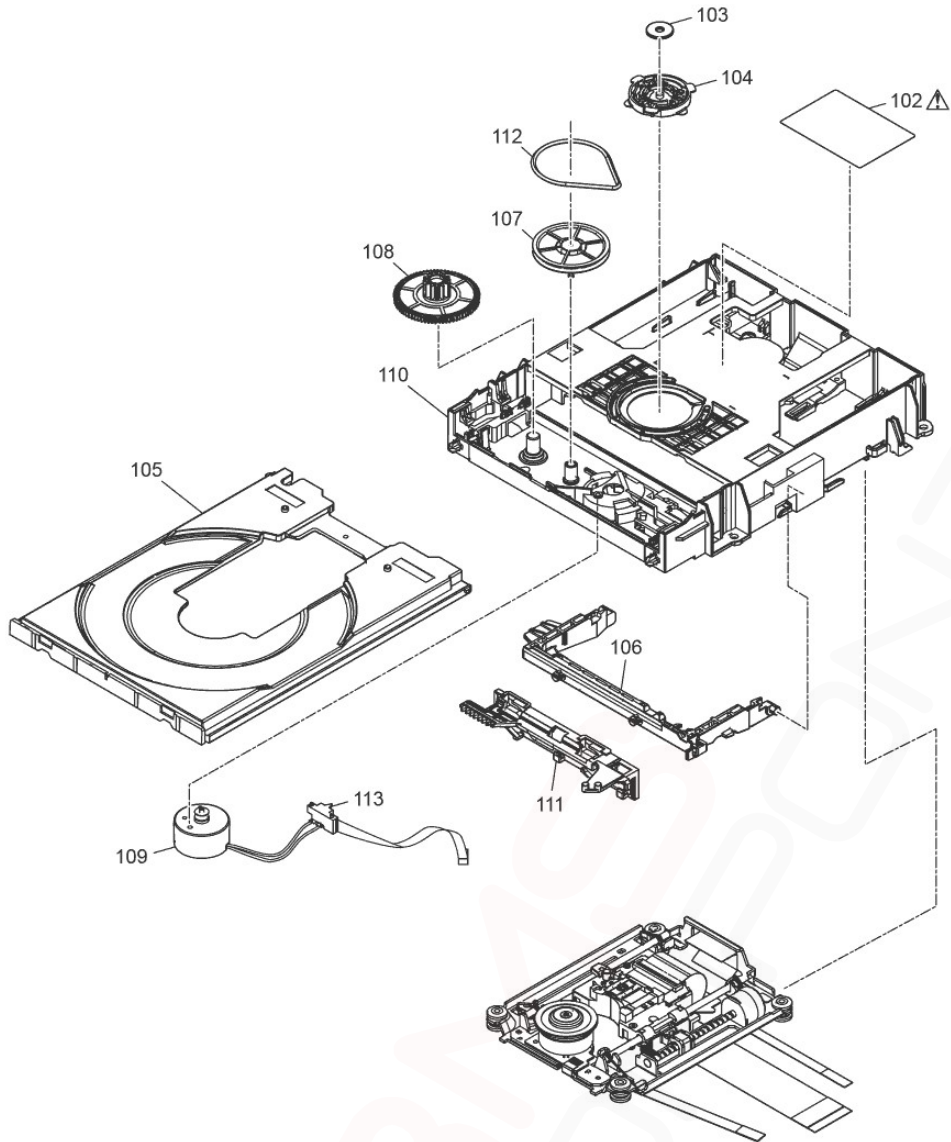


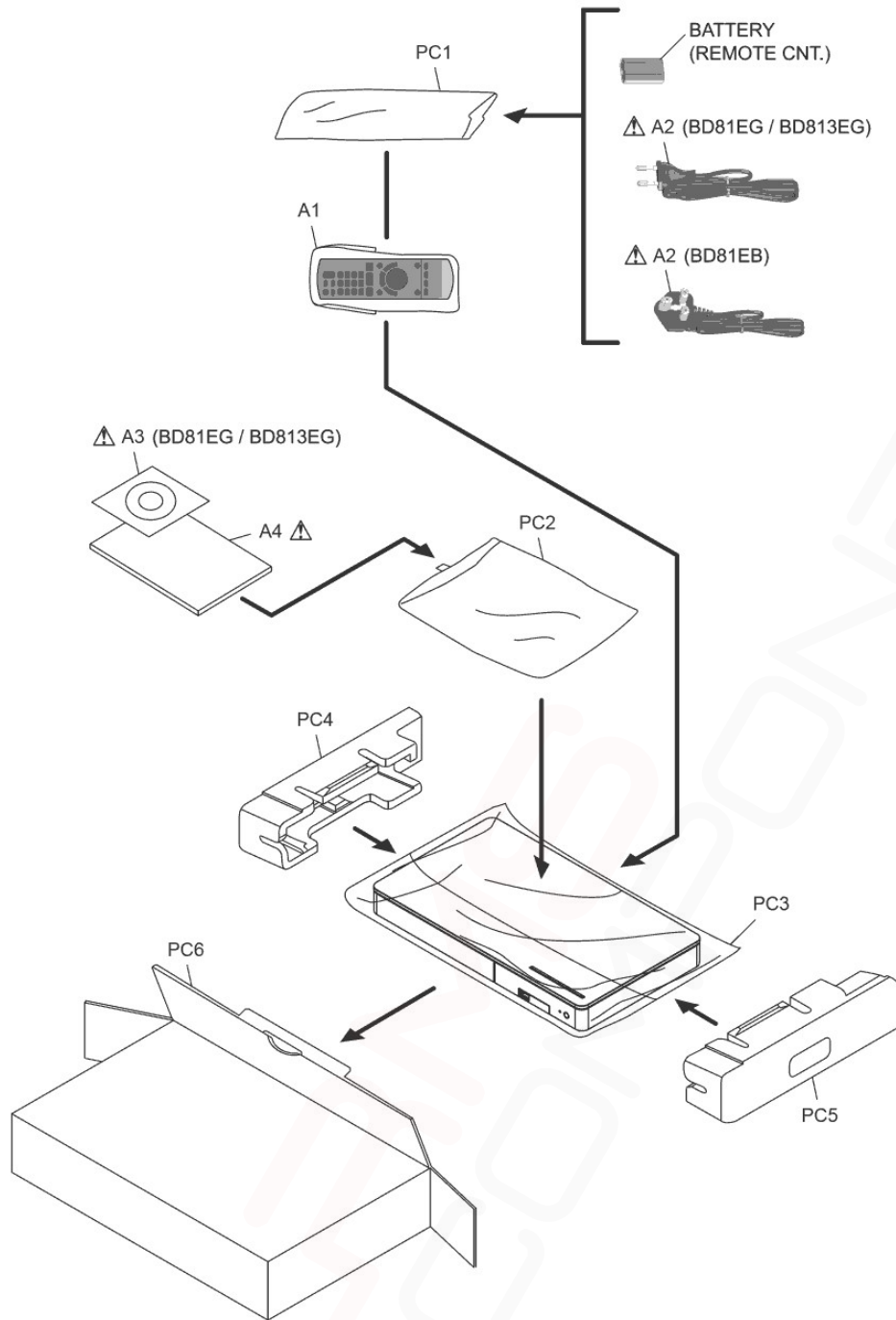
Model No. : DMP-BD81EG/EB/813EG Mechanism Section



Model No. : DMP-BD81EG/EB/813EG TRV Section



Model No. : DMP-BD81EG/EB/813EG Packing Parts and Accessories Section



Model No. : DMP-BD81EG/EB/813EG Parts List

Change	Safety	Ref. No.	Part No.	Part Name & Description	Q'ty	Remarks
		1	XTB3+8JFJ	SCREW	1	
		2	XTB3+8JFJ	SCREW	1	
		3	XTB3+8JFJ	SCREW	1	
		4	RGU2954-KJ	POWER BUTTON	1	(-K)
		4	RGU2954-SJ	POWER BUTTON	1	(-S)
	⚠	5	RKM0746-KJ	TOP COVER	1	(-K)
	⚠	5	RKM0746-SJ	TOP COVER	1	(-S)
		6	SUKB76349HGT	BD DIGITAL P.C.B. UNIT	1	E.S.D. 81EG,813EG (ADJ)
		6	SUKB76349HBT	BD DIGITAL P.C.B. UNIT	1	E.S.D. 81EB (ADJ)
		7	VEP71347A	BD POWER P.C.B. UNIT	1	(RTL) E.S.D.
		8	RGK2298-KJ	TRAY ORNAMENT	1	
	⚠	9	RGR0444E-A1	REAR PANEL	1	81EG,EB
	⚠	9	RGR0444E-B1	REAR PANEL	1	813EG
		10	RHD30168-J	SCREW	1	
		11	RHD30168-J	SCREW	1	
		12	RHD30168-J	SCREW	1	
		13	RHD30168-J	SCREW	1	
		14	RHD30168-J	SCREW	1	
		15	RMZ1364-J	BARRIER	1	
		16	RKA0243-KL	FOOT CUSHION	1	
		17	RKA0243-KL	FOOT CUSHION	1	
		18	RKA0243-KL	FOOT CUSHION	1	
		19	RKA0243-KL	FOOT CUSHION	1	
		20	XSN3+4FJ	SCREW	1	
		21	RYP1973-K	FRONT PANEL U	1	81EG,EB
		21	RYP1973A-K	FRONT PANEL U	1	813EG
		21-1	RGL0803-QJ	LED WINDOW	1	
		21-2	RMB0981-J	DOOR SPRING	1	
		21-3	RYF0985-K	TRAY DOOR UNIT	1	
		21-3-1	RMG0735-K	TRAY DOOR CUSHION	1	
		22	XTB3+8JFJ	SCREW	1	
	⚠	23	VXY2171T	DRIVE UNIT	1	(ADJ)
	⚠	102	VQL2P54	LASER CAUTION LABEL	1	
		103	VMA0V86	YOKE	1	
		104	VMD6392-J	CLAMPER	1	
		105	VMD6881	TRAY	1	
		106	VMD6580	MIDDLE BASE	1	
		107	VDG1756-1J	PULLEY GEAR	1	
		108	VDG1757-J	DRIVE GEAR	1	
		109	VEM0896-J	LOADING MOTOR UNIT	1	
		110	VMD6882-2	MECHANISM CHASSIS	1	
		111	VMD6390-J	SLIDE CAM	1	
		112	VMG1720	BELT	1	
		113	VXA8986	SW ASS'Y	1	
		117	VWJ2400-3	OPTICAL PICK-UP FFC	1	
		118	VHD2268	NUT PIECE SCREW	1	
		119	VMB4004-J	NUT PIECE SPRING	1	
		120	VMD6754	NUT PIECE	1	
	⚠	121	VXA9068-SER	OPTICAL PICK-UP	1	(ADJ)
		123	VXA9067-SER	TRAVERSE UNIT (without OPU)	1	
		123-1	L6KAYYYH0010	STEPPING MOTOR	1	
		123-2	VMS8126	SHAFT	1	
		123-3	VMB4682	SHAFT SPRING	1	
		123-4	VMB4682	SHAFT SPRING	1	
		123-5	XTN2+4FFJ	SCREW	1	
		123-6	XTN2+4FFJ	SCREW	1	
		123-7	VMG1966	DUMPPER	1	
		123-8	VMG1966	DUMPPER	1	
		123-9	VMG1966	DUMPPER	1	
		123-10	VMG1966	DUMPPER	1	
		A1	N2QAYB000956	REMOTE CONTROLLER	1	81EG,813EG
		A1	N2QAYB000960	REMOTE CONTROLLER	1	81EB

Model No. : DMP-BD81EG/EB/813EG Parts List

Change	Safety	Ref. No.	Part No.	Part Name & Description	Q'ty	Remarks
	⚠	A2	K2CQ2CA00006	POWER CORD	1	81EG,813EG
	⚠	A2	K2CT2YY00098	POWER CORD	1	81EB
	⚠	A3	SFM0011	CD-ROM (OPERATING INSTRUCTIONS)	1	81EG,813EG
	⚠	A4	SQT0111	OPERATING INSTRUCTIONS	1	81EG
	⚠	A4	SQT0126	OPERATING INSTRUCTIONS	1	81EB
	⚠	A4	SQT0112	OPERATING INSTRUCTIONS	1	813EG
		PC1	RPF0535	ACCESSORY BAG (POWER CORD)	1	81EG,813EG
		PC1	RPF0501	ACCESSORY BAG (POWER CORD)	1	81EB
		PC2	RPF0557-1	ACCESSORY BAG	1	
		PC3	RPF0711	PROTECTION SHEET	1	
		PC4	RPN2664A	CUSHION A	1	
		PC5	RPN2664B	CUSHION B	1	
		PC6	RYQ1368-Z	PACKING CASE UNIT	1	81EG-K
		PC6	RYQ1369-Z	PACKING CASE UNIT	1	81EG-S
		PC6	RYQ1371-Z	PACKING CASE UNIT	1	81EB-K
		PC6	RYQ1372-Z	PACKING CASE UNIT	1	813EGK