

# Service Manual

Blu-ray Disc Player





Model No. **DMP-BD79GA**  
**DMP-BD79GC**  
**DMP-BD79GN**  
**DMP-BD79GT**  
**DMP-BD79GW**  
**DMP-BD79PU**  
**DMP-BD79PH**

Colour  
(K).....Black Type

## Model No. : DMP-BD79GA/BD79GC/BD79GN/BD79GT/BD79GW/BD79PU/BD79PH Parts List

Change	Safety	Ref. No.	Part No.	Part Name & Description	Q'ty	Remarks
		■	VEP71298V	POWER P.C.B.		(RTL) E.S.D. BD79GA
		■	VEP71298P	POWER P.C.B.		(RTL) E.S.D. BD79GC/GN/GW
		■	VEP71298K	POWER P.C.B.		(RTL) E.S.D. BD79GT
		■	VEP71298H	POWER P.C.B.		(RTL) E.S.D. BD79PH/PU
	⚠	C1001	F0CAF683A150	250V 0.068U	1	BD79GA/GC/GN/GW/PH/PU
	⚠	C1005	F1B2G471A022	400V 470P	1	BD79GA/GC/GN/GW/PH/PU
	⚠	C1005	F1B2G102A024	100V 1000P	1	BD79GT
	⚠	C1006	F1B2G471A022	400V 470P	1	BD79GA/GC/GN/GW/PH/PU
	⚠	C1006	F1B2G102A024	100V 1000P	1	BD79GT
	⚠	C1007	F0CAF2230005	250V 0.022U	1	BD79GA/GC/GN/GW/PH/PU
	⚠	C1009	F0CAF104A150	250V 0.1U	1	BD79GT
		C1015	F2A2G8200005	400V 82P	1	BD79PU/PH
		C1016	F2B2G4700007	400V 47U	1	BD79GA/GC/GN/GW
		C1016	F2B2D1010006	200V 100U	1	BD79GT
	⚠	C1018	F1B2G102A024	100V 1000P	1	
		C1021	F1A3D470A016	2000V 47U	1	
		C1022	F2A1H100A454	50V 10U	1	
		C1024	F1H1H103A219	50V 0.01U	1	
		C1031	F1K2J2220002	630V 2200P	1	
		C1114	F1H1C104A071	16V 0.1U	1	
		C1118	F2A1C4710079	16V 470U	1	
		C1121	F2A1A1220012	10V 1200U	1	
		C1124	F1H1C104A071	16V 0.1U	1	
		C1125	F2A1C471A938	16V 470U	1	
		C1130	F2A1A471A211	10V 470U	1	
		C7002	F1H1A105A028	10V 1U	1	
		D1006	B0EDKT000007	DIODE	1	E.S.D.
		D1022	B0HAMM000106	DIODE	1	E.S.D.
		D1023	B0BA01700055	DIODE	1	E.S.D.
		D1024	B0BA03600036	DIODE	1	E.S.D.
		D1025	B0BA01700055	DIODE	1	E.S.D.
		D1031	B0EAKV000090	DIODE	1	E.S.D.
		D1110	B0JCPL000007	DIODE	1	E.S.D. BD79GA/GC/GN/GW/PH/PU
		D1110	B0JCNG000011	DIODE	1	E.S.D. BD79GT
		D1111	B0JARG000017	DIODE	1	E.S.D.
		D1112	B0JARG000017	DIODE	1	E.S.D.
		D7002	B3ABA0000595	DIODE	1	E.S.D.
		D7003	B3AAA0001018	DIODE	1	E.S.D.
	⚠	F1001	K5G202Y00006	FUSE	1	
		IC1021	C0DACYY00011	IC	1	E.S.D.
		IC1103	C0DBZYY00486	IC	1	E.S.D.
		IR7001	PNJ4881M02VT	REMOTE SENSOR	1	
	⚠	P1001	K2AA2B000011	AC INLET	1	
		P1102	K1KY23AA0606	CONNECTOR (23P)	1	
		P1103	K1FY104B0076	CONNECTOR (4P)	1	
		P1104	K1FY104B0076	CONNECTOR (4P)	1	
	⚠	L1001	G0B233D00005	COIL	1	
		L1103	G0C100KA0174	COIL	1	
		L1105	G0C100K00043	COIL	1	
		LB7001	J0JHC0000046	COIL	1	BD79GA/GC/GN/GW/PH/PU
		LB7001	J0JHC0000116	COIL	1	BD79GT
	⚠	Q1022	B3PBA0000454	TRANSISTOR	1	E.S.D.
	⚠	R1006	ERJ8GEYJ335V	1/8W 3.3M	1	BD79GA
	⚠	R1007	ERJ8GEYJ335V	1/8W 3.3M	1	BD79GA
		R1021	D0GZR22JA027	1/2W 0.22	1	
		R1022	D0GZR22JA027	1/2W 0.22	1	
		R1030	D0GD4R7JA052	1/8W 4.7	1	
		R1031	ERJ1TYJ473U	1W 47K	1	
		R1032	ERJ14YJ221U	1/4W 220	1	
		R1033	ERJ1TYJ220U	1W 22	1	
		R1111	D0GB102JA065	1/10W 1K	1	
		R1112	D0GB471JA065	1/10W 470	1	

**Model No. : DMP-BD79GA/BD79GC/BD79GN/BD79GT/BD79GW/BD79PU/BD79PH Parts List**

Change	Safety	Ref. No.	Part No.	Part Name & Description	Q'ty	Remarks
		R1113	D0GB103JA065	1/10W 1K	1	
		R1115	ERJ3RBD822V	1/16W 8.2K	1	
		R1116	D0GB222JA065	1/10W 2.2K	1	
		R1119	ERJ3RBD103V	1/16W 10K	1	
		R1121	ERJ3RBD102V	1/16W 1K	1	
		R1123	D0GD682JA052	1/8W 6.8K	1	
		R7002	ERJ6GEYJ471V	1/10W 470	1	
		R7003	ERJ6GEYJ202V	1/10W 2K	1	
		R7005	ERJ3GEYJ330V	1/10W 33	1	
		R7007	ERJ3GEYJ4R7V	1/10W 4.7	1	
		S7001	EVQ11A05R	SWITCH (OPEN/CLOSE)	1	
		S7002	EVQ11A05R	SWITCH (PLAY)	1	
		S7003	EVQ11A05R	SWITCH (STOP)	1	
		S7004	EVQ11A05R	SWITCH (POWER)	1	
		T1001	G4DYA0000473	TRANSFORMER	1	
		VA1001	ERZE08A471CS	VARISTOR	1	
		W501	ERJ3GEY0R00V	1/10W 0	1	
		ZA1001	K9ZZ00002324	EARTH PLATE	1	
		ZA1005	K9ZZ00002324	EARTH PLATE	1	
		■	RFKB76325KT	DIGITAL P.C.B.		E.S.D. ADJ BD79GA
		■	RFKB76325KCT	DIGITAL P.C.B.		E.S.D. ADJ BD79GC
		■	RFKB76325GTT	DIGITAL P.C.B.		E.S.D. ADJ BD79GN
		■	RFKB76325KTT	DIGITAL P.C.B.		E.S.D. ADJ BD79GT
		■	RFKB76325KWT	DIGITAL P.C.B.		E.S.D. ADJ BD79GW
		■	RFKB76325KHT	DIGITAL P.C.B.		E.S.D. ADJ BD79PH
		■	RFKB76325KUT	DIGITAL P.C.B.		E.S.D. ADJ BD79PU
		C51001	F1G1A1040006	10V 0.1U	1	
		C51002	F1G1A1040006	10V 0.1U	1	
		C51003	F1G1A1040006	10V 0.1U	1	
		C51004	F1G1A1040006	10V 0.1U	1	
		C51005	F1G1A1040006	10V 0.1U	1	
		C51006	F1G1A1040006	10V 0.1U	1	
		C51007	F1G1A1040006	10V 0.1U	1	
		C51008	F1G1A1040006	10V 0.1U	1	
		C51009	F1G1A1040006	10V 0.1U	1	
		C51010	F1G1A1040006	10V 0.1U	1	
		C51011	F1G1A1040006	10V 0.1U	1	
		C51012	F1G1A1040006	10V 0.1U	1	
		C51013	F1G1A1040006	10V 0.1U	1	
		C51014	F1G1A1040006	10V 0.1U	1	
		C51015	F1G1C1030008	16V 0.01U	1	
		C51017	F1G1H101A541	50V 100P	1	
		C51019	F1G1A1040006	10V 0.1U	1	
		C51024	F1G1A1040006	10V 0.1U	1	
		C51027	F1G1A1040006	10V 0.1U	1	
		C52001	F1H0J4750004	6.3V 4.7U	1	
		C52002	F1H0J4750004	6.3V 4.7U	1	
		C52003	F1G1A1040006	10V 0.1U	1	
		C52004	F1G1A1040006	10V 0.1U	1	
		C52005	F1G1A1040006	10V 0.1U	1	
		C52006	F1G1A1040006	10V 0.1U	1	
		C52007	F1G1A1040006	10V 0.1U	1	
		C52011	F1H0J4750004	6.3V 4.7U	1	
		C52012	F1G1A1040006	10V 0.1U	1	
		C52013	F1G1A1040006	10V 0.1U	1	
		C52014	F1G1A1040006	10V 0.1U	1	
		C52015	F1G1A1040006	10V 0.1U	1	
		C52020	F1J0J2260004	6.3V 22U	1	
		C52021	F1G1A1040006	10V 0.1U	1	
		C52022	F1G1A1040006	10V 0.1U	1	
		C52023	F1G1A1040006	10V 0.1U	1	
		C52024	F1G1A1040006	10V 0.1U	1	


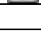
**Model No. : DMP-BD79GA/BD79GC/BD79GN/BD79GT/BD79GW/BD79PU/BD79PH Parts List**

Change	Safety	Ref. No.	Part No.	Part Name & Description	Q'ty	Remarks
		C52025	F1G1A1040006	10V 0.1U	1	
		C52026	F1G1A1040006	10V 0.1U	1	
		C52030	F1J0J2260004	6.3V 22U	1	
		C52031	F1G1A1040006	10V 0.1U	1	
		C52032	F1G1A1040006	10V 0.1U	1	
		C52033	F1G1A1040006	10V 0.1U	1	
		C52034	F1G1A1040006	10V 0.1U	1	
		C52035	F1G1A1040006	10V 0.1U	1	
		C52036	F1G1A1040006	10V 0.1U	1	
		C52037	F1G1A1040006	10V 0.1U	1	
		C52038	F1G1A1040006	10V 0.1U	1	
		C52039	F1G1A1040006	10V 0.1U	1	
		C52040	F1G1A1040006	10V 0.1U	1	
		C52041	F1G1A1040006	10V 0.1U	1	
		C52042	F1G1A1040006	10V 0.1U	1	
		C52043	F1G1A1040006	10V 0.1U	1	
		C52044	F1G1A1040006	10V 0.1U	1	
		C52045	F1G1A1040006	10V 0.1U	1	
		C52046	F1G1A1040006	10V 0.1U	1	
		C52050	F1G1A1040006	10V 0.1U	1	
		C52201	F1G1A1040006	10V 0.1U	1	
		C52202	F1J0J2260004	6.3V 22U	1	
		C52203	F1J0J2260004	6.3V 22U	1	
		C52204	F1G1A1040006	10V 0.1U	1	
		C52205	F1G1A1040006	10V 0.1U	1	
		C52206	F1G1A1040006	10V 0.1U	1	
		C52207	F1G1A1040006	10V 0.1U	1	
		C52208	F1G1A1040006	10V 0.1U	1	
		C52209	F1G1A1040006	10V 0.1U	1	
		C52210	F1G1A1040006	10V 0.1U	1	
		C52211	F1G1A1040006	10V 0.1U	1	
		C52212	F1G1A1040006	10V 0.1U	1	
		C52213	F1G1A1040006	10V 0.1U	1	
		C52214	F1G1A1040006	10V 0.1U	1	
		C52215	F1G1A1040006	10V 0.1U	1	
		C52216	F1G1A1040006	10V 0.1U	1	
		C52217	F1G1A1040006	10V 0.1U	1	
		C52220	F1G1A1040006	10V 0.1U	1	
		C55001	F1G1E102A086	25V 1000P	1	
		C55016	F1G1A104A012	10V 0.1U	1	
		C55017	F1J1C475A059	16V 4.7U	1	
		C55018	F1G1A104A012	10V 0.1U	1	
		C55026	F1H0J2250008	6.3V 2.2U	1	
		C55029	F2G1E470A066	25V 47P	1	
		C55030	F1G1A104A012	10V 0.1U	1	
		C55031	F1G1E1040001	25V 0.1U	1	
		C55032	F1K1E1060001	25V 10U	1	
		C55033	F1J1A106A024	10V 10U	1	
		C55038	F1J0J2260004	6.3V 22U	1	
		C55041	F1J0J2260004	6.3V 22U	1	
		C55042	F2G0J221A065	6.3V 220U	1	
		C55046	F1G1A104A012	10V 0.1U	1	
		C55054	F1H0J2250008	6.3V 2.2U	1	
		C55056	F1G1E102A086	25V 1000P	1	
		C55057	F1G1E102A086	25V 1000P	1	
		C55058	F1G1E102A086	25V 1000P	1	
		C55059	F1G1E102A086	25V 1000P	1	
		C55060	F1G0J1050007	6.3V 10U	1	
		C55061	F1G1C104A077	16V 0.1U	1	
		C55063	F1G1E102A086	25V 1000P	1	
		C55064	F1G1E1040001	25V 0.1U	1	
		C55065	F1G1E1040001	25V 0.1U	1	

**Model No. : DMP-BD79GA/BD79GC/BD79GN/BD79GT/BD79GW/BD79PU/BD79PH Parts List**

Change	Safety	Ref. No.	Part No.	Part Name & Description	Q'ty	Remarks
		C55066	F1G1E1040001	25V 0.1U	1	
		C55067	F1G1A1040006	10V 0.1U	1	
		C55068	F1G1A1040006	10V 0.1U	1	
		C55076	F1G1C104A077	16V 0.1U	1	
		C55077	F1G1C104A077	16V 0.1U	1	
		C55079	F1G1A1040006	10V 0.1U	1	
		C55080	F1H0J2250008	6.3V 2.2U	1	
		C55081	F1H0J2250008	6.3V 2.2U	1	
		C55082	F1G1E1030005	25V 0.01U	1	
		C55083	F1G1E1030005	25V 0.01U	1	
		C55085	F1K1E1060001	25V 10U	1	
		C55086	F1G1E1040001	25V 0.1U	1	
		C55087	F1J1A106A043	10V 10U	1	
		C55088	F1G1E1040001	25V 0.1U	1	
		C55093	F1G1E102A086	25V 1000P	1	
		C55094	F1G1E102A086	25V 1000P	1	
		C55095	F1G1E102A086	25V 1000P	1	
		C55096	F1G1A104A012	10V 0.1U	1	
		C55098	F1G1A104A012	10V 0.1U	1	
		C55100	F1H1H682A219	50V 6800P	1	
		C55101	F1G1C104A077	16V 0.1U	1	
		C55102	F1J1C106A059	16V 10U	1	
		C55104	F1J1C106A059	16V 10U	1	
		C55105	F1K1E1060001	25V 10U	1	
		C55106	F1K1E105A029	25V 1U	1	
		C55110	F1J1E104A137	25V 0.1U	1	
		C55120	F1G1E1030005	25V 0.01U	1	
		C55121	F1G1E1030005	25V 0.01U	1	
		C56302	F1H1A105A028	10V 1U	1	
		C56303	F1G0J1050007	6.3V 10U	1	
		C56504	F1G1A1040006	10V 0.1U	1	
		C56505	F1G1A1040006	10V 0.1U	1	
		C56506	F1G1A1040006	10V 0.1U	1	
		C56507	F1G1A1040006	10V 0.1U	1	
		C56508	F1G1A1040006	10V 0.1U	1	
		C56509	F1G1H220A565	50V 22P	1	
		C56510	F1G1H220A565	50V 22P	1	
		C56511	F1G1A1040006	10V 0.1U	1	
		C58100	F1H1A105A028	10V 1U	1	
		C58101	F1H1A105A028	10V 1U	1	
		C58112	F1H1C104A071	16V 0.1U	1	
		C58113	F1H1E223A050	25V 0.022U	1	
		C58120	F1H1A105A028	10V 1U	1	
		C58210	F1J0J106A014	6.3V 10U	1	
		C58221	F1J0J2260004	6.3V 22U	1	
		C58222	F1J0J2260004	6.3V 22U	1	
		C58230	F1H1A105A028	10V 1U	1	
		C58231	F1G1E6820007	6.3V 10U	1	
		C58232	F1H1C104A071	16V 0.1U	1	
		C58310	F1J1C1060001	16V 10U	1	
		C58321	F1J0J2260004	6.3V 22U	1	
		C58322	F1J0J2260004	6.3V 22U	1	
		C58330	F1H1A105A028	10V 1U	1	
		C58331	F1G1E6820007	25V 6800P	1	
		C58332	F1H1C104A071	16V 0.1U	1	
		C58400	F1J0J106A014	6.3V 10U	1	
		C58401	F1J0J106A014	6.3V 10U	1	
		C58500	F1J0J106A014	6.3V 10U	1	
		C58501	F1J0J106A014	6.3V 10U	1	
		C58510	F1J0J106A014	6.3V 10U	1	
		C58511	F1J0J106A014	6.3V 10U	1	
		C59001	F1G1A1040006	10V 0.1U	1	

**Model No. : DMP-BD79GA/BD79GC/BD79GN/BD79GT/BD79GW/BD79PU/BD79PH Parts List**

Change	Safety	Ref. No.	Part No.	Part Name & Description	Q'ty	Remarks
		C59002	F1G1A1040006	10V 0.1U	1	
		IC51001	RFKB76325KT	IC	1	E.S.D. ADJ BD79GA
		IC51001	RFKB76325KCT	IC	1	E.S.D. ADJ BD79GC
		IC51001	RFKB76325GT	IC	1	E.S.D. ADJ BD79GN
		IC51001	RFKB76325KTT	IC	1	E.S.D. ADJ BD79GT
		IC51001	RFKB76325KWT	IC	1	E.S.D. ADJ BD79GW
		IC51001	RFKB76325KHT	IC	1	E.S.D. ADJ BD79PH
		IC51001	RFKB76325KUT	IC	1	E.S.D. ADJ BD79PU
		IC51078	RFKB76325KT	IC	1	E.S.D. ADJ BD79GA
		IC51078	RFKB76325KCT	IC	1	E.S.D. ADJ BD79GC
		IC51078	RFKB76325GT	IC	1	E.S.D. ADJ BD79GN
		IC51078	RFKB76325KTT	IC	1	E.S.D. ADJ BD79GT
		IC51078	RFKB76325KWT	IC	1	E.S.D. ADJ BD79GW
		IC51078	RFKB76325KHT	IC	1	E.S.D. ADJ BD79PH
		IC51078	RFKB76325KUT	IC	1	E.S.D. ADJ BD79PU
		IC52001	C3ABTY000059	IC	1	E.S.D.
		IC52201	C3ABTY000059	IC	1	E.S.D.
		IC55003	COGBY0000130	IC	1	E.S.D.
		IC55004	C0DBGYY02449	IC	1	E.S.D.
		IC56301	C0CBCDC00074	IC	1	E.S.D.
		IC58100	C0DBGYY03267	IC	1	E.S.D.
		IC58111	C0EBY0000679	IC	1	E.S.D.
		IC58200	C0DBAYY01285	IC	1	E.S.D.
		IC58300	C0DBAYY01285	IC	1	E.S.D.
		IC58400	C0DBEYY00176	IC	1	E.S.D.
		IC58500	C0DBZYY00577	IC	1	E.S.D.
		IC58510	C0DBZYY00577	IC	1	E.S.D.
		IP55004	K5H252Z00003	SURFACE MOUNTING FUSE	1	
		IP55005	K5H252Z00003	SURFACE MOUNTING FUSE	1	
		JK51001	K1KY06AA0802	JACK	1	
		JK56301	K1FY119E0025	JACK HDMI	1	
		JK59001	K2LC108E0014	JACK LAN	1	
		L55001	G1C100KA0101	COIL	1	
		L55002	G1C220MA0291	COIL	1	
		L55003	G1C100KA0101	COIL	1	
		L56301	J0MAB0000241	FILTERS FOR EMI/EMC	1	
		L56302	J0MAB0000241	FILTERS FOR EMI/EMC	1	
		L58200	G1C3R3ZA0367	COIL	1	
		L58300	G1C3R3ZA0367	COIL	1	
		LB55001	J0JJC0000005	COIL	1	
		LB55002	J0JJC0000005	COIL	1	
		LB58500	J0JHC0000117	COIL	1	
		LB58510	J0JHC0000117	COIL	1	
		P55001	K1MY45A00001	CONNECTOR (45P)	1	
		P55003	K1MN04AA0046	CONNECTOR (4P)	1	
		P55004	K1MN05AA0046	CONNECTOR (5P)	1	
		P55005	K1MN05AA0046	CONNECTOR (5P)	1	
		P58001	K1KY23AA0607	CONNECTOR23P)	1	
		Q55001	B1CBGD000001	TRANSISTOR	1	E.S.D.
		Q55002	B1ABCF000010	TRANSISTOR	1	E.S.D.
		Q56301	B1ABDF000026	TRANSISTOR	1	E.S.D.
		Q58120	B1DGDC000002	TRANSISTOR	1	E.S.D.
		Q55003	B1ABDF000026	TRANSISTOR	1	E.S.D.
		QR51001	B1GBCFJN0039	TRANSISTOR	1	E.S.D.
		QR51003	B1GBCFEN0015	TRANSISTOR	1	E.S.D.
		QR51004	B1GBCFEN0015	TRANSISTOR	1	E.S.D.
		QR51005	B1GBCFEN0015	TRANSISTOR	1	E.S.D.
		QR51006	B1GBCFEN0015	TRANSISTOR	1	E.S.D.
		QR58120	B1GBCFNN0041	TRANSISTOR	1	E.S.D.
		R51001	ERJ2RHD243X	1/16W 24K	1	
		R51002	ERJ2RHD512X	1/16W 5.1K	1	
		R51003	D0GA103JA023	1/16W 10K	1	

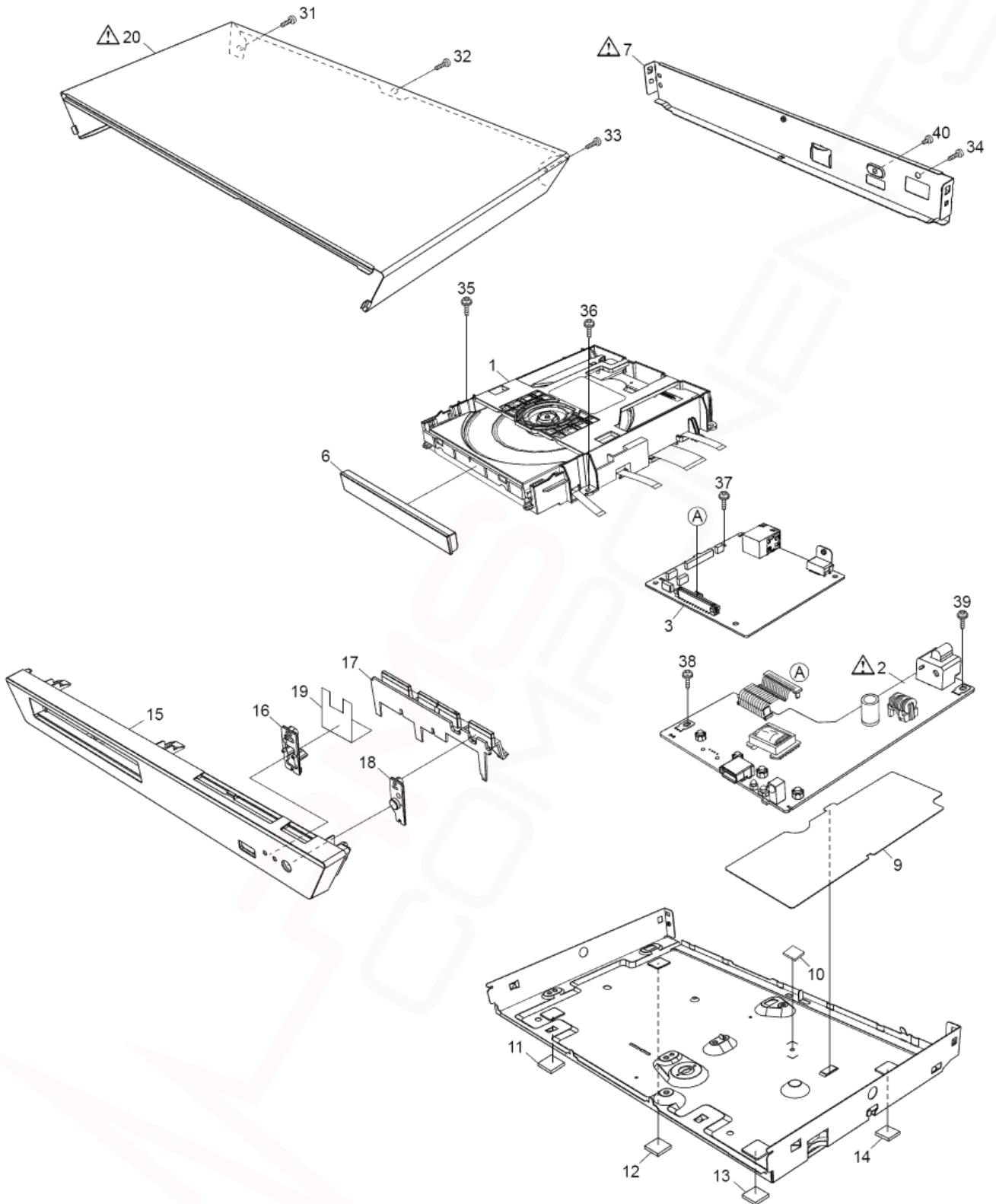
**Model No. : DMP-BD79GA/BD79GC/BD79GN/BD79GT/BD79GW/BD79PU/BD79PH Parts List**

Change	Safety	Ref. No.	Part No.	Part Name & Description	Q'ty	Remarks
		R51006	D0GA103JA023	1/16W 10K	1	
		R51025	D0GA472JA023	1/16W 4.7K	1	
		R51027	D0GA472JA023	1/16W 4.7K	1	
		R51028	D0GA472JA023	1/16W 4.7K	1	
		R51032	D0GAR00J0005	1/16W 0	1	
		R51036	D0GA103JA023	1/16W 10K	1	
		R51041	D0GA101JA023	1/16W 100	1	
		R51043	D0GA101JA023	1/16W 100	1	
		R51044	D0GA103JA023	1/16W 10K	1	
		R52001	D1BA1000A023	1/16W 100	1	
		R52002	D1BA2400A023	1/16W 240	1	
		R52003	D1BA2700A023	1/16W 270	1	
		R52004	D1BA2700A023	1/16W 270	1	
		R52005	D1BA2700A023	1/16W 270	1	
		R52006	D1BA2700A023	1/16W 270	1	
		R52201	D1BA1000A023	1/16W 100	1	
		R52202	D1BA2400A023	1/16W 240	1	
		R52203	D1BA2700A023	1/16W 270	1	
		R52204	D1BA2700A023	1/16W 270	1	
		R54108	ERJ2GEJ103X	1/16W 10K	1	
		R55012	D0GA333JA023	1/16W 33K	1	
		R55017	D0GA202JA023	1/16W 2K	1	
		R55018	D0GA222JA023	1/16W 2.2K	1	
		R55020	D0GA103JA023	1/16W 10K	1	
		R55029	D0GA121JA023	1/16W 120	1	
		R55030	D0GA121JA023	1/16W 120	1	
		R55031	D0GA121JA023	1/16W 120	1	
		R55040	ERJ8RQFR39V	1/8W 39	1	
		R55041	ERJ8RQFR39V	1/8W 39	1	
		R55050	D0GA103JA023	1/16W 10K	1	
		R55051	D0GB913JA065	1/10W 91K	1	
		R55060	D0GA562JA023	1/16W 5.6K	1	
		R55061	D0GA103JA023	1/16W 10K	1	
		R55104	ERJ14YJ681U	1/4W 680	1	
		R55105	ERJ14YJ681U	1/4W 680	1	
		R55106	ERJ14YJ681U	1/4W 680	1	
		R55108	D0GA473JA023	1/16W 47K	1	
		R55109	D0GA103JA023	1/16W 10K	1	
		R55113	D0GA272JA023	1/16W 2.7K	1	
		R56301	D0GA273JA023	1/16W 27K	1	
		R56302	D0GA101JA023	1/16W 100	1	
		R56501	D0GA105JA023	1/16W 1000K	1	
		R56502	D0GA241JA023	1/16W 240	1	
		R56504	D0GA100JA023	1/16W 10	1	
		R56505	D0GA102JA023	1/16W 1K	1	
		R58110	D0GA103JA023	1/16W 10K	1	
		R58230	ERJ2RHD223X	1/16W 22K	1	
		R58231	ERJ2RHD272X	1/16W 2.7K	1	
		R58232	ERJ2RHD103X	1/16W 10K	1	
		R58233	D0GB220JA065	1/10W 22	1	
		R58330	ERJ2RHD223X	1/16W 22K	1	
		R58331	D0GAR00J0005	1/16W 0	1	
		R58332	ERJ2RHD223X	1/16W 22K	1	
		R58333	D0GB220JA065	1/10W 22	1	
		R58400	ERJ2RHD103X	1/16W 10K	1	
		R58401	ERJ2RHD472X	1/16W 4.7K	1	
		R58402	ERJ2RHD273X	1/16W 27K	1	
		R58501	ERJ2RHD333X	1/16W 33K	1	
		R58502	D0GA474JA023	1/16W 470K	1	
		R58510	ERJ2RHD152X	1/16W 1.5K	1	
		R58511	ERJ2RHD183X	1/16W 18K	1	
		R58512	D0GA474JA023	1/16W 470K	1	

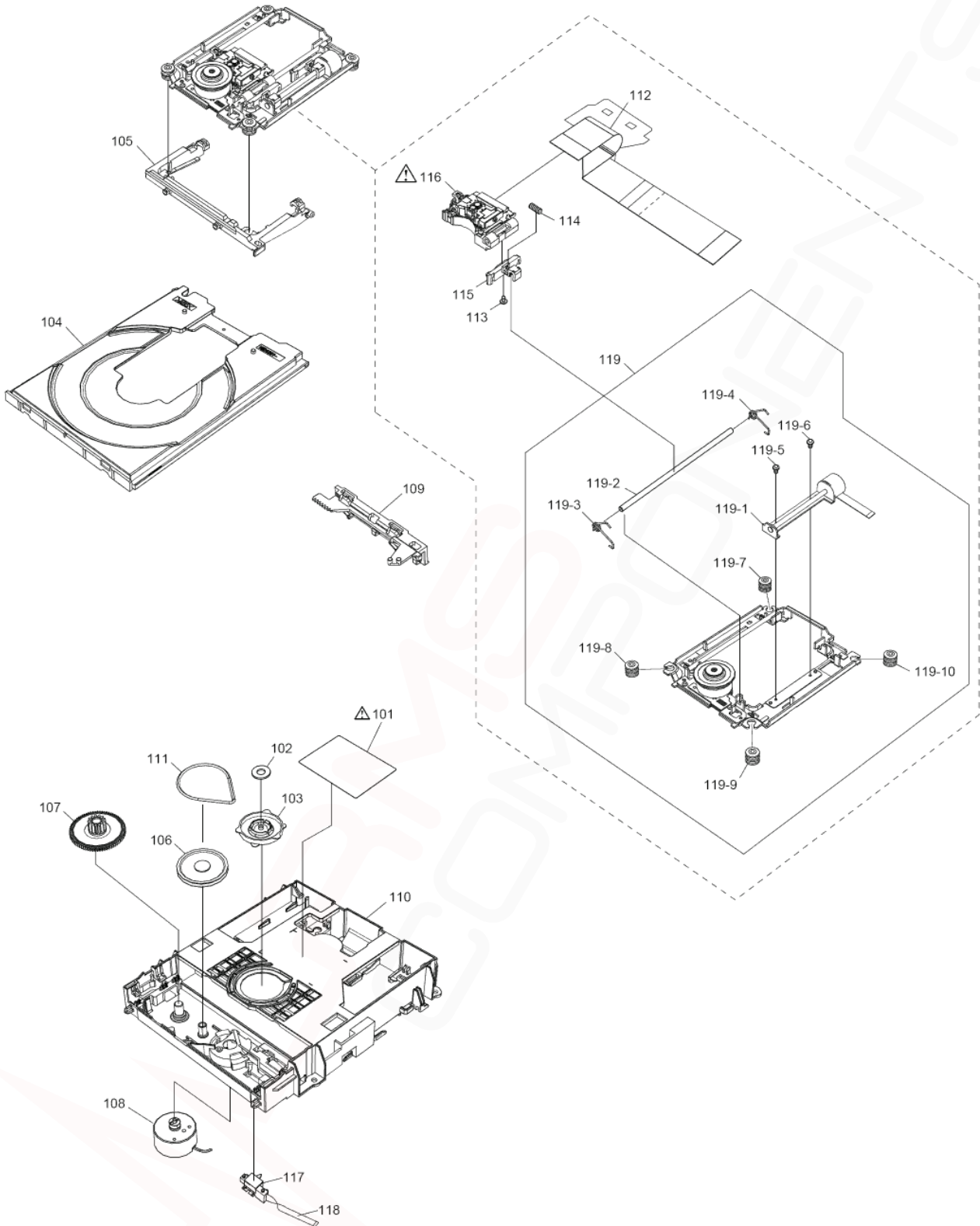
**Model No. : DMP-BD79GA/BD79GC/BD79GN/BD79GT/BD79GW/BD79PU/BD79PH Parts List**

Change	Safety	Ref. No.	Part No.	Part Name & Description	Q'ty	Remarks
		R59001	D0GA750JA023	1/16W 75	1	
		R59002	D0GA750JA023	1/16W 75	1	
		R59003	D0GA750JA023	1/16W 75	1	
		R59004	D0GA750JA023	1/16W 75	1	
		R59302	D0GA103JA023	1/16W 10K	1	
		R59311	D0GA103JA023	1/16W 10K	1	
		R59330	D0GA103JA023	1/16W 10K	1	
		R59331	D0GA103JA023	1/16W 10K	1	
		R59333	D0GA103JA023	1/16W 10K	1	
		RX51005	D1HY1034A012	RESISTOR-RESISTOR	1	
		RX51007	D1HY1034A012	RESISTOR-RESISTOR	1	
		RX51008	D1HY1034A012	RESISTOR-RESISTOR	1	
		RX51009	D1HY1034A012	RESISTOR-RESISTOR	1	
		RX51010	D1HY1034A012	RESISTOR-RESISTOR	1	
		RX55004	D1HY1034A012	RESISTOR-RESISTOR	1	
		RX55005	D1HY4734A012	RESISTOR-RESISTOR	1	
		RX55006	D1HY1024A024	RESISTOR-RESISTOR	1	
		RX56302	D1HY2024A024	RESISTOR-RESISTOR	1	
		RX58001	D1HY1014A022	RESISTOR-RESISTOR	1	
		RX58120	D1HY4734A012	RESISTOR-RESISTOR	1	
		T59001	G5BYC0000040	TRANSFORMER	1	
		T59301	EXC24CE900U	TRANSFORMER	1	
		T59302	EXC24CE900U	TRANSFORMER	1	
		X56501	H0J270500151	OSCILLATOR	1	

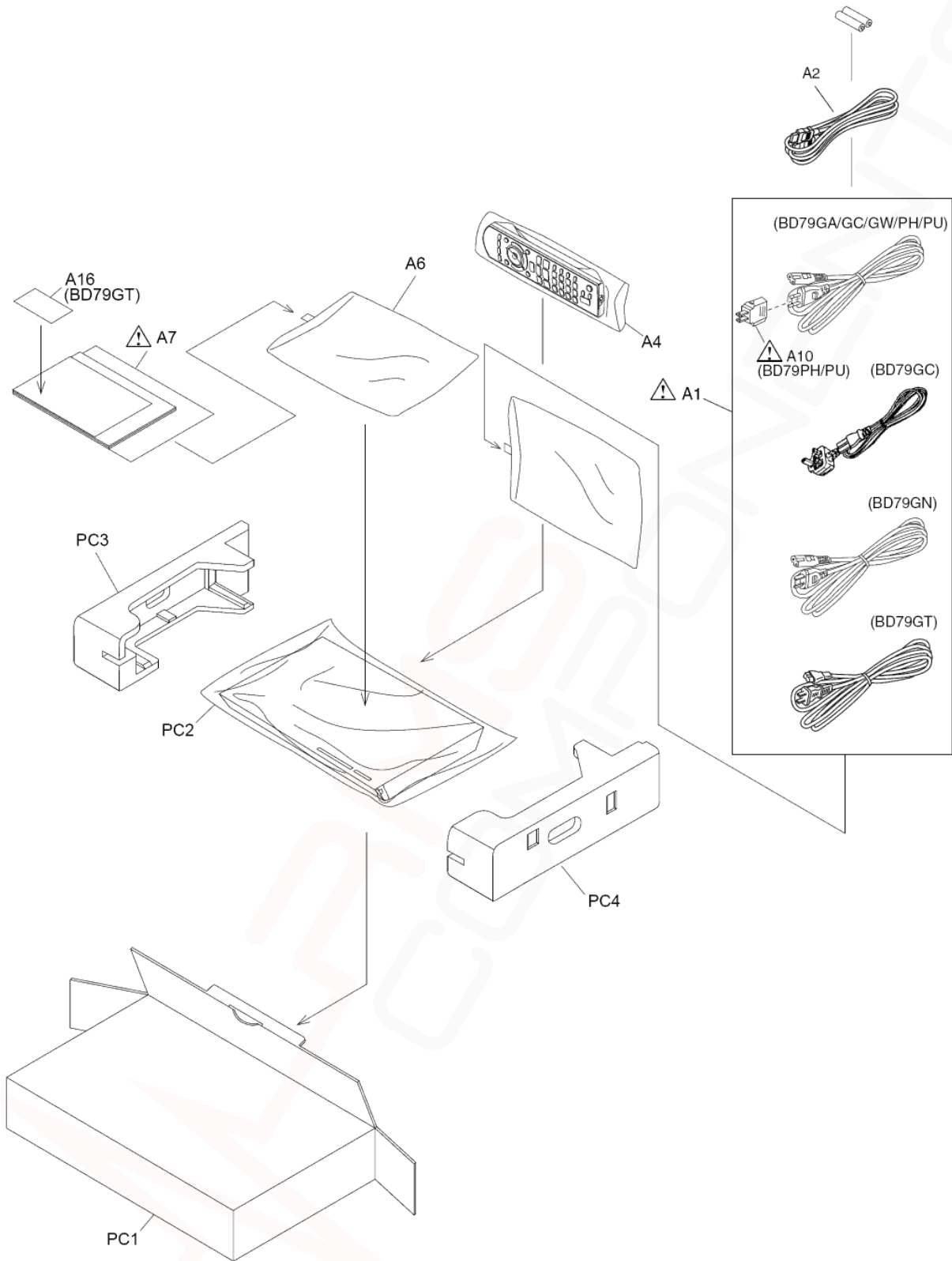
**Model No. : DMP-BD79GA/BD79GC/BD79GN/BD79GT/BD79GW/BD79PU/BD79PH**  
**Exploded View**



**Model No. : DMP-BD79GA/BD79GC/BD79GN/BD79GT/BD79GW/BD79PU/BD79PH**  
**Mechanism View**



**Model No. : DMP-BD79GA/BD79GC/BD79GN/BD79GT/BD79GW/BD79PU/BD79PH**  
**Packing View**



## Model No. : DMP-BD79GA/BD79GC/BD79GN/BD79GT/BD79GW/BD79PU/BD79PH Parts List

Change	Safety	Ref. No.	Part No.	Part Name & Description	Q'ty	Remarks
			■	CASING		
		1	VXY2171T	BD DRIVE	1	ADJ
	⚠	2	VEP71298V	POWER P.C.B.	1	(RTL) E.S.D. BD79GA
	⚠	2	VEP71298P	POWER P.C.B.	1	(RTL) E.S.D. BD79GC/GN/GW
	⚠	2	VEP71298K	POWER P.C.B.	1	(RTL) E.S.D. BD79GT
	⚠	2	VEP71298H	POWER P.C.B.	1	(RTL) E.S.D. BD79PH/PU
		3	RFKB76325KT	DIGITAL P.C.B.	1	E.S.D. ADJ BD79GA
		3	RFKB76325KCT	DIGITAL P.C.B.	1	E.S.D. ADJ BD79GC
		3	RFKB76325GT	DIGITAL P.C.B.	1	E.S.D. ADJ BD79GN
		3	RFKB76325KTT	DIGITAL P.C.B.	1	E.S.D. ADJ BD79GT
		3	RFKB76325KWT	DIGITAL P.C.B.	1	E.S.D. ADJ BD79GW
		3	RFKB76325KHT	DIGITAL P.C.B.	1	E.S.D. ADJ BD79PH
		3	RFKB76325KUT	DIGITAL P.C.B.	1	E.S.D. ADJ BD79PU
		6	RGK2481-K	TRAY DOOR PANEL	1	
	⚠	7	RGR0444A-F1	REAR PANEL	1	BD79GA
	⚠	7	RGR0444A-K1	REAR PANEL	1	BD79GC
	⚠	7	RGR0444A-E1	REAR PANEL	1	BD79GN
	⚠	7	RGR0444A-M1	REAR PANEL	1	BD79GT
	⚠	7	RGR0444A-N1	REAR PANEL	1	BD79GW
	⚠	7	RGR0444A-Q	REAR PANEL	1	BD79PH
	⚠	7	RGR0444A-J2	REAR PANEL	1	BD79PU
		9	RMZ1364	INSULATION SHEET	1	
		10	RSC0905	HEAT RADIATION PLATE	1	
		11	RKA0243-KU	FOOT RUBBER	1	
		12	RKA0243-KU	FOOT RUBBER	1	
		13	RKA0243-KU	FOOT RUBBER	1	
		14	RKA0243-KU	FOOT RUBBER	1	
		15	RGP1650A-K	FRONT PANEL	1	
		16	RGL0788-Q	LED SHEET	1	
		17	RGU2874-K	FUNCTION BUTTON	1	
		18	RKW1034-Q	IR WINDOW	1	
		19	RMV0422	SHADE SHEET	1	
	⚠	20	RKM0714-K	TOP CASE	1	
		31	RHD30119-U	SCREW	1	
		32	RHD30119-U	SCREW	1	
		33	RHD30119-U	SCREW	1	
		34	RHD30119-U	SCREW	1	
		35	RHD30168-J	SCREW	1	
		36	RHD30168-J	SCREW	1	
		37	RHD30168-J	SCREW	1	
		38	RHD30168-J	SCREW	1	
		39	RHD30168-J	SCREW	1	
		40	XSN3+4FJ	SCREW	1	
	⚠	101	VQL2P54	LASER CAUTION LABEL	1	
		102	VMA0V86	YOKE	1	
		103	VMD6392-J	CLAMPER	1	
		104	VMD6881	TRAY	1	
		105	VMD6580	MID BASE	1	
		106	VDG1756-1J	PULLEY GEAR	1	
		107	VDG1757-J	MID GEAR	1	
		108	VEM0896-J	LOADING MOTOR U	1	
		109	VMD6390-J	SLIDE CAM	1	
		110	VMD6882-1	MECHA CHASSIS	1	
		111	VMG1720	BELT	1	
		112	VWJ2400	PICKFFC	1	
		113	VHD2268	NUT PIECE SCREW	1	
		114	VMB4004-J	NUT PIECE SPRING	1	
		115	VMD6754	NUT PIECE	1	
	⚠	116	VXA9068-SER	OPU	1	ADJ
		117	K0L1CE000001	SWITCH	1	
		118	VWJ2304	SW FFC	1	
		119	VXA9067-SER	TRAVERSE UNIT	1	

**Model No. : DMP-BD79GA/BD79GC/BD79GN/BD79GT/BD79GW/BD79PU/BD79PH Parts List**

Change	Safety	Ref. No.	Part No.	Part Name & Description	Q'ty	Remarks
		119-1	L6KAYYYH0010	STEPPING MOTOR	1	
		119-2	VMS8126	SHAFT	1	
		119-3	VMB4682	SHAFT SPRING	1	
		119-4	VMB4682	SHAFT SPRING	1	
		119-5	XTN2+4FFJ	STEPPING MOTOR SCREW	1	
		119-6	XTN2+4FFJ	STEPPING MOTOR SCREW	1	
		119-7	VMG1966	DAMPER	1	
		119-8	VMG1966	DAMPER	1	
		119-9	VMG1966	DAMPER	1	
		119-10	VMG1966	DAMPER	1	
			■	ACCESSORY		
	⚠	A1	K2CQ2CA00007	AC CORD	1	BD79GA/GC/GW/PU/PH
	⚠	A1	K2CP2YY00061	AC CORD	1	BD79GA
	⚠	A1	K2CZ3YY00005	AC CORD	1	BD79GC
	⚠	A1	K2CJ2DA00014	AC CORD	1	BD79GN
	⚠	A1	K2CA2CA00027	AC CORD	1	BD79GT
		A2	K1HY19YY0011	HDMI CABLE	1	
		A4	N2QAYB000871	REMOTE CONTROL UNIT	1	BD79GA/GC/GN/GT/GW
		A4	N2QAYB000868	REMOTE CONTROL UNIT	1	BD79PH/PU
		A6	RPF0119-1	POLYETHYLENE BAG	1	
	⚠	A7	VQT4W89	OPERATING INSTRUCTIONS	1	(IA) BD79GA/GC/GN/GW
	⚠	A7	VQT4W88	OPERATING INSTRUCTIONS	1	(IB) BD79PH/PU
	⚠	A7	VQT4W90	OPERATING INSTRUCTIONS	1	(IC) BD79GA/GT
	⚠	A7	VQT4W91	OPERATING INSTRUCTIONS	1	(ID) BD79GC
	⚠	A10	K2DAYYY00002	POWER PLUG ADAPTOR	1	BD79PH/PU
		A16	RQLS0434	CHINESE LABEL SHEET	1	BD79GT
			■	PACKING		
		PC1	RYQ1266-Z	PACKING CASE	1	BD79GA
		PC1	RYQ1267-Z	PACKING CASE	1	BD79GC
		PC1	RYQ1269-Z	PACKING CASE	1	BD79GN
		PC1	RYQ1270-Z	PACKING CASE	1	BD79GT
		PC1	RYQ1271-Z	PACKING CASE	1	BD79GW
		PC1	RYQ1272-Z	PACKING CASE	1	BD79PH
		PC1	RYQ1273-Z	PACKING CASE	1	BD79PU
		PC2	RPF0662	POLYETHYLENE BAG	1	
		PC3	RPN2569A	CUSHION (A)	1	
		PC4	RPN2569B	CUSHION (B)	1	