

Service Manual

Blu-ray Disc Player

Model No. **DMP-BD75GA**
DMP-BD75GC
DMP-BD75GN
DMP-BD75GT
DMP-BD75GW
DMP-BD75PU

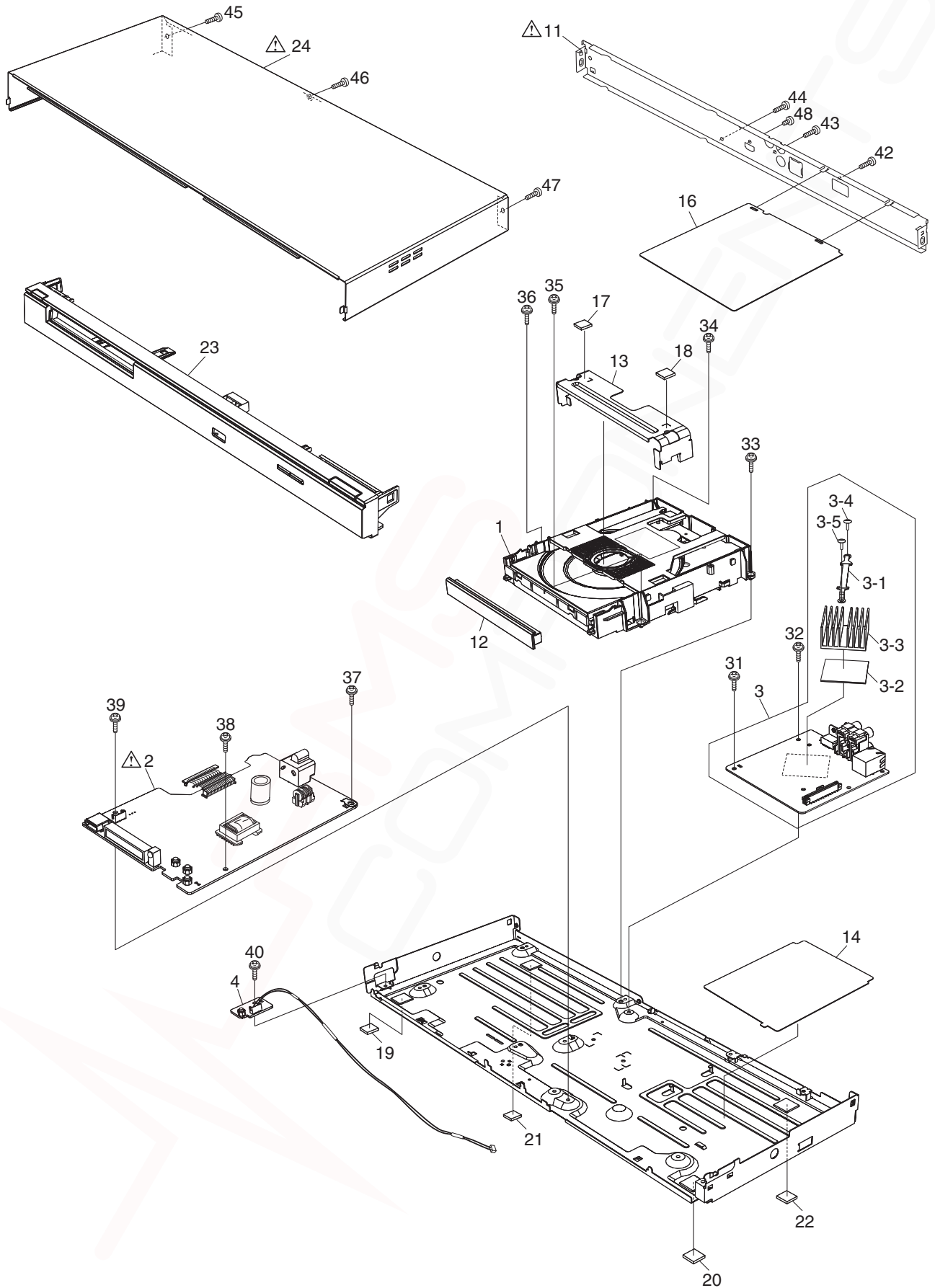


Vol. 1
Colour
(K).....Black Type

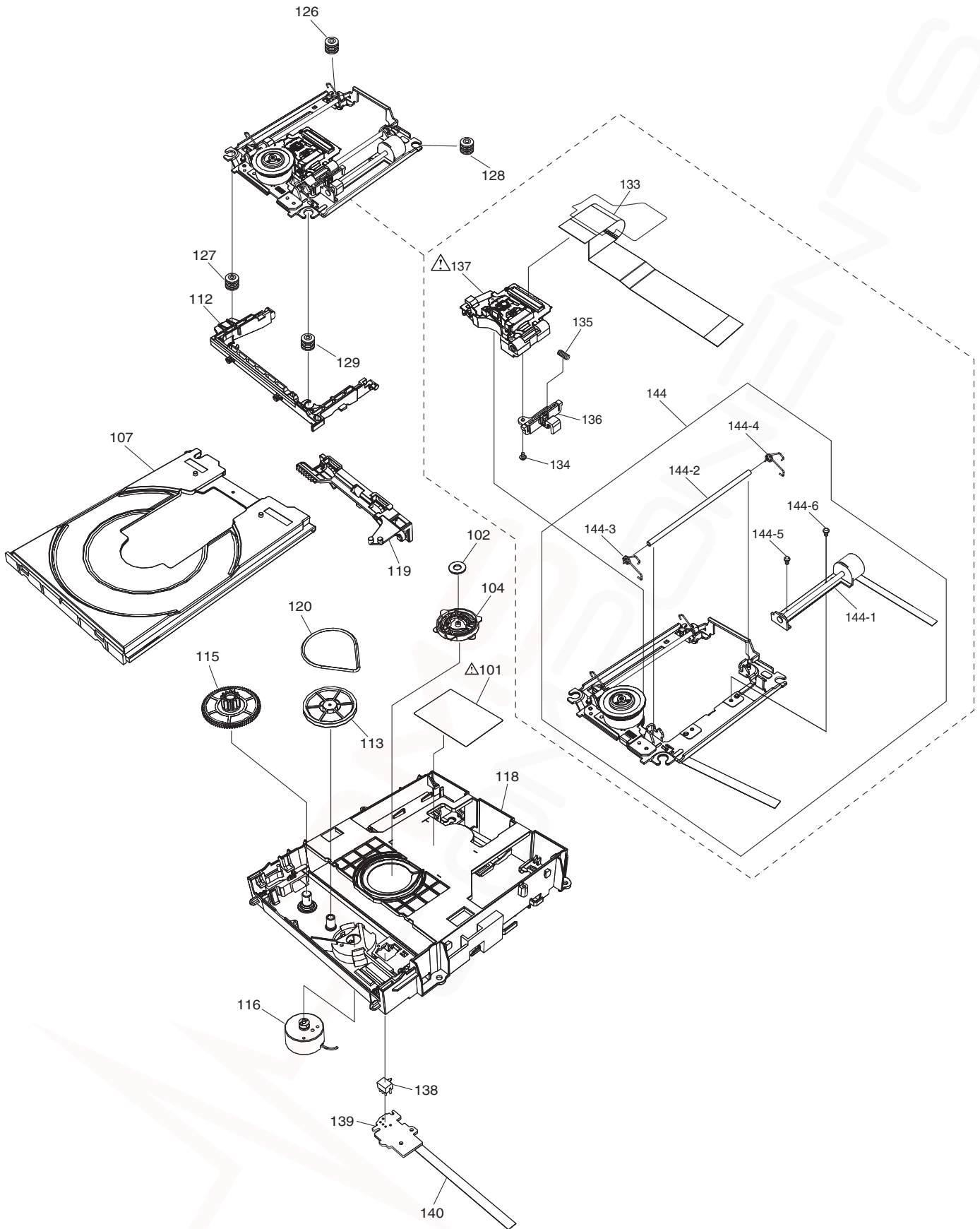
15 Exploded View and Replacement Parts List

15.1. Exploded Views

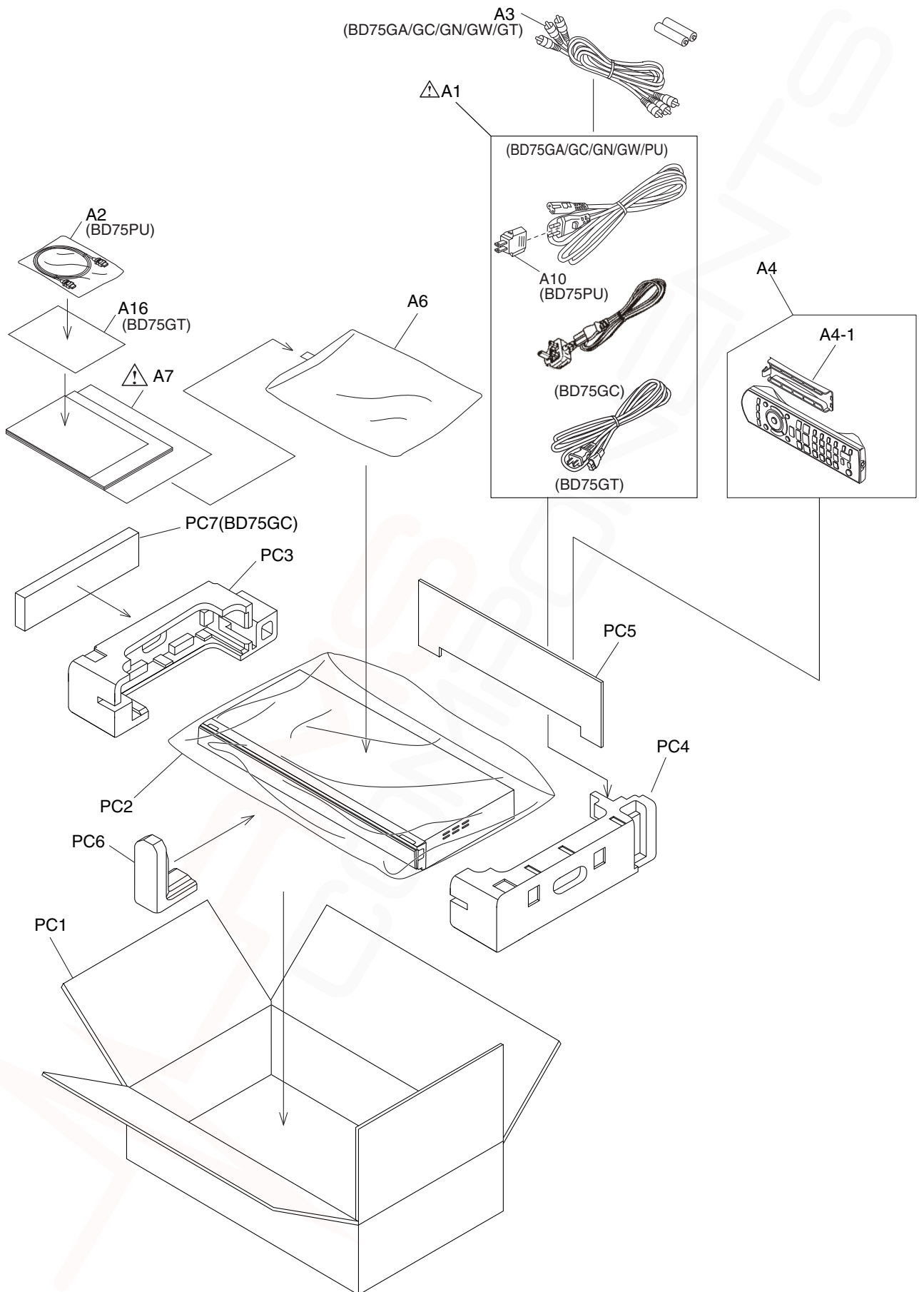
15.1.1. Casing Parts & Mechanism Section



15.1.2. Mechanism Section



15.1.3. Packing & Accessories Section



15.1.4. Mechanical Replacement Parts List

Notes:

*Important safety notice:

Components identified by \triangle mark have special characteristics important for safety.

Furthermore, special parts which have purposes of fire-retardant (resistors), high-quality sound (capacitors), low-noise (resistors), etc. are used.

When replacing any of components, be sure to use only manufacturer's specified parts shown in the parts list.

*Warning: This product uses a laser diode. Refer to caution statements.

*Capacity values are in microfarads (μ F) unless specified otherwise, P=Pico-farads (pF), F=Farads (F).

*Resistance values are in ohms, unless specified otherwise, 1K=1,000 (OHM), 1M=1,000k (OHM).

*The marking (RTL) indicates the retention time is limited for this item. After the discontinuation of this assembly in production, it will no longer be available.

**"(IA) - (IB)" marks in Remarks indicate languages of instruction manuals.

[(IA): Spanish ; (IB): Canadian French; (IC):Traditional Chinese; (ID):Traditional Chinese; (IE): Arabic]

*All parts are supplied by CHPAVC.

E.S.D.. standards for Electrostatically Sensitive Devices, refer to "PREVENTION OF ELECTROSTATIC DISCHARGE (ESD) TO ELECTROSTATICALLY SENSITIVE (ES) DEVICES" section.

Safety	Ref. No.	Part No.	Part Name & Description	Pcs	Remarks
			CASING		
	1	VXY2122T	BD DRIVE	1	
\triangle	2	VEP71202B	POWER P.C.B.	1	(RTL) E.S.D. BD75PU
\triangle	2	VEP71202C	POWER P.C.B.	1	(RTL) E.S.D. BD75GA/ GC/GN/ GW
\triangle	2	VEP71205A	POWER P.C.B.	1	(RTL) E.S.D. BD75GT
	3	RFBK76241CT	DIGITAL P.C.B.	1	E.S.D. BD75PU
	3	RFBK76241DAT	DIGITAL P.C.B.	1	E.S.D. BD75GA
	3	RFBK76241DCT	DIGITAL P.C.B.	1	E.S.D. BD75GC
	3	RFBK76241DWT	DIGITAL P.C.B.	1	E.S.D. BD75GW
	3	RFBK76241DNT	DIGITAL P.C.B.	1	E.S.D. BD75GN
	3	RFBK76241DTT	DIGITAL P.C.B.	1	E.S.D. BD75GT
	3-1	RMC0797	HEAT SINK ANGLE	1	
	3-2	RMQ1513	HEAT RADIATION PLATE	1	
	3-3	RMY0413	RADIATOR	1	
	3-4	VJF0036-A	SCREW	1	

	3-5	VJF0036-A	SCREW	1	
	4	VEP70390B	POWER SW P.C.B.	1	(RTL) E.S.D.
\triangle	11	RGR0414A-G1	REAR PANEL	1	BD75PU
\triangle	11	RGR0414A-D1	REAR PANEL	1	BD75GA
\triangle	11	RGR0414A-E1	REAR PANEL	1	BD75GC
\triangle	11	RGR0414A-J1	REAR PANEL	1	BD75GW
\triangle	11	RGR0414A-C1	REAR PANEL	1	BD75GN
\triangle	11	RGR0414A-H1	REAR PANEL	1	BD75GT
	12	RGK2250-K	TRAY PANEL	1	
	13	RMA2294	DRIVE SPACER	1	
	14	RMZ1199	BOTTOM CASE INSULATION SHEET	1	
	16	RMZ1155-1	TOP CASE INSULATION SHEET	1	
	17	RKA0251-K	FOOT RUBBER	1	
	18	RKA0251-K	FOOT RUBBER	1	
	19	RKA0243-KJ	FOOT RUBBER	1	
	20	RKA0243-KJ	FOOT RUBBER	1	
	21	RKA0243-KJ	FOOT RUBBER	1	
	22	RKA0243-KJ	FOOT RUBBER	1	
	23	RYP1627C-Q	FRONT PANEL ASS'Y	1	BD75PU
	23	RYP1627A-Q	FRONT PANEL ASS'Y	1	BD75GT
	23	RYP1627G-Q	FRONT PANEL ASS'Y	1	BD75GA/ GC/GN/ GW
\triangle	24	RKM0643-K	TOP CASE	1	
	31	RHD30168-J	SCREW	1	
	32	RHD30168-J	SCREW	1	
	33	RHD30168-J	SCREW	1	
	34	RHD30168-J	SCREW	1	
	35	RHD30168-J	SCREW	1	
	36	RHD30168-J	SCREW	1	
	37	RHD30168-J	SCREW	1	
	38	RHD30168-J	SCREW	1	
	39	RHD30168-J	SCREW	1	
	40	RHD30168-J	SCREW	1	
	42	RHD30119-L	SCREW	1	
	43	RHD30119-L	SCREW	1	
	44	RHD30119-L	SCREW	1	
	45	RHD30119-L	SCREW	1	
	46	RHD30119-L	SCREW	1	
	47	RHD30119-L	SCREW	1	
	48	XSN3+4FJ	SCREW	1	
	101	VQL1V70-J	LASER CAUTION LABEL	1	
	102	VMA0V86	YOKE	1	
	104	VMD6392	CLAMPER	1	
	107	VMD6391	TRAY	1	
	112	VMD6494	MID BASE	1	
	113	VDG1756-1	PULLEY GEAR	1	
	115	VDG1757	MID GEAR	1	
	116	VEM0885	LOADING MOTOR U	1	
	118	VMD6389-1	MECHA CHASSIS	1	
	119	VMD6390	SLIDE CAM	1	
	120	VMG1720	BELT	1	
	126	VMG1966	DAMPER	1	
	127	VMG1966	DAMPER	1	
	128	VMG1966	DAMPER	1	
	129	VMG1966	DAMPER	1	
	133	VWJ2222-1	OPU FFC	1	
	134	VHD2268	NUT PIECE SCREW	1	
	135	VMB4004-J	NUT PIECE SPRING	1	
	136	VMD6395	NUT PIECE	1	
\triangle	137	L1BBZ000006	OPTICAL PICK-UP	1	
	138	K0L1CB000004	LEVER SWITCH	1	
	139	VJB70396	SW P.C.B.	1	E.S.D.
	140	VWJ2228-J	SW FFC	1	
	144	VXA8900-SER	TRAVERSE UNIT (WITH-OUT OPU)	1	
	144-1	L6KAYYYH0006	STEPPING MOTOR	1	
	144-2	VMS8126	SHAFT	1	
	144-3	VMB4426	SHAFT SPRING	1	
	144-4	VMB4426	SHAFT SPRING	1	
	144-5	XTN2+4FFJ	STEPPING MOTOR SCREW	1	

	144-6	XTN2+4FFJ	STEPPING MOTOR SCREW	1	
	■		ACCESSORY		
△	A1	K2CQ2CA00007	AC CORD	1	BD75PU/GA/GC/GW
△	A1	K2CJ2DA00014	AC CORD	1	BD75GN
△	A1	K2CA2CA00027	AC CORD	1	BD75GT
△	A1	K2CP2CA00001	AC CORD	1	BD75GA
△	A1	K2CZ3YY00005	AC CORD	1	BD75GC
	A2	K1HA19DA0007	HDMI CABLE	1	BD75PU
	A3	K2KYYYY00048	AV CORD	1	BD75GA/GC/GN/GW/GT
	A4	N2QAYB000609	REMOTE CONTROL UNIT	1	BD75PU
	A4	N2QAYB000580	REMOTE CONTROL UNIT	1	BD75GA/GC/GW/GN/GT
	A4-1	110300031300	BATTERY COVER	1	
	A6	RPF0119-1	POLYETHYLENE BAG	1	
△	A7	VQT3B07	OPERATING INSTRUCTIONS	1	(IA) BD75PU
△	A7	VQT3B11	OPERATING INSTRUCTIONS	1	(IB) BD75GA/GC/GN/GW
△	A7	VQT3B14	OPERATING INSTRUCTIONS	1	(IC) BD75GT
△	A7	VQT3B12	OPERATING INSTRUCTIONS	1	(ID) BD75GA
△	A7	VQT3B13	OPERATING INSTRUCTIONS	1	(IE) BD75GC
△	A10	K2DAYYY00002	POWER PLUG ADAPTOR	1	BD75PU
	A16	RQLS0405	CHINESE LABEL SHEET	1	BD75GT
	■		PACKING		
	PC1	RPG9434	PACKING CASE	1	BD75GA
	PC1	RPG9435	PACKING CASE	1	BD75GC
	PC1	RPG9433	PACKING CASE	1	BD75GN
	PC1	RPG9438	PACKING CASE	1	BD75GW
	PC1	RPG9437	PACKING CASE	1	BD75GT
	PC1	RPG9432-1	PACKING CASE	1	BD75PU
	PC2	RPF0536	POLYETHYLENE BAG	1	
	PC3	RPN2248A-1	CUSHION (A)	1	
	PC4	RPN2248B-1	CUSHION (B)	1	
	PC5	RPQ2772	PAD	1	
	PC6	RPN2313	FRONT CUSHION	1	BD75GA/GC/GN/GW
	PC7	RPQ2799	PAD	1	BD75GC

15.2. Electrical Replacement Parts List

Notes:

- *Important safety notice: Components identified by Δ mark have special characteristics important for safety. Furthermore, special parts which have purposes of fire-retardant (resistors), high-quality sound (capacitors), low-noise (resistors), etc. are used.
- When replacing any of components, be sure to use only manufacturer's specified parts shown in the parts list.
- *Warning: This product uses a laser diode. Refer to caution statements.
- *Capacity values are in microfarads (μ F) unless specified otherwise, P=Pico-farads (pF), F=Farads (F).
- *Resistance values are in ohms, unless specified otherwise, 1K=1,000 (OHM), 1M=1,000k (OHM).
- *The marking (RTL) indicates the retention time is limited for this item. After the discontinuation of this assembly in production, it will no longer be available.
- *All parts are supplied by CHPAVC.

E.S.D.. standards for Electrostatically Sensitive Devices, refer to "PREVENTION OF ELECTROSTATIC DISCHARGE (ESD) TO ELECTROSTATICALLY SENSITIVE (ES) DEVICES" section.

Safety	Ref. No.	Part No.	Part Name & Description	Pcs	Remarks
		VEP71202B	POWER P.C.B.		(RTL) E.S.D. BD75PU
		VEP71202C	POWER P.C.B.		(RTL) E.S.D. BD75GA/ GC/GN/ GW
		VEP71205A	POWER P.C.B.		(RTL) E.S.D. BD75GT
Δ	C1001	F0CAF683A021	250V 0.068U	1	
Δ	C1005	F1BAF1020020	1000P	1	BD75GT
Δ	C1005	F1B2G4710001	100V 470U	1	BD75PU/ GA/GC/ GN/GW
Δ	C1006	F1BAF1020020	1000P	1	BD75GT
Δ	C1006	F1B2G4710001	100V 470U	1	BD75PU/ GA/GC/ GN/GW
Δ	C1007	F0CAF223A021	250V 0.022U	1	
	C1014	F2B2E1010003	250V 100U	1	BD75GT
	C1014	F2A2G8200002	40V 82U	1	BD75PU
	C1015	F2B2W3900003	450V 39U	1	BD75GA/ GC/GN/ GW
Δ	C1018	F1BAF1020020	1000P	1	
	C1021	F1A3D470A010	2000V 47P	1	
	C1022	F2A1H2200055	50V 22U	1	
	C1024	F1H1H472A013	50V 4700P	1	
	C1114	F1H1C104A071	16V 0.1U	1	
	C1118	F2A1C1520021	16V 1500U	1	
	C1121	F2A1A1020072	10V 1000U	1	BD75GA/ GC/GN/ GW/GT
	C1124	F1H1C104A071	16V 0.1U	1	
	C1125	F2A1C4710079	16V 470U	1	
	C1130	F2A1A5610008	10V 560U	1	BD75GA/ GC/GN/ GW/GT
	C14301	F2A1E2210067	25V 220U	1	BD75PU

Safety	Ref. No.	Part No.	Part Name & Description	Pcs	Remarks
	C14302	F1J1C105A091	16V 1U	1	BD75PU
	C14303	F1H1C104A071	16V 0.1U	1	BD75PU
	C14304	F1H1C104A071	16V 0.1U	1	BD75PU
	C14305	F1H1H181A004	50V 18P	1	BD75PU
	C14306	F1K1C106A062	16V 10U	1	BD75PU
	C14307	F1H1H103A748	50V 0.01U	1	BD75PU
	C14308	F2A1C8210008	16V 820U	1	BD75PU
	C14309	F1H1A105A028	10V 1U	1	BD75PU
	C14501	F1H1H222A013	50V 2200P	1	
	C14502	F1H1C104A071	16V 0.1U	1	
	C14503	F1J1C1060001	16V 10U	1	
	C14504	F1J1C1060001	16V 10U	1	
	C14505	F1H1E223A002	25V 0.022U	1	
	C14506	F1J0J106A014	6.3V 10U	1	
	C14507	F1J0J106A014	6.3V 10U	1	
	C14509	F1H1H222A013	50V 2200P	1	
	C7002	F1H1A105A028	10V 1U	1	
	C7004	F1H1C104A071	16V 0.1U	1	
	D1006	B0EDKT000009	DIODE	1	E.S.D.
	D1021	B0BC01700005	DIODE	1	E.S.D.
	D1022	B0ADM000003	DIODE	1	E.S.D.
	D1023	B0BA01700031	DIODE	1	E.S.D.
	D1031	B0BB20000004	DIODE	1	E.S.D. BD75PU/ GA/GC/ GN/GW
	D1110	B0JARL000004	DIODE	1	E.S.D. BD75GA/ GC/GN/ GW/GT
	D1111	B0JARG000017	DIODE	1	E.S.D. BD75GA/ GC/GN/ GW/GT
	D1112	B0JBRL000003	DIODE	1	E.S.D. BD75PU
	D14301	B0JCND000021	DIODE	1	E.S.D. BD75PU
	D14500	B0JCND000021	DIODE	1	E.S.D.
	D7001	B3CBZ0000003	DIODE	1	E.S.D.
Δ	F1001	K5G202Y00006	FUSE	1	
	IC1021	C0DACYY00009	IC	1	E.S.D.
	IC1102	C0DBZMC00006	IC	1	E.S.D.
	IC14301	C0DBAZZ00132	IC	1	E.S.D. BD75PU
	IC14500	C0DBAYY00462	IC	1	E.S.D.
	IC7001	C0HBZ0000108	IC	1	E.S.D.
Δ	IP1021	K5H2022A0011	IC PROTECTOR	1	
	IR7001	PNJ4881M02VT	REMOTE SENSOR	1	
Δ	L1001	G0B233D00005	COIL 23000UH	1	
	L1103	G0A100ZA0045	COIL 10UH	1	
	L1105	G0A100ZA0045	COIL 10UH	1	BD75GA/ GC/GN/ GW/GT
	L14302	G0A100ZA0045	COIL 10UH	1	BD75PU
	L14500	G0A100ZA0045	COIL 10UH	1	
	LB1101	J0JGC0000020	COIL	1	BD75GA/ GC/GN/ GW
	LB1101	ERJ3GEY0R00V	COIL	1	BD75PU
	LB1102	J0JYC0000109	COIL	1	BD75GA/ GC/GN/ GW
	LB1102	ERJ6GEY0R00V	COIL	1	BD75PU
Δ	P1001	K2AA2B000011	AC JACK	1	
	P1102	K1KY23AA0606	CONNECTOR (23P)	1	
	P1103	K1FY104BA073	JACK USB	1	
	P7004	K1KA03AA0180	CONNECTOR (3P)	1	

Safety	Ref. No.	Part No.	Part Name & Description	Pcs	Remarks
△	Q1022	B3PBA0000454	TRANSISTOR	1	E.S.D.
	Q14301	B1CHRD000024	TRANSISTOR	1	E.S.D. BD75PU
△	R1006	D0BF685JA030	1/2 6.8M	1	BD75PU/ GA/GC/ GN/GW
	R1021	D0GZR27JA027	1/2W 0.27	1	BD75GT
	R1021	D0GZR47JA027	1/2W 0.47	1	BD75GA/ GC/GN/ GW
	R1021	D0GZR24JA027	1/2W 0.24	1	BD75PU
	R1022	D0GZR27JA027	1/2W 0.27	1	BD75GT
	R1022	D0GZR47JA027	1/2W 0.47	1	BD75GA/ GC/GN/ GW
	R1022	D0GZR24JA027	1/2W 0.24	1	BD75PU
	R1030	ERJ6GEYJ100V	1/10W 10	1	
	R1031	ERJ6GEYJ100V	1/10W 10	1	
	R1032	ERDS2TJ221T	1/4W 220	1	
	R1101	ERJ3GEYJ222V	1/10W 2.2K	1	BD75PU
	R1111	ERJ3GEYJ102V	1/10W 1K	1	
	R1112	ERJ3GEYJ102V	1/10W 1K	1	BD75GT
	R1112	ERJ3GEYJ222V	1/10W 2.2K	1	BD75GA/ GC/GN/ GW
	R1112	ERJ3GEY0R00V	1/10W 0	1	BD75PU
	R1113	ERJ3GEYJ103V	1/10W 10K	1	
	R1115	ERJ3RBD222V	1/16W 2.2K	1	BD75GA/ GC/GN/ GW/GT
	R1115	ERJ3RBD473V	1/16W 47K	1	BD75PU
	R1116	ERJ3GEYJ222V	1/10W 2.2K	1	
	R1117	ERJ3RBD123V	1/16W 12K	1	BD75GA/ GC/GN/ GW/GT
	R1117	ERJ3RED184V	1/16W 180K	1	BD75PU
	R1119	ERJ3RBD123V	1/16W 12K	1	BD75GA/ GC/GN/ GW/GT
	R1121	ERJ3RBD101V	1/16W 100	1	BD75GA/ GC/GN/ GW/GT
	R1121	ERJ3GEY0R00V	1/10W 0	1	BD75PU
	R14302	ERJ3GEYJ513V	1/10W 51K	1	BD75PU
	R14303	D1BDR033A135	1/8W 0.033	1	BD75PU
	R14304	ERJ3RBD223V	1/16W 22K	1	BD75PU
	R14305	ERJ3RBD823V	1/16W 82K	1	BD75PU
	R14306	ERJ3RBD273V	1/16W 27K	1	BD75PU
	R14500	ERJ3GEYJ103V	1/10W 10K	1	
	R14501	ERJ6GEYJ680V	1/10W 68	1	
	R14502	ERJ3RED105V	1/16W 1M	1	
	R14503	ERJ3RBD393V	1/16W 39K	1	
	R14504	ERJ3RBD123V	1/16W 12K	1	
	R7005	ERJ3GEYJ330V	1/10W 33	1	
	R7009	ERJ3GEYJ513V	1/10W 51K	1	
	S7001	EVQ11A05R	SWITCH (OPEN/CLOSE)	1	
	S7002	EVQ11A05R	SWITCH (PLAY)	1	
	S7003	EVQ11A05R	SWITCH (STOP)	1	
△	T1001	G4DYA0000266	TRANSFORMER	1	BD75GT
△	T1001	G4DYA0000274	TRANSFORMER	1	BD75GA/ GC/GN/ GW
△	T1001	G4DYA0000291	TRANSFORMER	1	BD75PU
△	VA1001	ERZV05Z471CS	VARISTOR	1	BD75GA/ GC/GN/ GW/GT
△	VA1001	ERZV10D471C2	VARISTOR	1	BD75PU
	ZA1001	K9ZZ00001279	EARTH PLATE	1	
	ZA1005	K9ZZ00001279	EARTH PLATE	1	
	ZA1112	VSC6325	EARTH PLATE	1	BD75PU
	ZA1113	XYN3+J8FJ	EARTH PLATE	1	BD75PU

Safety	Ref. No.	Part No.	Part Name & Description	Pcs	Remarks
		VEP70390B	POWER SW P.C.B.		(RTL) E.S.D.
	S7551	EVQ11A05R	SWITCH (POWER)	1	
	PJ7551	VEE1J93	WIRE	1	