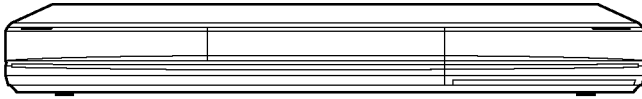


Service Manual

Blu-ray Disc Player

Model No. **DMP-BD35GN**
DMP-BD35GT



**Notes: These model's BDP/Digital P.C.B. Module are - RFKNBD35GN
- RFKNBD35GT.**

Vol. 1
Colour
(K).....Black Type

Caution:

Pairing of BD Drive and Digital P.C.B. as "BDP/ Digital P.C.B. Module" have to be replaced together. If the either BD drive or Digital P.C.B. is changed, BD Drive unit has to be re-aligned. Because the alignment data for BD Drive Unit is stored in Digital P.C.B..

Java and all Java-based trademarks and logos are trademarks or registered trademarks of Sun Microsystems, Inc. in the United States and other countries.
Manufactured under license from Dolby Laboratories. Dolby and the double-D symbol are trademarks of Dolby Laboratories.
Manufactured under license under U.S. Patent #'s: 5,451,942; 5,956,674; 5,974,380; 5,978,762; 6,226,616; 6,487,535 & other U.S. and worldwide patents issued & pending. DTS is a registered trademark and the DTS logos, Symbol, DTS-HD and DTS-HD Master Audio Essential are trademarks of DTS, Inc. © 1996-2008 DTS, Inc. All Rights Reserved.
U.S. Patent Nos. 6,836,549; 6,381,747; 7,050,698; 6,516,132; and 5,583,936.
This product incorporates copyright protection technology that is protected by U.S. patents and other intellectual property rights. Use of this copyright protection technology must be authorized by Macrovision, and is intended for home and other limited viewing uses only unless otherwise authorized by Macrovision. Reverse engineering or disassembly is prohibited.
HDMI, the HDMI logo and High-Definition Multimedia Interface are trademarks or registered trademarks of HDMI Licensing LLC.
This product is licensed under the AVC patent portfolio license and VC-1 patent portfolio license for the personal and non-commercial use of a consumer to (i) encode video in compliance with the AVC Standard and VC-1 Standard ("AVC/VC-1 Video") and/or (ii) decode AVC/VC-1 Video that was encoded by a consumer engaged in a personal and non-commercial activity and/or was obtained from a video provider licensed to provide AVC/VC-1 Video. No license is granted or shall be implied for any other use. Additional information may be obtained from MPEG LA, LLC. See http://www.mpegla.com .
HDAVI Control™ is a trademark of Panasonic Corporation.
"AVCHD" and the "AVCHD" logo are trademarks of Panasonic Corporation and Sony Corporation.
SDHC Logo is a trademark.
Portions of this product are protected under copyright law and are provided under license by ARIS/SOLANA/4C.
x.v.Colour™ is a trademark.
"Blu-ray Disc" is trademark.
"BD-LIVE" logo is trademark of Blu-ray Disc Association.
"BONUSVIEW" is trademark of Blu-ray Disc Association.

⚠ WARNING

This service information is designed for experienced repair technicians only and is not designed for use by the general public. It does not contain warnings or cautions to advise non-technical individuals of potential dangers in attempting to service a product. Products powered by electricity should be serviced or repaired only by experienced professional technicians. Any attempt to service or repair the product or products dealt with in this service information by anyone else could result in serious injury or death.

DMP-BD35GN-K

Ref.No.	Part No.	Part Name & Description	Pcs	Remarks
##	VEP71144C	POWER P.C.B.		(RTL)(GN)
##	VEP71144D	POWER P.C.B.		(RTL)(GT)
△ C1001	ECQU2A683MLC	0.068U	1	
△ C1005	F1B2G1020002	1000P	1	
△ C1006	F1B2G1020002	1000P	1	
△ C1007	ECQU2A223MLC	0.022U	1	
C1014	F2B2E1510004	250V 150U	1	(GT)
C1014	F2B2W4700003	450V 47U	1	(GN)
C1018	ECKWNA102MEV	1000P	1	(GN)
△ C1018	F1B2G1020002	1000P	1	(GT)
△ C1019	ECKWNA102MEV	1000P	1	(GN)
C1021	F1A3D221A010	2KV 220P	1	(GN)
C1021	F1B3A182A009	250V 1800P	1	(GT)
C1023	ECJ1VB1H102K	50V 1000P	1	
C1024	ECJ1VC1H101J	50V 100P	1	
C1025	F2A1V6800002	35V 68U	1	
C1026	ECJ1VB1H102K	50V 1000P	1	(GN)
C1026	F1H1H222A798	50V 2200P	1	(GT)
C1027	ECJ1VB1H102K	50V 1000P	1	
C1028	F2A1E100A210	25V 10P	1	
C1029	ERJ3GEY0R00V	1/10W 0	1	
C1113	F1H1C105A095	16V 1U	1	
C1114	F1H1C104A071	16V 0.1U	1	
C1117	F1H1C105A095	16V 1U	1	
C1118	F2A1C1820005	16V 1800U	1	
C1120	ECJ1VB1H103K	50V 0.01U	1	
C1121	F2A1C1820005	16V 1800U	1	
C1122	F2A1A5600003	10V 56U	1	
C1123	F2A1H1010044	50V 100U	1	
C1124	F1H1C104A071	16V 0.1U	1	
C1125	F2A1C102A236	16V 1000U	1	
C1126	ECJ1VF1E104Z	25V 0.1U	1	
C1127	F2A1H220A234	50V 22U	1	
C1128	F1H1A105A028	10V 1U	1	
C1132	F2A1E1010099	25V 100P	1	
C1133	F2A1C4710079	16V 470U	1	
C1135	F1H1C104A071	16V 0.1U	1	
C1136	F1H1C104A071	16V 0.1U	1	
C1138	F1H1C104A071	16V 0.1U	1	
C1140	ECJ1VC1H181J	50V 180P	1	
C1141	F2A1A470A388	10V 47U	1	
C1143	F2A1A101A389	10V 100U	1	
C1146	ECJ1VB1H103K	50V 0.01U	1	
C1150	F2A1A6810022	10V 680U	1	
C1151	F1H1C104A071	16V 0.1U	1	
C7001	ECJ1VB1H103K	50V 0.01U	1	
C7002	F1H1A105A028	10V 1U	1	
C7003	F1H1A105A028	10V 1U	1	
C7004	F1H1C104A071	16V 0.1U	1	
C7005	ECJ1VF1H104Z	50V 0.1U	1	
C7006	F1H1C104A071	16V 0.1U	1	
D1006	B0EDKT000009	DIODE	1	
D1021	MAZ73000BC	DIODE	1	
D1022	MAZ1110GL	DIODE	1	
D1023	MAZ73000BC	DIODE	1	
D1025	MAZ41600MF	DIODE	1	
D1026	B0JAML000011	DIODE	1	(GN)
D1026	MA2C165001VT	DIODE	1	(GT)
D1027	B0HAGM000006	DIODE	1	
D1029	MAZ41200MF	DIODE	1	
D1031	B0BB17000004	DIODE	1	(GN)
D1107	B0AADM000003	DIODE	1	
D1108	B0JAME000025	DIODE	1	
D1110	B0JBSG000054	DIODE	1	(GT)
D1110	B0JBSL000002	DIODE	1	(GN)
D1113	MAZ42200LF	DIODE	1	
D1122	B0JCPD000021	DIODE	1	
D1123	B0JCPD000021	DIODE	1	
D1127	MAZ73000BC	DIODE	1	
D1128	MAZ41000MF	DIODE	1	
D7001	MAZ41800MF	DIODE	1	
DP7001	A2BD00000188	DISPLAY TUBE	1	

Ref.No.	Part No.	Part Name & Description	Pcs	Remarks
△ F1001	K5D202BK0005	FUSE	1	
IC1021	C0DACZ000037	IC	1	(GT)
IC1021	C0DACZ000038	IC	1	(GN)
IC1101	C0DAEY000022	IC	1	
IC1102	C0CBCAD000092	IC	1	
IC1103	C0DBAZ00132	IC	1	
IC1104	C0DAEY000002	IC	1	
IC7001	C0HBB0000057	IC	1	
IC7002	C0CBCBD000008	IC	1	
△ IP1101	K5H122Z00003	IC PROTECTOR	1	
△ IP1102	K5H102Z00006	IC PROTECTOR	1	
K7004	ERJ3GEY0R00V	1/10W 0	1	
△ L1001	G0B233D00001	COIL	1	
△ L1002	G0B123E00001	COIL	1	(GT)
L1002	G0B233D00001	COIL	1	(GN)
L1103	G0A100H00025	COIL 10UH	1	
L1104	G0A100HA0023	COIL 10UH	1	
L1105	G0A150ZA0041	COIL 15UH	1	
LB1021	J0JKB0000003	COIL	1	
LB1103	J0JHC0000048	FILTER	1	
LB1104	J0JHC0000048	FILTER	1	
LB1107	J0JHC0000048	FILTER	1	
LB7001	ERJ6GEY0R00V	1/8W 0	1	
LB7002	ERJ6GEY0R00V	1/8W 0	1	
LB7003	ERJ6GEY0R00V	1/8W 0	1	
△ P1001	K2AA2H000007	AC INLET	1	
P1102	K1KA15AA0185	CONNECTOR(15P)	1	
P7001	K1KB06B000033	CONNECTOR(6P)	1	
P7003	K1KA03AA0180	CONNECTOR(3P)	1	
P7004	K1KA04AA0180	CONNECTOR(4P)	1	
P7005	K1MP02A00002	CONNECTOR(2P)	1	
△ Q1022	B3PBA0000454	TRANSISTOR	1	
△ Q1023	B3PBA0000454	TRANSISTOR	1	
Q1101	2SA1309ARA	TRANSISTOR	1	
Q1102	B1DHED000008	TRANSISTOR	1	
Q1104	B1DHED000008	TRANSISTOR	1	
Q1107	2SC311ASA	TRANSISTOR	1	
Q7001	2SB0710A0L	TRANSISTOR	1	
Q7003	B1ABGC000011	TRANSISTOR	1	
QR1101	UNR5212J0L	TRANSISTOR	1	
QR1102	UNR5213J0L	TRANSISTOR	1	
QR1105	UNR5212J0L	TRANSISTOR	1	
QR7001	UNR5213J0L	TRANSISTOR	1	
QR7003	UNR5113J0L	TRANSISTOR	1	
QR7004	UNR5213J0L	TRANSISTOR	1	
R1023	ERJ3GEYJ103V	1/10W 10K	1	(GT)
R1023	ERJ3GEYJ153V	1/10W 15K	1	(GN)
R1024	ERJ3RBD123V	1/16W 12K	1	
R1025	ERJ3RBD102V	1/16W 1K	1	(GN)
R1025	ERJ3RBD222V	1/16W 2.2K	1	(GT)
R1026	ERDS2TJ221T	1/4W 220	1	
R1028	ERJ3GEYJ100V	1/10W 10	1	
R1029	ERJ3GEYJ100V	1/10W 10	1	
R1030	ERJ3GEYJ152V	1/10W 1.5K	1	(GN)
R1030	ERJ3GEYJ752V	1/10W 7.5K	1	(GT)
R1031	ERJ3GEYJ224V	1/10W 220K	1	
R1032	ERJ3RBD163V	1/16W 16K	1	(GN)
R1032	ERJ3RBD392V	1/16W 3.9K	1	(GT)
R1033	ERJ3RBD163V	1/16W 16K	1	(GN)
R1033	ERJ3RBD562V	1/16W 5.6K	1	(GT)
R1034	ERJ3RBD123V	1/16W 12K	1	(GT)
R1034	ERJ3RBD153V	1/16W 15K	1	(GN)
R1035	ERJ3RBD102V	1/16W 1K	1	(GN)
R1035	ERJ3RBD332V	1/16W 3.3K	1	(GT)
R1104	ERJ3GEYJ472V	1/10W 4.7K	1	
R1111	ERJ3GEYJ102V	1/10W 1K	1	
R1112	ERJ3GEYJ222V	1/10W 2.2K	1	
R1113	ERJ3GEYJ103V	1/10W 10K	1	

DMP-BD35GN-K

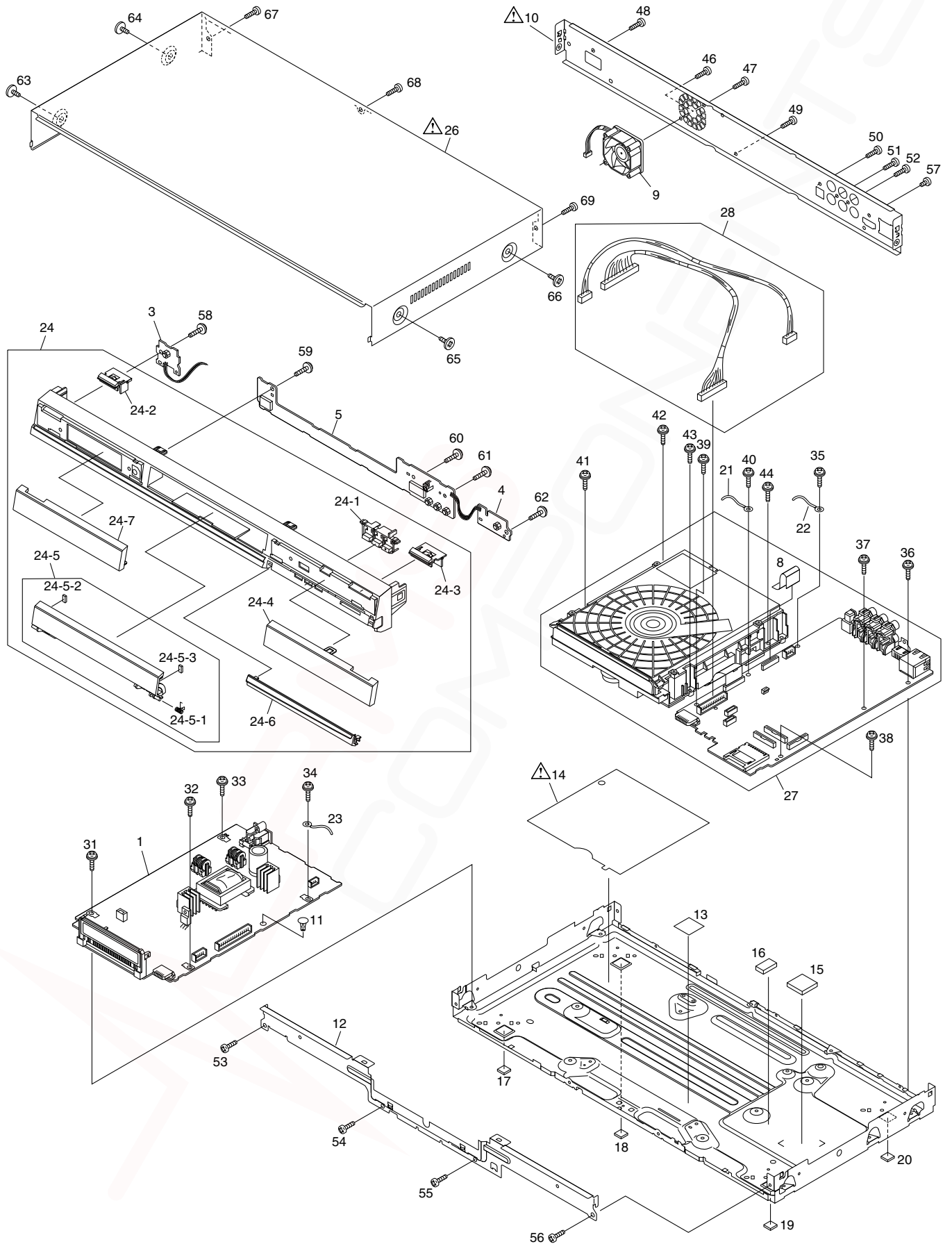
Ref.No.	Part No.	Part Name & Description	Pcs	Remarks	Ref.No.	Part No.	Part Name & Description	Pcs	Remarks
R1115	ERJ3RBD242V	1/16W 2.4K	1						
R1116	ERJ3GEYJ222V	1/10W 2.2K	1		S7202	EVQ11A04M	SWITCH,	1	
R1117	ERDS2TJ101T	1/4W 100	1		S7204	EVQ11A04M	SWITCH,	1	
R1118	ERJ3RBD301V	1/16W 300	1		S7206	EVQ11A04M	SWITCH,	1	
R1119	ERJ3RBD912V	1/16W 9.1K	1						
R1120	ERJ3GEYJ472V	1/10W 4.7K	1		W51	ERJ3GEY0R00V	1/10W 0	1	
R1121	ERJ3GEYJ223V	1/10W 22K	1		W52	ERJ3GEY0R00V	1/10W 0	1	
R1123	ERJ3GEYJ223V	1/10W 22K	1		W53	ERJ3GEY0R00V	1/10W 0	1	
R1129	ERJ3GEYJ513V	1/10W 51K	1		W55	ERJ3GEY0R00V	1/10W 0	1	
R1130	D1BDR027A101	2W 0.027U	1		W56	ERJ6GEY0R00V	1/8W 0	1	
R1136	ERJ3RBD152V	1/16W 1.5K	1						
R1137	ERJ3RBD393V	1/16W 39K	1						
R1138	ERJ3RBD113V	1/16W 11K	1		##	VEP70261A	POWER SW P.C.B.		(RTL)
R1141	ERJ3RBD222V	1/16W 2.2K	1		PJ7551	REZ1890-1	WIRE	1	
R1142	ERJ3RBD822V	1/16W 8.2K	1						
R1143	ERJ3RBD272V	1/16W 2.7K	1		S7551	EVQ11A04M	SWITCH,	1	
R1146	ERJ6GEY0R00V	1/8W 0	1						
R1161	ERDS2TJ821T	1/4W 820	1						
R1162	ERDS2TJ821T	1/4W 820	1		##	VEP70263A	OPEN SW P.C.B.		(RTL)
R1163	ERDS2TJ821T	1/4W 820	1		PJ7581	REZ1889-1	WIRE	1	
R1164	ERDS2TJ821T	1/4W 820	1						
R1165	ERDS2TJ821T	1/4W 820	1		S7581	EVQ11A04M	SWITCH,	1	
R1166	ERJ3GEYJ821V	1/10W 820	1						
R1167	ERJ3GEY0R00V	1/10W 0	1						
R1169	ERJ3GEY0R00V	1/10W 0	1						
R1170	ERJ3GEY0R00V	1/10W 0	1						
R1171	ERJ3GEY0R00V	1/10W 0	1		##	M1			
R1172	ERJ3GEY0R00V	1/10W 0	1						
R1173	ERJ3GEY0R00V	1/10W 0	1		1	VEP71144C	POWER P.C.B.	1	(RTL)(GN)
R1174	ERJ3GEY0R00V	1/10W 0	1		3	VEP71144D	POWER P.C.B.	1	(RTL)(GT)
R7001	ERJ3GEY0R00V	1/10W 0	1		1	VEP70261A	POWER SW P.C.B.	1	(RTL)
R7002	ERJ3GEY0R00V	1/10W 0	1		4	VEP70263A	OPEN SW P.C.B.	1	(RTL)
R7003	ERJ3GEY0R00V	1/10W 0	1		5	VEP76185A	FRONT P.C.B.	1	(RTL)
R7004	ERJ3GEY0R00V	1/10W 0	1		8	VWJ2058-1	FFC(18P)	1	
R7005	ERJ3GEY0R00V	1/10W 0	1		9	L6FAGC9E0002	FAN MOTOR	1	
R7006	ERJ3GEYJ272V	1/10W 2.7K	1		△ 10	RGR0389A-E1	REAR PANEL	1	(GN)
R7007	ERJ3GEYJ562V	1/10W 5.6K	1		△ 10	RGR0389A-F1	REAR PANEL	1	(GT)
R7009	ERJ3GEYJ104V	1/10W 100K	1		11	RJF0044	PCB SUPPORT	1	
R7010	ERJ3GEYJ103V	1/10W 10K	1		12	RMA2159A-1	FRONT ANGLE	1	
R7011	ERJ3RBD471V	1/16W 470	1		13	RMX0437	INSULATION SHEET	1	
					△ 14	RMZ0975	INSULATION SHEET	1	
△ T1001	G4D2A0000307	TRANSFORMER	1	(GT)	15	RSC0851	HEAT TRANSFER SHEET	1	
△ T1001	G4D2A0000308	TRANSFORMER	1	(GN)	16	RSC0854	HEAT TRANSFER SHEET	1	
					17	RKA0206-K	FOOT RUBBER	1	
△ VA1001	ERZV05Z471CS	VARISTOR	1		18	RKA0206-K	FOOT RUBBER	1	
					19	RKA0206-K	FOOT RUBBER	1	
W201	ERJ3GEY0R00V	1/10W 0	1		20	RKA0206-K	FOOT RUBBER	1	
					21	VJF1535	WIRE	1	
ZA1001	EYF52BCY	FUSE HOLDER	1		22	VJF1535	WIRE	1	
ZA1002	EYF52BCY	FUSE HOLDER	1		23	VJF1535	WIRE	1	
ZA1003	K9ZZ00001279	EARTH PLATE	1		24	RYP1447B-K	FRONT PANEL ASSY1	1	
ZA1004	K9ZZ00001279	EARTH PLATE	1		24-1	RGU2605-K	OPERATION BUTTON	1	
ZA1005	K9ZZ00001279	EARTH PLATE	1		24-2	RGU2606A-K	POWER BUTTON	1	
ZA1006	K9ZZ00001279	EARTH PLATE	1		24-3	RGU2607-K	OPEN/CLOSE BUTTON	1	
ZA1021	VSC5603-A	HEAT SINK	1		24-4	RKW0882-Q	FRONT WINDOW	1	
ZA1022	XYN3+J8FJ	SCREW	1		24-5	RYF0845-K	TRAY DOOR ASSY	1	
ZA1110	VSC5604-A	HEAT SINK	1		24-5-1	RMB0898	TRAY DOOR SPRING	1	
ZA1111	XYN3+J8FJ	SCREW	1		24-5-2	RMG0735-KJ	CUSHION	1	
					24-5-3	RMG0735-KJ	CUSHION	1	
ZB7001	RMN0913	FL HOLDER	1		24-6	RYF0846-K	DOOR ASSY	1	
					24-7	RYK1548-Q	FL WINDOW ASSY	1	
##	VEP76185A	FRONT P.C.B.		(RTL)	△ 26	RKM0605-K	TOP CASE	1	
C7202	ECJ1VF1A105Z	10V 1U	1		27	RFKND35GN	BDP/DIGITAL P.C.B. MODULE	1	(RTL)(GN)
					28	RFKND35GT	BDP/DIGITAL P.C.B. MODULE	1	(RTL)(GT)
IR7201	B3RAD0000150	REMOTE SENSOR	1		28	VEKON21	WIRE WITH CONNECTOR	1	
					31	RHD30101-1	SCREW	1	
P7201	K1KA10B00196	CONNECTOR(10P)	1		32	RHD30101-1	SCREW	1	
P7202	K1KA06B00150	CONNECTOR(6P)	1		33	RHD30101-1	SCREW	1	
					34	RHD30101-1	SCREW	1	
R7201	ERJ3RBD222V	1/16W 2.2K	1		35	RHD30101-1	SCREW	1	
R7202	ERJ3RBD392V	1/16W 3.9K	1		36	RHD30101-1	SCREW	1	
R7203	ERJ3RBD222V	1/16W 2.2K	1		37	RHD30101-1	SCREW	1	
R7204	ERJ3RBD392V	1/16W 3.9K	1		38	RHD30101-1	SCREW	1	
R7205	ERJ3GEYJ330V	1/10W 33	1		39	RHD30101-1	SCREW	1	
R7206	ERJ3GEY0R00V	1/10W 0	1		40	RHD30101-1	SCREW	1	
					41	RHD30101-1	SCREW	1	
					42	RHD30101-1	SCREW	1	

DMP-BD35GN-K

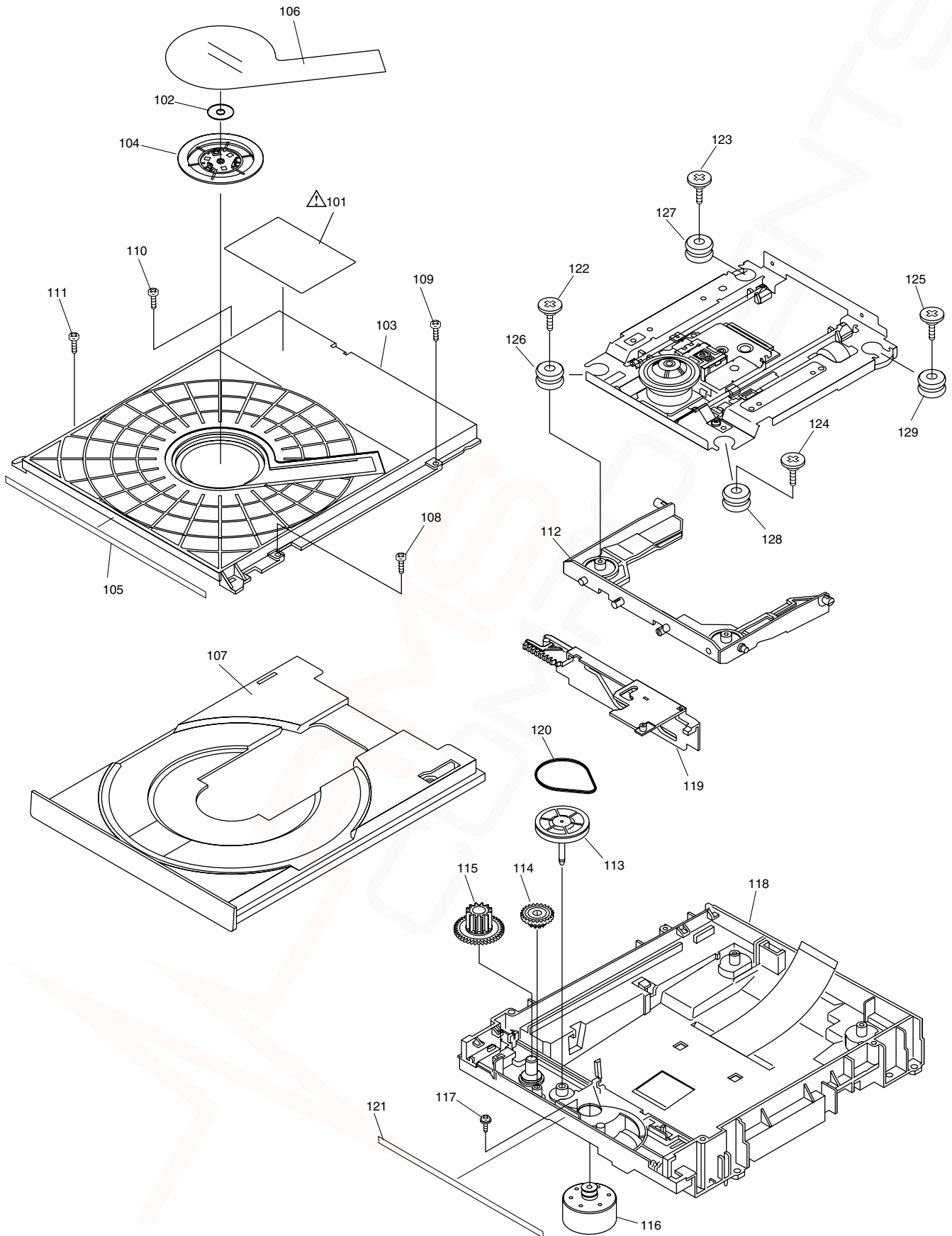
Ref.No.	Part No.	Part Name & Description	Pcs	Remarks	Ref.No.	Part No.	Part Name & Description	Pcs	Remarks
43	RHD30101-1	SCREW	1		PC4	RPN2084B	CUSHION(B)	1	
44	RHD30101-1	SCREW	1						
46	RHD30119-L	SCREW	1						
47	RHD30119-L	SCREW	1						
48	RHD30119-L	SCREW	1						
49	RHD30119-L	SCREW	1						
50	RHD30119-L	SCREW	1						
51	RHD30119-L	SCREW	1						
52	RHD30119-L	SCREW	1						
53	RHD30119-L	SCREW	1						
54	RHD30119-L	SCREW	1						
55	RHD30119-L	SCREW	1						
56	RHD30119-L	SCREW	1						
57	XSN3+4FJ	SCREW	1						
58	RHD26045-J	SCREW	1						
59	RHD26045-J	SCREW	1						
60	RHD26045-J	SCREW	1						
61	RHD26045-J	SCREW	1						
62	RHD26045-J	SCREW	1						
63	RHD30113-1K	SCREW	1						
64	RHD30113-1K	SCREW	1						
65	RHD30113-1K	SCREW	1						
66	RHD30113-1K	SCREW	1						
67	VHD0690-1	SCREW	1						
68	VHD0690-1	SCREW	1						
69	VHD0690-1	SCREW	1						
##	M2								
△ 101	VQL1J70-J	LASER CAUTION LABEL	1						
102	VMA0V86	YOKE	1						
103	VMD5751	UPPER BASE	1						
104	VMD5752	CLAMPER	1						
105	VMT1876-J	DUST COVER A	1						
106	VMZ3737-J	CLAMP COVER	1						
107	VXA8487	TRAY ASS'Y	1						
108	XTV26+10GFJ	SCREW	1						
109	XTV26+10GFJ	SCREW	1						
110	XTV26+10GFJ	SCREW	1						
111	XTV26+10GFJ	SCREW	1						
112	VMD5753	MID BASE	1						
113	VDG1713	PULLEY GEAR	1						
114	VDG1714	MID GEAR	1						
115	VDG1715	DRIVE GEAR	1						
116	VEM0867	LOADING MOTOR U	1						
117	VHD1653-1	SCREW	1						
118	VMD5748-1	MECHA CHASSIS	1						
119	VMD5749	SLIDE CAM	1						
120	VMG1809	BELT	1						
121	VMT1877-J	DUST COVER B	1						
122	VHD1518-1	SCREW	1						
123	VHD1518-1	SCREW	1						
124	VHD1518-1	SCREW	1						
125	VHD1518-1	SCREW	1						
126	VMG1810	DAMPER	1						
127	VMG1810	DAMPER	1						
128	VMG1810	DAMPER	1						
129	VMG1810	DAMPER	1						
##	M3								
△ A1	K2CJ2DA00008	AC CORD	1 (GN)						
△ A1	K2CA2CA00027	AC CORD	1 (GT)						
A2	K2KA6BA00004	AV CORD	1						
A3	N2QAYB000185	REMOTE CONTROL ASS'Y	1						
A3-1	100300037800	BATTERY COVER	1						
A4	RPQF0220-1	ACCESSORY BOX	1						
A5	RPF0031-B	POLYETHYLENE BAG	1						
A6	RQT9248-L	OPERATING INSTRUCTIONS	1 (GN)						
A6	RQT9256-K	OPERATING INSTRUCTIONS	1 (GT)						
PC1	RPG8636	PACKING CASE	1 (GN)						
PC1	RPG8637	PACKING CASE	1 (GT)						
PC2	RPF0458	POLYETHYLENE BAG	1						
PC3	RPN2084A	CUSHION(A)	1						

S8. Exploded View

S8.1. Frame and Casing Section



S8.2. Mechanism Section



S8.3. Packing Parts and Accessories Section

