

Service Manual

Blu-ray Disc Player



Model No. **DMP-BD30GN**
DMP-BD30GCS

Vol. 1

Color

(K).....Black Type

Java and all Java-based trademarks and logos are trademarks or registered trademarks of Sun Microsystems, Inc. in the United States and other countries.

Manufactured under license from Dolby Laboratories. Dolby and the double-D symbol are trademarks of Dolby Laboratories.

"DTS" is a registered trademark of DTS, Inc. and "DTS-HD Advanced Digital Out" is a trademark of DTS, Inc.

U.S. Patent Nos. 6,836,549; 6,381,747; 7,050,698; 6,516,132; and 5,583,936.

This product incorporates copyright protection technology that is protected by U.S. patents and other intellectual property rights. Use of this copyright protection technology must be authorized by Macrovision, and is intended for home and other limited viewing uses only unless otherwise authorized by Macrovision. Reverse engineering or disassembly is prohibited.

HDMI, the HDMI logo and High-Definition Multimedia Interface are trademarks or registered trademarks of HDMI Licensing LLC.

This product is licensed under the AVC patent portfolio license and VC-1 patent portfolio license for the personal and non-commercial use of a consumer to (i) encode video in compliance with the AVC Standard and VC-1 Standard ("AVC/VC-1 Video") and/or (ii) decode AVC/VC-1 Video that was encoded by a consumer engaged in a personal and non-commercial activity and/or was obtained from a video provider licensed to provide AVC/VC-1 Video. No license is granted or shall be implied for any other use. Additional information may be obtained from MPEG LA, LLC. See <http://www.mpegla.com>.

HDAVI Control™ is a trademark of Matsushita Electric Industrial Co., Ltd.

"AVCHD" and the "AVCHD" logo are trademarks of Matsushita Electric Industrial Co., Ltd. and Sony Corporation.

SDHC Logo is a trademark.

Portions of this product are protected under copyright law and are provided under license by ARIS/SOLANA/4C.

WARNING

This service information is designed for experienced repair technicians only and is not designed for use by the general public. It does not contain warnings or cautions to advise non-technical individuals of potential dangers in attempting to service a product. Products powered by electricity should be serviced or repaired only by experienced professional technicians. Any attempt to service or repair the product or products dealt with in this service information by anyone else could result in serious injury or death.

Panasonic[®]

© 2008 Matsushita Electric Industrial Co., Ltd. All rights reserved. Unauthorized copying and distribution is a violation of law.

DMP-BD30GN-K

Ref.No.	Part No.	Part Name & Description	Pcs	Remarks
##	RFKB73152GN	AV OUT P.C.B.		(RTL)(GN)
##	RFKB73152GC	AV OUT P.C.B.		(RTL)(GCS)
C3019	F1H1C104A071	16V 0.1U	1	
C3020	F2A0J470A831	6.3V 47U	1	
C3021	F1H1C104A071	16V 0.1U	1	
C3022	ECJ1VB0J105K	6.3V 1U	1	
C3023	ECJ1VB0J105K	6.3V 1U	1	
C3024	ECJ1VB1H103K	50V 0.01U	1	
C3025	F1H1C104A071	16V 0.1U	1	
C3026	F1H1C104A071	16V 0.1U	1	
C3027	F2A0J220A245	6.3V 22U	1	
C3029	F1H1C104A071	16V 0.1U	1	
C3030	F2A0J470A831	6.3V 47U	1	
C3032	ECJ1VB1H103K	50V 0.01U	1	
C3033	ECJ1VB1H103K	50V 0.01U	1	
C3034	ECJ1VB1H103K	50V 0.01U	1	
C3035	ECJ1VB1H103K	50V 0.01U	1	
C3036	ECJ1VB1H103K	50V 0.01U	1	
C3037	F2A0J102A247	6.3V 1000U	1	
C3038	F2A0J102A247	6.3V 1000U	1	
C3039	F2A0J102A247	6.3V 1000U	1	
C3040	F2A0J102A247	6.3V 1000U	1	
C3042	F2A0J102A247	6.3V 1000U	1	
C3101	ECJ1VB0J105K	6.3V 1U	1	
C3104	ECJ1VB1H103K	50V 0.01U	1	
C3105	F2A0J220A245	6.3V 22U	1	
C3401	F2A1E470A205	25V 47U	1	
C3405	F2A1E470A205	25V 47U	1	
C3406	F2A0J470A599	6.3V 47U	1	
C3407	F1H1C104A071	16V 0.1U	1	
C3601	F1H1C104A071	16V 0.1U	1	
C3602	ECJ1VC1H150J	50V 15P	1	
C3603	ECJ1VC1H150J	50V 15P	1	
C3815	ECJ1VB1H103K	50V 0.01U	1	
C4001	F2A1E221A205	25V 220U	1	
C4002	F1H1C104A071	16V 0.1U	1	
C4004	F1H1C104A071	16V 0.1U	1	
C4005	F2A1A102A206	10V 1000U	1	
C4007	F1H1C104A071	16V 0.1U	1	
C4008	F2A1H221A236	50V 220U	1	
C4009	F2A1H221A236	50V 220U	1	
C4011	F2A1V221A082	35V 220U	1	
C4017	F2A1V221A082	35V 220U	1	
C4018	F2A1V221A082	35V 220U	1	
C4029	F2A1V221A082	35V 220U	1	
C4031	F2A1V221A082	35V 220U	1	
C4032	F2A1E470A205	25V 47U	1	
C4033	F2A1E470A205	25V 47U	1	
C4035	F2A1E470A205	25V 47U	1	
C4036	F2A1E470A205	25V 47U	1	
C4037	F2A1E470A205	25V 47U	1	
C4039	F2A1E470A205	25V 47U	1	
C4040	F2A1E470A205	25V 47U	1	
C4041	F2A1E470A205	25V 47U	1	
C4042	ECJ1VC1H102J	50V 1000P	1	
C4043	ECJ1VC1H102J	50V 1000P	1	
C4044	ECJ1VC1H102J	50V 1000P	1	
C4045	ECJ1VC1H102J	50V 1000P	1	
C4048	ECJ1VC1H102J	50V 1000P	1	
C4049	ECJ1VC1H102J	50V 1000P	1	
C4050	ECJ1VC1H102J	50V 1000P	1	
C4051	ECJ1VC1H102J	50V 1000P	1	
IC3005	C1AB00002822	IC	1	
IC3101	C0DBCHD00004	IC	1	
IC3401	B3ZA20000016	IC	1	
IC3601	RFKFM4500E2N	IC	1	(GN)
IC3601	RFKFM4500E2C	IC	1	(GCS)
IC4001	C0CBCDG00006	IC	1	
JK3001	K2HA816B0009	JACK,OUTPUT	1	
JK4002	K2HA609B0005	JACK,AUDIO OUT	1	
L3002	G0C220JA0019	COIL 22UH	1	
L3003	G0C220JA0019	COIL 22UH	1	

Ref.No.	Part No.	Part Name & Description	Pcs	Remarks
LB3002	ERJ3GEY0R00V	1/10W 0	1	
LB3003	ERJ3GEY0R00V	1/10W 0	1	
LB3004	ERJ3GEY0R00V	1/10W 0	1	
LB3005	ERJ3GEY0R00V	1/10W 0	1	
LB3006	ERJ3GEY0R00V	1/10W 0	1	
LB3007	ERJ3GEY0R00V	1/10W 0	1	
LB3401	JOJBC0000033	COIL	1	
P3001	K1KY23AA0606	CONNECTOR(23P)	1	
P4001	K1KY23AA0606	CONNECTOR(23P)	1	
Q3401	B1ABDF000033	TRANSISTOR	1	
Q4002	B1ABDF000026	TRANSISTOR	1	
Q4004	B1BACD000011	TRANSISTOR	1	
Q4005	B1BCCD000013	TRANSISTOR	1	
Q4006	B1ABDF000026	TRANSISTOR	1	
Q4007	B1ABDF000026	TRANSISTOR	1	
Q4008	B1ABDF000026	TRANSISTOR	1	
Q4009	B1ABDF000026	TRANSISTOR	1	
Q4012	B1ABDF000026	TRANSISTOR	1	
Q4013	B1ABDF000026	TRANSISTOR	1	
Q4014	B1ABDF000026	TRANSISTOR	1	
Q4015	B1ABDF000026	TRANSISTOR	1	
QR3006	B1GBCFL0042	TRANSISTOR	1	
QR3008	B1GBCFL0042	TRANSISTOR	1	
QR4001	XN0431100L	TRANSISTOR	1	
QR4002	B1GDCFJ0037	TRANSISTOR	1	
QR4003	XN0431100L	TRANSISTOR	1	
QR4004	XN0431100L	TRANSISTOR	1	
QR4005	B1GBCFJA0033	TRANSISTOR	1	
R3011	ERJ3GEYJ473V	1/10W 47K	1	
R3013	ERJ3GEYJ101V	1/10W 100	1	
R3016	ERJ3GEYJ103V	1/10W 10K	1	
R3017	ERJ3GEY0R00V	1/10W 0	1	
R3018	ERJ3GEY0R00V	1/10W 0	1	
R3019	ERJ3GEY0R00V	1/10W 0	1	
R3025	ERJ3GEYJ103V	1/10W 10K	1	
R3032	ERJ3GEYF750V	1/10W 75	1	
R3033	ERJ3GEYJ750V	1/10W 75	1	
R3034	ERJ3GEYJ750V	1/10W 75	1	
R3035	ERJ3GEYF750V	1/10W 75	1	
R3036	ERJ3GEYJ750V	1/10W 75	1	
R3037	ERJ3GEYF750V	1/10W 75	1	
R3401	ERJ3GEYJ102V	1/10W 1K	1	
R3402	ERJ3GEYJ102V	1/10W 1K	1	
R3403	ERJ3GEYJ102V	1/10W 1K	1	
R3404	ERJ3GEYJ221V	1/10W 220	1	
R3405	ERJ3GEYJ750V	1/10W 75	1	
R3406	ERJ3GEYJ103V	1/10W 10K	1	
R3602	ERJ3GEY0R00V	1/10W 0	1	
R3603	ERJ3GEY0R00V	1/10W 0	1	
R4001	ERJ3GEYJ222V	1/10W 2.2K	1	
R4002	ERJ3GEYJ103V	1/10W 10K	1	
R4003	ERJ3GEYJ332V	1/10W 3.3K	1	
R4004	ERJ3GEYJ332V	1/10W 3.3K	1	
R4005	ERJ3GEYJ332V	1/10W 3.3K	1	
R4006	ERJ3GEYJ223V	1/10W 22K	1	
R4007	ERJ3GEYJ272V	1/10W 2.7K	1	
R4014	ERJ3GEYJ331V	1/10W 330	1	
R4015	ERJ3GEYJ331V	1/10W 330	1	
R4020	ERJ3GEYJ473V	1/10W 47K	1	
R4021	ERJ3GEYJ473V	1/10W 47K	1	
R4022	ERJ3GEYJ473V	1/10W 47K	1	
R4023	ERJ3GEYJ473V	1/10W 47K	1	
R4026	DOHB821ZA002	1/16W 820	1	
R4027	DOHB821ZA002	1/16W 820	1	
R4028	DOHB821ZA002	1/16W 820	1	
R4029	DOHB821ZA002	1/16W 820	1	
R4032	ERJ3GEYJ473V	1/10W 47K	1	
R4033	ERJ3GEYJ473V	1/10W 47K	1	
R4034	ERJ3GEYJ473V	1/10W 47K	1	
R4035	ERJ3GEYJ473V	1/10W 47K	1	
R4036	ERJ3GEYJ821V	1/10W 820	1	
R4037	ERJ3GEYJ821V	1/10W 820	1	

DMP-BD30GN-K

Ref.No.	Part No.	Part Name & Description	Pcs	Remarks
△ IP7502	K5H751Z00003	IC PROTECTOR	1	
△ L1001	G0B233D00001	COIL	1	
△ L1002	G0B233D00001	COIL	1	
L1103	G0A100H00025	COIL 10UH	1	
L1104	G0A100HA00023	COIL 10UH	1	
L1105	G0A150ZA00041	COIL 15UH	1	
L1107	G0C330KA00065	COIL 33UH	1	
LB1103	J0JHC0000048	FILTER	1	
LB1104	J0JHC0000048	FILTER	1	
LB1107	J0JHC0000048	FILTER	1	
LB1601	ERJ6GEY0R00V	1/8W 0	1	
LB1602	ERJ6GEY0R00V	1/8W 0	1	
LB6801	J0JHC0000032	COIL	1	
LB6802	J0JCC0000185	COIL	1	
LB6803	J0JGC0000020	COIL	1	
LB6804	J0JCC0000185	COIL	1	
LB6805	J0JCC0000185	COIL	1	
LB7501	J0JCC0000185	COIL	1	
LB7502	J0JGC0000020	COIL	1	
LB7503	J0JGC0000020	COIL	1	
LB7504	J0JGC0000020	COIL	1	
LB7505	J0JCC0000185	COIL	1	
LB7506	J0JCC0000185	COIL	1	
LB7507	J0JCC0000185	COIL	1	
LB7508	J0JCC0000185	COIL	1	
LB7509	J0JCC0000185	COIL	1	
LB7510	J0JCC0000185	COIL	1	
LB7511	J0JCC0000185	COIL	1	
LB7512	J0JCC0000185	COIL	1	
LB7513	J0JGC0000020	COIL	1	
LB7514	J0JGC0000020	COIL	1	
△ P1001	K2AA2H000007	AC INLET	1	
P1102	K1KY09AA0606	CONNECTOR(9P)	1	
P1601	K1KA04AA0301	CONNECTOR(4P)	1	
P6801	K1NA12B00004	CONNECTOR(12P)	1	
P7501	K1KB18B00017	CONNECTOR(18P)	1	
P7503	K1KY23AA0606	CONNECTOR(23P)	1	
P7504	K1KY23AA0606	CONNECTOR(23P)	1	
Q1021	2SD0601ARL	TRANSISTOR	1	
△ Q1022	B3PBA0000454	TRANSISTOR	1	
△ Q1023	B3PBA0000454	TRANSISTOR	1	
Q1101	2SA1309ARA	TRANSISTOR	1	
Q1102	B1DHED000008	TRANSISTOR	1	
Q1104	B1DHED000008	TRANSISTOR	1	
Q1106	2SB1320ARA	TRANSISTOR	1	
Q1107	2SC3311ASA	TRANSISTOR	1	
Q1651	B1ABDF000026	TRANSISTOR	1	
Q7506	B1ABGC000011	TRANSISTOR	1	
Q7509	B1ABMF000020	TRANSISTOR	1	
QR1101	B1GBCFLL0042	TRANSISTOR	1	
QR1102	B1GBCFNN0041	TRANSISTOR	1	
QR1105	B1GBCFLL0042	TRANSISTOR	1	
QR1651	B1GBCFNN0041	TRANSISTOR	1	
QR1652	B1GDCFCG00028	TRANSISTOR	1	
QR7502	B1GDCFNN0024	TRANSISTOR	1	
R1014	ERG2SJ104P	2W 100K	1	
R1022	ERX2SZJR20E	2W 20	1	
R1023	ERJ3GEYJ103V	1/10W 10K	1	
R1024	ERJ3RBD153V	1/16W 15K	1	
R1025	ERJ3RBD222V	1/16W 2.2K	1	
R1026	ERDS2TJ221T	1/4W 220	1	
R1027	ERJ3GEYJ104V	1/10W 100K	1	
R1028	ERJ3GEYJ220V	1/10W 22	1	
R1029	ERJ3GEYJ220V	1/10W 22	1	
R1030	ERJ3GEYJ152V	1/10W 1.5K	1	
R1032	ERJ3RBD432V	1/16W 4.3K	1	
R1033	ERJ3RBD332V	1/16W 3.3K	1	
R1034	ERJ3GEYJ104V	1/10W 100K	1	
R1104	ERJ3GEYJ472V	1/10W 4.7K	1	
R1111	ERJ3GEYJ102V	1/10W 1K	1	
R1112	ERJ3GEYJ222V	1/10W 2.2K	1	

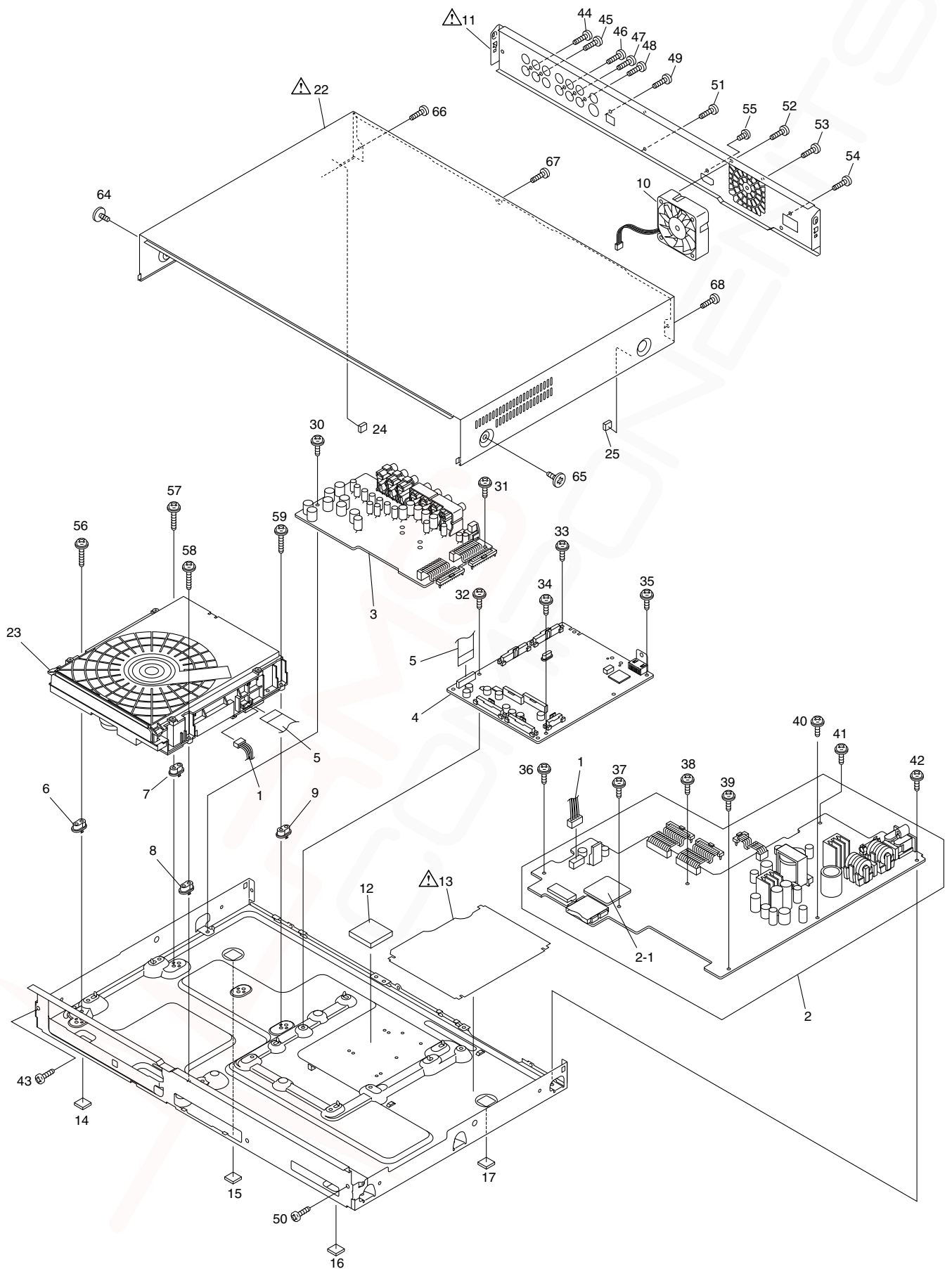
Ref.No.	Part No.	Part Name & Description	Pcs	Remarks
R1113	ERJ3GEYJ103V	1/10W 10K	1	
R1115	ERJ3RBD242V	1/16W 2.4K	1	
R1116	ERJ3GEYJ222V	1/10W 2.2K	1	
R1117	ERDS2TJ101T	1/4W 100	1	
R1118	ERJ3RBD301V	1/16W 300	1	
R1119	ERJ3RBD912V	1/16W 9.1K	1	
R1120	ERJ3GEYJ472V	1/10W 4.7K	1	
R1121	ERJ3GEYJ223V	1/10W 22K	1	
R1123	ERJ3GEYJ223V	1/10W 22K	1	
R1129	ERJ3GEYJ513V	1/10W 51K	1	
R1130	D1BFR0270001	1/2W 0.027	1	
R1136	ERJ3RBD152V	1/16W 1.5K	1	
R1137	ERJ3RBD393V	1/16W 39K	1	
R1138	ERJ3RBD113V	1/16W 11K	1	
R1141	ERJ3RBD222V	1/16W 2.2K	1	
R1142	ERJ3RBD822V	1/16W 8.2K	1	
R1143	ERJ3RBD272V	1/16W 2.7K	1	
R1144	ERJ6GEYR00V	1/8W 0	1	
R1146	ERJ6GEYR00V	1/8W 0	1	
R1150	ERJ6GEYR00V	1/8W 0	1	
R1151	ERJ3GEYJ221V	1/10W 220	1	
R1152	ERJ6GEYR00V	1/8W 0	1	
R1161	ERDS2TJ821T	1/4W 820	1	
R1162	ERDS2TJ821T	1/4W 820	1	
R1163	ERDS2TJ821T	1/4W 820	1	
R1164	ERDS2TJ821T	1/4W 820	1	
R1165	ERDS2TJ821T	1/4W 820	1	
R1166	ERJ3GEYJ821V	1/10W 820	1	
R1651	ERJ3GEYJ823V	1/10W 82K	1	
R1654	ERJ6GEYJ101V	1/8W 100	1	
R1655	ERJ3GEYJ472V	1/10W 4.7K	1	
R6801	J0JCC0000185	COIL	1	
R6804	ERJ3GEYJ223V	1/10W 22K	1	
R6805	ERJ3GEYJ123V	1/10W 12K	1	
R6807	ERJ3GEYJ223V	1/10W 22K	1	
R6808	ERJ3GEYJ2R2V	1/10W 2.2	1	
R6809	ERJ3GEYJ2R2V	1/10W 2.2	1	
R6810	ERJ3GEYJ2R2V	1/10W 2.2	1	
R6811	ERJ3GEYJ2R2V	1/10W 2.2	1	
R6812	ERJ3GEYJ2R2V	1/10W 2.2	1	
R6813	ERJ3GEYJ123V	1/10W 12K	1	
R6814	ERJ3GEYJ123V	1/10W 12K	1	
R6815	ERJ3GEYJ123V	1/10W 12K	1	
R6816	ERJ3GEYJ123V	1/10W 12K	1	
R7502	ERJ3GEYJ101V	1/10W 100	1	
R7503	ERJ3GEYJ473V	1/10W 47K	1	
R7515	ERJ3GEYJ103V	1/10W 10K	1	
R7516	ERJ3GEYJ103V	1/10W 10K	1	
R7517	ERJ3GEYJ103V	1/10W 10K	1	
R7518	ERJ3GEYJ103V	1/10W 10K	1	
R7519	ERJ3GEYJ103V	1/10W 10K	1	
R7520	ERJ3GEYJ104V	1/10W 100K	1	
R7525	ERJ3GEYJ472V	1/10W 4.7K	1	
R7526	ERJ3GEYJ473V	1/10W 47K	1	
R7528	ERJ3GEYR00V	1/10W 0	1	
R7530	ERJ3GEYJ473V	1/10W 47K	1	
R7531	ERJ3GEYJ101V	1/10W 100	1	
R7534	ERJ3GEYJ103V	1/10W 10K	1	
R7536	ERJ3GEYJ101V	1/10W 100	1	
R7537	ERJ3GEYJ101V	1/10W 100	1	
R7539	ERJ3GEYJ101V	1/10W 100	1	
R7540	ERJ3GEYJ101V	1/10W 100	1	
R7541	ERJ3GEYJ101V	1/10W 100	1	
R7547	ERJ3GEYJ101V	1/10W 100	1	
R7548	ERJ3GEYJ103V	1/10W 10K	1	
R7553	ERJ3GEYJ103V	1/10W 10K	1	
R7561	ERJ3GEYJ101V	1/10W 100	1	
R7562	ERJ3GEYJ101V	1/10W 100	1	
R7564	ERJ3GEYJ101V	1/10W 100	1	
R7565	ERJ3GEYJ103V	1/10W 10K	1	
R7566	ERJ3GEYJ103V	1/10W 10K	1	
R7567	ERJ3GEYJ821V	1/10W 820	1	
R7568	ERJ3GEYJ303V	1/10W 30K	1	
R7569	ERJ3RBD822V	1/16W 8.2K	1	
R7570	ERJ3GEYJ473V	1/10W 47K	1	
R7575	ERJ3GEYJ101V	1/10W 100	1	
R7577	ERJ3GEYJ473V	1/10W 47K	1	

DMP-BD30GN-K

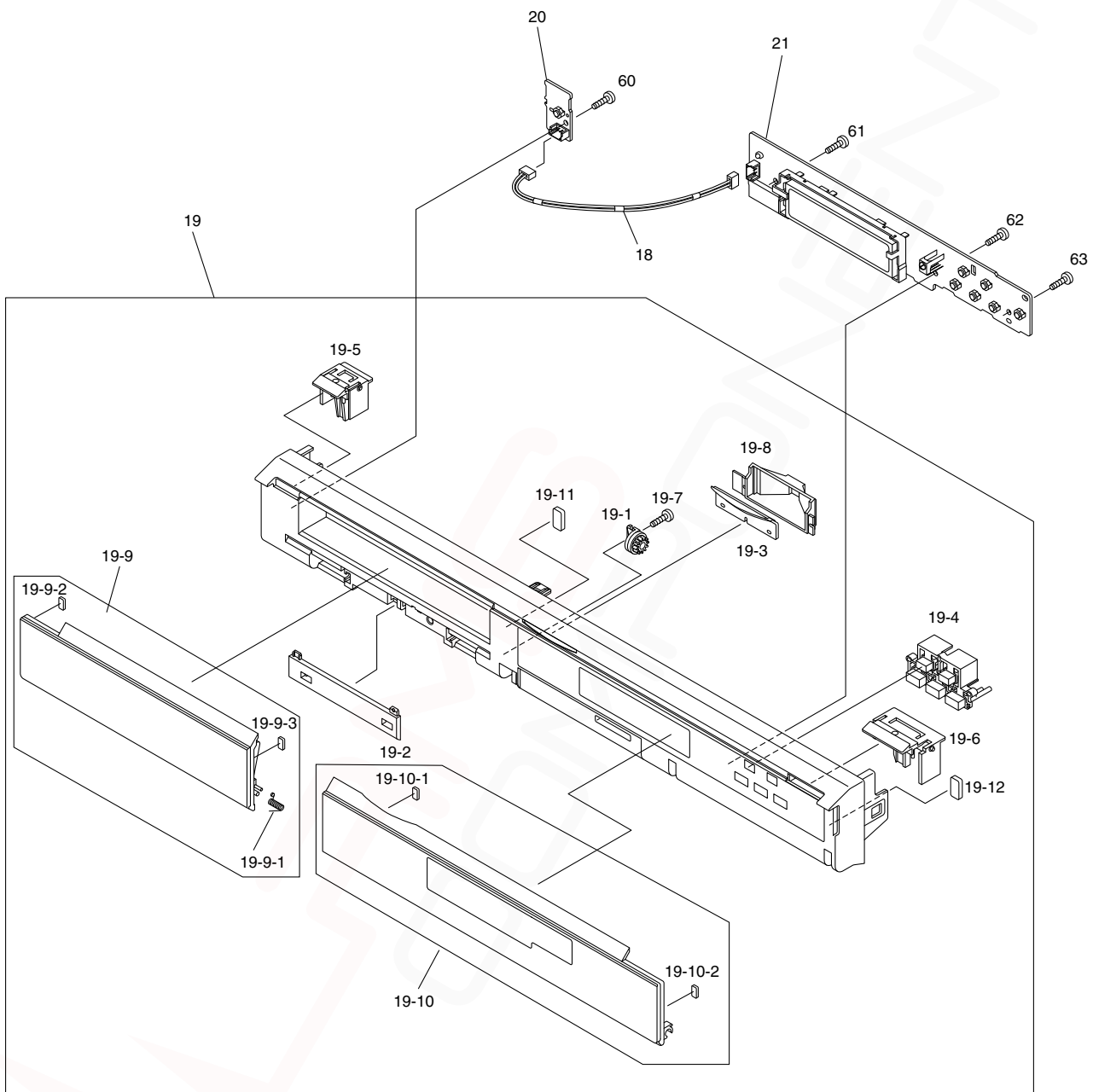
Ref.No.	Part No.	Part Name & Description	Pcs	Remarks	Ref.No.	Part No.	Part Name & Description	Pcs	Remarks
R7579	ERJ3GEYJ473V	1/10W 47K	1						
R7582	ERJ3RBD242V	1/16W 2.4K	1		D7201	B3AEA0000099	LED	1	
R7587	ERJ3RBD222V	1/16W 2.2K	1		DP7201	A2BD00000183	DISPLAY TUBE	1	
R7592	ERJ3GEYJ101V	1/10W 100	1		IC7201	C0HBB0000057	IC	1	
R7593	ERJ3GEYJ101V	1/10W 100	1		IR7201	B3RAD0000150	REMOTE SENSOR	1	
R7603	ERJ3GEYJ103V	1/10W 10K	1		LB7201	JOJCC0000103	COIL	1	
R7611	ERJ3GEYJ101V	1/10W 100	1		LB7203	JOJCC0000103	COIL	1	
R7612	ERJ3GEYJ101V	1/10W 100	1		P7201	K1KA18B00034	CONNECTOR(18P)	1	
R7613	ERJ3GEYJ101V	1/10W 100	1		P7202	K1KA03AA0301	CONNECTOR(3P)	1	
R7614	ERJ3GEYJ101V	1/10W 100	1		Q7201	B1ABDF000033	TRANSISTOR	1	
R7615	ERJ3GEYJ101V	1/10W 100	1		R7201	ERJ3RBD392V	1/16W 3.9K	1	
R7616	ERJ3GEYJ101V	1/10W 100	1		R7202	ERJ3RBD222V	1/16W 2.2K	1	
R7617	ERJ3GEYJ101V	1/10W 100	1		R7203	ERJ6GEYJ301V	1/8W 300	1	
R7618	ERJ3GEYJ101V	1/10W 100	1		R7205	ERJ3GEYJ332V	1/10W 3.3K	1	
R7620	ERJ3GEYJ103V	1/10W 10K	1		R7206	ERJ3GEYJ473V	1/10W 47K	1	
R7622	ERJ3GEYJ103V	1/10W 10K	1		R7207	ERJ3GEYJ330V	1/10W 33	1	
R7623	ERJ3GEYR000V	1/10W 0	1		R7208	ERJ3GEYJ104V	1/10W 100K	1	
R7625	ERJ3GEYR000V	1/10W 0	1		S7201	EVQ11A04M	SWITCH.OPEN/CLOSE	1	
R7627	ERJ3GEYJ223V	1/10W 22K	1		S7202	EVQ11A04M	SWITCH.PLAY	1	
R7628	ERJ3GEYR000V	1/10W 0	1		S7203	EVQ11A04M	SWITCH.SKIP-FWD	1	
R7629	ERJ3RBD471V	1/16W 470	1		S7204	EVQ11A04M	SWITCH.PAUSE	1	
R7631	ERJ3GEYR000V	1/10W 0	1		S7205	EVQ11A04M	SWITCH.SKIP-REV	1	
R7632	ERJ3GEYR000V	1/10W 0	1		S7206	EVQ11A04M	SWITCH.STOP	1	
△ T1001	G4D2A0000297	TRANSFORMER	1		W101	ERJ3GEYR000V	1/10W 0	1	
△ VA1001	ERZV05Z471CS	VARISTOR	1		W102	ERJ3GEYR000V	1/10W 0	1	
W81	ERJ6GEYR000V	1/8W 0	1		ZB7201	RMN0896A	FL HOLDER	1	
W301	ERJ6GEYR000V	1/8W 0	1		##	VEP70237A	SD CONNECTOR BOARD		
W302	ERJ6GEYR000V	1/8W 0	1		FL6901	JOMAB0000148	FILTER	1	
W303	ERJ6GEYR000V	1/8W 0	1		FL6902	JOMAB0000148	FILTER	1	
W304	ERJ3GEYR000V	1/10W 0	1		FL6903	JOMAB0000148	FILTER	1	
W305	ERJ6GEYR000V	1/8W 0	1		FL6905	JOMAB0000148	FILTER	1	
W306	ERJ6GEYR000V	1/8W 0	1		FL6906	JOMAB0000148	FILTER	1	
W307	ERJ3GEYR000V	1/10W 0	1		PK6901	K1MR09AA0015	CONNECTOR(9P)	1	
W308	ERJ3GEYR000V	1/10W 0	1		PK6902	K1MR10AA0015	CONNECTOR(10P)	1	
W309	ERJ3GEYR000V	1/10W 0	1		R6902	ERJ3GEYJ820V	1/10W 82	1	
W310	ERJ3GEYR000V	1/10W 0	1		##	M1	CASING/ACCESSORY/PACKING		
W311	ERJ3GEYR000V	1/10W 0	1		1	VEE1E13	WIRE WITH CONNECTOR(4P)	1	
W312	ERJ3GEYR000V	1/10W 0	1		2	VEP71131E	POWER P.C.B.	1	(RTL)
W313	ERJ3GEYR000V	1/10W 0	1		2-1	VEP70237A	SD CONNECTOR BOARD	1	
W314	ERJ3GEYR000V	1/10W 0	1		3	RFKB73152GN	AV OUT P.C.B.	1	(RTL)(GN)
W315	ERJ6GEYR000V	1/8W 0	1		3	RFKB73152GC	AV OUT P.C.B.	1	(RTL)(GCS)
W316	ERJ3GEYR000V	1/10W 0	1		4	RFKB76160E	DIGITAL P.C.B.	1	(RTL)
W317	ERJ6GEYR000V	1/8W 0	1		5	VWJ2010	FFC(40P)	1	
W318	ERJ6GEYR000V	1/8W 0	1		6	RMX0404-1J	DRIVE SPACER	1	
W319	ERJ6GEYR000V	1/8W 0	1		7	RMX0404-1J	DRIVE SPACER	1	
X7502	HOD100500018	CRYSTAL OSCILLATOR	1		8	RMX0404-1J	DRIVE SPACER	1	
ZA1001	EYF52BCY	FUSE HOLDER	1		9	RMX0404-1J	DRIVE SPACER	1	
ZA1002	EYF52BCY	FUSE HOLDER	1		10	L6FAJBYG0002	FAN MOTOR	1	
ZA1003	K9ZZ00001279	EARTH PLATE	1		△ 11	RGR0379C-C3	REAR PANEL	1	(GN)
ZA1004	K9ZZ00001279	EARTH PLATE	1		△ 11	RGR0379C-F2	REAR PANEL	1	(GCS)
ZA1005	K9ZZ00001279	EARTH PLATE	1		12	RSC0824	RADIATOR SHEET	1	
ZA1006	K9ZZ00001279	EARTH PLATE	1		△ 13	RMZ0926-J	BARRIER	1	
ZA1007	K9ZZ00001279	EARTH PLATE	1		14	RKA0137-K	FOOT RUBBER	1	
ZA1021	VSC5603	HEAT SINK	1		15	RKA0137-K	FOOT RUBBER	1	
ZA1022	XYN3+J8FJ	SCREW	1		16	RKA0137-K	FOOT RUBBER	1	
ZA1110	VSC5604-A	HEAT SINK	1		17	RKA0137-K	FOOT RUBBER	1	
ZA1111	XYN3+J8FJ	SCREW	1		△ 22	RKM0564-1K	TOP COVER	1	
##	VEP76165E	FRONT(L)P.C.B.		(RTL)	23	VXY2001	BD/DVD DRIVE	1	
P7001	K1KA03AA0301	CONNECTOR(3P)	1		24	RKA0144-K	CUSHION	1	
S7001	EVQ11A04M	SWITCH.	1						
##	VEP76166E	FRONT(R)P.C.B.		(RTL)					
C7202	ECJ1VF1A105Z	10V 1U	1						
C7204	F1H1C104A071	16V 0.1U	1						
C7205	F1H1C104A071	16V 0.1U	1						
C7206	ECJ1VF1H104Z	50V 0.1U	1						

S8. Exploded View

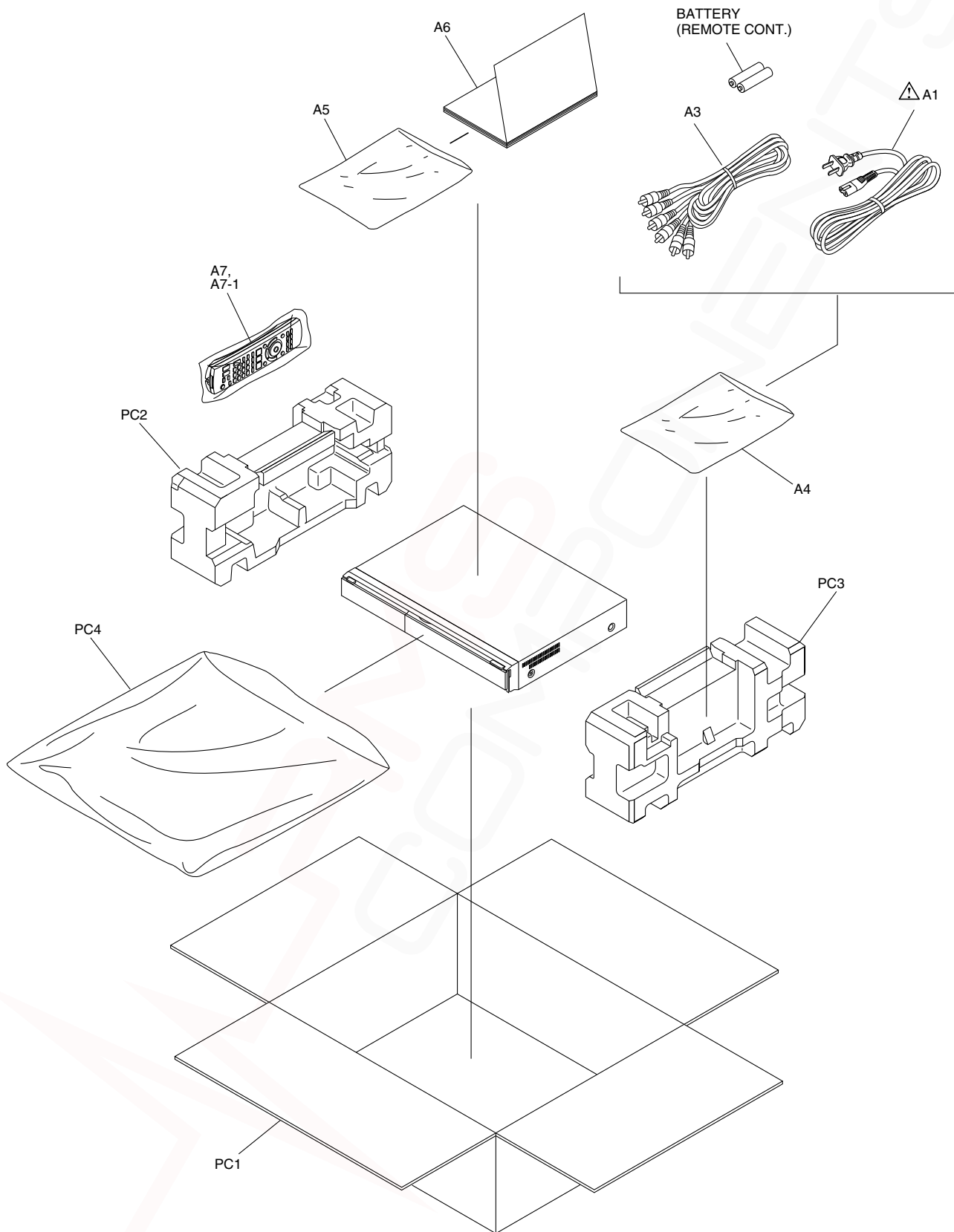
S8.1. Frame and Casing Section (1)



S8.2. Frame and Casing Section (2)



S8.3. Packing Parts and Accessories Section



S8.4. Mechanism Section

