

Service Manual

Blu-ray Disc Player

Model No. **DMP-BBT01GN**

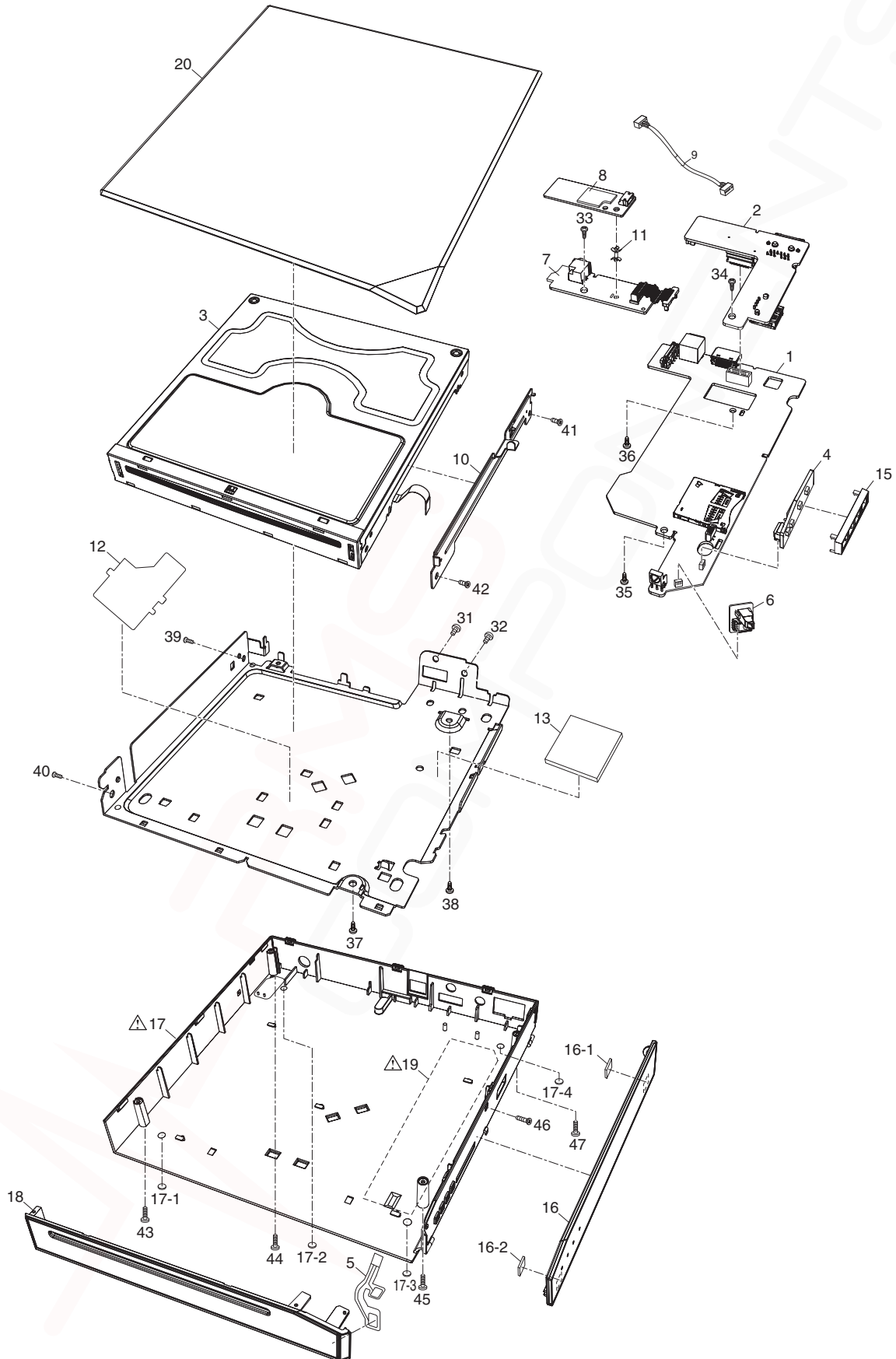
Colour
(K).....Black Type



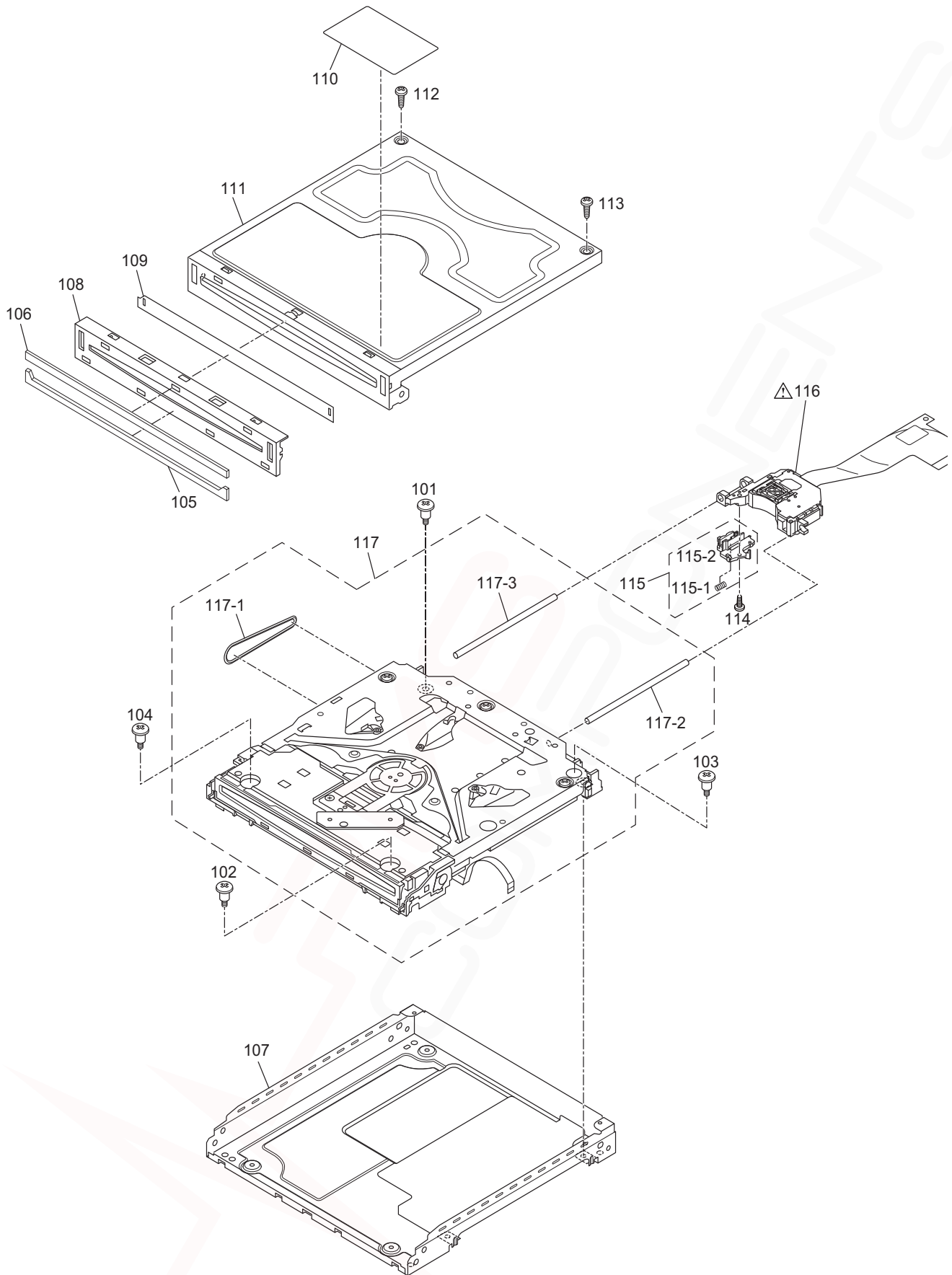
15 Exploded View and Replacement Parts List

15.1. Exploded Views and Mechanical Replacement Parts List

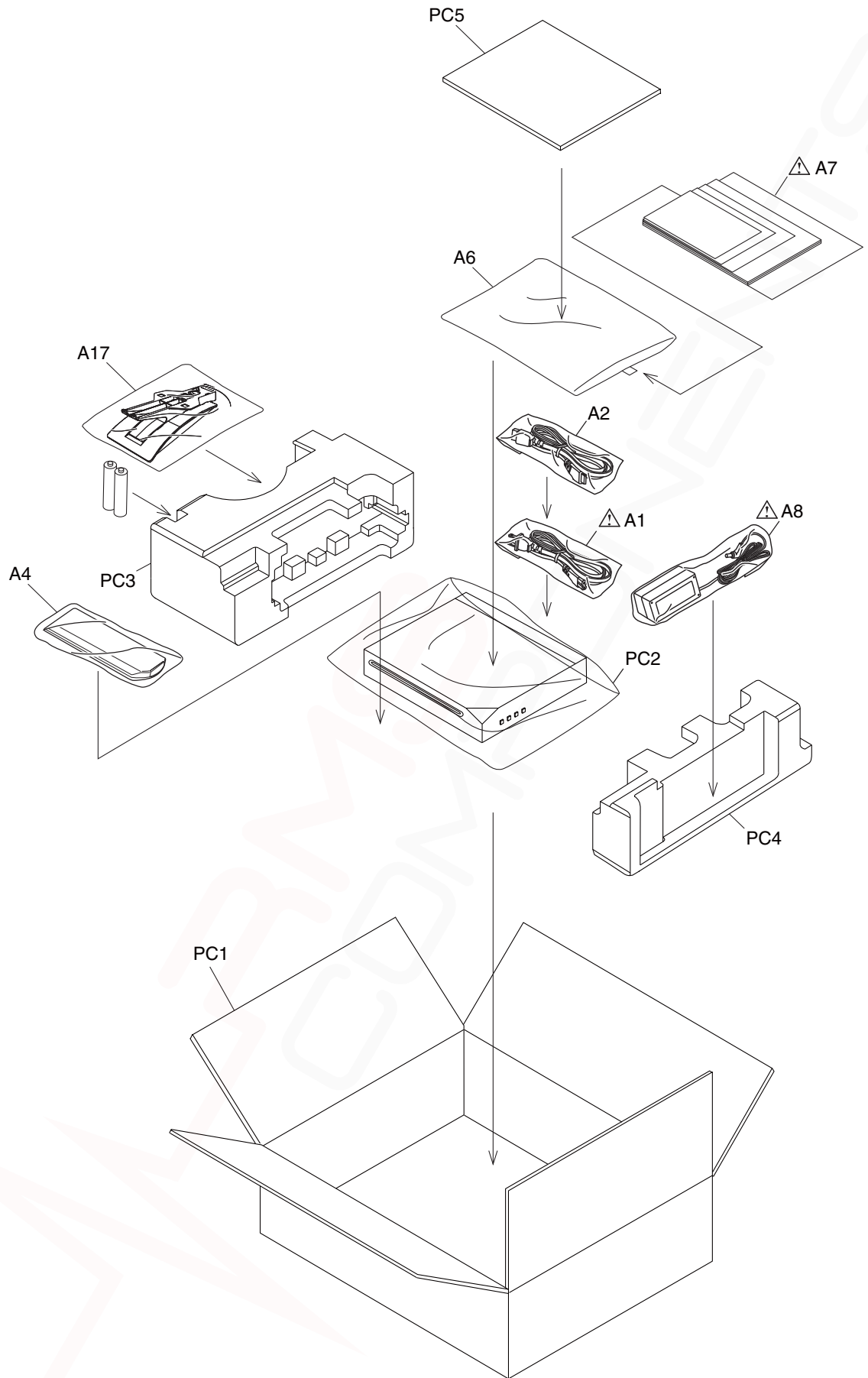
15.1.1. Casing Parts & Mechanism Section



15.1.2. Mechanism Section



15.1.3. Packing & Accessories Section



15.1.4. Mechanical Replacement Parts List

Notes:

*Important safety notice:

Components identified by \triangle mark have special characteristics important for safety.

Furthermore, special parts which have purposes of fire-retardant (resistors), high-quality sound (capacitors), low-noise (resistors), etc. are used.

When replacing any of components, be sure to use only manufacturer's specified parts shown in the parts list.

*Warning: This product uses a laser diode. Refer to caution statements.

*Capacity values are in microfarads (μ F) unless specified otherwise, P=Pico-farads (pF), F=Farads (F).

*Resistance values are in ohms, unless specified otherwise, 1K=1,000 (OHM), 1M=1,000k (OHM).

*The marking (RTL) indicates the retention time is limited for this item. After the discontinuation of this assembly in production, it will no longer be available.

**("IA)" marks in Remarks indicate languages of instruction manuals. [(IA): English]

*All parts are supplied by CHPAVC.

E.S.D. standards for Electrostatically Sensitive Devices, refer to "PREVENTION OF ELECTROSTATIC DISCHARGE (ESD) TO ELECTROSTATICALLY SENSITIVE (ES) DEVICES" section.

Notes:

*Parts indicated with "ADJ" in the Remarks column are necessary to adjustment value initialization adjust.

Safety	Ref. No.	Part No.	Part Name & Description	Pcs	Remarks
			CASING		
	1	RFKB76275ET	DIGITAL P.C.B.	1	E.S.D. ADJ
	2	VEP73206E	ETHER P.C.B.	1	(RTL) E.S.D.
	3	VXY2162	BD DRIVE	1	ADJ
	4	VEP70548A	LED P.C.B.	1	(RTL) E.S.D.
	5	VJB70552-1	TOUCH SW P.C.B.	1	E.S.D.
	6	VEP70572A	IR P.C.B.	1	(RTL) E.S.D.
	7	VEP76301A	INPUT_DIGI-NET P.C.B.	1	(RTL) E.S.D.
	8	C5ZZZ0000065	INTERNAL WIRELESS MODULE	1	
	9	VEE1L31	WLAN CABLE	1	
	10	RMA2381	SIDE BRACKET	1	
	11	RMX0490	PCB SUPPORT	1	
	12	RMZ1300	SUB PLATE	1	
	13	RSC1110	RADIATOR SHEET	1	
	15	RXQ2082	LED COVER ASS'Y	1	
	16	RYF0934-K	DOOR ASS'Y	1	
	16-1	RMG0909-K	ADHESIVE TAPE	1	
	16-2	RMG0909-K	ADHESIVE TAPE	1	
\triangle	17	RYK1708B-K	BOTTOM COVER ASS'Y	1	
	17-1	RKA0223-K	FOOT RUBBER	1	
	17-2	RKA0223-K	FOOT RUBBER	1	

Safety	Ref. No.	Part No.	Part Name & Description	Pcs	Remarks
	17-3	RKA0223-K	FOOT RUBBER	1	
	17-4	RKA0223-K	FOOT RUBBER	1	
	18	RYP1782-K	FRONT PANEL ASS'Y	1	
\triangle	19	RGN3238B-K	NAME LABEL	1	
	20	RFY0952B-K	TOP CASE ASS'Y	1	
	31	XSN3+4FJ	SCREW	1	
	32	XSN3+4FJ	SCREW	1	
	33	XTB26+4FFJ	SCREW	1	
	34	XTB26+4FFJ	SCREW	1	
	35	XTB26+4FFJ	SCREW	1	
	36	XTB26+4FFJ	SCREW	1	
	37	XTB26+4FFJ	SCREW	1	
	38	XTB26+4FFJ	SCREW	1	
	39	XTB26+4FFJ	SCREW	1	
	40	XTB26+4FFJ	SCREW	1	
	41	XTN26+4FFJ	SCREW	1	
	42	XTN26+4FFJ	SCREW	1	
	43	XTN17+6GFJK	SCREW	1	
	44	XTN17+6GFJK	SCREW	1	
	45	XTN17+6GFJK	SCREW	1	
	46	XTN17+6GFJK	SCREW	1	
	47	XTN17+6GFJK	SCREW	1	
	101	RHD20077	BASE SCREW	1	
	102	RHD20077	BASE SCREW	1	
	103	RHD20077	BASE SCREW	1	
	104	RHD20077	BASE SCREW	1	
	105	RMV0397	FRONT CUSHION	1	
	106	RMV0404	FRONT UPPER CUSHION	1	
	107	VMA0Y37	BOTTOM COVER	1	
	108	VMD6572	BEZEL	1	
	109	VMT2264	TRAY DOOR	1	
	110	VQL2P54	LASER CAUTION LABEL	1	
	111	VXA8993	TOP COVER ASS'Y	1	
	112	XTB2+4FFJ	SCREW	1	
	113	XTB2+4FFJ	SCREW	1	
	114	RHD17066-1	NUT PIECE SCREW	1	
	115	VXA8989	NUT PIECE ASS'Y	1	
	115-1	RMB0844	NUT PIECE SPRING	1	
	115-2	VMD6571	NUT PIECE	1	
\triangle	116	RAF3621A-C	OPU	1	
	117	VXA9034-SER	BD DRIVE ASS'Y (WITHOUT OPU)	1	
	117-1	RDV0077	BELT	1	
	117-2	RMU0097	SHAFT	1	
	117-3	RMU0097	SHAFT	1	
			ACCESSORY		
	A1	K2CJ2DA00014	AC CORD	1	
	A2	K1HY19YY0011	HDMI CABLE	1	
	A4	N2QAYB000713	REMOTE CONTROL UNIT	1	
	A6	RPFC0119-1	POLYETHYLENE BAG	1	
\triangle	A7	VQT3X48	OPERATING INSTRUCTIONS	1	(IA)
\triangle	A8	RFEA221W-1AB	AC ADAPTOR	1	
	A17	RFA3385	BOTTOM ASS'Y	1	
			PACKING		
	PC1	RYQ1067-Z	PACKING CASE	1	
	PC2	RPF0604	POLYETHYLENE BAG	1	
	PC3	RPN2447A-1	CUSHION (A)	1	
	PC4	RPN2447B-1	CUSHION (B)	1	
	PC5	RPQ2927	PAD	1	

15.2. Electrical Replacement Parts List

Notes:

*Important safety notice:

Components identified by Δ mark have special characteristics important for safety.

Furthermore, special parts which have purposes of fire-retardant (resistors), high-quality sound (capacitors), low-noise (resistors), etc. are used.

When replacing any of components, be sure to use only manufacturer's specified parts shown in the parts list.

*Warning: This product uses a laser diode. Refer to caution statements.

*Capacity values are in microfarads (μ F) unless specified otherwise, P=Pico-farads (pF), F=Farads (F).

*Resistance values are in ohms, unless specified otherwise, 1K=1,000 (OHM), 1M=1,000k (OHM).

*The marking (RTL) indicates the retention time is limited for this item. After the discontinuation of this assembly in production, it will no longer be available.

*All parts are supplied by CHPAVC.

E.S.D. standards for Electrostatically Sensitive Devices, refer to "PREVENTION OF ELECTROSTATIC DISCHARGE (ESD) TO ELECTROSTATICALLY SENSITIVE (ES) DEVICES" section.

Notes:

*Parts indicated with "ADJ" in the Remarks column are necessary to adjustment value initialization adjust.

Safety	Ref. No.	Part No.	Part Name & Description	Pcs	Remarks
		VEP70548A	LED P.C.B.		(RTL) E.S.D.
	BZ51901	L0DCYB000001	BUZZER	1	
	D51901	B3AAB0000389	DIODE	1	E.S.D.
	D51902	B3ABB0000386	DIODE	1	E.S.D.
	D51903	B3ACB0000243	DIODE	1	E.S.D.
	D51904	B3AEB0000114	DIODE	1	E.S.D.
	D51906	B3AAB0000389	DIODE	1	E.S.D.
	IR51921	B3RAD0000207	REMOTE SENSOR	1	
	QR51901	B1GBCFEN0015	TRANSISTOR	1	E.S.D.
	QR51902	B1GBCFEN0015	TRANSISTOR	1	E.S.D.
	QR51903	B1GBCFEN0015	TRANSISTOR	1	E.S.D.
	R51901	ERJ6GEYJ751V	1/10W 750	1	
	R51902	ERJ8GEYJ301V	1/8W 300	1	
	R51903	ERJ6GEYJ391V	1/10W 390	1	
	R51904	ERJ6GEYJ391V	1/10W 390	1	
	R51905	ERJ6GEYJ751V	1/10W 750	1	
	P51901	K1KA10BA0206	CONNECTOR (10P)	1	
	ZB51901	RMN1031	LED COVER	1	
		VEP70572A	IR P.C.B.		(RTL) E.S.D.
	C51921	F1H1A105A028	10V 1U	1	
	D51921	B3AEB0000114	DIODE	1	E.S.D.
	D51922	B3AAB0000316	DIODE	1	E.S.D.
	P51921	K1KA10BA0206	CONNECTOR (10P)	1	

Safety	Ref. No.	Part No.	Part Name & Description	Pcs	Remarks
	QR51921	B1GBCFEN0015	TRANSISTOR	1	E.S.D.
	R51922	ERJ6GEYJ391V	1/10W 390	1	
	R51923	ERJ3GEYJ330V	1/10W 33	1	
		VEP76301A	INPUT_DIGI-NET P.C.B.		(RTL) E.S.D.
	C58005	F1H1C104A041	16V 0.1U	1	
	C58006	F1H1E104A002	25V 0.1U	1	
	C58008	F1H1A105A028	10V 1U	1	
	C58015	F1H1A105A028	10V 1U	1	
	C58016	F1G1E102A086	25V 1000P	1	
	C58023	F1H1E104A002	25V 0.1U	1	
	C58024	F1J1C1060001	16V 10U	1	
	C58025	F1J1C1060001	16V 10U	1	
	C58031	F1J1A1060011	6.3V 10U	1	
	C58032	F1J1A1060011	6.3V 10U	1	
	C58033	F1J1A1060011	6.3V 10U	1	
	C58035	F1G1E6820007	25V 6800P	1	
	C58036	F1G1E222A086	25V 2200P	1	
	C58043	F1H1E104A002	25V 0.1U	1	
	C58050	F1H1A105A028	10V 1U	1	
	C58067	F1H1E104A002	25V 0.1U	1	
	C58071	F1J1C1060001	16V 10U	1	
	C58072	F1J1C1060001	16V 10U	1	
	C58074	F1H1E104A002	25V 0.1U	1	
	C58075	F1J1C1060001	16V 10U	1	
	C58076	F1J1C1060001	16V 10U	1	
	C58077	F1H1E104A002	25V 0.1U	1	
	C58078	F1H1E104A002	25V 0.1U	1	
	C58084	F1J0J226A014	6.3V 22U	1	
	C58085	F1J0J226A014	6.3V 22U	1	
	C58086	F1H1A105A028	10V 1U	1	
	C58088	F1J1C1060001	16V 10U	1	
	C58089	F1J1A1060011	6.3V 10U	1	
	C58090	F1J1A1060011	6.3V 10U	1	
	C58096	F1J0J226A014	6.3V 22U	1	
	C58097	F1J0J226A014	6.3V 22U	1	
	C58100	F1G1E102A086	25V 1000P	1	
	C58101	F1G1E102A086	25V 1000P	1	
	C58102	F1G1E102A086	25V 1000P	1	
	C58143	F1G0J224A001	6.3V 0.22U	1	
	C58215	F1H1A105A028	10V 1U	1	
	C58216	F1G1E102A086	25V 1000P	1	
	C58315	F1H1A105A028	10V 1U	1	
	C58316	F1G1E102A086	25V 1000P	1	
	C58323	F1H1E104A002	25V 0.1U	1	
	C58324	F1J1C1060001	16V 10U	1	
	C58325	F1J1C1060001	16V 10U	1	
	C58331	F1J1A1060011	6.3V 10U	1	
	C58332	F1J1A1060011	6.3V 10U	1	
	C58333	F1J1A1060011	6.3V 10U	1	
	C58343	F1H1E104A002	25V 0.1U	1	
	C58350	F1G1E102A086	25V 1000P	1	
	C58351	F1G1E102A086	25V 1000P	1	
	C58352	F1G1E102A086	25V 1000P	1	
	D58001	B0BC013A0007	DIODE	1	E.S.D.
	IC58003	C0DBAYY00903	IC	1	E.S.D.
	IC58004	C0DBAYY00903	IC	1	E.S.D.
	IC58005	C0DBAYY00903	IC	1	E.S.D.
	IC58302	C0DBGYY01974	IC	1	E.S.D.
	IC58303	C0DBAYY01285	IC	1	E.S.D.
Δ	IP58001	ERBRE2R50V	IC PROTECTOR	1	
Δ	IP58002	ERBRE2R50V	IC PROTECTOR	1	
	JK58001	K2ED2B000009	DC INLET	1	
	L58001	G1C4R7Z00014	COIL	1	

Safety	Ref. No.	Part No.	Part Name & Description	Pcs	Remarks
	L58004	G1C3R3Z00005	COIL	1	
	L58005	G1C3R3Z00005	COIL	1	
	P58002	K1KY09AA0606	CONNECTOR (9P)	1	
	Q58001	B1ABDF000026	TRANSISTOR	1	E.S.D.
	Q58002	B1DGDC000002	TRANSISTOR	1	E.S.D.
	Q58006	B1DGDC000002	TRANSISTOR	1	E.S.D.
	QR58001	B1GBCFNN0041	TRANSISTOR	1	E.S.D.
	QR58002	B1GBCFNN0041	TRANSISTOR	1	E.S.D.
	R58001	ERJ3GEYJ100V	1/10W 10	1	
	R58002	ERJ3GEYJ472V	1/10W 4.7K	1	
	R58003	ERJ3GEYJ100V	1/10W 10	1	
	R58004	ERJ3GEYJ472V	1/10W 4.7K	1	
	R58005	ERJ3GEYJ473V	1/10W 47K	1	
	R58006	ERJ3GEYJ104V	1/10W 100K	1	
	R58007	ERJ3GEYJ473V	1/10W 47K	1	
	R58008	ERJ2GEJ101X	1/16W 100	1	
	R58019	ERJ2RHD223X	1/16W 22K	1	
	R58020	ERJ2RHD223X	1/16W 22K	1	
	R58024	ERJ2RHD152X	1/16W 1.5K	1	
	R58026	ERJ2GE0R00X	1/16W 0	1	
	R58030	ERJ2RHD223X	1/16W 22K	1	
	R58031	ERJ2RHD123X	1/16W 12K	1	
	R58036	ERJ3GEYJ100V	1/10W 10	1	
	R58049	ERJ2RHD683X	1/16W 68K	1	
	R58052	ERJ2RHD472X	1/16W 4.7K	1	
	R58053	ERJ2RHD223X	1/16W 22K	1	
	R58101	ERJ2GEJ103X	1/16W 10K	1	
	R58336	ERJ3GEYJ100V	1/10W 10	1	
	R58349	ERJ2RHD273X	1/16W 27K	1	
	R58352	ERJ2RKD124X	1/16W 120K	1	
	R58353	ERJ2RHD223X	1/16W 22K	1	
	SW58001	K0C111Z00001	SWITCH	1	
	■	VEP73206E	ETHER P.C.B.		(RTL) E.S.D.
	C58223	F1H1E104A002	25V 0.1U	1	
	C58224	F1J1C1060001	16V 10U	1	
	C58225	F1J1C1060001	16V 10U	1	
	C58231	F1J1A1060011	6.3V 10U	1	
	C58232	F1J1A1060011	6.3V 10U	1	
	C58233	F1J1A1060011	6.3V 10U	1	
	C58234	F1J1A1060011	6.3V 10U	1	
	C58243	F1H1E104A002	25V 0.1U	1	
	C59301	F1G1H100A565	50V 10P	1	
	C59302	F1G1H100A565	50V 10P	1	
	C59303	F1G1A104A058	10V 0.1U	1	
	C59304	F1J0J106A020	6.3V 10U	1	
	C59305	F1G1A104A058	10V 0.1U	1	
	C59306	F1J0J106A020	6.3V 10U	1	
	C59307	F1J0J106A020	6.3V 10U	1	
	C59308	F1G1A104A058	10V 0.1U	1	
	C59309	F1J0J106A020	6.3V 10U	1	
	C59310	F1G1A104A058	10V 0.1U	1	
	C59311	F1G1A104A058	10V 0.1U	1	
	C59312	F1G1A104A058	10V 0.1U	1	
	C59313	F1H1A105A028	10V 1U	1	
	C59314	F1G1A104A058	10V 0.1U	1	
	C59315	F1J1A1060011	6.3V 10U	1	
	C59316	F1J1A1060011	6.3V 10U	1	
	C59319	F1G1A104A058	10V 0.1U	1	
	C59324	F1J1A1060011	6.3V 10U	1	
	C59339	F1G1A104A058	10V 0.1U	1	
	C59343	F1J1A1060011	6.3V 10U	1	
	C59344	F1J1A1060011	6.3V 10U	1	
	C59346	F1J1A1060011	6.3V 10U	1	
	C59347	F1G1A104A058	10V 0.1U	1	

Safety	Ref. No.	Part No.	Part Name & Description	Pcs	Remarks
	IC58203	C0DBAY01285	IC	1	E.S.D.
	IC59303	C0DBZYY00482	IC	1	E.S.D.
	IC59304	C0DBZHE00026	IC	1	E.S.D.
	IC59305	C1CB00002807	IC	1	E.S.D.
	L58201	G1C4R7MA0535	COIL	1	
	L58301	G1C4R7Z00014	COIL	1	
	LB59303	J0JGC0000020	COIL	1	
	LB59304	J0JGC0000020	COIL	1	
	LB59306	J0JGC0000070	COIL	1	
	P59301	K1FY104B0074	JACK USB	1	
	P59303	K1KA04BA0047	CONNECTOR (4P)	1	
	R58219	ERJ6GEYJ221V	1/10W 220	1	
	R58236	ERJ3GEYJ100V	1/10W 10	1	
	R58249	ERJ2RHD472X	1/16W 4.7K	1	
	R58252	ERJ2RKD124X	1/16W 120K	1	
	R58253	ERJ2RHD223X	1/16W 22K	1	
	R59311	ERJ2GE0R00X	1/16W 0	1	
	R59312	ERJ2GEJ103X	1/16W 10K	1	
	R59313	ERJ2RHD242X	1/16W 2.4K	1	
	R59315	ERJ2RKD300X	1/16W 30	1	
	R59316	ERJ2GEJ103X	1/16W 10K	1	
	R59353	ERJ2GE0R00X	1/16W 0	1	
	R59354	ERJ2GE0R00X	1/16W 0	1	
	RX59302	D1H84734A024	RESISTOR-RESISTOR	1	
	T59301	EXC24CE900U	TRANSFORMER	1	
	T59302	EXC24CE900U	TRANSFORMER	1	
	■	RFKB76275ET	DIGITAL P.C.B.		E.S.D. ADJ
	C51001	F1H0J475A010	6.3V 4.7U	1	
	C51002	F1H0J475A010	6.3V 4.7U	1	
	C51003	F1G1A104A058	10V 0.1U	1	
	C51004	F1G1A104A058	10V 0.1U	1	
	C51005	F1G1A104A058	10V 0.1U	1	
	C51006	F1G1A104A058	10V 0.1U	1	
	C51007	F1G1A104A058	10V 0.1U	1	
	C51008	F1G1A104A058	10V 0.1U	1	
	C51015	F1H0J475A010	6.3V 4.7U	1	
	C51016	F1G1A104A058	10V 0.1U	1	
	C51017	F1G1A104A058	10V 0.1U	1	
	C51019	F1G0J4740003	6.3V 0.47U	1	
	C51022	F1G1A104A058	10V 0.1U	1	
	C51023	F1G1E1030005	25V 0.01U	1	
	C51030	F1H0J475A010	6.3V 4.7U	1	
	C51031	F1G1A104A058	10V 0.1U	1	
	C51032	F1G1A104A058	10V 0.1U	1	
	C51033	F1G1A104A058	10V 0.1U	1	
	C51034	F1G1A104A058	10V 0.1U	1	
	C51035	F1G1A104A058	10V 0.1U	1	
	C51036	F1G1A104A058	10V 0.1U	1	
	C51037	F1G1A104A058	10V 0.1U	1	
	C51038	F1G1A104A058	10V 0.1U	1	
	C51039	F1G1E102A086	25V 1000P	1	
	C51046	F1H0J475A010	6.3V 4.7U	1	
	C51048	F1G1A104A058	10V 0.1U	1	
	C51049	F1G1A104A058	10V 0.1U	1	
	C51050	F1G1A104A058	10V 0.1U	1	
	C51052	F1G1A104A058	10V 0.1U	1	
	C51053	F1G1A104A058	10V 0.1U	1	
	C51054	F1G1A104A058	10V 0.1U	1	
	C51055	F1G1A104A058	10V 0.1U	1	
	C51056	F1G1A104A058	10V 0.1U	1	
	C51057	F1G1A104A058	10V 0.1U	1	
	C51058	F1G1A104A058	10V 0.1U	1	
	C51059	F1G1A104A058	10V 0.1U	1	
	C51060	F1G1A104A058	10V 0.1U	1	

Safety	Ref. No.	Part No.	Part Name & Description	Pcs	Remarks
	C51062	F1G1A104A058	10V 0.1U	1	
	C51063	F1H0J475A010	6.3V 4.7U	1	
	C51064	F1G1A104A058	10V 0.1U	1	
	C51065	F1G1A104A058	10V 0.1U	1	
	C51067	F1G1A104A058	10V 0.1U	1	
	C51068	F1H0J225A005	6.3V 2.2U	1	
	C51069	F1G1E1030005	25V 0.01U	1	
	C51070	F1G1H180A565	50V 18P	1	
	C51071	F1G1H120A565	50V 12P	1	
	C51073	F1G1A104A058	10V 0.1U	1	
	C51074	F1H0J225A005	6.3V 2.2U	1	
	C51075	F1H0J225A005	6.3V 2.2U	1	
	C51076	F1G1E1030005	25V 0.01U	1	
	C51077	F1G1A104A058	10V 0.1U	1	
	C51078	F1G1A104A058	10V 0.1U	1	
	C51079	F1G1A104A058	10V 0.1U	1	
	C51080	F1G1A104A058	10V 0.1U	1	
	C51081	F1H0J225A005	6.3V 2.2U	1	
	C51082	F1G1E1030005	25V 0.01U	1	
	C52003	F1G1A104A058	10V 0.1U	1	
	C52004	F1G1A104A058	10V 0.1U	1	
	C52005	F1J0J106A020	6.3V 10U	1	
	C52006	F1J0J106A020	6.3V 10U	1	
	C52007	F1G1A104A058	10V 0.1U	1	
	C52008	F1G1A104A058	10V 0.1U	1	
	C52009	F1G1A104A058	10V 0.1U	1	
	C52010	F1G1A104A058	10V 0.1U	1	
	C52011	F1G1E102A086	25V 1000P	1	
	C52013	F1G1A104A058	10V 0.1U	1	
	C52014	F1G1A104A058	10V 0.1U	1	
	C52015	F1G1A104A058	10V 0.1U	1	
	C52016	F1G1A104A058	10V 0.1U	1	
	C52017	F1J0J106A020	6.3V 10U	1	
	C52018	F1H0J475A010	6.3V 4.7U	1	
	C52019	F1G1A104A058	10V 0.1U	1	
	C52020	F1G1A104A058	10V 0.1U	1	
	C52021	F1G1A104A058	10V 0.1U	1	
	C52022	F1G1A104A058	10V 0.1U	1	
	C52024	F1G1E102A086	25V 1000P	1	
	C52025	F1G1A104A058	10V 0.1U	1	
	C52026	F1G1A104A058	10V 0.1U	1	
	C52027	F1G1A104A058	10V 0.1U	1	
	C52028	F1G1A104A058	10V 0.1U	1	
	C52029	F1G1A104A058	10V 0.1U	1	
	C52030	F1G1A104A058	10V 0.1U	1	
	C52037	F1G1A104A058	10V 0.1U	1	
	C52038	F1G1E102A086	25V 1000P	1	
	C52040	F1G1E102A086	25V 1000P	1	
	C52044	F1H0J475A010	6.3V 4.7U	1	
	C53019	F1G0J1050007	6.3V 1U	1	
	C55012	F1J1A106A024	10V 10U	1	
	C55013	F1G1A1040006	10V 0.1U	1	
	C55015	F1J1C106A059	16V 10U	1	
	C55017	F1J1E104A137	25V 0.1U	1	
	C55024	F1J0J2260004	6.3V 22U	1	
	C55027	F1G1C104A077	16V 0.1U	1	
	C55028	F1J1A106A024	10V 10U	1	
	C55029	F1J1C106A059	16V 10U	1	
	C55033	F1J0J2260004	6.3V 22U	1	
	C55034	F1J0J2260004	6.3V 22U	1	
	C55035	F1J0J2260004	6.3V 22U	1	
	C55036	F1J0J2260004	6.3V 22U	1	
	C55037	F1J0J2260004	6.3V 22U	1	
	C55038	F1J0J2260004	6.3V 22U	1	
	C55039	F1J0J2260004	6.3V 22U	1	
	C55040	F1J0J2260004	6.3V 22U	1	
	C55041	F1J0J2260004	6.3V 22U	1	
	C55042	F1J0J2260004	6.3V 22U	1	
	C55043	F1J0J2260004	6.3V 22U	1	
	C55052	F1J0J2260004	6.3V 22U	1	
	C55053	F1G1E102A086	25V 1000P	1	
	C55054	F1G1E102A086	25V 1000P	1	
	C55055	F1G1C104A077	16V 0.1U	1	

Safety	Ref. No.	Part No.	Part Name & Description	Pcs	Remarks
	C55057	F1G1C822A081	16V 8200P	1	
	C55058	F1G1C822A081	16V 8200P	1	
	C55059	F1G1C822A081	16V 8200P	1	
	C55063	F1J1E104A137	25V 0.1U	1	
	C55065	F1H0J2250008	6.3V 2.2U	1	
	C55067	F1J1E104A137	25V 0.1U	1	
	C55068	F1G1A1040006	10V 0.1U	1	
	C55070	F1G1C104A077	16V 0.1U	1	
	C55071	F1G1C104A077	16V 0.1U	1	
	C55079	F1J1C106A059	16V 10U	1	
	C55081	F1J1C106A059	16V 10U	1	
	C55083	F1G1C104A077	16V 0.1U	1	
	C55084	F1J1C475A059	16V 4.7U	1	
	C55086	F1H0J4750004	6.3V 4.7U	1	
	C55087	F1G1E222A086	25V 2200P	1	
	C55089	F1G0J1050007	6.3V 1U	1	
	C55095	F1G0J1050007	6.3V 1U	1	
	C55096	F1G0J1050007	6.3V 1U	1	
	C55097	F1G0J1050007	6.3V 1U	1	
	C55099	F1G1A823A032	10V 82000P	1	
	C55102	F1G1A104A012	10V 0.1U	1	
	C55103	F1G1A104A012	10V 0.1U	1	
	C55104	F1G1C822A081	16V 8200P	1	
	C55105	F1G1A333A032	10V 33000P	1	
	C55113	F1J1A106A024	10V 10U	1	
	C55115	F1J1C106A059	16V 10U	1	
	C55117	F1J0J2260004	6.3V 22U	1	
	C55120	F1G1E102A086	25V 1000P	1	
	C55121	F1G1E102A086	25V 1000P	1	
	C55122	F1G1E102A086	25V 1000P	1	
	C55123	F1G1H1010001	50V 100P	1	
	C55124	F1G1H1010001	50V 100P	1	
	C55125	F1G1H1010001	50V 100P	1	
	C55134	F1G0J105A031	6.3V 1U	1	
	C55142	F1J0J225A004	6.3V 2.2U	1	
	C55151	F1G1H1010001	50V 100P	1	
	C55186	F1J1C475A059	16V 4.7U	1	
	C55187	F1G1A1040006	10V 0.1U	1	
	C55190	F1G1E102A086	25V 1000P	1	
	C55202	F1G1H100A565	50V 10P	1	
	C55250	F1J1C106A059	16V 10U	1	
	C55251	F1J1C106A059	16V 10U	1	
	C55355	F1H1A105A036	10V 1U	1	
	C55400	F1G1A104A012	10V 0.1U	1	
	C55403	F1G1H1010001	50V 100P	1	
	C55404	F1G1H1010001	50V 100P	1	
	C55406	F1G1E1020001	25V 1000P	1	
	C55413	F1J0J2260004	6.3V 22U	1	
	C56342	F1H1A105A028	10V 1U	1	
	C56343	F1G0J1050007	6.3V 1U	1	
	C57005	F1G1A1040006	10V 0.1U	1	
	C57006	F1G0J1050007	6.3V 1U	1	
	C57007	F1G0J1050007	6.3V 1U	1	
	C57008	F1G0J1050007	6.3V 1U	1	
	C57010	F1G1A1040006	10V 0.1U	1	
	C57011	F1G1A1040006	10V 0.1U	1	
	C57014	F1G1H1010001	50V 100P	1	
	C57017	F1H1C104A071	16V 0.1U	1	
	C57020	F1H1A105A028	10V 1U	1	
	C57048	F1G1A1040006	10V 0.1U	1	
	C57101	F1G1A104A058	10V 0.1U	1	
	C57102	F1G1E102A086	25V 1000P	1	
	C57103	F1H0J475A010	6.3V 4.7U	1	
	C57501	F1H1C104A071	16V 0.1U	1	
	C57502	F1H1C104A071	16V 0.1U	1	
	C59001	F1J0J226A014	6.3V 22U	1	
	C59002	F1G1A1040006	10V 0.1U	1	
	C59003	F1G1H1010001	50V 100P	1	
	C59010	F1G1A1040006	10V 0.1U	1	
	C59014	F1G1A104A058	10V 0.1U	1	
	C59015	F1G1A104A058	10V 0.1U	1	
	C59601	F1G1A104A058	10V 0.1U	1	
	C59602	F1G1E102A086	25V 1000P	1	

Safety	Ref. No.	Part No.	Part Name & Description	Pcs	Remarks
	C59603	F1G1E102A086	25V 1000P	1	
	C59605	F1H1H102A013	50V 1000P	1	
	C59606	F1J0J226A014	6.3V 22U	1	
	D55400	DB2S31100L	DIODE	1	E. S. D.
	FL59601	J0MAB0000146	FILTER	1	
	IC51001	RFRB76275ET	IC	1	E. S. D.
	IC51301	RFRB76275ET	IC	1	E. S. D.
	IC52001	C3ABUY000007	IC	1	E. S. D.
	IC52002	C3ABUY000007	IC	1	E. S. D.
	IC53002	K7JAAAB00001	IC	1	E. S. D.
	IC55004	AN41226A-VFP	IC	1	E. S. D.
	IC55006	C0CBCYG00004	IC	1	E. S. D.
	IC55300	C0CBCDD00025	IC	1	E. S. D.
	IC56302	C0CBCDC00074	IC	1	E. S. D.
	IC57002	C0EBK0000206	IC	1	E. S. D.
	IC57003	C0DBGFC00051	IC	1	E. S. D.
	IC57005	C0EBK0000206	IC	1	E. S. D.
	IC57006	C0CBCBC00227	IC	1	E. S. D.
	IC57101	C0JBAR000432	IC	1	E. S. D.
	IC57501	C0ZBZ0001834	IC	1	E. S. D.
	IC59020	C1CB00003704	IC	1	E. S. D.
△	IP55004	K5H252Z00003	SURFACE MOUNTING FUSE	1	
△	IP55005	K5H252Z00003	SURFACE MOUNTING FUSE	1	
	IR57101	B3RAD0000206	REMOTE SENSOR	1	
	JK56301	K1FY119E0025	JACK HDMI	1	
	JK59001	K2LZ912B0001	JACK LAN	1	
	L55001	G1C220MA0291	COIL	1	
	L55003	G1C100KA0101	COIL	1	
	L55006	G1C100KA0101	COIL	1	
	L56301	J0MAB0000241	FILTERS FOR EMI/EMC	1	
	L56302	J0MAB0000241	FILTERS FOR EMI/EMC	1	
	L59601	J0MAB0000241	COIL	1	
	LB51001	J0JKC0000021	COIL	1	
	LB51003	J0JKC0000021	COIL	1	
	LB51004	J0JCC0000287	COIL	1	
	LB51006	J0JCC0000287	COIL	1	
	LB51007	J0JKC0000021	COIL	1	
	LB51009	J0JCC0000287	COIL	1	
	LB51010	J0JKC0000021	COIL	1	
	LB51013	J0JYC0000070	COIL	1	
	LB51014	J0JCC0000287	COIL	1	
	LB51016	J0JCC0000287	COIL	1	
	LB51017	J0JCC0000287	COIL	1	
	LB51019	J0JCC0000287	COIL	1	
	LB51020	J0JYC0000070	COIL	1	
	LB51021	J0JCC0000287	COIL	1	
	LB51022	J0JCC0000287	COIL	1	
	LB55001	J0JJC0000005	COIL	1	
	LB55002	J0JJC0000005	COIL	1	
	LB55400	J0JJC0000016	COIL	1	
	LB55401	J0JJC0000016	COIL	1	
	LB56001	J0JYC0000070	COIL	1	
	LB59001	J0JJC0000020	COIL	1	
	LB59602	J0JYC0000070	COIL	1	
	LB59603	J0JHC0000045	COIL	1	
	P51601	K1KA06AA0083	CONNECTOR (6P)	1	
	P51701	K1KB10A00120	CONNECTOR (10P)	1	
	P51702	K1KB10A00120	CONNECTOR (10P)	1	
	P55006	K1MN45B00027	CONNECTOR (45P)	1	
	P55011	K1MY05BA0041	CONNECTOR (5P)	1	
	P55400	K1MN04AA0046	CONNECTOR (4P)	1	

Safety	Ref. No.	Part No.	Part Name & Description	Pcs	Remarks
	P55401	K1MY08BA0041	CONNECTOR (8P)	1	
	P55402	K1KA02BA0014	CONNECTOR (2P)	1	
	P57501	K1MN04AA0046	CONNECTOR (4P)	1	
	P58001	K1KY09AA0607	CONNECTOR (9P)	1	
	P59601	K1NA09E00098	JACK USB	1	
	P59602	K1YG30000001	CONNECTOR (30P)	1	
	P59603	K1YY30000001	CONNECTOR (30P)	1	
	Q56301	B1CBGD000001	TRANSISTOR	1	E. S. D.
	Q57501	B1ABDF000033	TRANSISTOR	1	E. S. D.
	Q57502	B1ABDF000026	TRANSISTOR	1	E. S. D.
	QR55408	DRC5143T0L	TRANSISTOR	1	E. S. D.
	QR55409	DRC5143T0L	TRANSISTOR	1	E. S. D.
	QR55410	DRC5143T0L	TRANSISTOR	1	E. S. D.
	QR55411	DRC5143T0L	TRANSISTOR	1	E. S. D.
	QR57501	B1GBCFJ00040	TRANSISTOR	1	E. S. D.
	QR57502	B1GBCFEN0015	TRANSISTOR	1	E. S. D.
	R51006	ERJ2GEJ105X	1/16W 1M	1	
	R51007	ERJ2GEJ104X	1/16W 100K	1	
	R51019	ERJ2GEJ561X	1/16W 560	1	
	R51024	ERJ2RKF5601X	1/16W 5.6K	1	
	R51026	ERJ2RKF5601X	1/16W 5.6K	1	
	R51028	ERJ2GEJ4R7X	1/16W 4.7	1	
	R51315	ERJ2GEJ103X	1/16W 10K	1	
	R51316	ERJ2GEJ473X	1/16W 47K	1	
	R51317	ERJ2GEJ103X	1/16W 10K	1	
	R52001	ERJ2RKF2700X	1/16W 270	1	
	R52002	ERJ2RKF2700X	1/16W 270	1	
	R52003	ERJ2RKF2700X	1/16W 270	1	
	R52004	ERJ2RKF2700X	1/16W 270	1	
	R52007	ERJ2RKF2700X	1/16W 270	1	
	R52008	ERJ2RKF2700X	1/16W 270	1	
	R52009	ERJ2RKF2400X	1/16W 240	1	
	R52010	ERJ2GEJ221X	1/16W 220	1	
	R52011	ERJ2RKF2700X	1/16W 270	1	
	R52012	ERJ2RKF2700X	1/16W 270	1	
	R52013	ERJ2RKF2400X	1/16W 240	1	
	R52014	ERJ2GEJ221X	1/16W 220	1	
	R52015	ERJ2GEJ103X	1/16W 10K	1	
	R52018	ERJ2GE0R00X	1/16W 0	1	
	R52019	ERJ2GE0R00X	1/16W 0	1	
	R52020	ERJ2RKF1001X	1/16W 1K	1	
	R52021	ERJ2RKF1001X	1/16W 1K	1	
	R52022	ERJ2RHD241X	1/16W 240	1	
	R52023	ERJ2GEJ103X	1/16W 10K	1	
	R55003	ERJ2GEJ472X	1/16W 4.7K	1	
	R55005	ERJ2GEJ333X	1/16W 33K	1	
	R55021	ERJ3EKF2201V	1/16W 2.2K	1	
	R55023	ERJ3EKF5101V	1/16W 5.1K	1	
	R55059	ERJ2GEJ272X	1/16W 2.7K	1	
	R55060	ERJ2GEJ472X	1/16W 4.7K	1	
	R55061	ERJ2GEJ103X	1/16W 10K	1	
	R55062	ERJ2GEJ223X	1/16W 22K	1	
	R55063	ERJ2GEJ303X	1/16W 30K	1	
	R55064	ERJ2GEJ303X	1/16W 30K	1	
	R55065	ERJ2GEJ303X	1/16W 30K	1	
	R55066	ERJ2GEJ561X	1/16W 560	1	
	R55067	ERJ2GEJ561X	1/16W 560	1	
	R55068	ERJ2GEJ561X	1/16W 560	1	
	R55069	ERJ2GEJ153X	1/16W 15K	1	
	R55070	ERJ2GEJ153X	1/16W 15K	1	
	R55071	ERJ2GEJ153X	1/16W 15K	1	
	R55079	ERJ2GEJ103X	1/16W 10K	1	
	R55084	ERJ8RQF1R8V	1/8W 1.8	1	
	R55085	ERJ8RQF1R8V	1/8W 1.8	1	
	R55086	ERJ8RQF1R8V	1/8W 1.8	1	
	R55127	ERJ2RHD103X	1/16W 10K	1	
	R55131	ERJ2GE0R00X	1/16W 0	1	
	R55132	ERJ2GEJ221X	1/16W 220	1	
	R55133	ERJ2GE0R00X	1/16W 0	1	
	R55135	ERJ2GE0R00X	1/16W 0	1	

Safety	Ref. No.	Part No.	Part Name & Description	Pcs	Remarks
	R55216	ERJ2GEJ103X	1/16W 10K	1	
	R55400	ERJ2GEJ103X	1/16W 10K	1	
	R55403	ERJ3GEY0R00V	1/10W 0	1	
	R55440	ERJ2GEJ473X	1/16W 47K	1	
	R55450	ERJ2GEJ201X	1/16W 200	1	
	R55451	ERJ2GEJ201X	1/16W 200	1	
	R55456	ERJ2GEJ104X	1/16W 100K	1	
	R55461	ERJ2GEJ202X	1/16W 2.2K	1	
	R55464	ERJ2GEJ103X	1/16W 10K	1	
	R55470	ERJ2GEJ103X	1/16W 10K	1	
	R55471	ERJ2GEJ202X	1/16W 2.2K	1	
	R55472	ERJ2GEJ202X	1/16W 2.2K	1	
	R56301	ERJ2GEJ103X	1/16W 10K	1	
	R56302	ERJ2GEJ471X	1/16W 470	1	
	R56308	ERJ2GEJ273X	1/16W 27K	1	
	R57001	ERJ2GEJ103X	1/16W 10K	1	
	R57003	ERJ2GEJ473X	1/16W 47K	1	
	R57051	ERJ2GEJ203X	1/16W 20K	1	
	R57052	ERJ2GEJ333X	1/16W 33K	1	
	R57062	ERJ2GEOR00X	1/16W 0	1	
	R57063	ERJ2GEJ433X	1/16W 43K	1	
	R57101	ERJ2GEOR00X	1/16W 0	1	
	R57102	ERJ2GEJ560X	1/16W 56	1	
	R57103	ERJ2GEJ560X	1/16W 56	1	
	R57104	ERJ2GEJ103X	1/16W 10K	1	
	R57105	ERJ3GEYJ330V	1/10W 33	1	
	R57501	ERJ2GEJ102X	1/16W 1K	1	
	R57502	ERJ2GEJ103X	1/16W 10K	1	
	R57503	ERJ2GEJ103X	1/16W 10K	1	
	R57504	ERJ3GEYJ272V	1/10W 2.7K	1	
	R57505	ERJ3GEYJ272V	1/10W 2.7K	1	
	R57506	ERJ3GEYJ103V	1/10W 10K	1	
	R57507	ERJ2GEJ562X	1/16W 5.6K	1	
	R57508	ERJ2GEJ473X	1/16W 47K	1	
	R57509	ERJ6GEYJ102V	1/10W 1K	1	
	R57510	ERJ3GEYJ510V	1/10W 51	1	
	R57511	ERJ2GEJ332X	1/16W 3.3K	1	
	R57512	ERJ2GEJ332X	1/16W 3.3K	1	
	R57513	ERJ3GEYJ4R7V	1/10W 4.7	1	
	R57514	ERJ3GEY0R00V	1/10W 0	1	
	R57515	ERJ3GEY0R00V	1/10W 0	1	
	R57516	ERJ2GEOR00X	1/16W 0	1	
	R57519	ERJ2GEOR00X	1/16W 0	1	
	R57520	ERJ6GEYJ391V	1/10W 390	1	
	R59009	ERJ2GEJ330X	1/10W 33	1	
	R59015	D1BA2491A014	1/32W 490	1	
	R59020	ERJ2GEJ330X	1/10W 33	1	
	R59601	ERJ2GEJ820X	1/16W 82	1	
	R59602	ERJ2GEJ101X	1/16W 100	1	
	R59603	ERJ2GEJ390X	1/16W 39	1	
	R59606	ERJ3GEYJ1R0V	1/10W 1	1	
	R59611	ERJ3GEYJ1R0V	1/10W 1	1	
	R59612	ERJ3GEYJ1R0V	1/10W 1	1	
	R59701	ERJ2GEJ103X	1/16W 10K	1	
	R59704	ERJ2GEJ103X	1/16W 10K	1	
	R59706	ERJ2GEJ103X	1/16W 10K	1	
	R59707	ERJ2GEJ103X	1/16W 10K	1	
	RX51306	D1H84724A024	RESISTOR-RESISTOR	1	
	RX51311	D1H81014A024	RESISTOR-RESISTOR	1	
	RX51312	D1H81014A024	RESISTOR-RESISTOR	1	
	RX51313	D1H84724A024	RESISTOR-RESISTOR	1	
	RX51315	D1H81034A024	RESISTOR-RESISTOR	1	
	RX51316	D1H81034A024	RESISTOR-RESISTOR	1	
	RX55005	D1H81034A024	RESISTOR-RESISTOR	1	
	RX55010	D1H81034A024	RESISTOR-RESISTOR	1	
	RX55011	D1H83334A024	RESISTOR-RESISTOR	1	
	RX55012	D1H83334A024	RESISTOR-RESISTOR	1	
	RX55031	D1H81034A024	RESISTOR-RESISTOR	1	
	RX55410	D1H82014A024	RESISTOR-RESISTOR	1	
	RX56314	D1H82024A024	RESISTOR-RESISTOR	1	
	RX56315	D1H81014A024	RESISTOR-RESISTOR	1	
	RX57001	D1H81014A024	RESISTOR-RESISTOR	1	

Safety	Ref. No.	Part No.	Part Name & Description	Pcs	Remarks
	RX57002	D1H81014A024	RESISTOR-RESISTOR	1	
	RX57004	D1H81014A024	RESISTOR-RESISTOR	1	
	RX57005	D1H84734A024	RESISTOR-RESISTOR	1	
	RX58001	D1H84734A024	RESISTOR-RESISTOR	1	
	RX59001	D1H81014A024	RESISTOR-RESISTOR	1	
	RX59002	D1H81014A024	RESISTOR-RESISTOR	1	
	RX59003	D1H81014A024	RESISTOR-RESISTOR	1	
	RX59004	D1H84724A024	RESISTOR-RESISTOR	1	
	RX59005	D1H84724A024	RESISTOR-RESISTOR	1	
	RX59006	D1H81214A024	RESISTOR-RESISTOR	1	
	RX59303	D1H81034A024	RESISTOR-RESISTOR	1	
	RX59305	D1H81034A024	RESISTOR-RESISTOR	1	
	RX59601	D1H81014A024	RESISTOR-RESISTOR	1	
	RX59602	D1H83334A024	RESISTOR-RESISTOR	1	
	RX59603	D1H83334A024	RESISTOR-RESISTOR	1	
	RX59604	D1H88204A024	RESISTOR-RESISTOR	1	
	RX59605	D1H88204A024	RESISTOR-RESISTOR	1	
	S9201	K0L1BB000040	SWITCH	1	
	X51001	H0J270500157	OSCILLATOR	1	
	X59301	H0J300500024	OSCILLATOR	1	
	ZB51001	RMN1034	HOLDER	1	
	ZJ56301	K4AD01D00008	EARTH PLATE	1	
	ZJ56302	K4AD01D00008	EARTH PLATE	1	
	ZJ59001	RMA2345	GND HOLDER	1	