

SPECIFICATIONS SHEET FOR APPROVAL

PIEZO BUZZER
P/N: PB2495A12NP-06

**DESCRIPTION: D23.5mm, H9.5mm Piezo Buzzer, 3,400Hz, 12Vdc,
95dB at 10cm, epoxy potting, 8mm Pin,
RoHS Compliance (Directive 2002/95/EC)**

VERSION: 01

DATE: 26-Sep-2011

REVISIONS

VERSION	DESCRIPTION	DATE
01	Released from engineering	26-Sep-11

APPROVED BY :

CUSTOMER NAME :

DATE :

SPECIFICATIONS SHEET

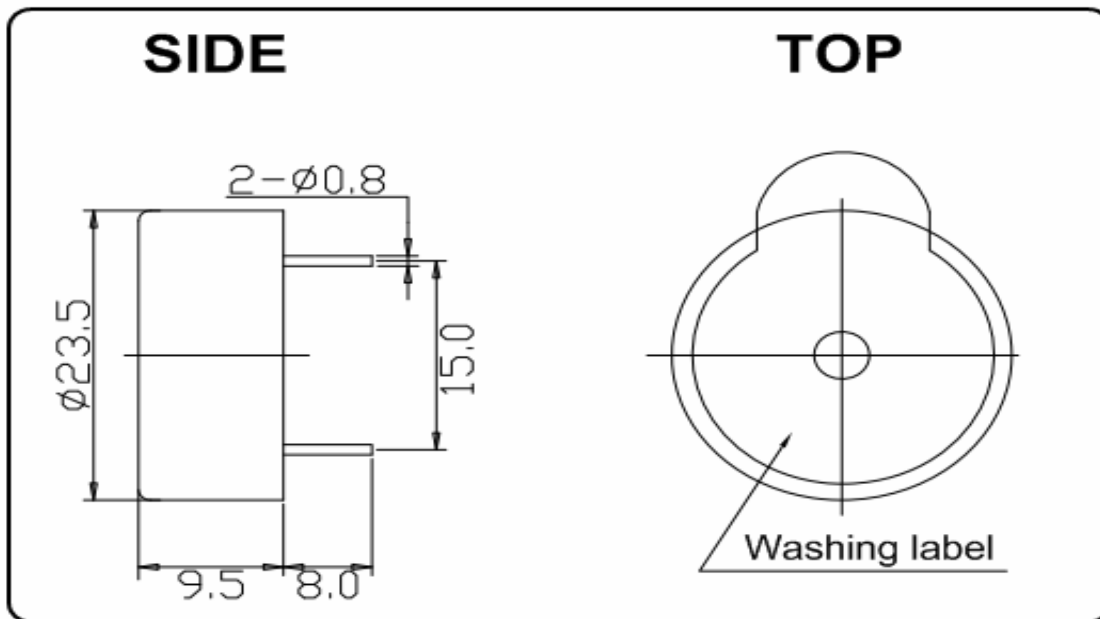
PIEZO BUZZER
P/N: PB2495A12NP-06

1. SPECIFICATIONS

PARAMETERS	VALUES	UNITS
*MIN SOUND PRESSURE LEVEL AT 10 CM	95	dBA
RATED VOLTAGE	12	Vdc
OPERATING VOLTAGE	3 - 20	Vdc
RESONANCE FREQUENCY	3,400 ± 500	Hz
*MAX CURRENT	10	mA
tone	Continuous	-
OPERATING TEMPERATURE	-20 to +70	°C
STORAGE TEMPERATURE	-30 to +80	°C
HOUSING	NORYL	-
WEIGHT	3	g

*Value applying rated voltage

2. DIMENSIONS (unit in mm)



Tolerance: ± 0.5 mm except specified

VERSION: 01
DATE: 26-Sep-11

All specifications subject to change without notice