

Service Manual

Microwave Oven

Model No. NN-ST34NBQPQ

Model No. NN-ST34NWQPQ



25L

Black/White

Australia, New Zealand

⚠ WARNING

This service manual is strictly meant to be used by experienced professional repair technicians only and is not designed for use by the general public. Products powered by electricity should be serviced and repaired only by experienced professional repair technicians ("Professionals"). Any attempt to service or repair the product by anyone else could result in serious injury and even death. Panasonic shall not be responsible to the extent permitted by applicable law. For any damages, losses, costs, expenses, death, injury, claims, decree, proceedings, and/or judgment, arising out of, in connection with, or relating to, any use and/or misuse of this service manual by user other than Professionals.

IMPORTANT SAFETY NOTICE

There are special components used in this equipment which are important for safety. These parts are marked by ⚠ in the Schematic Diagrams, Circuit Board Diagrams, Exploded Views and Replacement Parts List. It is essential that these critical parts should be replaced with manufacturer's specified parts to prevent shock, fire or other hazards. Do not modify the original design without permission of manufacturer.

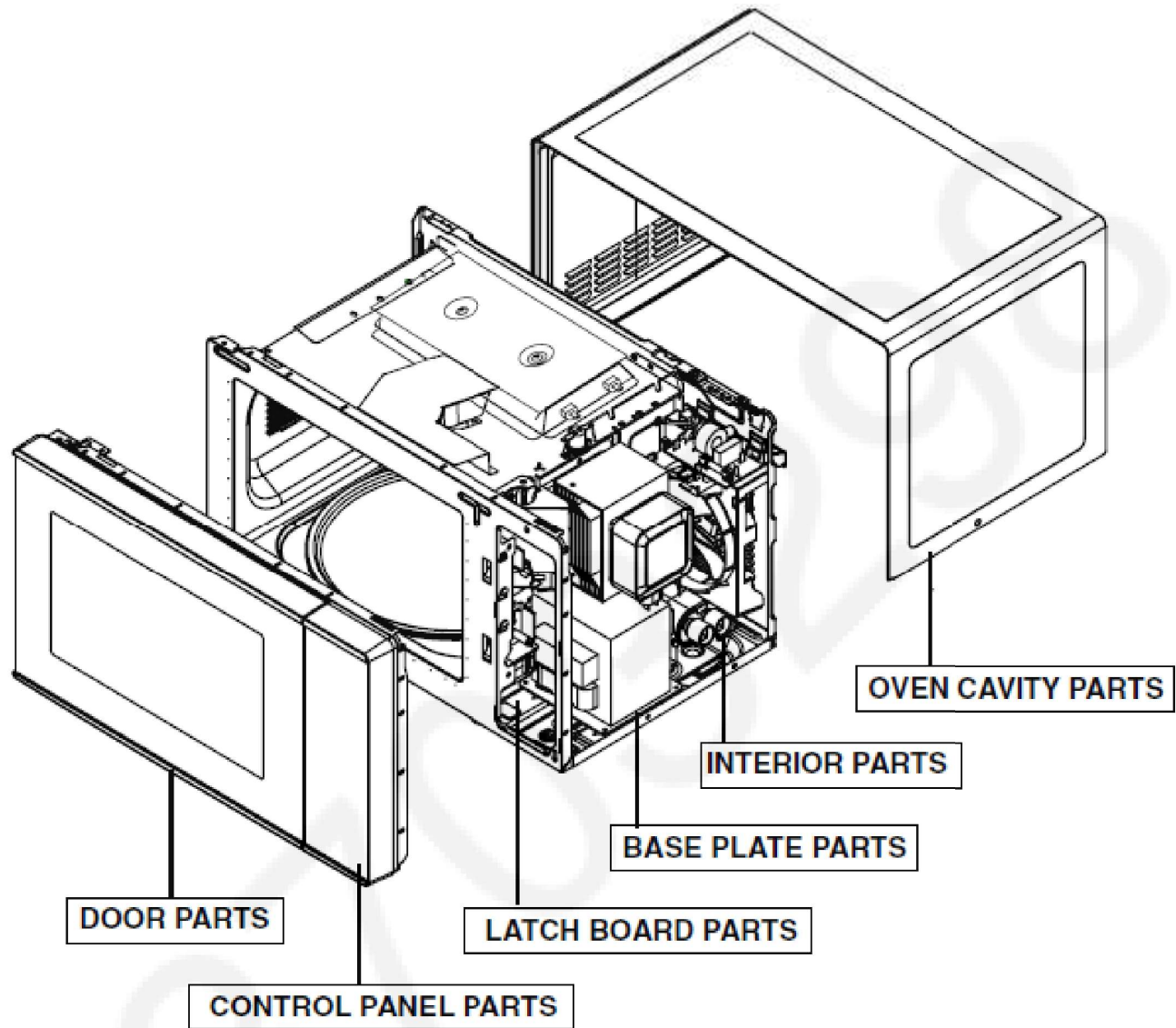
- The specifications and the parts of this product are subject to change without notice for performance improvement or other purposes.

Specifications

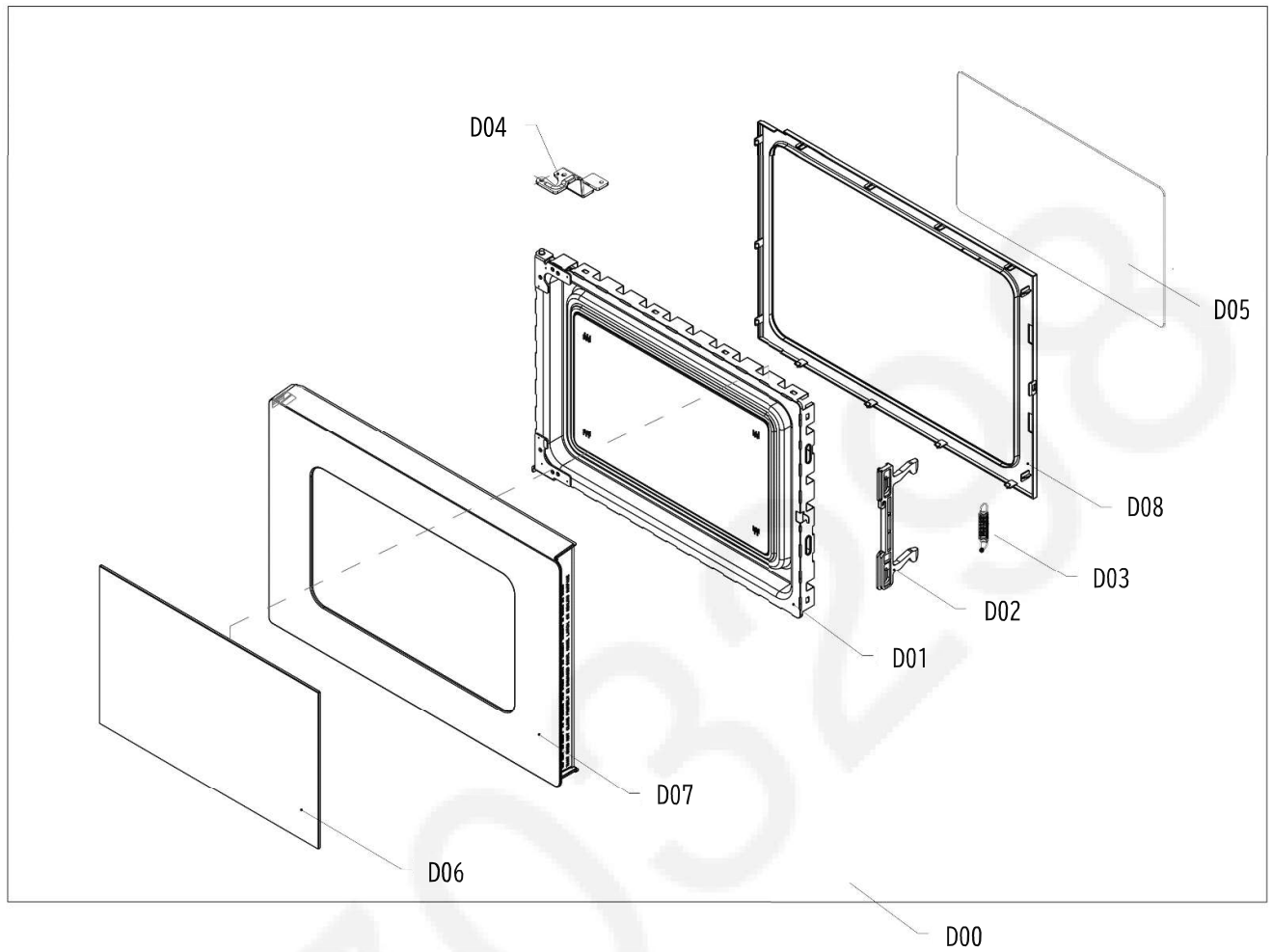
Power Requirement	230-240V, 50Hz Microwave 1300-1400W
Power Output	900 Watts full microwave power
Microwave Frequency	2450 MHz
Magnetron	2M519J
Timer	0 ~ 99 min. and 50 sec.
Outside Dimensions	469 mm (W) x 380 mm (D) x 280 mm (H)
Cavity Dimensions	329 mm (W) x 326 mm (D) x 236 mm (H)
Net Weight	12 kg
Specifications subject to change without notice.	

12. EXPLODED VIEW

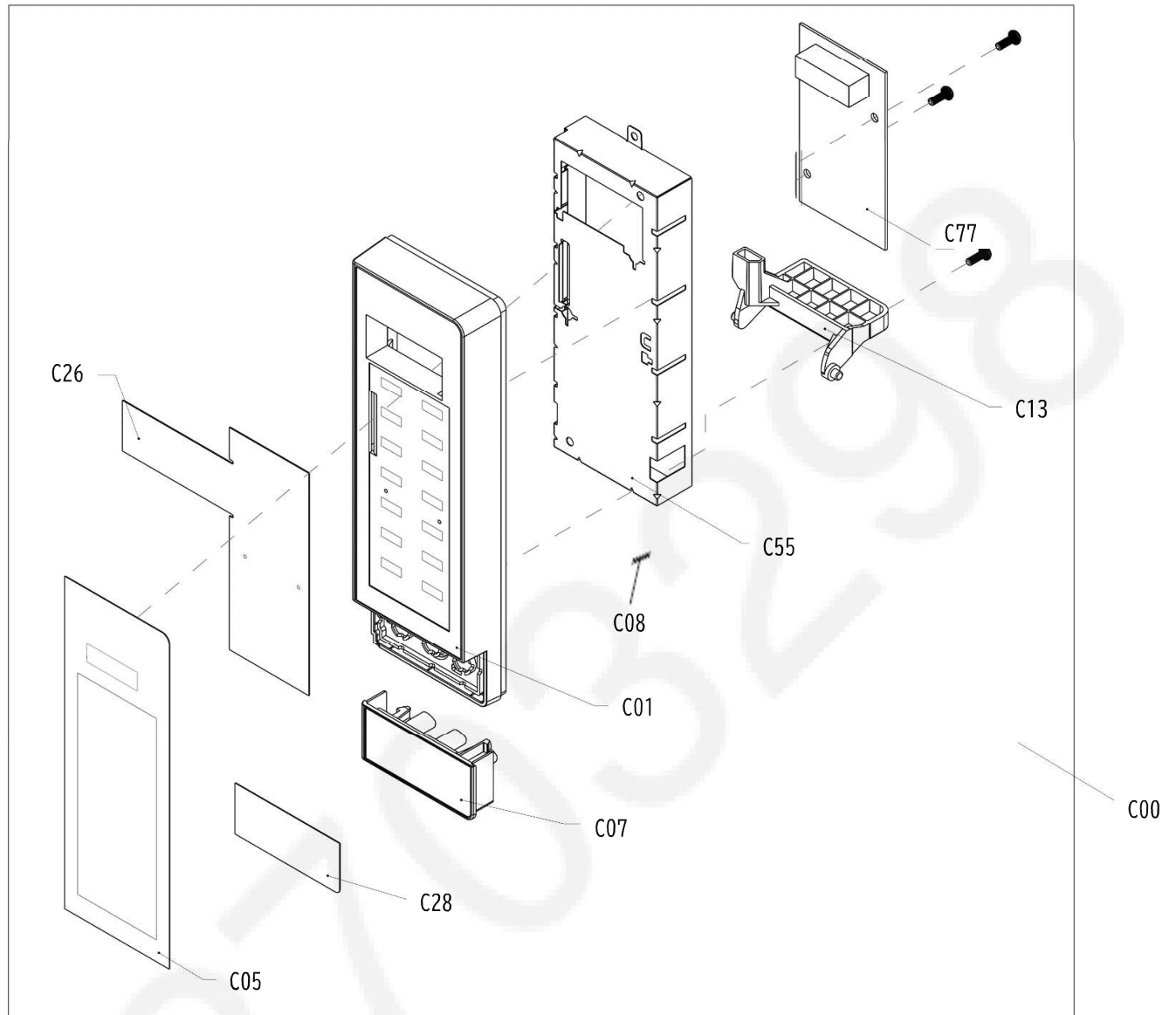
12.1 INTRODUCTION



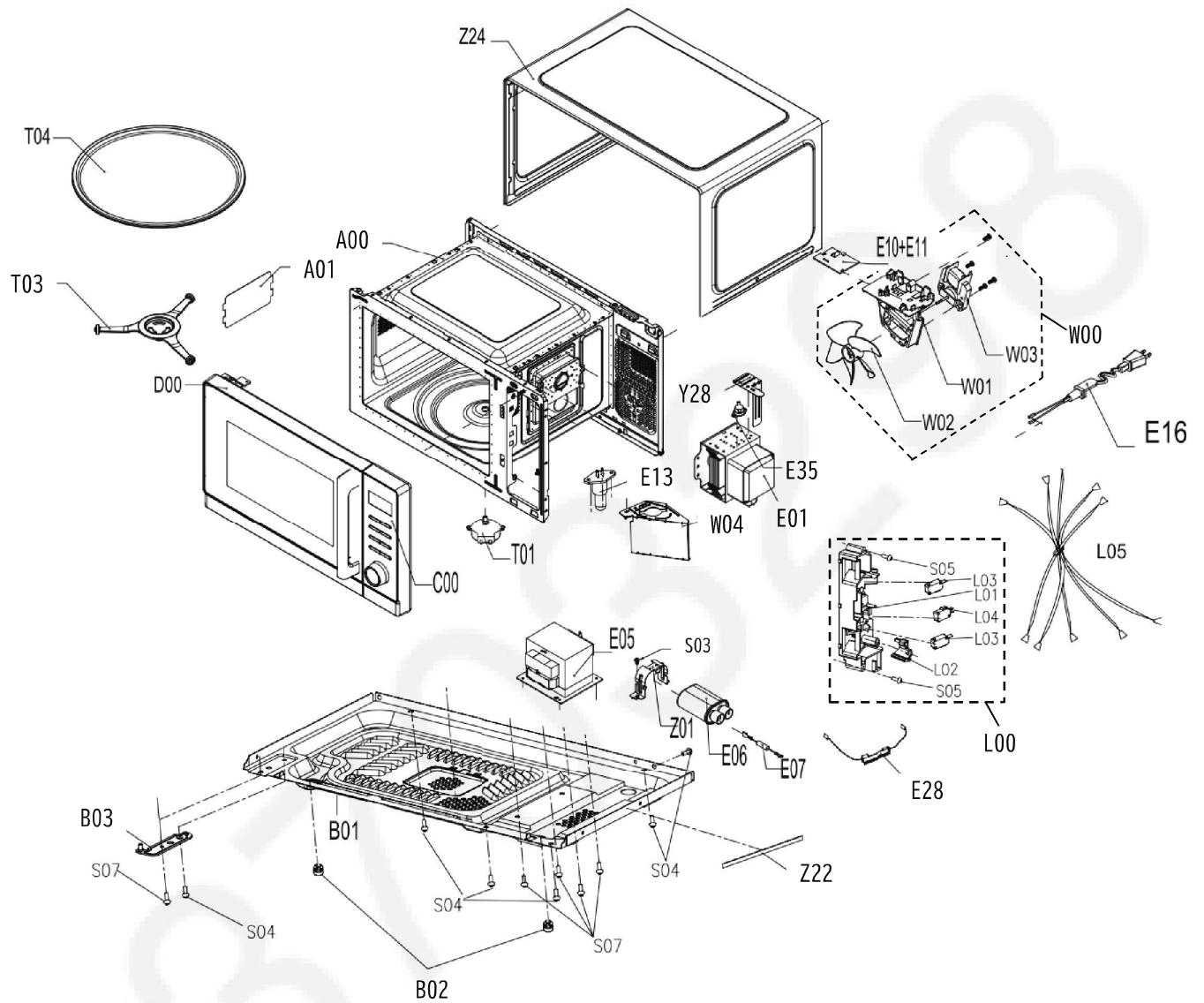
12.2 DOOR PARTS



12.3 CONTROL PANEL PARTS



12.4 OVEN CAVITY PARTS, INTERIOR PARTS, BASE PLATE PARTS, LATCH BOARD PARTS



13. REPLACEMENT PARTS LIST

NOTE:

1. When ordering replacement part(s), please use part number(s) shown in this part list. Do not use description of the part.
2. Important safety notice:
Components identified by Δ mark have special characteristics important for safety. When replacing any of these components, use only manufacture's specified parts.

For Model: NN-ST34NBQPQ

Safety	Ref. No.	Part No.	Part Name & Description	Pcs/Set	Remarks
	A00	A12270000043902	OVEN CAVITY	1	
	A01	A20557W50BP	CEILING COVER	1	
	B01	A12270000042135	BASE	1	BASE PLATE
	B02	A12670000003291	RUBBER FOOT	2	
	B03	A300741V0ZP	LOWER HINGE	1	
Δ	C00	A17270000B85462S	ESCUTCHEON BASE ASSEMBLY	1	CONTROL PANEL ASSEMBLY
	C01	A12170000039305	ESCUTCHEON BASE	1	
	C05	A16070000B53718	MEMBRANE DECORATION	1	
	C07	A12170000039328	DOOR OPEN BUTTON	1	DOOR RELEASE BUTTON
	C08	A80377W50BP	SPRING	1	
	C13	A12170000039329	DOOR OPEN LEVER	1	
Δ	C77	A17170000033938	PC BOARD	1	PCB
	C26	A17170000033001	MEMBRANE SWITCH CIRCUIT	1	
	C28	A16070000015855	BUTTON DECORATION	1	
	C55	A12270000045216	ESCUT.BACK PLATE	1	
Δ	D00	A12270000B68627S	DOOR ASSEMBLY	1	
Δ	D01	A12270000042336	DOOR E	1	
	D02	A12170000003861	DOOR KEY A	1	
	D03	A12970000000379	DOOR KEY SPRING	1	
	D04	A12270000006175	TOP DOOR HINGE	1	
	D05	A12170000009500	DOOR SCREEN A	1	
Δ	D06	A12570000014132	DOOR SCREEN B	1	
Δ	D07	A12170000A36530	DOOR A	1	
Δ	D08	A12170000036054	DOOR C	1	
Δ	E01	2M519J	MAGNETRON	1	
Δ	E05	A17470000003470	H.V.TRANSFORMER	1	
Δ	E06	A17470000000681	H.V.CAPACITOR	1	
Δ	E07	A17470000008946	H.V.DIODE	1	
Δ	E10+E11	A17170000002913	NOISE FLITER ASSEMBLY	1	
Δ	E13	A17470000009104	LAMP UNIT	1	
Δ	E16	A17470000009187	AC CORD W/PLUG	1	POWER SUPPLY CORD W/PLUG
Δ	E28	A17470000001549	H.V.FUSE	1	
Δ	E35	A17470000001486	THERMAL CUTOFF(OVEN)	1	180/145°C
Δ	L00	A17470000021100	DOOR HOOK ASSEMBLY	1	INTERLOCK ASSEMBLY
Δ	L01	A302041V0ZP	DOOR HOOK A	1	LATCH BOARD
	L02	A12170000010256	HOOK SPACER	1	
Δ	L03	A614141V0ZP	MICROSWITCH	2	PRIMARY/SECONDARY INTERLOCK SWITCH
Δ	L04	A614241V0ZP	MICROSWITCH(MONITOR SWITCH)	1	INTERLOCK MONITOR SWITCH
Δ	L05	A17470000013712	LEAD WIRE HARNESS	1	
Δ	T01	A11002014A00345	TURNTABLE MOTOR	1	
	T03	A12170000035806	SWIVEL	1	
	T04	A060141V0ZP	COOKING TRAY	1	GLASS TURNTABLE
	W00	A17470000020263	FAN ASSEMBLY	1	
	W01	A41447W50BP	ORIFICE	1	
	W02	A12170000000204	FAN BLADE	1	
Δ	W03	A400A41V0ZP	FAN MOTOR	1	
	W04	A402541V0ZP	AIR GUIDE A	1	
	Y28	A12270000042678	WIND GUIDE	1	
	Z01	A618841V0ZP	BRACKET, CAPACITOR	1	
	Z22	A09047W50BP	CUSHION RUBBER	1	
	Z24	A12270000042076	CABINET BODY	1	OUTER CASE
		A16370000003624	UPPER FILLER	1	
		A16370000003623	LOWER FILLER	1	

	A16270000A80297	CARTON BOX	1	
	A16370000A01252	VINYL BAG	1	
	A16170000A92134	OPERATING INSTRUCTION	1	

A3703298

For Model: NN-ST34NWQPQ

Safety	Ref. No.	Part No.	Part Name & Description	Pcs/Set	Remarks
	A00	A12270000043902	OVEN CAVITY	1	
	A01	A20557W50BP	CEILING COVER	1	
	B01	A12270000042135	BASE	1	BASE PLATE
	B02	A12670000003291	RUBBER FOOT	2	
	B03	A300741V0ZP	LOWER HINGE	1	
△	C00	A17270000B85457S	ESCUTCHEON BASE ASSEMBLY	1	CONTROL PANEL ASSEMBLY
	C01	A12170000039304	ESCUTCHEON BASE	1	
	C05	A16070000B56286	MEMBRANE DECORATION	1	
	C07	A12170000039295	DOOR OPEN BUTTON	1	DOOR RELEASE BUTTON
	C08	A80377W50BP	SPRING	1	
	C13	A12170000039329	DOOR OPEN LEVER	1	
△	C77	A17170000033938	PC BOARD	1	PCB
	C26	A17170000033001	MEMBRANE SWITCH CIRCUIT	1	
	C28	A16070000B56660	BUTTON DECORATION	1	
	C55	A12270000045216	ESCUT.BACK PLATE	1	
△	D00	A122700000B68626S	DOOR ASSEMBLY	1	
△	D01	A12270000042336	DOOR E	1	
	D02	A12170000003861	DOOR KEY A	1	
	D03	A12970000000379	DOOR KEY SPRING	1	
	D04	A12270000006175	TOP DOOR HINGE	1	
	D05	A12170000009500	DOOR SCREEN A	1	
△	D06	A12570000014132	DOOR SCREEN B	1	
△	D07	A121700000A36575	DOOR A	1	
△	D08	A12170000036054	DOOR C	1	
△	E01	2M519J	MAGNETRON	1	
△	E05	A17470000003470	H.V.TRANSFORMER	1	
△	E06	A17470000000681	H.V.CAPACITOR	1	
△	E07	A17470000008946	H.V.DIODE	1	
△	E10+E11	A17170000002913	NOISE FLITER ASSEMBLY	1	
△	E13	A17470000009104	LAMP UNIT	1	
△	E16	A17470000009187	AC CORD W/PLUG	1	POWER SUPPLY CORD W/PLUG
△	E28	A17470000001549	H.V.FUSE	1	
△	E35	A17470000001486	THERMAL CUTOUT(OVEN)	1	180/145°C
△	L00	A17470000021100	DOOR HOOK ASSEMBLY	1	INTERLOCK ASSEMBLY
△	L01	A302041V0ZP	DOOR HOOK A	1	LATCH BOARD
	L02	A12170000010256	HOOK SPACER	1	
△	L03	A614141V0ZP	MICROSWITCH	2	PRIMARY/SECONDARY INTERLOCK SWITCH
△	L04	A614241V0ZP	MICROSWITCH(MONITOR SWITCH)	1	INTERLOCK MONITOR SWITCH
△	L05	A17470000013712	LEAD WIRE HARNESS	1	
△	T01	A11002014A00345	TURNTABLE MOTOR	1	
	T03	A12170000035806	SWIVEL	1	
	T04	A060141V0ZP	COOKING TRAY	1	GLASS TURNTABLE
	W00	A17470000020263	FAN ASSEMBLY	1	
	W01	A41447W50BP	ORIFICE	1	
	W02	A12170000000204	FAN BLADE	1	
△	W03	A400A41V0ZP	FAN MOTOR	1	
	W04	A402541V0ZP	AIR GUIDE A	1	
	Y28	A12270000042678	WIND GUIDE	1	
	Z01	A618841V0ZP	BRACKET, CAPACITOR	1	
	Z22	A09047W50BP	CUSHION RUBBER	1	
	Z24	A12270000042975	CABINET BODY	1	OUTER CASE
		A16370000003624	UPPER FILLER	1	
		A16370000003623	LOWER FILLER	1	
		A16270000A80302	CARTON BOX	1	
		A16370000A01252	VINYL BAG	1	
		A16170000A92134	OPERATING INSTRUCTION	1	