

**5 YEAR
WARRANTY**

60W
Phase Cut AC
Dimmable
Constant
Current
LED Driver
With Selectable
Output

**Features of the:
PDC-60**



High Level
Of Dimmer
Compatibility



Output Current
Selectable By
DIP switch



AC Input Range:
200-240VAC
with PFC



IP20 Design
For Indoor
Installation



Class II
Power Supply



Easy
Installation



Protections:
Short Circuit
Overload Over
Temperature



Works With
Leading Or
Trailing Edge
Dimmers



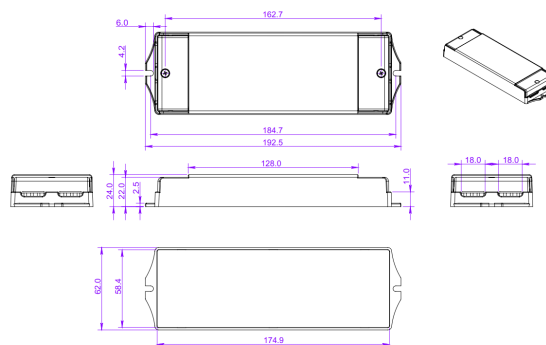
Australian
Approvals

CE    IP20 SELV

Model		PDC-60							
Output	Rated Current (mA) ±25mA	600mA	700mA	800mA	900mA	1000mA	1100mA	1200mA	1300mA
	T ON L OFF	TTTT	TLLL	LTLL	TTLL	LLTT	TLLT	LTLL	TTTT
	DC Voltage	3-65V	3-65V	3-65V	3-65V	3-60V	3-55V	3-50V	3-46V
	Rated Power	39	45.3	52	58.5	60	60	60	60
	Rated Current (mA) ±25mA	1400mA	1500mA	1600mA	1700mA	1800mA	1900mA	2000mA	2100mA
	T ON L OFF	TTTT	TLLT	LTLL	TTLL	LLTT	TLLT	LTLL	TTTT
	DC Voltage	3-43V	3-40V	3-38V	3-35V	3-33V	3-32V	3-30V	3-29V
	Rated Power	60	60	60	60	60	60	60	60
Input	Rated Input Voltage	200-240VAC							
	Rated Frequency	47-63HZ							
	Power Factor	Full loading ≥ 0.9@230VAC							
	Efficiency (Typ.)	Full loading ≥ 80%@230VAC							
	AC Current (Max.)	0.45A							
	Inrush Current (Typ.)	30.4A,37us@50%Ipeak							
	Leakage Current	<0.50mA							
Protection	Short Circuit	Constant current mode, recovers automatically after fault condition is removed.							
	Output No-Load Voltage	75V max.							
	Over Temperature	Ambient temp. over 50±5°C, output current will be reduced to 50%; Ambient temp. over 60±5°C, output will be off; recovers automatically after temp. drops. - measured as case temperature tc=75±5°C							
	Protection Class	II							
Environment	Working TEMP.	-40-+60°C							
	Working Humidity	20-90%RH, non condensing							
	Storage TEMP. Humidity	-40 - +80°C, 10-95%RH							
	TEMP. coefficient	+0.03%/°C, (0-50°C)							
	Vibration	10-500Hz, 2G 10min./1 cycle, period for 60min. each along X, Y, Z axes.							
Safety	Safety Standards	EN61347-1 EN61347-2-13							
	Withstand Voltage	I/P-O/P:3.75KVAC							
	Isolation Resistance	I/P-O/P:100MΩ/500VDC/25°C/70%RH							
Others	Weight	0.3kg							
	Size	192.5*62*24mm (L*W*H)							
	Packing	290*215*140mm (20PCS/CTN) for outer carton.							
Notes	<ol style="list-style-type: none"> All parameters NOT specially mentioned are measured at 230VAC input, rated load and 25°C of ambient temperature. Tolerance: includes set up tolerance, line regulation and load regulation. Specifications are subject to change without prior notice. Contact your supplier to confirm any critical parameters. 								

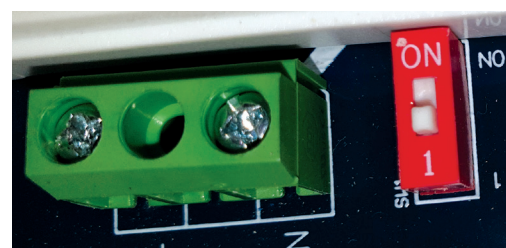
Mechanical Specification

- Input 3 pole terminal block: Active AC (L), Neutral AC(N).
- Output 2 pole terminal block: Positive (LED+), Negative (LED-).
- Suggested wire diameter: Input 0.75-2mm²; Output: 0.5-2mm².
- Ensure that all wiring is correct before testing in order to avoid damage to the LED driver or the LEDs.

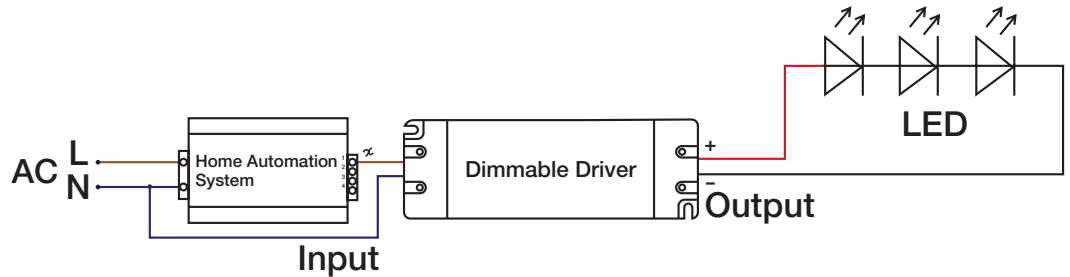
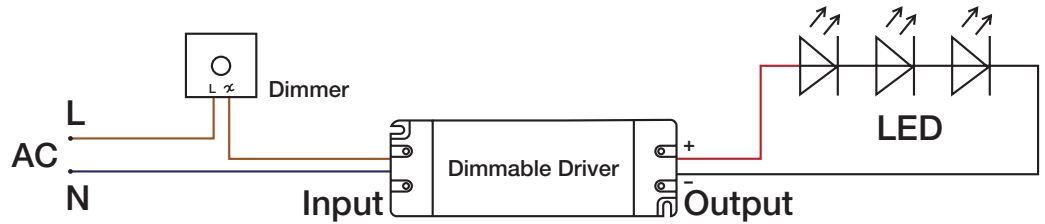


Dimmer Type Selection

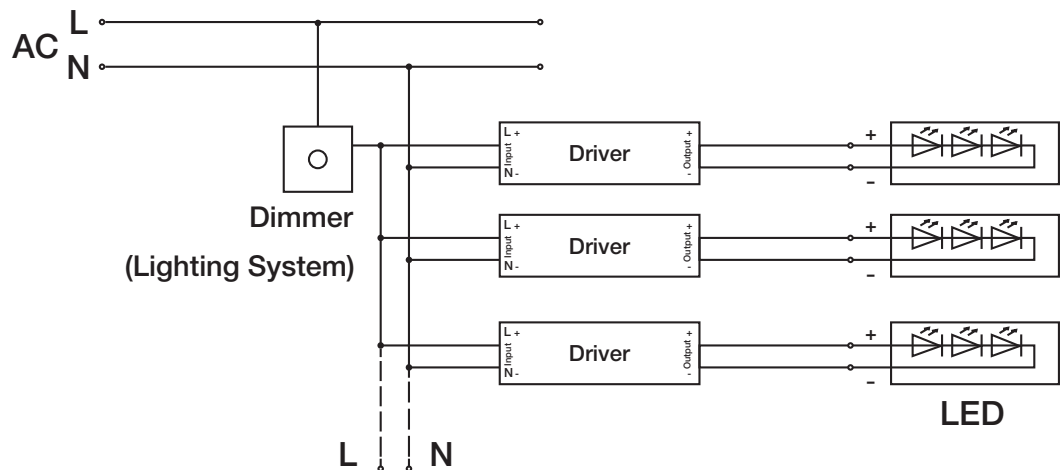
- A leading edge or trailing edge dimmer should be installed on the AC input.
- Select the type of dimmer being used with the DIP switch to the right of the input terminal block. Position 1 for trailing edge, most common in Australia. If flicker is experienced try the ON position.
- It is recommended that you use a dimmer with at least 2x power of the rated output power of the driver.



Wiring Diagram: Single Driver

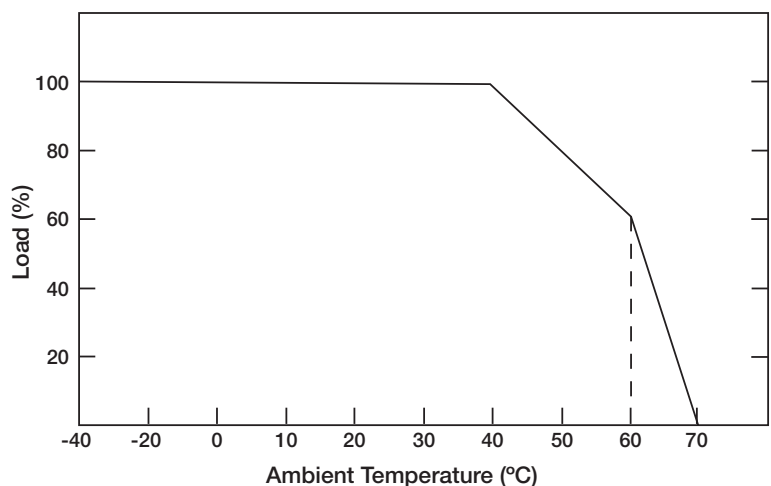


Wiring Diagram: Multiple Drivers



De-rating Curve

- If being used in higher ambient temperatures, ensure the load on the LED driver is de-rated in accordance with this chart. Failure to do so could lead to a premature failure, which is not covered by the warranty.



To extend their life, please refer to the De-rating Curve and de-rate according to the temperature.

Instruction:

- 1) This driver should be installed by qualified and professional person.
- 2) Please make sure the transformer is installed with adequate ventilation around it to allow for heat dissipation.
- 3) Ensure that wiring is correct before test in order to avoid LED and power supply damage.

Any other question please feel free to contact ADM Systems Pty Ltd.