

Product Description

LF-GMR060YS II is a flicker free LED driver with metal casing. Rated input voltage: 220-240Vac; maximum output power: 65.1W; output voltage: 33-42Vdc; output current: 1100-1550mA. It has features of soft-switching design, high efficiency and excellent flicker free effect, suitable for linear light, tri-proof light and etc.

Features

- Suitable for Class I light fixtures
- Flicker free
- High performance, high efficiency, low THD
- 5-year warranty (Please refer to the warranty condition.)

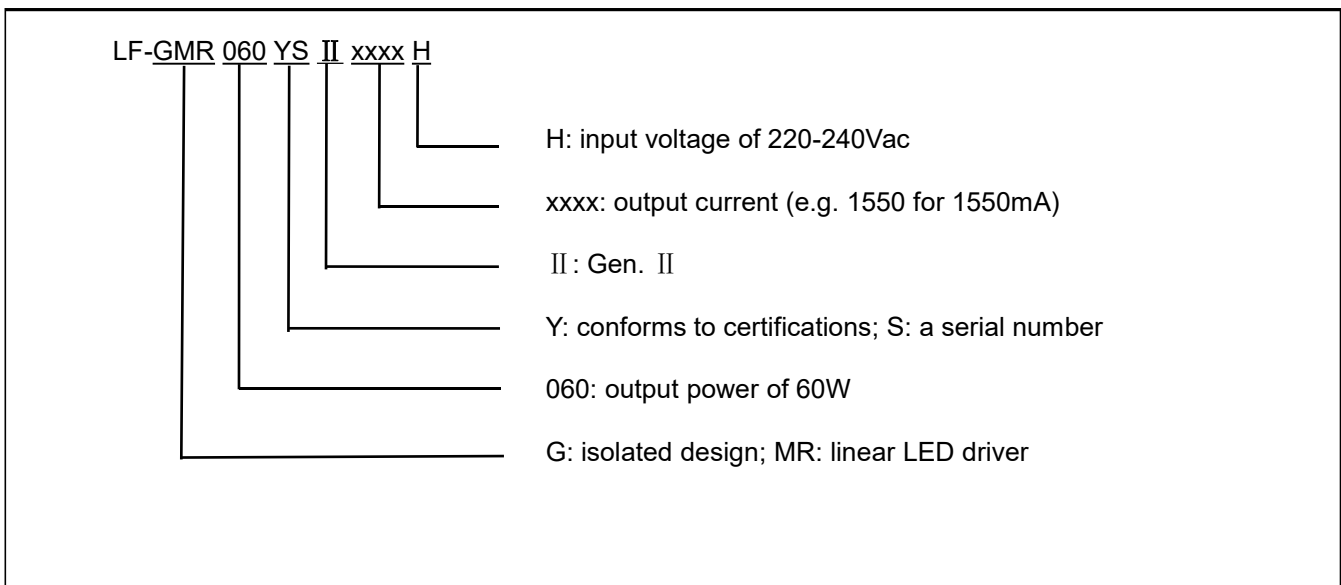


Applications

- Indoor office lighting
- Decorative lighting
- Commercial lighting
- Residential lighting



Product Naming



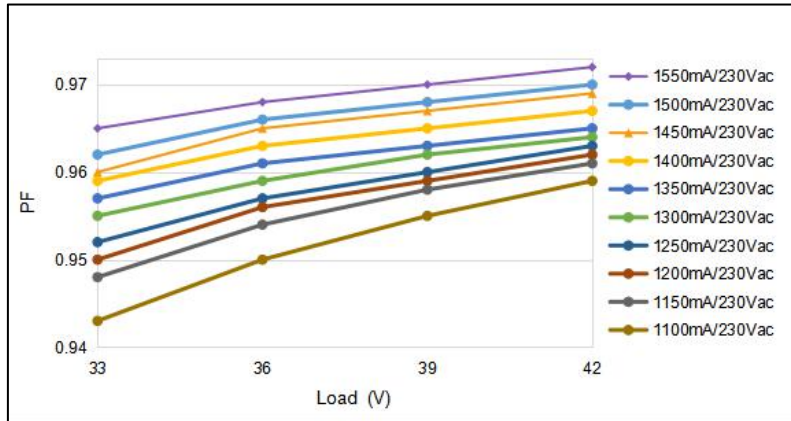
Electrical Characteristic

Model		LF-GMR060YS II xxxxH										
Output	Output Voltage	33-42V										
	Output Current	1100 mA	1150 mA	1200 mA	1250 mA	1300 mA	1350 mA	1400 mA	1450 mA	1500 mA	1550 mA	
	Flicker Index	IEC-Pst \leq 1; CIE SVM \leq 0.4; Modulation Depth $<$ 0.5% (IEEE 1789)										
	Current Tolerance	\pm 5%										
	Temperature Drift	\pm 10%										
	Start-up Time	$<$ 0.5S @230Vac										
Input	Input Voltage	220-240Vac (limit: 200-264Vac)										
	DC Input Voltage	200-280Vdc										
	Input Frequency	47Hz-63Hz										
	Input Current	0.4A max.										
	Power Factor	\geq 0.94@230Vac										
	THD	\leq 20%										
	Efficiency	\geq 90%										
	In-rush Current	\leq 58A & 163uS @230Vac										
	Load Quantity Carried by the Circuit Breaker	Circuit Breaker Model	B10		C10		B16		C16			
		Quantity (pcs)	9		15		15		25			
	Leakage Current	\leq 0.7mA										
Standby Power Consumption	\leq 0.5W											
Protection	Open Circuit Protection	$<$ 55V										
	Short Circuit Protection	Hiccup mode (auto-recovery)										
Environment Description	Operating Temperature	$-30^{\circ}\text{C}\sim+50^{\circ}\text{C}$										
	Operating Humidity	20-90%RH (no condensation)										
	Storage Temperature/ Humidity	$-50^{\circ}\text{C}\sim+85^{\circ}\text{C}$ (six months under class I environment); 10-95%RH (no condensation)										
	Atmospheric Pressure	86KPa \sim 106KPa										

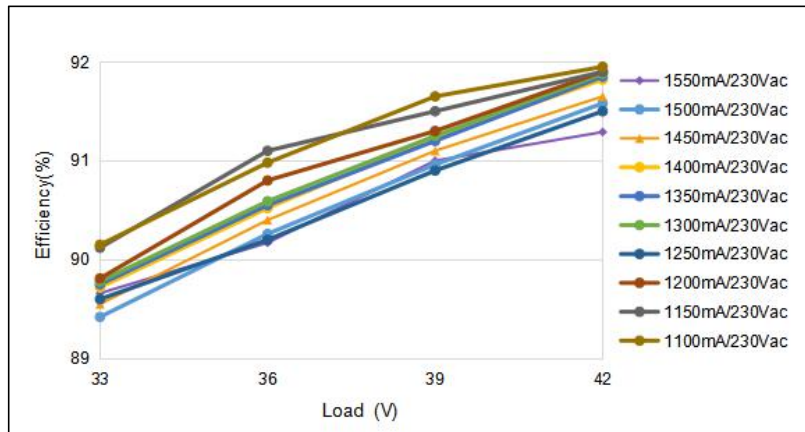
Safety and Electromagnetic Compatibility	Certification	TUV-ENEC, CB, CE, RCM, CCC, SAA
	Withstanding Voltage	I/P-O/P: 3.75kVac <5mA 60S; I/P-FG: 1.5kVac <5mA 60S
	Insulation Resistance	I/P-O/P, I/P-FG, O/P-FG >100MΩ@500VDC
	Safety Standard	EN61347-1:2015, EN61347-2-13:2014/A1:2017, EN62384:2016/A1:2009, EN61347-2-13:2014/A1:2017, EN61347-1:2015, EN62493:2015 IEC 61347-1:2015, IEC61347-2-3:2014, IEC61347-2-13:2014/AMD1:2016 AS61347.2-13:2018 GB19510.1-2009, GB19510.14-2009
	EMI	CE-EMC/RCM: EN55015, EN61000-3-2, EN61000-3-3 CCC: GB/T17743, GB17625.1, GB17625.2
	EMS	CE-EMC/RCM: EN61000-4-2,3,4,5,6,11 (L-N: 1kV/L-N-PG:2kV) CCC: GB/T17626.2,3,4,5,6,11 (L-N:1kV L/N-PG:2kV)
Others	IP Rating	IP20
	RoHS	RoHS 2.0 (EU) 2015/863
	Warranty	5 yrs (Tc≤74℃)
Test Equipment	AC power source: CHROMA6530, digital power meter: CHROMA66202, Oscilloscope: Tektronix DPO3014, DC electronic load: M9712B, LED board, constant temperature and humidity chamber, lightning surge generator: Everfine EMS61000-5B, rapid group pulse generator: Everfine EMS61000-4A, spectroanalyzer: KH3935, hi-pot tester: TH9201B, flicker-free tester (flicker-free coefficient tester) 60N-01, etc.	
Remarks	<ol style="list-style-type: none"> 1. It is recommended that customer should install overvoltage and undervoltage protection devices and surge protection devices in the power supply circuits of the light fixtures to ensure safety before connecting to electricity. 2. As an accessory, the LED driver is not the only factor determining the EMC performance of the LED light fixture. The structure and the wiring of the light fixture are also relevant. Thus it's strongly recommended the LED light fixture manufacturer re-confirms the EMC of the whole LED light fixture. 3. The test conditions of the circuit breaker configuration quantity are the same as those of the inrush current test. 4. Unless otherwise stated, the parameters of the power factor, harmonic and efficiency were test results under the ambient temperature of 25℃, humidity of 50%, input voltage of 230Vac(50Hz) and full load. 	

Characteristic Curve

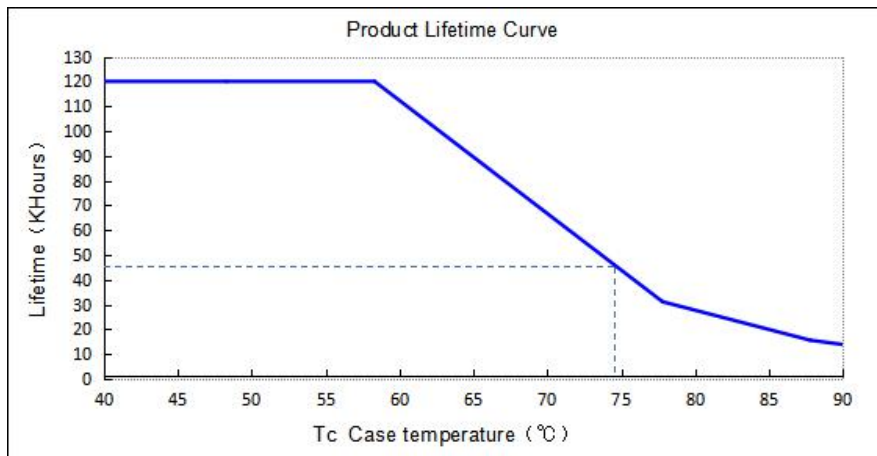
■ **PF Curve**



■ **Efficiency Curve**



■ **Lifetime Curve**



Definition of the Driver's Terminals

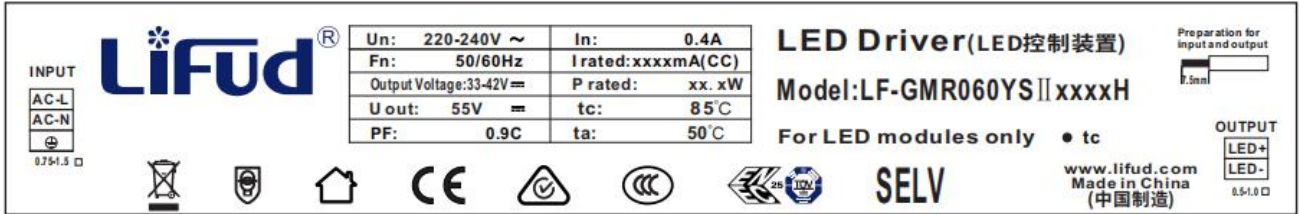
INPUT

AC-L	Input terminal of AC live wire
AC-N	Input terminal of AC neutral wire
⊕	Grounding

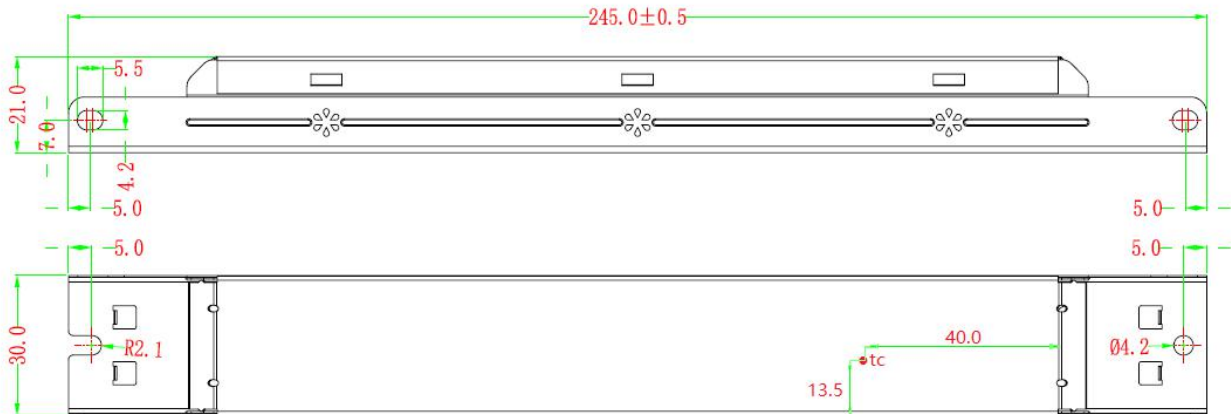
OUTPUT

LED+	The driver's positive electrode output
LED-	The driver's negative electrode output

Label



Structure&Dimensions (unit: mm)



Packaging Specifications

Model	LF-GMR060YS II xxxxH
Packaging Dimensions	385*285*210 mm (L*W*H)
Quantities	8 pcs/layer; 6 layers/ctn; 48 pcs/ctn
Weights	186g/pc; 9.8kg/ctn

Transportation & Storage

1. Transportation

Transportation means: vehicles, boats and aircraft.

During transportation, there should be awnings for rain protection and sun protection. Civilized loading and unloading are required. There should be no severe vibration or impact.

2. Storage

Storage in accordance with the provisions of the Class I environment. For products which have been stored for more than six months, they mustn't be used until they pass the re-inspection.

Attention

- * Use this product according to the specifications, please. Otherwise there may be malfunction.
- * Use the light fixtures that have not been certified or are not compatible with the LED drivers may cause fire or other hazards.
- * Man-made damage, any use beyond the specification and non-original-factory modification are not covered by warranty.

Remark: The final interpretation right of the contents of this data sheet belongs to Lifud Technology Co., Ltd.