

ELECTROLUX

***DOMESTIC HOUSEHOLD
BUILT UNDER DISHWASHER***

CONTENTS	PAGE N°
CABINET and BASE ASSEMBLY	2 & 3
ELECTRICAL COMPONENTS	4 & 5
PUMP, SUMP and HYDRAULIC SYSTEM	6 & 7
CONTROL PANEL and WORKTOP ASSEMBLY	8 & 9
BASKET ASSEMBLY	10 & 11
DOOR ASSEMBLY	12 & 13
AFTER MARKET ACCESSORIES	14
WIRING DIAGRAM, LEGEND and CIRCUIT DIAGRAM	15 - 17

NOTE: In Parts Listings

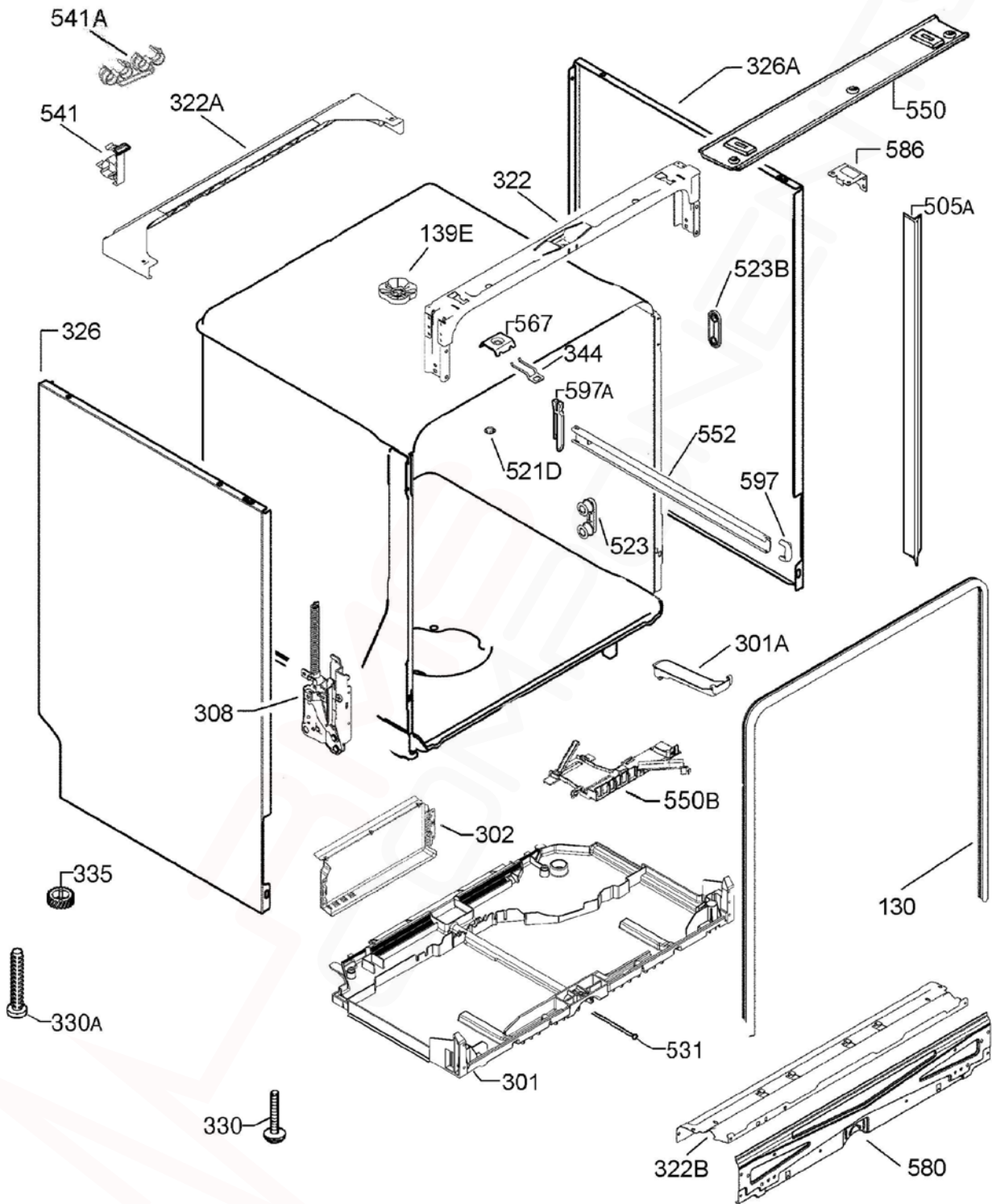
N.I.	=	Not Illustrated
N.P.A.	=	No Part Available
N.P.N.	=	Not Used on this Model

MODEL:

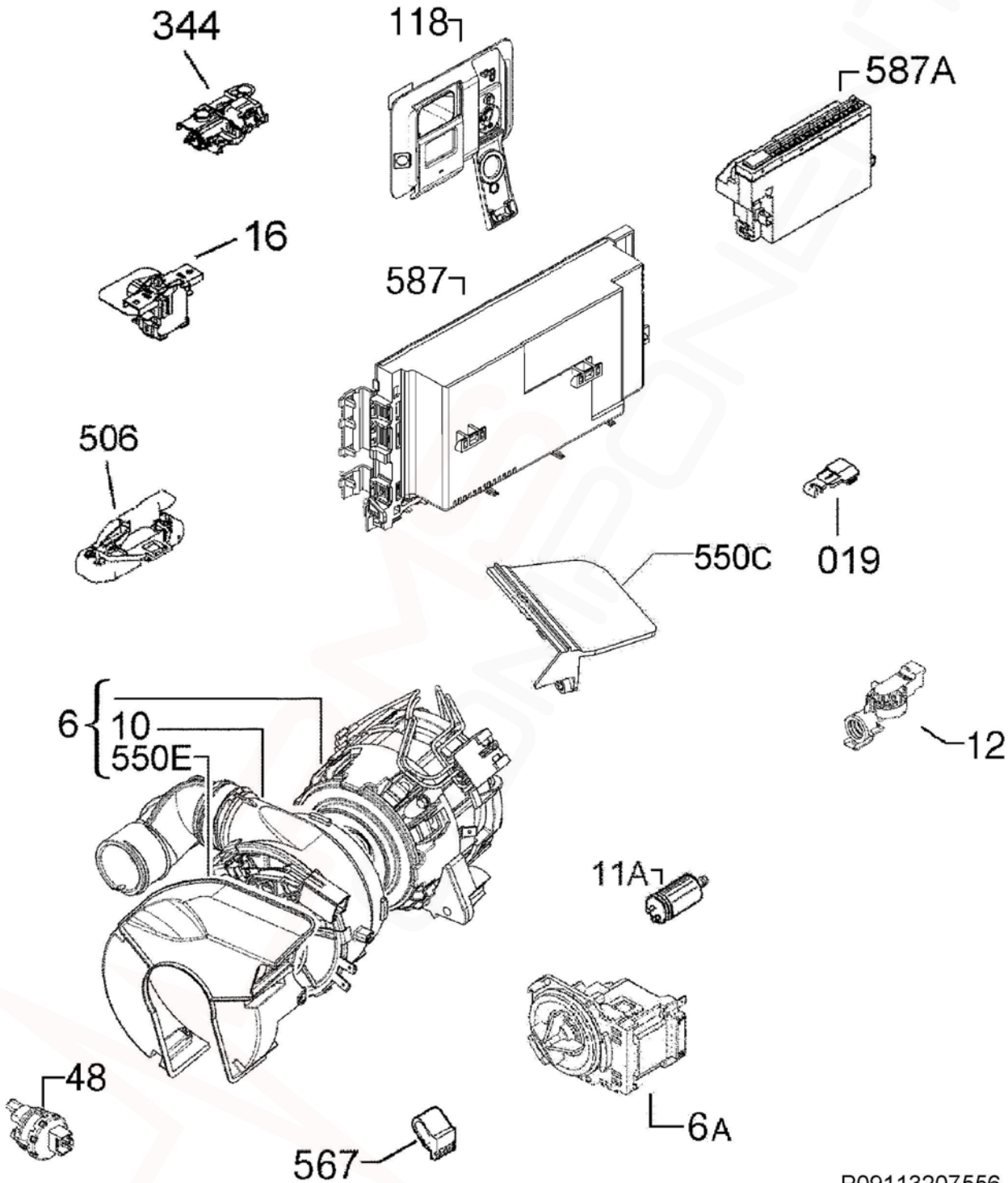
ESL7510RO

PNC:

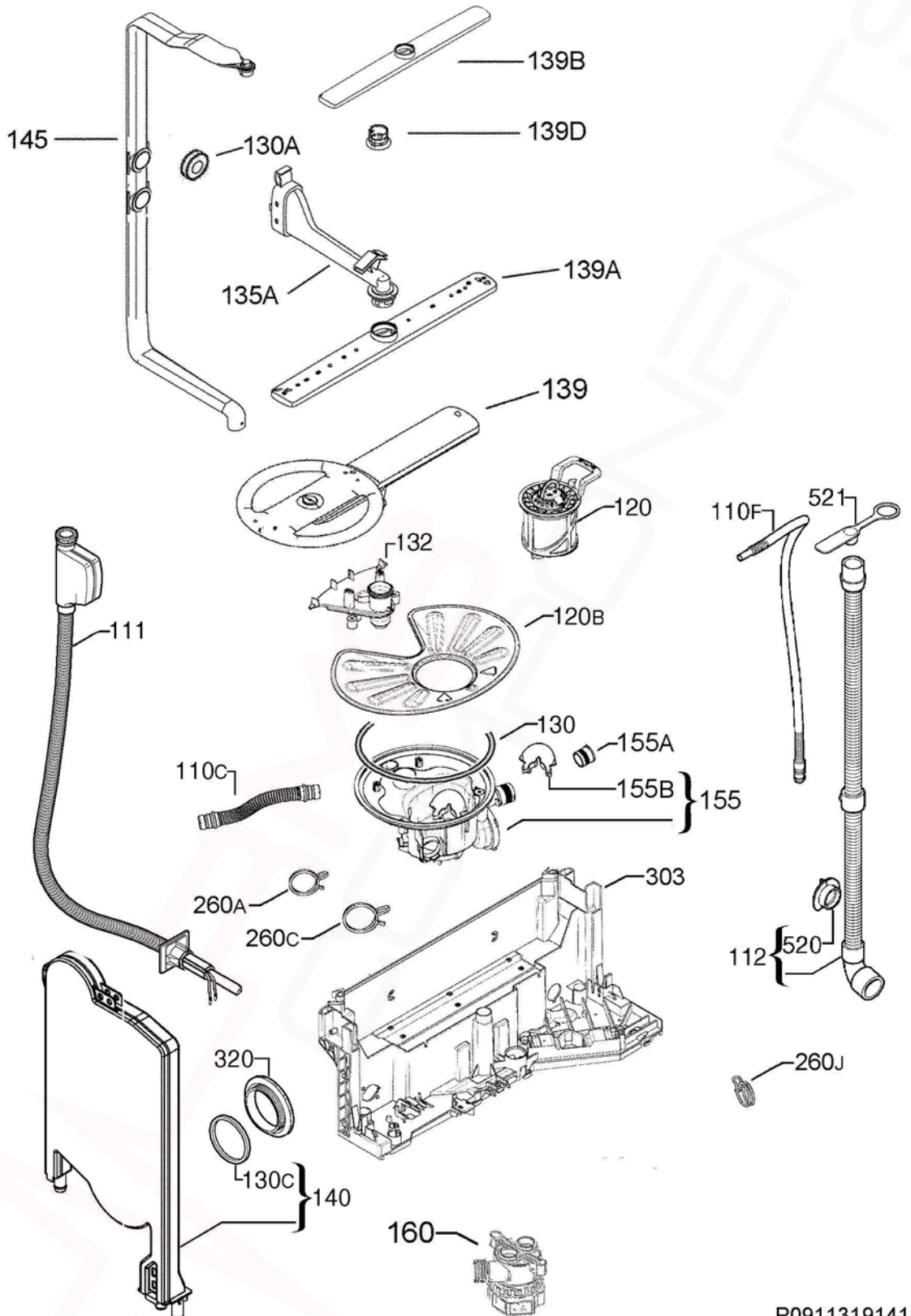
911434396 00



ITEM	PART N°	DESCRIPTION	EX. P09113206228	QTY
130	1171580002	GASKET DOOR 1800mm		1
139E	8072403010	NUT FASTENING TOP SPRAY ARM		1
301	140000733125	TRAY BOTTOM SPILLAGE - BLACK		1
301A	4055138376	KIT OVERFLOW HOSE		2
302	140000750020	COVER PCB REAR		1
308	4055327938	KIT DOOR HINGE LH/RH SLIDING		1
322	1171564733	BRACE FRONT UPPER		1
322A	1172379149	BRACE REAR UPPER		1
322B	1171561093	BRACE FRONT LOWER		1
326	1174320414	PANEL SIDE LEFT - ZINC PLATED		1
326A	1174320422	PANEL SIDE RIGHT - ZINC PLATED		1
330	1173687003	FOOT ADJUSTABLE FRONT x115mm		2
330A	1173632009	LEG ADJUSTABLE CENTRAL		1
335	1527142002	COG LEG ADJUSTABLE CENTRAL		1
344	1522344058	LATCH DOOR LOCK		1
505A	1522222635	TRIM TUB CABINET x609mm		1
521D	1526576101	COVER LATCH HOLE		1
523	4055260790	SUPPORT ROLLER KIT (PKT 4)		1
523B	1521220101	BRACKET ROLLER REAR SIFFENING		4
531	140000210041	SCREW ADJUSTING - FOOT CENTRAL		1
541	N.P.A.	CLAMP HOSE		-
541A	N.P.A.	CLAMP HOSE		-
550	ES6060	TAPE FOIL KIT STEAM PROTECTION		1
550B	1171864042	COVER WIRING HARNESS		1
552	1171989005	RAIL BASKET UPPER		2
567	1523236030	NUT SPEED CLIP		1
580	1171654120	PANEL FRONT LOWER		1
586	1172870014	BRACKET FIXING TOP		2
597	1520479419	STOP BASKET UPPER FRONT D/GREY		2
597A	6461234061	STOP BASKET UPPER REAR D/GREY		2
N.I.	1174277002	GROMMET SIDE MOUNT/DOOR GUIDE		4
N.I.	140002854150	TEMPLATE BUILT IN		1
N.I.	4055306874	SCREW FIXING RAIL ROLLER		8



ITEM	PART N°	DESCRIPTION	EX. P09113207556	QTY
6	140002106056	PUMP RE-CIRC/HEATER COMP 1800W		1
6A	140000443030	PUMP DRAIN 50HZ.		1
10	140002162042	HEATER WITH O-RING 230V/1800W		1
11A	1115927012	CAPAC 3UF MOTOR DISHWASHER		2
12	140000554067	SWITCH PRESSURE		1
16	1113337024	SWITCH MAIN AUTO OFF		1
19	1174528016	INDICATOR DOOR LAMP		1
48	140000401012	SENSOR TEMPERATURE TURBIDITY		1
118	140001303084	DISPENSER DETERGENT AEG		1
344	1113150401	LOCK DOOR		1
506	140000565048	SWITCH & FLOAT ASSY		1
550C	8080890018	COVER MOTOR DRIP PREVENTION		2
550E	140002173015	COVER HEATER		1
567	1171934019	SUPPORT BRACKET MOTOR RUBBER		1
587	973911434396009	BOARD PCB PROGRAMMED PB200		1
587A	1380162220	BOARD USER INTERFACE EDW1503		1
N.I.	140001945033	CORD SERVICE AU 2.15M		1
N.I.	8070617140	HARNESS PCB - DOOR		1
N.I.	8074839021	HARNESS PCB - HEATER		1
N.I.	8081696281	HARNESS PCB - PUMP		1

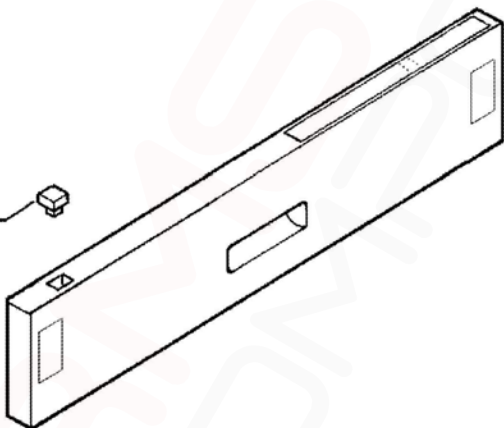


ITEM	PART N°	DESCRIPTION	EX. P09113191415	QTY
110C	140000059034	HOSE SUMP TO WATER SOFT x370mm		1
110F	140011411018	TUBE VENTILATING x1645mm		1
111	4055125068	HOSE INLET WATER BLOCK x1800mm		1
112	140011410085	HOSE DRAIN VENTILATION COMPLETE		2
120	8075472178	FILTER DRAIN ASSEMBLY - FINE		1
120B	1119209045	FILTER FLAT		1
130	1119186003	O-RING SUMP		1
130A	140000457014	GROMMET FEED UPPER SPRAY ARM		1
130C	50659231-00/0	SEAL AIR CHAMBER		1
132	1119158176	SUPPORT SPRAY ARM LOWER DRK GR		1
135A	8070793057	CHANNEL FEED UPPER SPRAY ARM		1
139	1119208369	SPRAY ARM LOWER		2
139A	8083211055	SPRAY ARM UPPER		1
139B	8073821053	SPRAY ARM TOP		1
139D	8070358018	NUT LOCK SPRAY ARM UPPER 3RD		1
140	1170481764	CONTAINER CUP SMALL		1
145	8070897031	TUBE FEED SPRAY ARM UPPER & 3RD		1
155	140000494280	SUMP WATER ASSEMBLY		1
155A	140000536015	VALVE NON-RETURN FLAP SUMP		1
155B	1119177010	TRAP SUMP PUMP DRAIN		1
160	140000012017	REGULATOR FLOW CONTROL		1
260A	8078689026	CLAMP CIRC PUMP FLOW REGULATOR		1
260C	8078689034	CLAMP CIRCULATION PUMP-SUMP		1
260J	8078689018	CLAMP DRAIN HOSE Ø30mm		1
303	140000732069	BRACE REAR LOWER		1
320	1526272214	VENT VAPOUR OUTLET		1
520	8072019014	CLAMP COLLAR DRAIN HOSE		1
521	N.P.A.	PLUG DRAIN HOSE		-
N.I.	4055306866	SCREW SUPPORT SPRAY ARM LOWER		1

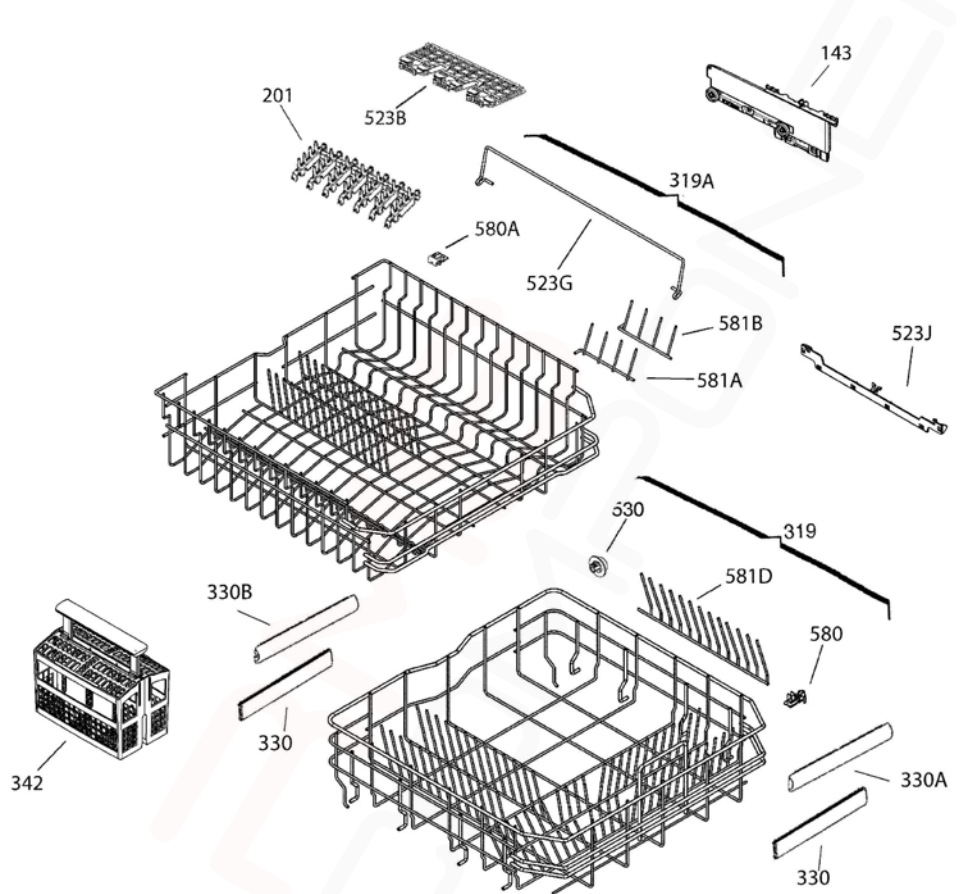
525



510

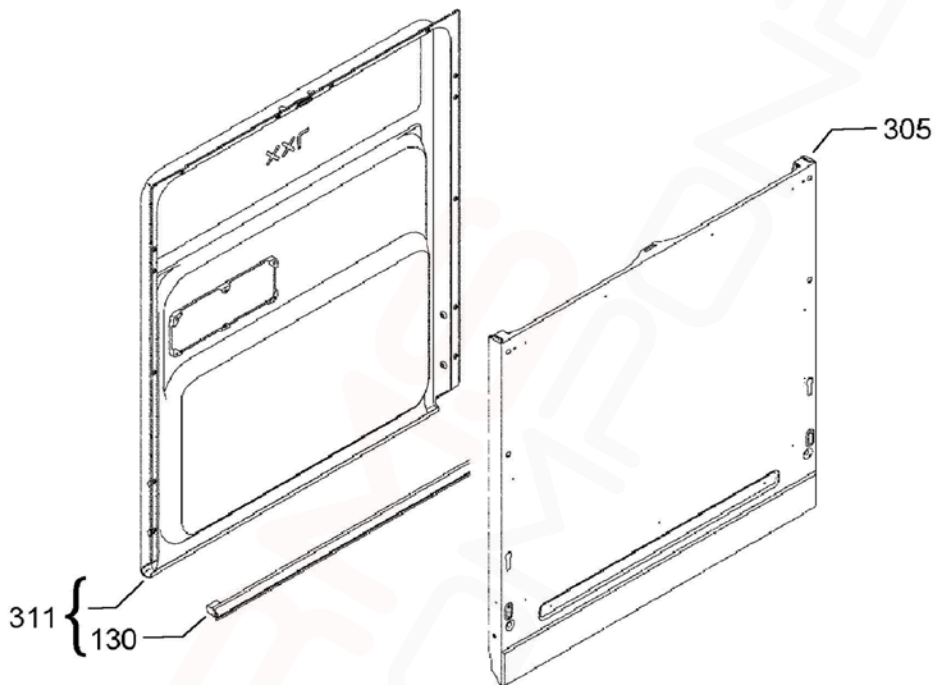


ITEM	PART N°	DESCRIPTION	EX. P09113027625	QTY
510	140008679239	PANEL CONTROL INOX ESL7510RO		1
525	1171114-10/9	BUTTON PUSH ONOFF INOX		1



P09113181066

ITEM	PART N°	DESCRIPTION	EX. P09113181066	QTY
143	8074857296	ROLLER BASKET UPPER ADJUST RH		1
	8074857304	ROLLER BASKET UPPER ADJUST LH		1
201	8074683072	SUPPORT SPIKES RUBBER – BLUE		2
319	140002678070	BASKET LOWER (INCL. ROLLERS)		1
319A	140002717050	BASKET UPPER		1
330	140002120073	HANDLE BASKET LOWER FRONT ELUX		1
330	140002120131	HANDLE BASKET UPPER FRONT		1
330A	140002121048	HANDLE BASKET LOWER REAR		1
330B	140002121030	HANDLE BASKET UPPER REAR		1
342	140001732035	BASKET CUTLERY - GREY		1
523B	140000450068	SUPPORT CUP – GREY		4
523G	8072611133	SUPPORT CUP WIRE – SILVER		1
523J	8081381017	BRACE SUPPORT CUP HOLDER - GREY		1
530	4055072138	ROLLER KIT LOWER BSKT (PKT 8)		4
580	8072828026	CLIP RACK FOLD DOWN BSKT LOWER		4
580A	140001417025	CLIP RACK FOLD DOWN BSKT UPPER		4
581A	8070657062	RACK FOLD DOWN BSKT UPPER LH		1
581B	8070658060	RACK FOLD DOWN BSKT UPPER RH		1
581D	140002411068	RACK FOLD DOWN BSKT LOWER		2



ITEM	PART N°	DESCRIPTION	EX. P09113203763	QTY
130	1173419001	GASKET DOOR LOWER BLACK		1
305	1171649492	PANEL DOOR OUTER ZINCPLATED		1
311	140001308042	PANEL DOOR INNER ST/ST DOROTEA		1
N.I.	1173234004	RIVET PLASTIC DOOR Ø12x19mm		1
N.I.	140003555277	KIT MOUNTING BUILT IN		1
N.I.	8090544506	STICKER PROGRAM GUIDE ESL8520RO		1

DISHWASHER ACCESSORY COMPONENTS



ITEM	PART N°	DESCRIPTION
1	ACC017	Scalex Plus Descaler Sachet 75gm
2	ACC100	Detergent Dishwasher 1kg
3	ACC102	Rinse Aid Additive 500mls
4	ACC103	Descaler Powder 350g (Dangerous Goods rules apply, min order Qty of 12)
5	ACC002	Dishwasher Salt 1kg Pack
6	ACC088	Support Spikes Rubber – Grey
N.I.	ACC107	Basket Cutlery Universal
N.I.	0571400142	Hose Drain Extension Straight Cuffs 2m
N.I.	ES5323K	Hose Drain Extension Kit (1M Length)