



# Electrolux

**ELECTROLUX HOME PRODUCTS PTY LTD**

ABN 51 004 762 341

Technical Publication N° DW372

Issue: 1

Date: 11/12

## ***ELECTROLUX ELECTRONIC DISHWASHER***

**TO BE USED IN CONJUNCTION WITH  
CIRCUIT and WIRING DIAGRAM PUBLICATION - DW300.**

***MODEL ESL67040RB IS USED BY THE SALES  
DEPARTMENT ONLY.***

***DWEB001 Integrated Door Panel Kit, is sold with the  
ESL67040R to create the new model, therefore the  
PNC is the same for BOTH models.***

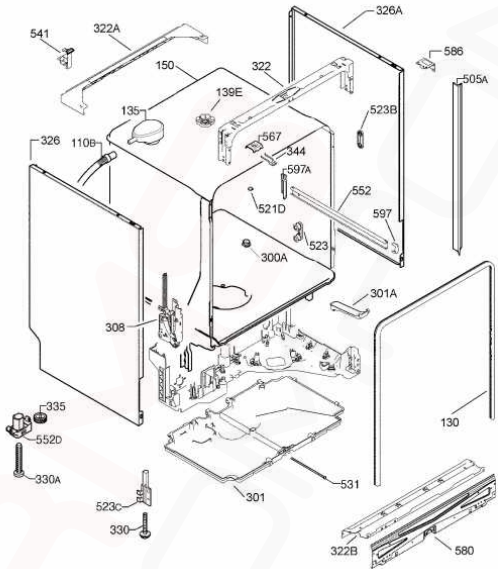
### **MODELS:**

**ESL67040R  
PNC 911434036 03  
ESL67040RB  
PNC 911434036 03**

<b>VARIANT CHANGE SUMMARY</b>	
-------------------------------	--

<b>03</b>	Door Inner, Circulation Pump, Drain Pump, Dispenser, PCB & Channel Drainage
-----------	-----------------------------------------------------------------------------

<b>SAFR</b>	
ESL67040R / 911434036 03	NOV 2012
ESL67040RB / 911434036 03	NOV 2012

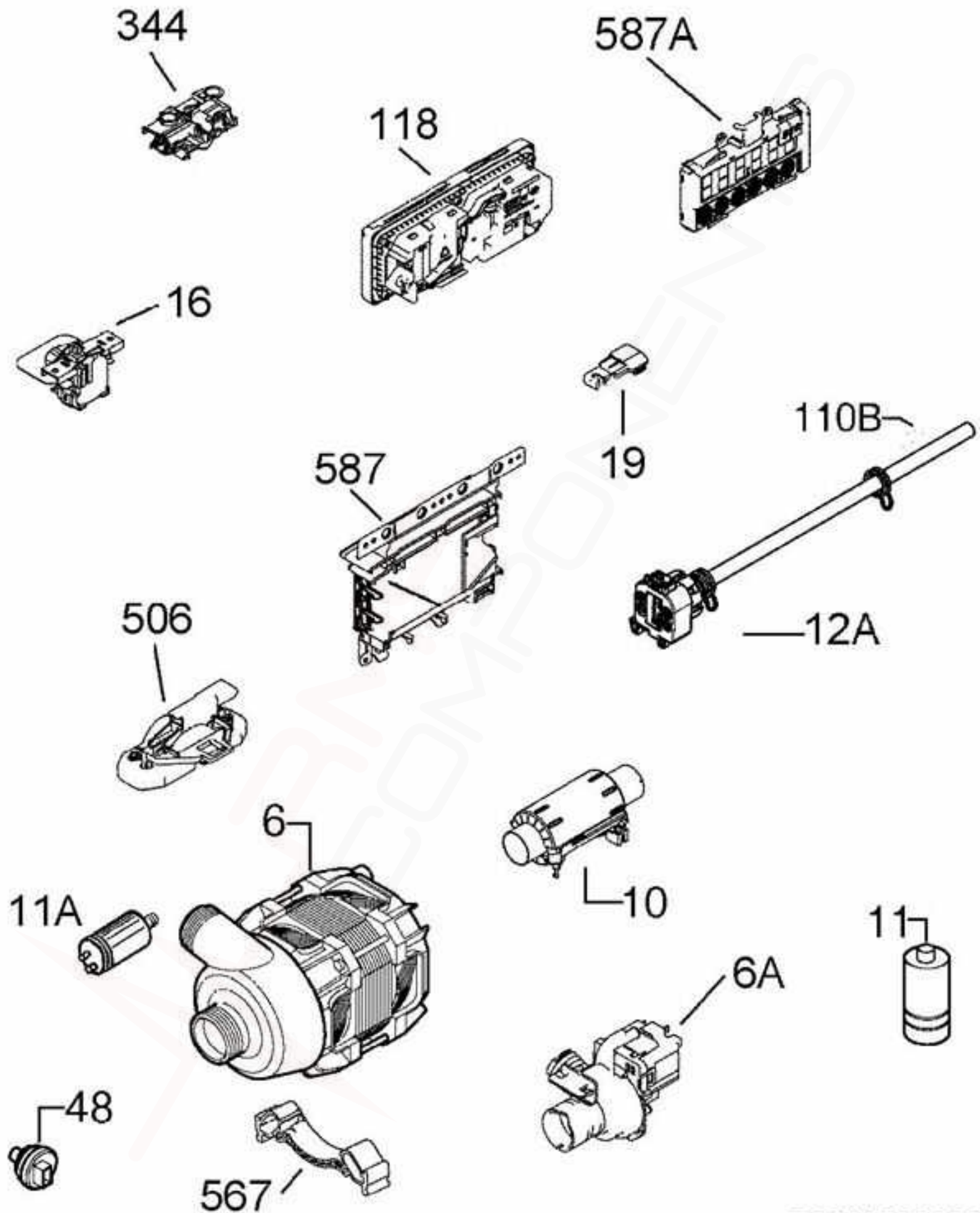


**MODELS: ESL67040R  
ESL67040RB**

**PNC 911434036 03  
PNC 911434036 03**

**EX. VIEW P09113098629  
CABINET & BASE  
ASSEMBLY**

ITEM	PART N°	DESCRIPTION	Ex. P09113098629	QTY
110B	<b>1172814202</b>	Drying Pipe Grey x 795mm Long		1
130	<b>1171580002</b>	Sealing Door x 1800mm Long		1
135	<b>1171458217</b>	Drying Activator		1
139E	<b>1119307013</b>	Spray Arm Top Nut		1
150	<b>N.P.A.</b>	Tub Assembly		-
300	<b>1119183000</b>	Cover Bottom Sprayer		1
301	<b>1171563024</b>	Bottom Tray		1
301A	<b>4055138376</b>	Kit Overflow Hose		1
308	<b>4055148409</b>	Kit Hinge Left-Right		1
322	<b>1171564733</b>	Crossbar Front Upper		1
322A	<b>1172379115</b>	Crossbar Back Upper		1
322B	<b>1171561051</b>	Cross Piece Front Bottom		1
326	<b>1174320224</b>	Side Panel Left Zinc-Plated		1
326A	<b>1174320323</b>	Side Panel Right Zinc-Plated		1
330	<b>1526617-02/0</b>	Adjustable Foot Front x 122mm Long		2
330A	<b>1173632009</b>	Adjustable Foot Central x 129 Long		1
335	<b>1527142-00/2</b>	Cog Wheel		1
344	<b>1522344-05/8</b>	Latch		1
505A	<b>1522222635</b>	Trimming Side x 609mm Long		2
521D	<b>1526576101</b>	Hole Cover Latch		1
523	<b>50299970009</b>	Wheel Support Kit Dark Grey (4 Pieces)		1
523B	<b>1521220-10/1</b>	Stiffening Holder Roller		4
523C	<b>1526315047</b>	Foot Support Front Left		1
	<b>1526315-13/8</b>	Foot Support Front Right		1
531	<b>1171738006</b>	Adjusting Screw Foot Central		1
541	<b>N.P.A.</b>	Hose Clamp		-
552	<b>1171989005</b>	Basket Rail		2
552D	<b>1173633007</b>	Guidance Rail Foot Central		1
567	<b>1523236-03/0</b>	Plaque (Speed Clip)		1
580	<b>1171654120</b>	Closure Front Bottom		1
586	<b>1172870014</b>	Fixing Bracket Top		2
597	<b>1520479401</b>	Basket Stop Upper Front		2
597A	<b>8996461234-05/7</b>	Stopper Back Dark Grey		2
N.I.	<b>1525001002</b>	Foil Aluminium Adhesive		1
N.I.	<b>1173722008</b>	Sponge Water Tank		1
N.I.	<b>1174277002</b>	Grommet Side Mounting		2



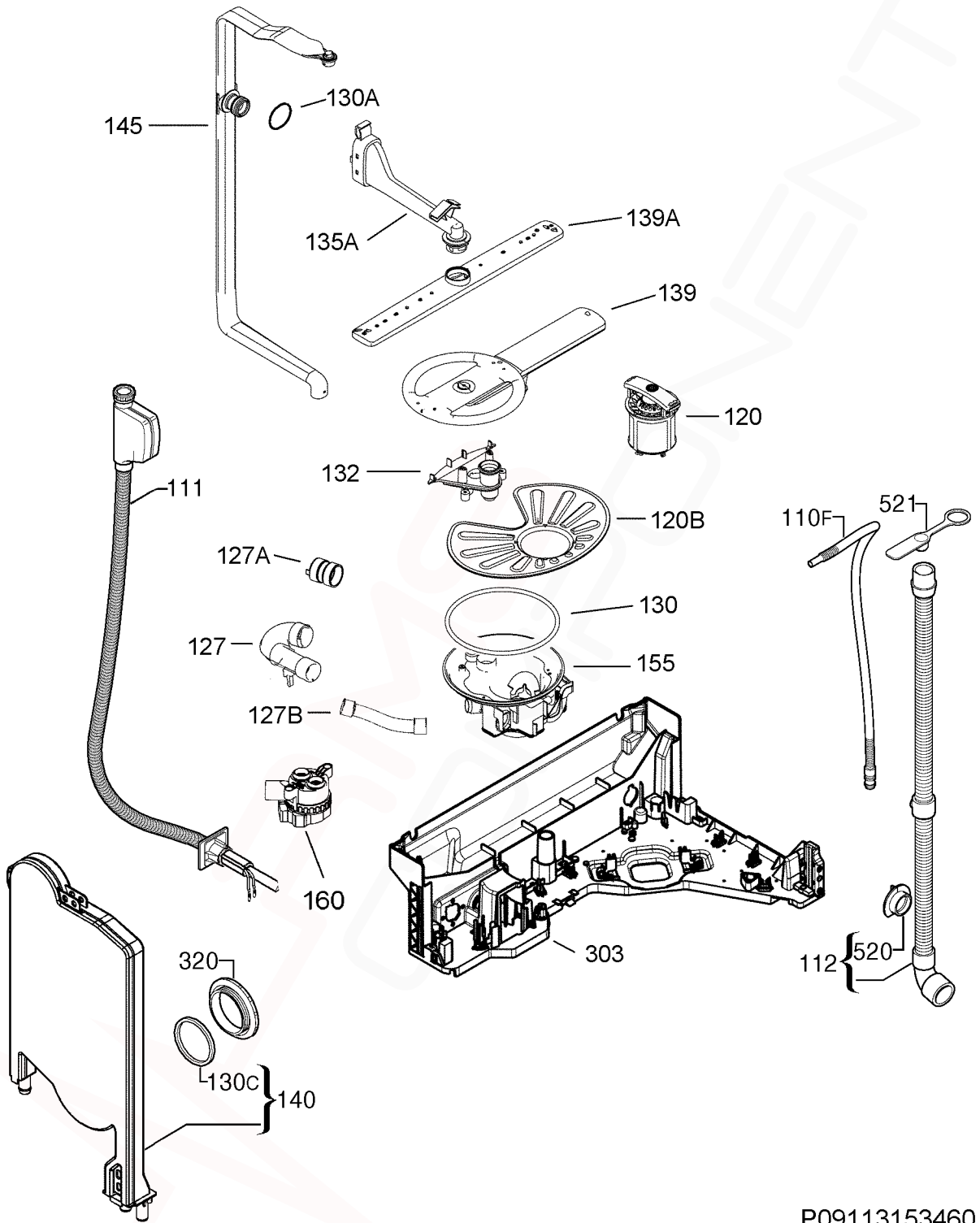
P09113098637

**MODELS:** **ESL67040R**  
**ESL67040RB**

**PNC 911434036 03**  
**PNC 911434036 03**

**EX. VIEW P09113098637**  
**ELECTRICAL**  
**COMPONENTS**

ITEM	PART N°	DESCRIPTION Ex. P09113098637	QTY
6	<b>140000696017</b>	Circulation Pump Tachometer Asynchronous	1
6A	<b>3286041615</b>	Drain Pump 50Hz.	1
10	<b>50297618-00/6</b>	Heater 230V/2000W Ø32mm	1
11	<b>3286023506</b>	Interference Suppressor	1
11A	<b>1115927012</b>	Capacitor Motor 3µf	1
12A	<b>1174745107</b>	Analogic Pressure Switch Complete	1
16	<b>1113337024</b>	Main Switch Auto Off	1
19	<b>1119555033</b>	Door Indicator Lamp DIVA2	1
48	<b>1113368003</b>	Turbidity Sensor NTC	1
110B	<b>1526815707</b>	Hose Pressure Switch Ø10 x 260mm Long	1
118	<b>140000775019</b>	Dispenser Detergent	1
344	<b>1113150401</b>	Door Lock Assembly	1
506	<b>1113174039</b>	Float Switch Assembly	1
567	<b>1173024009</b>	Motor Support Rubber	1
587	<b>973911434036035</b>	Configured Electronic EDW1xxx	1
587A	<b>1113363012</b>	User Interface Board EDW1503	1
N.I.	<b>1114038019</b>	Wiring Harn Main Elec Board User Interface	1
N.I.	<b>1114039165</b>	Wiring Harness Assembly	1
N.I.	<b>1173704006</b>	Rubber Drain Pump	1
N.I.	<b>1174034007</b>	Harn Main Elect Board Door Indicator Lamp	1
N.I.	<b>1170862310</b>	Power Cable AUS/NZ	1
N.I.	<b>1171864042</b>	Protection Wiring Harness	1
N.I.	<b>1170897308</b>	Terminal Cover	1



**MODELS: ESL67040R**  
**ESL67040RB**

**PNC 911434036 03**  
**PNC 911434036 03**

**EX. VIEW P09113153460**  
**SUMP, PUMP and**  
**HYDRAULICS SYSTEM**

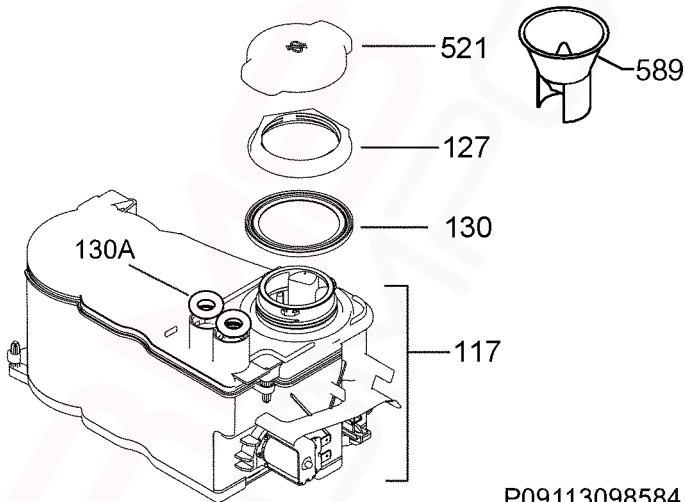
ITEM	PART N°	DESCRIPTION	Ex. P9113153460	QTY
110F	1118698701	Ventilating Tube ACTIVE x 1600mm Long		1
111	4055125068	Inlet Hose Aqua-Control x 1800mm Long		1
112	1527820300	Discharge Hose Installation		1
120	1119161105	Drain Filter Assembly		1
120B	1119209011	Filter Flat		1
127	1119164018	Hose Sump Heater		1
127A	1119165007	Hose Heater Circulation Pump		1
127B	1119155040	Hose Water Softener Sump		1
130	1119186003	O-Ring Sump		1
130A	1523119-01/2	Seal Channel Drainage		1
130C	N.P.A.	Round Seal Container Cup		-
132	1119158119	Lower Spray Arm Support		1
135A	140000409015	Channel Drainage Grey Complete		1
139	1119208120	Spray Arm Assembly Grey		1
139A	1119159315	Upper Spray Arm Grey		1
140	1170481426	Tank Water Small		1
145	1119447108	Manifold Outer		1
155	1119151270	Water Sump Assembly		1
160	1113161010	Flow Control Regulator		1
303	1171581026	Basement		1
320	1526272-10/7	Grill Vapour Outlet Dark Grey		1
520	N.P.A.	Flange Discharge Pipe		1
521	N.P.A.	Stopper Drainage Hose		-
N.I.	1526815400	Tube Container Cup Fill Valve x 275mm Long		1
N.I.	1400000592015	Sealing Pressure Switch		1
N.I.	1529175109	Fixing Clamp Sensor 35.6		1

**NOTE: Total Drain Hose length must not exceed 4 metres.**

If a Customer needs to extend their Drain Hose, order the following components:  
0571400142 Hose Drain (2M length), 0182200002 Ferrule Hose Joiner (19mm)  
and 2 x 0005001019 Clamp.

For extensions less than 2 metres, use ES5323K Kit Hose Flex Drain (1M).





P09113098584

9113098584

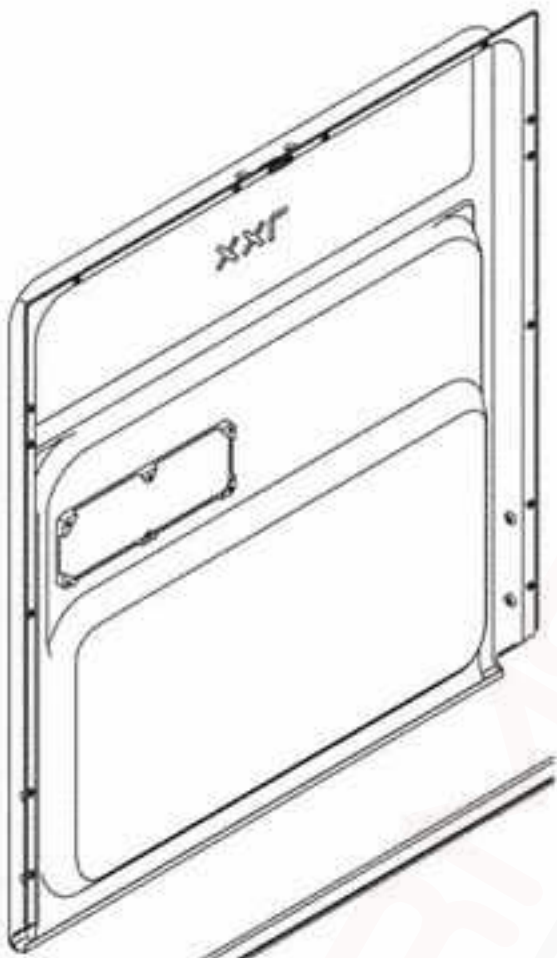
**MODELS: ESL67040R  
ESL67040RB**

**PNC 911434036 03  
PNC 911434036 03**

**EX. VIEW P09113098584  
REGENERATION TANK  
ASSEMBLY**

<b>ITEM</b>	<b>PART N°</b>	<b>DESCRIPTION</b>	<b>Ex. P09113098584</b>	<b>QTY</b>
117	<b>1174849008</b>	Water Softener Complete		1
127	<b>1119195103</b>	Nut Water Softener		1
130	<b>1119196010</b>	Gasket Water Softener		1
130A	<b>1526505-00/1</b>	Grommet Decalcifier H=13mm		1
521	<b>1119192100</b>	Cap Water Softener		1
589	<b>1172107300</b>	Filling Funnel Dishwasher Salt Transparent		1

311



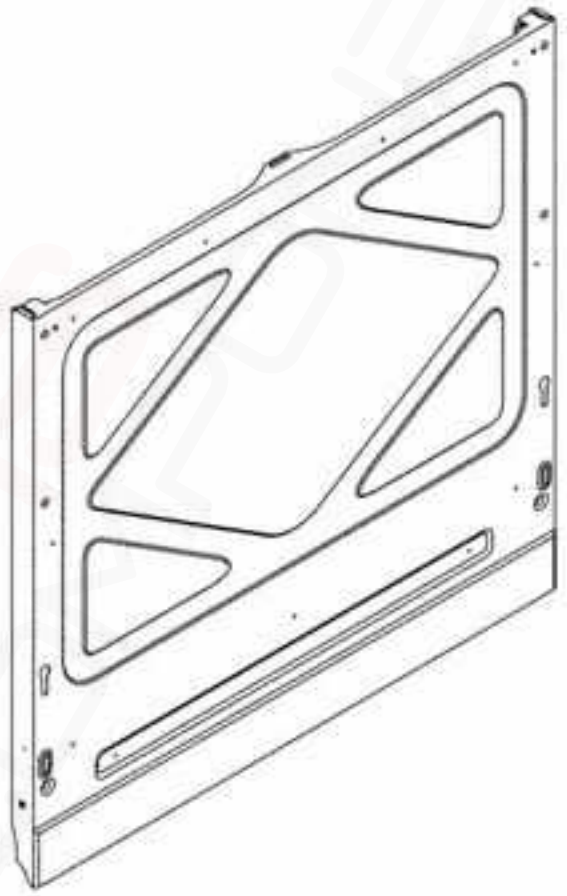
130



563



305



**MODELS: ESL67040R**  
**ESL67040RB**

**PNC 911434036 03**  
**PNC 911434036 03**

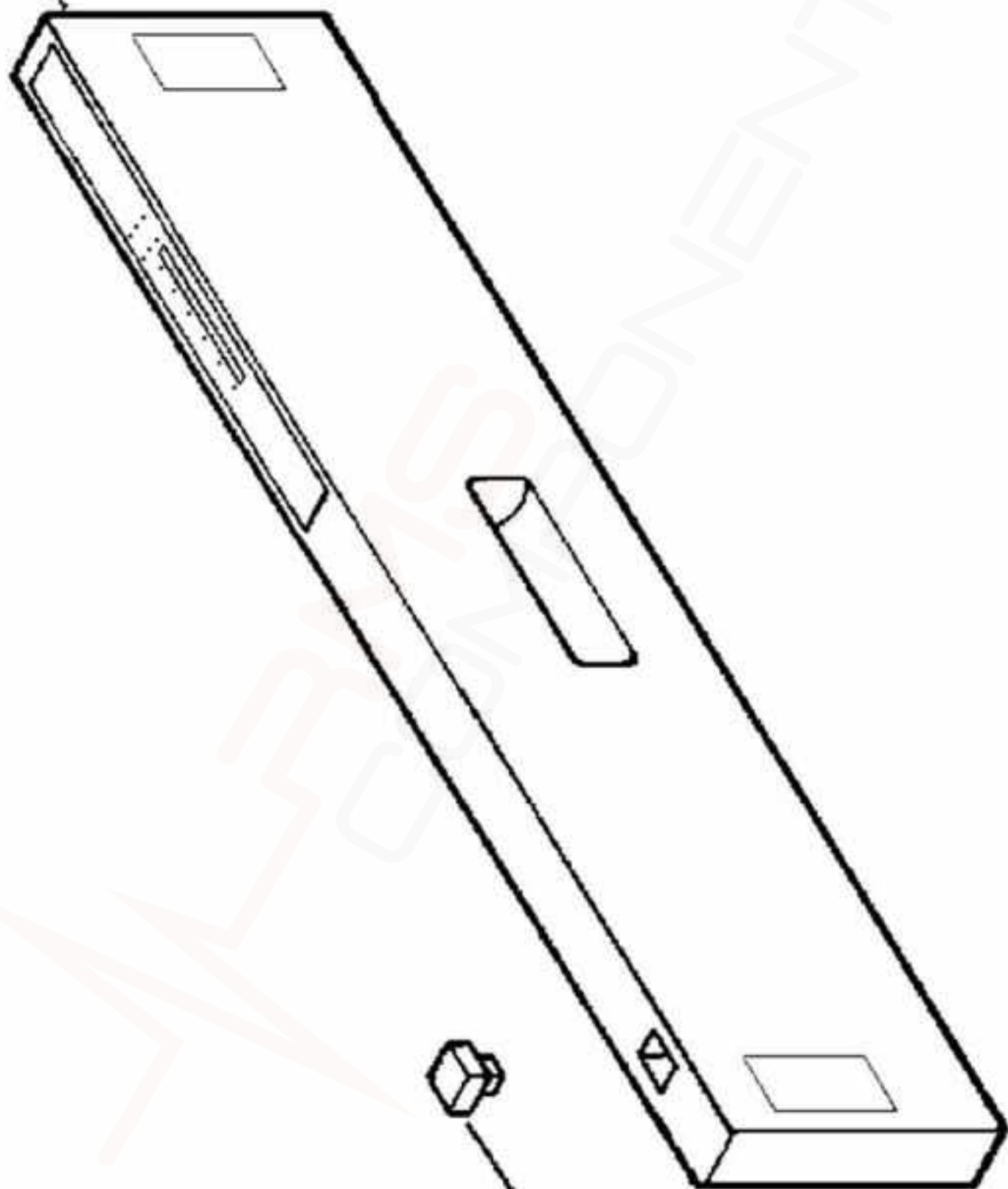
**EX. VIEW P09113013682**  
**DOOR COMPLETE**  
**ASSEMBLY**

ITEM	PART N°	DESCRIPTION	Ex. P09113013682	QTY
130	<b>1173419001</b>	Door Gasket Bottom Black x 546mm Long		1
305	<b>1171649302</b>	Door Zinc-Plated		1
311	<b>4055079539</b>	Inner Door Complete		1
563	<b>1051157004</b>	Peg Panel		2
N.I.	<b>1173101047</b>	Template Built-In		1
N.I.	<b>1173234004</b>	Plastic Rivet Door Ø12mm x 19mm Long		1
N.I.	<b>50290016000</b>	Kit Peg Door Panel		1
N.I.	<b>*DWEB001</b>	Door Ebony Kit ( <b>ESL67040RB Only</b> )		1
N.I.	<b>**0050010765K</b>	Handle Door Kit ( <b>ESL67040RB Only</b> )		1

\* Order this Part N°. for Outer Door Panel replacement.  
 (Contains Black Outer Door Panel, Door Handle and Screws)

\*\* Order this Part N°. for Door Handle replacement only

510



525



9113027625

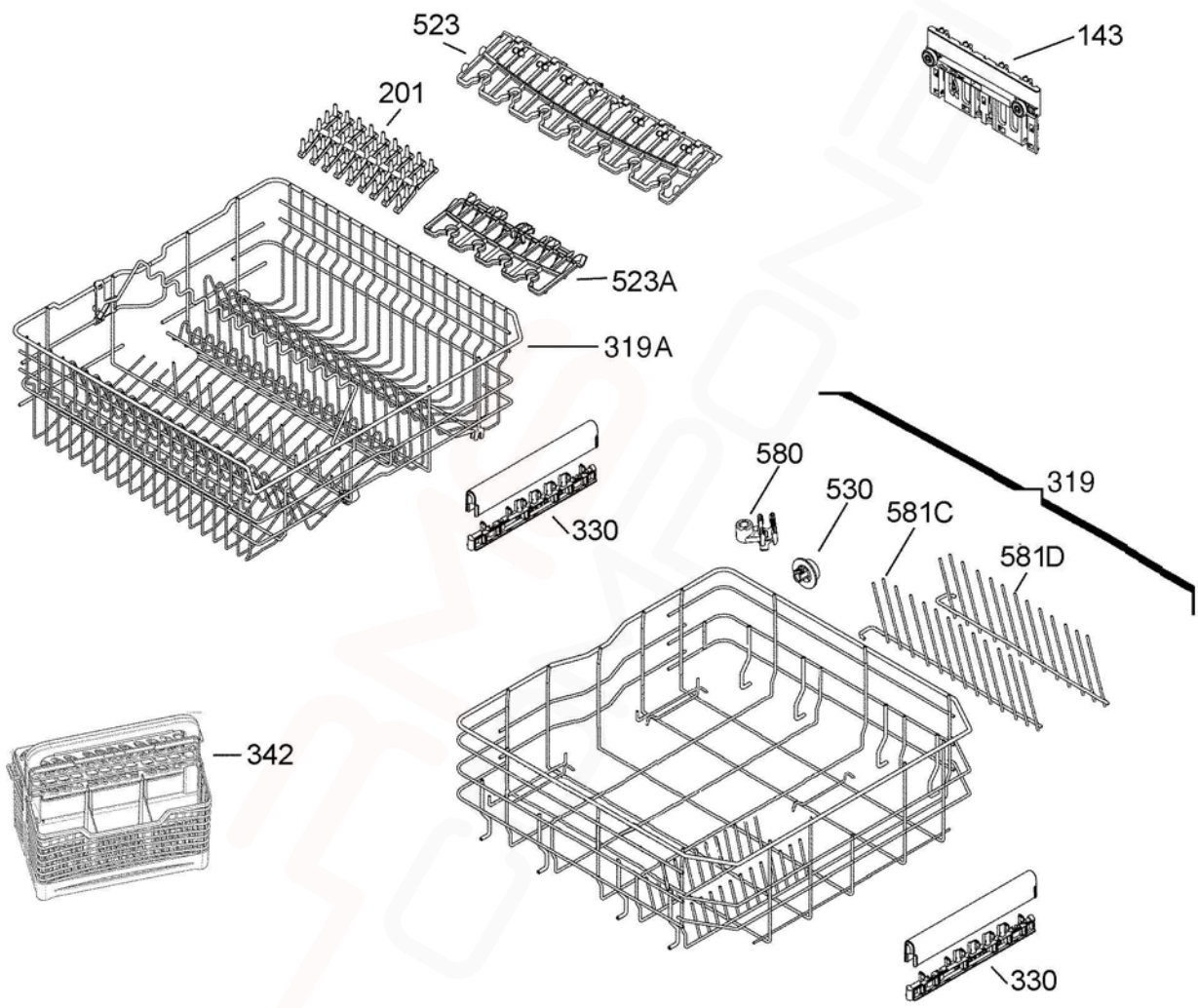
9113027625

**MODELS: ESL67040R  
ESL67040RB**

**PNC 911434036 03  
PNC 911434036 03**

**EX. VIEW 9113027625  
CONTROL PANEL**

<b>ITEM</b>	<b>PART N°</b>	<b>DESCRIPTION</b>	<b>Ex. 9113027625</b>	<b>QTY</b>
510	<b>1174104008</b>	Control Panel Silkscreened Complete		1
525	<b>1172912204</b>	ON/OFF Button Grey		1



9113086638

**MODELS: ESL67040R**  
**ESL67040RB**

**PNC 911434036 03**  
**PNC 911434036 03**

**EX. VIEW P09113086638**  
**BASKET ASSEMBLY**

<b>ITEM</b>	<b>PART N°</b>	<b>DESCRIPTION</b>	<b>Ex. P09113086638</b>	<b>QTY</b>
143	<b>1172471235</b>	Adjustment Right		1
	<b>1172471334</b>	Adjustment Left		1
201	<b>1119349205</b>	Spikes Rubber		2
319	<b>1171745027</b>	Dishwasher Basket Bottom Dark Grey		1
319A	<b>1119234373</b>	Dishwasher Basket Upper Dark Grey		1
330	<b>4055072120</b>	Handle Complete		2
342	<b>1119343109</b>	Cutlery Basket Grey 244x258x144mm		1
523	<b>1172468116</b>	Support Cup Grey Long		1
523A	<b>1172467118</b>	Support Cup Grey Short		2
530	<b>4055072138</b>	Wheel Kit (8 Pieces)		1
580	<b>1171867102</b>	Fixing Clamp Partition		4
581C	<b>1172588004</b>	Partition Left x 333mm Long		2
581D	<b>1172588103</b>	Partition Right x 333mm Long		2