

Electrolux

ELECTROLUX HOME PRODUCTS PTY LTD

ABN 51 004 762 341

Technical Publication N° RH332

Issue: 1

Date: 10/11

ELECTROLUX ELECTRONIC DISHWASHER

**TO BE USED IN CONJUNCTION WITH
CIRCUIT and WIRING DIAGRAM PUBLICATION - DW300.**

***MODEL ESL67040RB IS USED BY THE SALES
DEPARTMENT ONLY.***

***DWEB001 Integrated Door Panel Kit, is sold with the
ESL67040R to create the new model, therefore the
PNC is the same for BOTH models.***

MODELS:

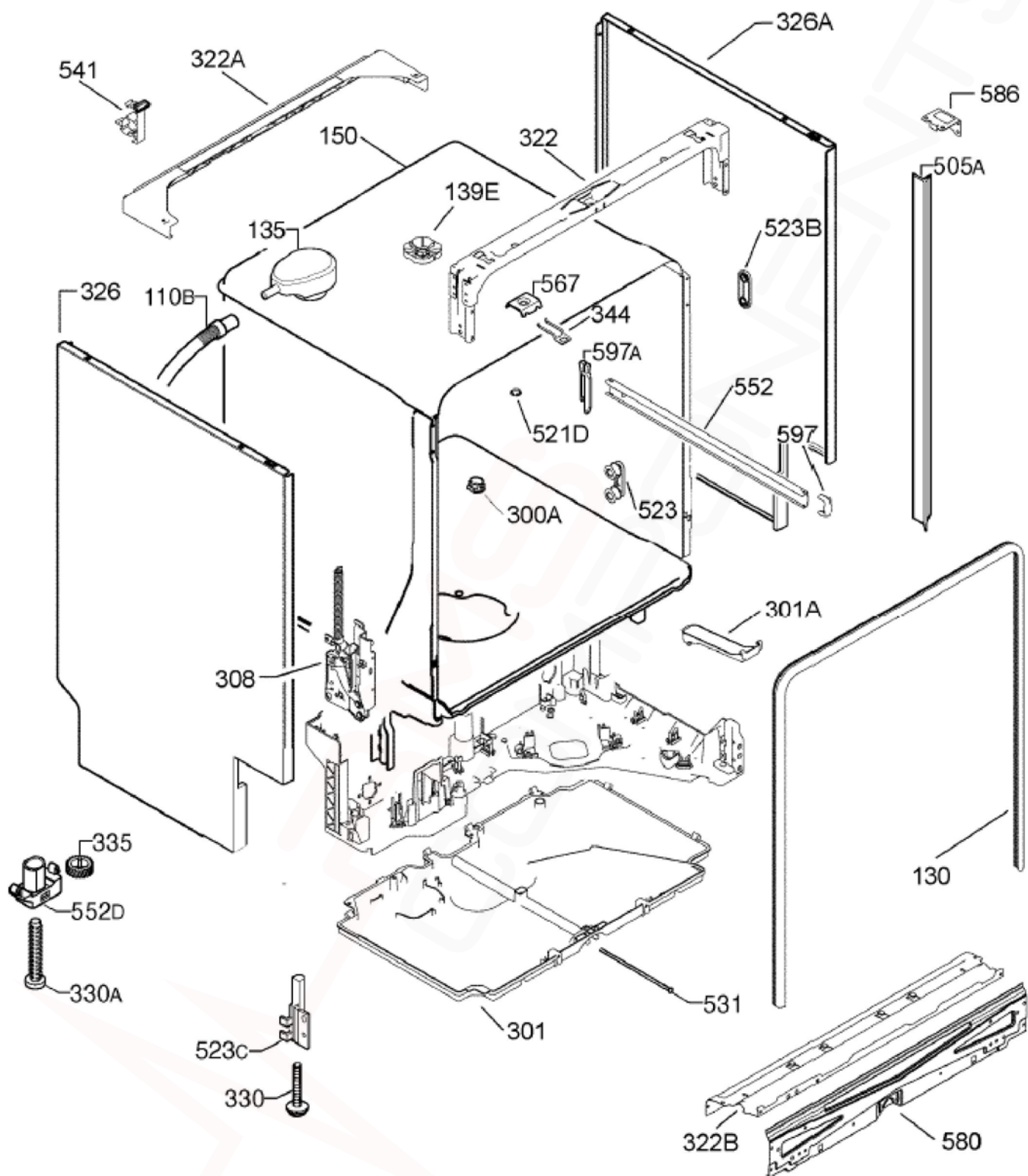
**ESL67040R
PNC 911434036 01
ESL67040RB
PNC 911434036 01**

VARIANT CHANGE SUMMARY	
-------------------------------	--

01	Modifications to Closure Front Bottom, Side Panels, Pressure Sensor, Sump, Door Zinc, Hinges, P.C.B. & Harness
-----------	--

SAFR	
-------------	--

ESL67040R / 911434036 01	10/2011
ESL67040RB / 911434036 01	10/2011

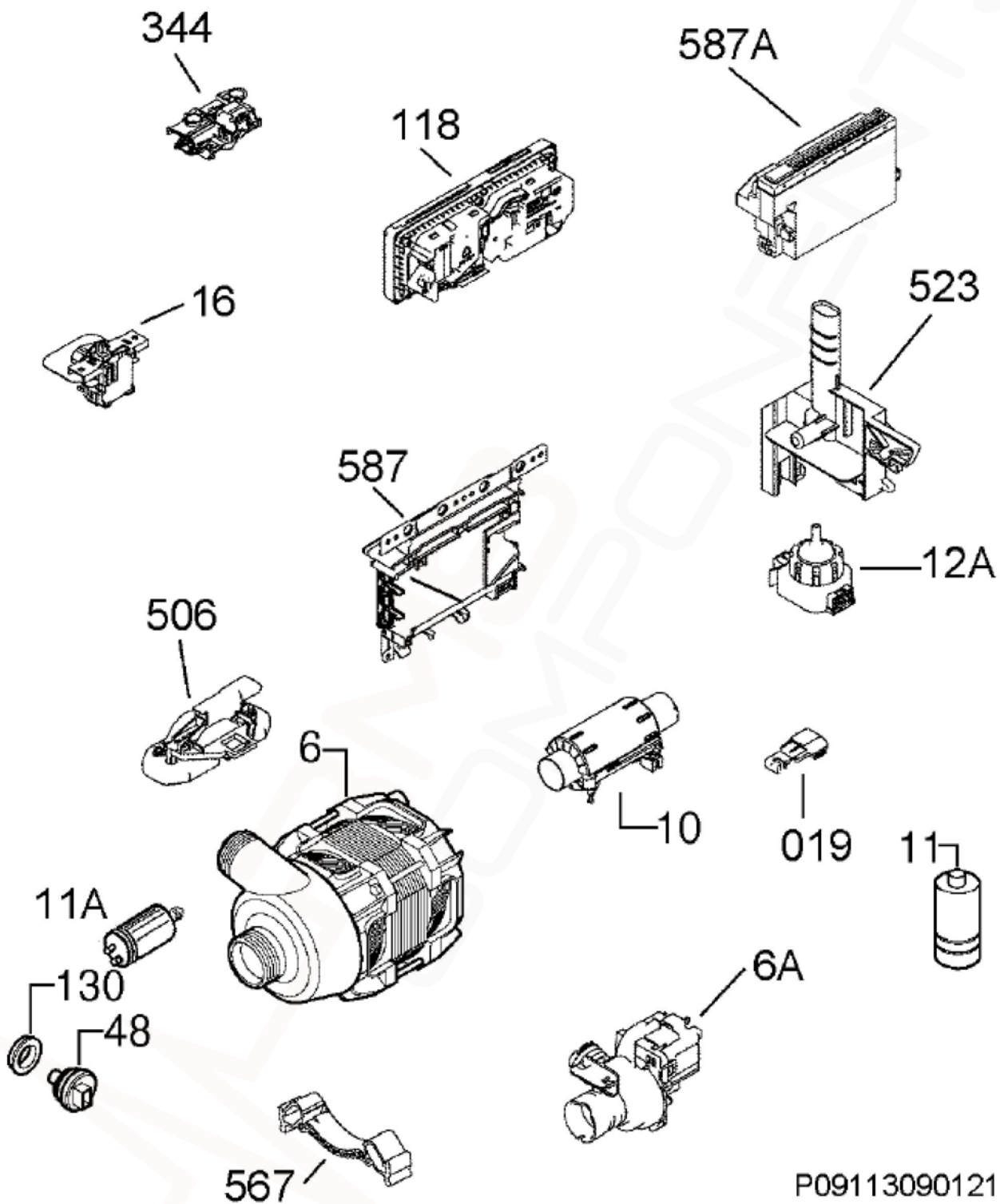


**MODELS: ESL67040R
ESL67040RB**

**PNC 911434036 01
PNC 911434036 01**

**EX. VIEW P09113085259
CABINET & BASE
ASSEMBLY**

ITEM	PART N°	DESCRIPTION	Ex. P09113085259	QTY
110B	1172814202	Drying Pipe Grey x 795mm Long		1
130	1171580002	Sealing Door x 1800mm Long		1
135	1171458217	Drying Activator		1
139E	1119307013	Spray Arm Top Nut		1
150	N.P.A.	Tub Assembly		-
300A	1119183000	Cover Bottom Sprayer		1
301	1171563024	Bottom Tray		1
301A	4055138376	Kit Overflow Hose		1
308	4055148409	Kit Hinge Left-Right		1
322	1171564717	Crossbar Front Upper		1
322A	1172379040	Crossbar Back Upper		1
322B	1171561051	Cross Piece Front Bottom		1
326	1174320000	Side Panel Left Zinc-Plated		1
326A	1174320109	Side Panel Right Zinc-Plated		1
330	1526617-02/0	Adjustable Foot Front		2
330A	1173632009	Adjustable Foot Central		1
335	1527142-00/2	Cog Wheel		1
344	1173444009	Latch Door Lock		1
505A	1522222635	Trimming Side x 609mm Long		2
521D	1526576101	Hole Cover Latch		1
523	50299970009	Wheel Support Kit Dark Grey (4 Pieces)		1
523B	1521220-10/1	Stiffening Holder Roller		4
523C	1526315047	Foot Support Front Left		1
523C	1526315-13/8	Foot Support Front Right		1
531	1171738006	Adjusting Screw Foot Central		1
541	N.P.A.	Hose Clamp		-
552	1171989005	Basket Rail		2
552D	1173633007	Guidance Rail Foot Central		1
567	1523236-03/0	Plaque (Speed Clip)		1
580	1171654120	Closure Front Bottom		1
586	1172870014	Fixing Bracket Top		2
597	1520479-30/2	Basket Stop Front Dark Grey		2
597A	8996461234-05/7	Stopper Back Dark Grey		2
N.I.	ES6060	Foil Aluminium Adhesive		1
N.I.	1173722008	Sponge Water Tank		1



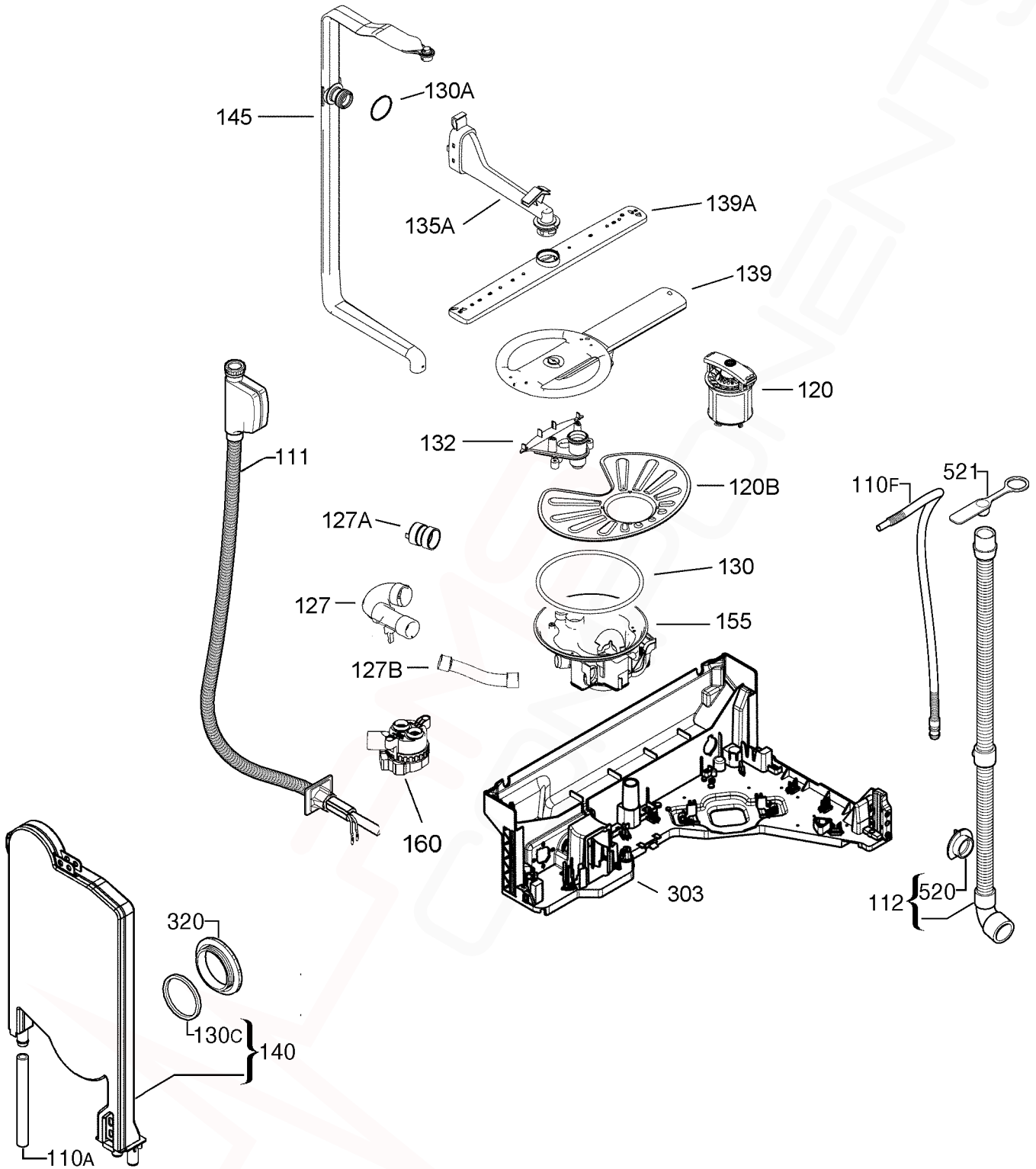
P09113090121

**MODELS: ESL67040R
ESL67040RB**

**PNC 911434036 01
PNC 911434036 01**

**EX. VIEW P09113090121
ELECTRICAL
COMPONENTS**

ITEM	PART N°	DESCRIPTION Ex. P09113090121	QTY
6	1113171043	Washing Pump Tachometer Asynchronous	1
6A	1113172306	Drain Pump	1
10	50297618-00/6	Heating Element 230V/2000W Ø32mm	1
11	1113155038	Interference Capacitor	1
11A	1115927012	Capacitor Motor 3µf	1
12A	1325162046	Analogic Pressure Switch ELBI	1
16	1113337024	Main Switch Auto Off	1
19	1119555033	Door Indicator Lamp	1
48	1113160004	Temperature Sensor Turbidity Sensor	1
118	1113338311	Dispenser Detergent	1
130	0208400152	Sealing Sleeve Temperature Sensor	1
344	1113150401	Door Lock Assembly	1
506	1113174039	Float Switch Assembly	1
523	1119495016	Pressure Sensor Support	1
567	1173024009	Motor Support Rubber	1
587	973911434036019	Configured Electronic EDW1xxx	1
587A	1113363012	User Interface Board EDW1503--	1
N.I.	1114038019	Wiring Harn Main Elec Board User Interface	1
N.I.	1114039165	Wiring Harness Assembly	1
N.I.	1173704006	Drain Pump Damper Rubber	1
N.I.	1174034007	Harness Main Elect Board Door Indicator Lamp	1
N.I.	1170862-31/0	Power Cable AUS/NZ	1
N.I.	1170897308	Terminal Cover	1



MODELS: ESL67040R
ESL67040RB

PNC 911434036 01
PNC 911434036 01

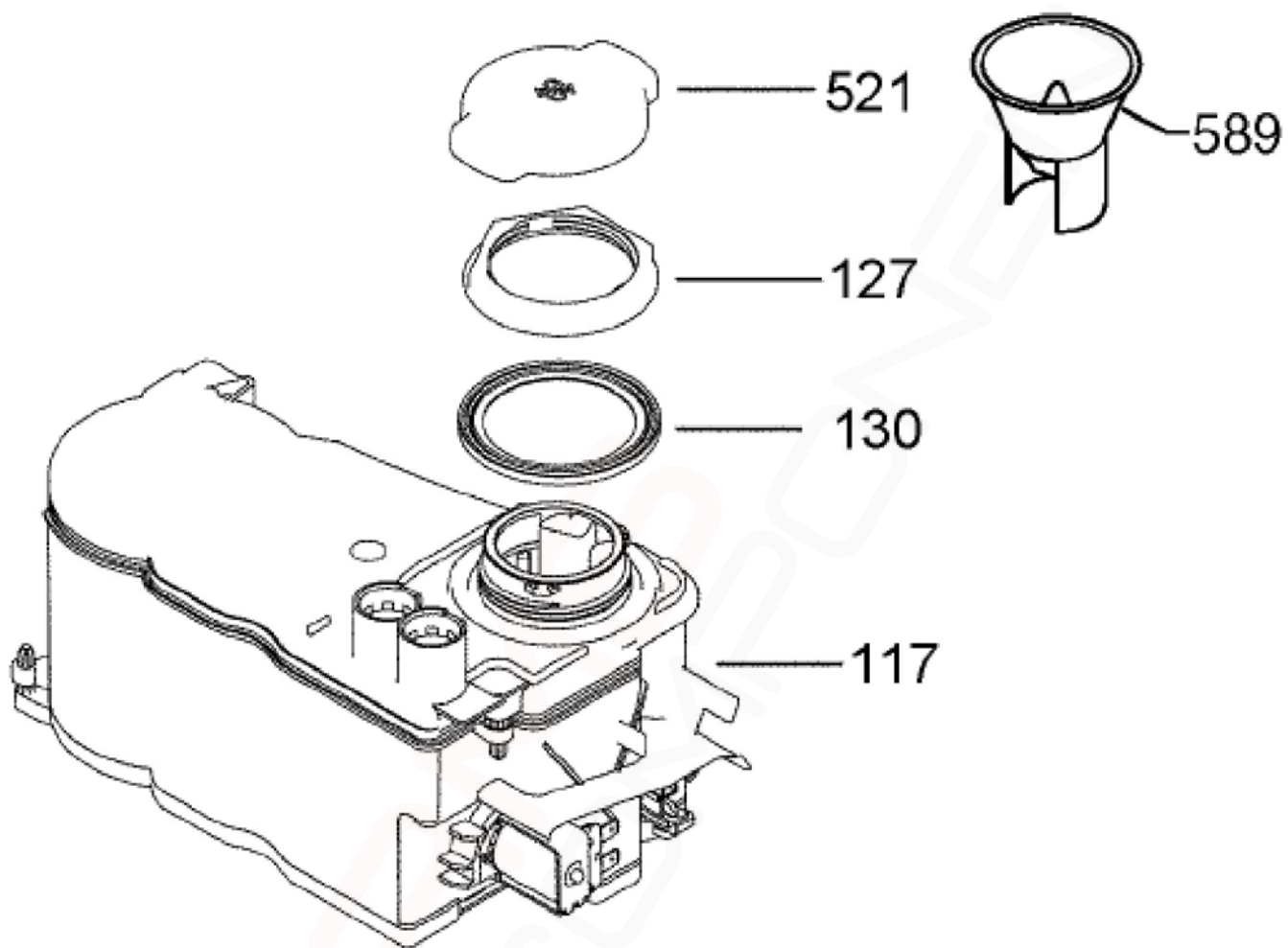
EX. VIEW P09113085548
SUMP, PUMP and
HYDRAULICS SYSTEM

ITEM	PART N°	DESCRIPTION	Ex. P09113085548	QTY
110A	1526815400	Tube Container Cup Fill Valve x 275mm Long		1
110F	1118698701	Ventilating Tube ACTIVE x 1600mm Long		1
111	4055125068	Inlet Hose Water Block x 1800mm Long		1
112	1527820300	Discharge Hose Installation		1
120	1119161105	Drain Filter Assembly		1
120B	1119209011	Filter Flat		1
127	1119164018	Hose Sump Heater		1
127A	1119165007	Hose Heater Circulation Pump		1
127B	1119155040	Hose Water Softener Sump		1
130	1119186003	O-Ring Sump		1
130A	1523119-01/2	Seal Channel Drainage		1
130C	50659231-00/0	Round Seal Container Cup		1
132	1119158119	Lower Spray Arm Support		1
135A	1119340113	Channel Drainage Grey Complete		1
139	1119208120	Spray Arm Assembly Grey		1
139A	1119159315	Upper Spray Arm Grey		1
140	1170481426	Tank Water Small		1
145	1119447108	Manifold Outer		1
155	1119151254	Water Sump Assembly		1
160	1113161010	Flow Control Regulator		1
303	1171581026	Basement		1
320	1526272-10/7	Grill Vapour Outlet Dark Grey		1
520	N.P.A.	Flange Discharge Pipe		-
521	N.P.A.	Stopper Drainage Hose		-
N.I.	1529175109	Fixing Clamp Sensor 35.6		1
N.I.	4055034963	Service Kit Electric Cable Sensor		1

NOTE: Total Drain Hose length must not exceed 4 metres.

If a Customer needs to extend their Drain Hose, order the following components:
0571400142 Hose Drain (2M length), 0182200002 Ferrule Hose Joiner (19mm)
and 2 x 0005001019 Clamp.

For extensions less than 2 metres, use ES5323K Kit Hose Flex Drain (1M).



9113063167

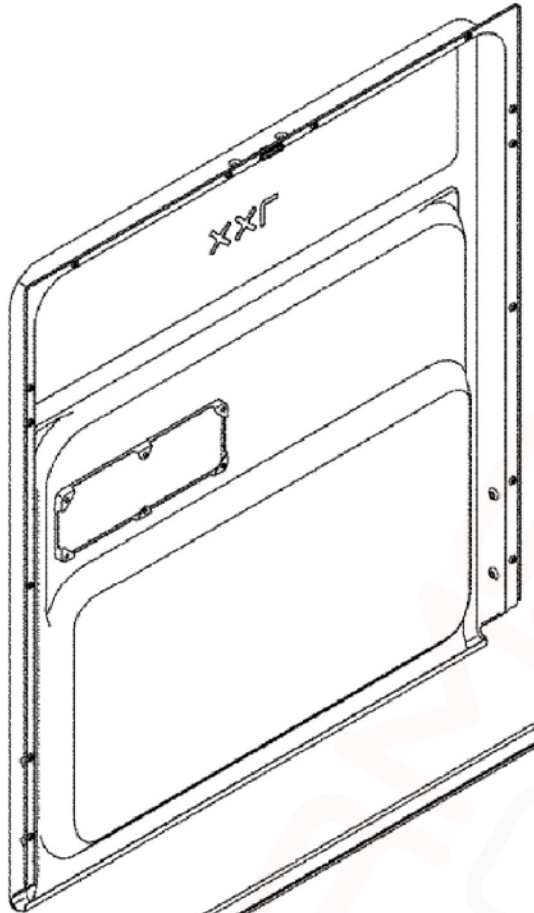
**MODELS: ESL67040R
ESL67040RB**

**PNC 911434036 01
PNC 911434036 01**

**EX. VIEW 9113063167
REGENERATION TANK
ASSEMBLY**

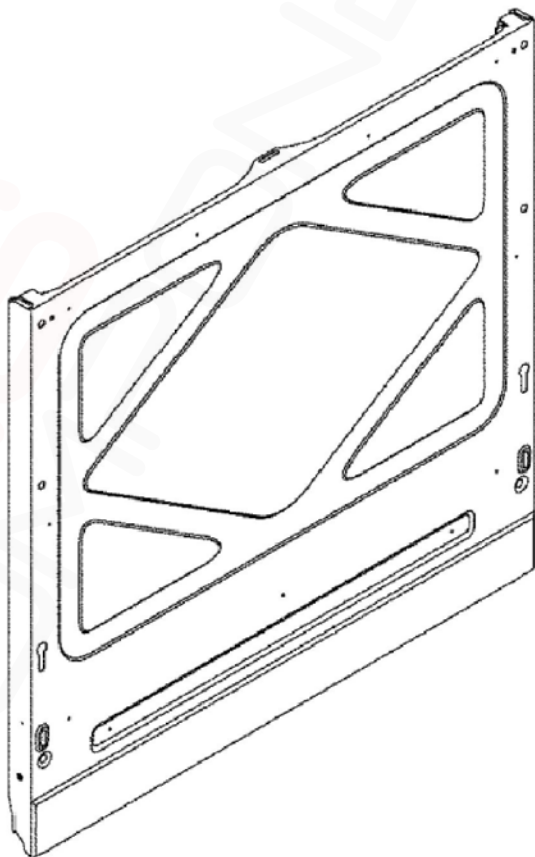
ITEM	PART N°	DESCRIPTION	Ex. 9113063167	QTY
117	1119191029	Water Softener Assembly		1
127	1119195103	Nut Water Softener		1
130	1119196010	Gasket Water Softener		1
521	1119192100	Cap Water Softener		1
589	1172107300	Filling Funnel Dishwasher Salt Transparent		1

311



130

305



9113081654

**MODELS: ESL67040R
ESL67040RB**

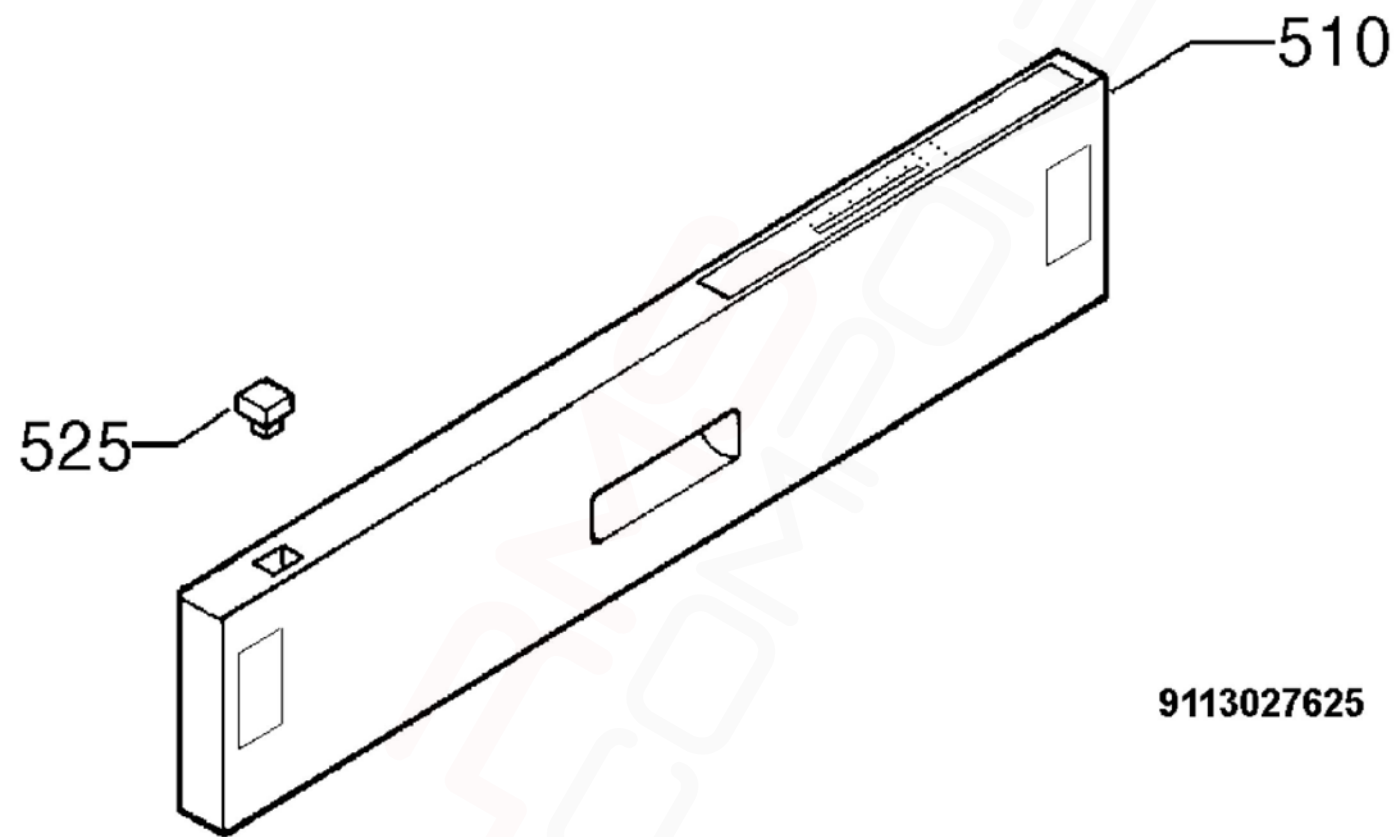
**PNC 911434036 01
PNC 911434036 01**

**EX. VIEW P09113081654
DOOR COMPLETE
ASSEMBLY**

ITEM	PART N°	DESCRIPTION Ex. P09113081654	QTY
130	1173419001	Door Gasket Bottom Black x 546mm Long	1
305	1171649302	Door Zinc - Plated	1
311	4055071338	Inner Door Complete	1
N.I.	50290016-00/0	Kit Peg Door Panel	1
N.I.	* DWEB001	Door Ebony Kit (ESL67040RB Only)	1
N.I.	** 0050010765K	Handle Door Kit (ESL67040RB Only)	-

* Order this Part N°. for Outer Door Panel replacement.
(Contains Black Outer Door Panel, Door Handle and Screws.)

** Order this Part N°. for Door Handle replacement only



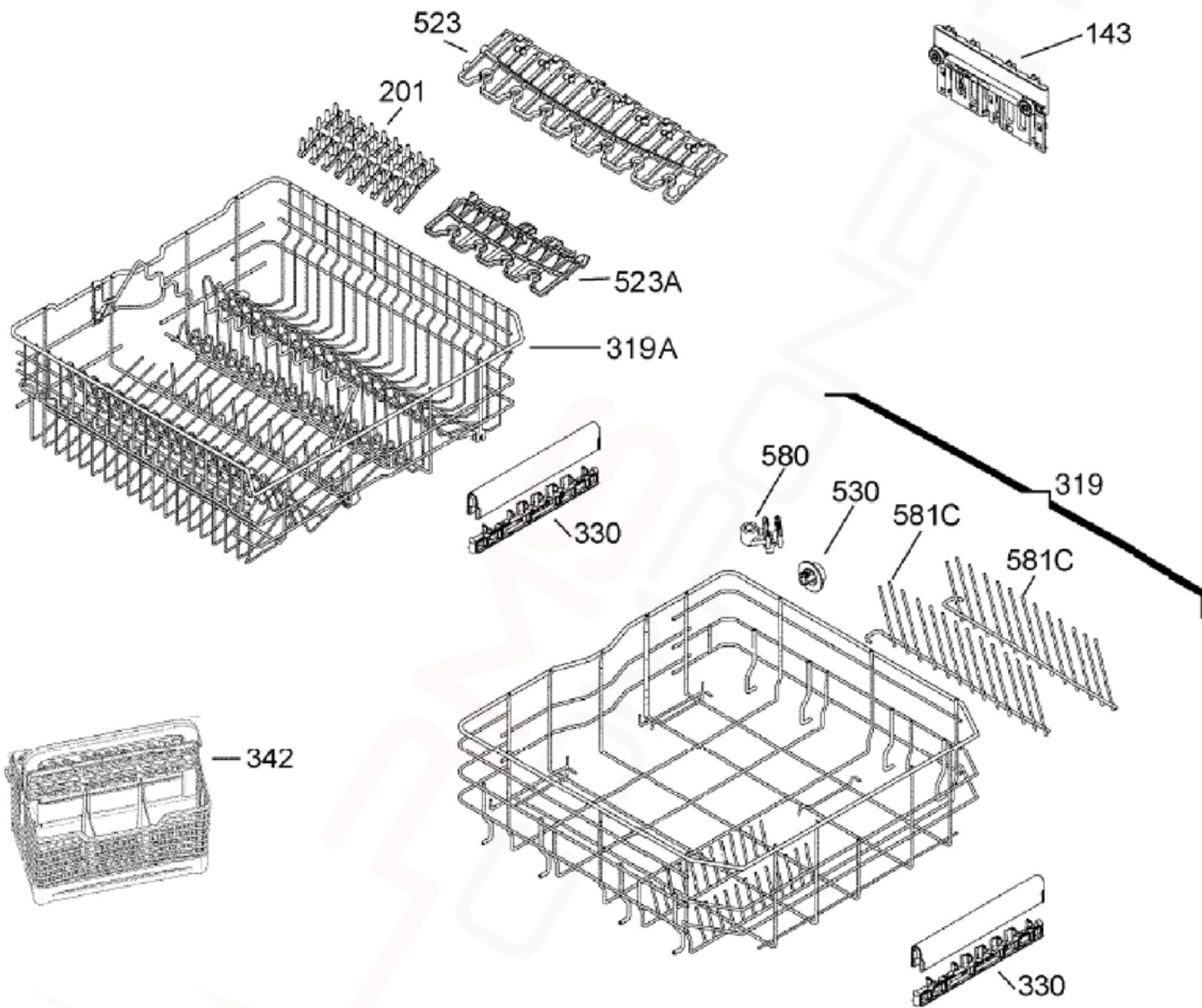
9113027625

**MODELS: ESL67040R
ESL67040RB**

**PNC 911434036 01
PNC 911434036 01**

**EX. VIEW 9113027625
CONTROL PANEL**

ITEM	PART N°	DESCRIPTION	Ex. 9113027625	QTY
510	1174104008	Control Panel Silkscreened Complete		1
525	1172912204	ON/OFF Button Grey		1



9113086638

**MODELS: ESL67040R
ESL67040RB**

**PNC 911434036 01
PNC 911434036 01**

**EX. VIEW P09113086638
BASKET ASSEMBLY**

ITEM	PART N°	DESCRIPTION	Ex. P09113086638	QTY
143	1172471235	Adjustment Right		1
	1172471334	Adjustment Left		1
201	1119349205	Spikes Rubber		2
319	1171745027	Dishwasher Basket Bottom		1
319A	1119234373	Dishwasher Basket Upper		1
330	4055072120	Handle Complete		2
342	1119343109	Cutlery Basket Grey		1
523	1172468116	Support Cup Grey Long		1
523A	1172467118	Support Cup Grey Short		2
530	4055072138	Wheel Kit (8 Pieces)		1
580	1171867102	Fixing Clamp Partition		1
581C	1172588004	Partition Left x 333mm Long		2
	1172588103	Partition Right x 333mm Long		2