

**Electrolux**

**ELECTROLUX HOME PRODUCTS PTY LTD**

ABN 51 004 762 341

Technical Publication N° DW296

Issue: 2

Date: 10/11

***ELECTROLUX  
ELECTRONIC DISHWASHER***

***TO BE USED IN CONJUNCTION WITH  
CIRCUIT and WIRING DIAGRAM PUBLICATION - DW300.***

***MODEL ESL67040RB IS USED BY THE SALES  
DEPARTMENT ONLY.***

***DWEB001 Integrated Door Panel Kit, is sold with the  
ESL67040R to create the new model, therefore the  
PNC is the same for BOTH models.***

***MODELS:***

**ESL67040R  
PNC 911434036 00  
ESL67040RB  
PNC 911434036 00**

<b>VARIANT CHANGE SUMMARY</b>	
-------------------------------	--

<b>00</b>	<b>INTRODUCTION</b>
-----------	---------------------

<b>SAFR</b>	
-------------	--

ESL67040R / 911434036 00	07/2011
ESL67040RB / 911434036 00	10/2011



**MODELS: ESL67040R  
ESL67040RB**

**PNC 911434036 00  
PNC 911434036 00**

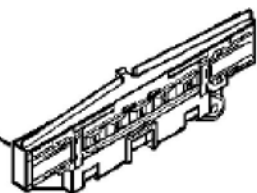
**EX. VIEW P09113081650  
CABINET & BASE  
ASSEMBLY**

ITEM	PART N°	DESCRIPTION	Ex. P09113081650	QTY
110B	1172814202	Drying Pipe Grey x 795mm Long		1
130	1171580002	Sealing Door x 1800mm Long		1
135	1171458217	Drying Activator		1
139E	1119307013	Spray Arm Top Nut		1
150	N.P.A.	Tub		-
300A	1119183000	Cover Bottom Sprayer DIVA2		1
301	1171563024	Bottom Tray		1
301A	4055069878	Kit Overflow Hose		1
308	4055080529	Kit Hinge Left-Right		1
322	1171564717	Crossbar Front Upper		1
322A	1172379040	Crossbar Back Upper		1
322B	1171561044	Cross Piece Front Bottom		1
326	1171650409	Side Panel Left Zinc-Plated DIVA2		1
326A	1171650508	Side Panel Right Zinc-Plated DIVA2		1
330	1526617-02/0	Adjustable Foot Front		2
330A	1173632009	Adjustable Foot Central		1
335	1527142-00/2	Cog Wheel		1
344	1173444009	Latch Door Lock		1
505A	1522222635	Trimming Side x 609mm Long		2
521D	1526576101	Hole Cover Latch		1
523	50299970009	Wheel Support Kit Dark Grey (4 Pieces)		1
523B	1521220-10/1	Stiffening Holder Roller		4
523C	1526315047	Foot Support Front Left		1
523C	1526315-13/8	Foot Support Front Right		1
531	1171738006	Adjusting Screw Foot Central DIVA2		1
541	1526417-00/9	Hose Clamp		1
552	1171989005	Basket Rail		2
552D	1173633007	Guidance Rail Foot Central		1
567	1523236-03/0	Plaque (speed Clip)		1
580	1171654104	Closure Front Bottom		1
586	1172870014	Fixing Bracket Top		2
597	1520479-30/2	Basket Stop Front Dark Grey		2
597A	8996461234-05/7	Stopper Back Dark Grey		2
N.I.	1173722008	Sponge Water Tank		1
N.I.	ES6060	Foil Aluminium Adhesive		1

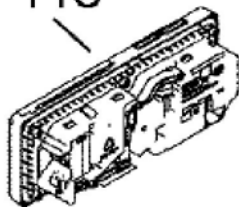
344



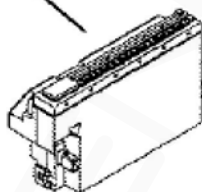
14A



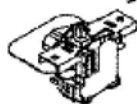
118



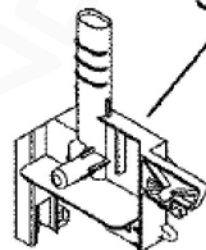
587A



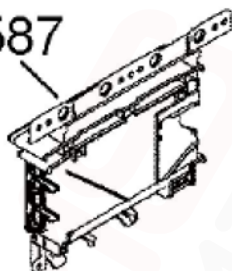
16



523



587



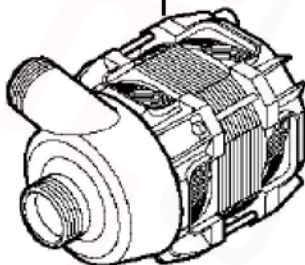
12A



506



6



10

11



11A



130



48



6A



567

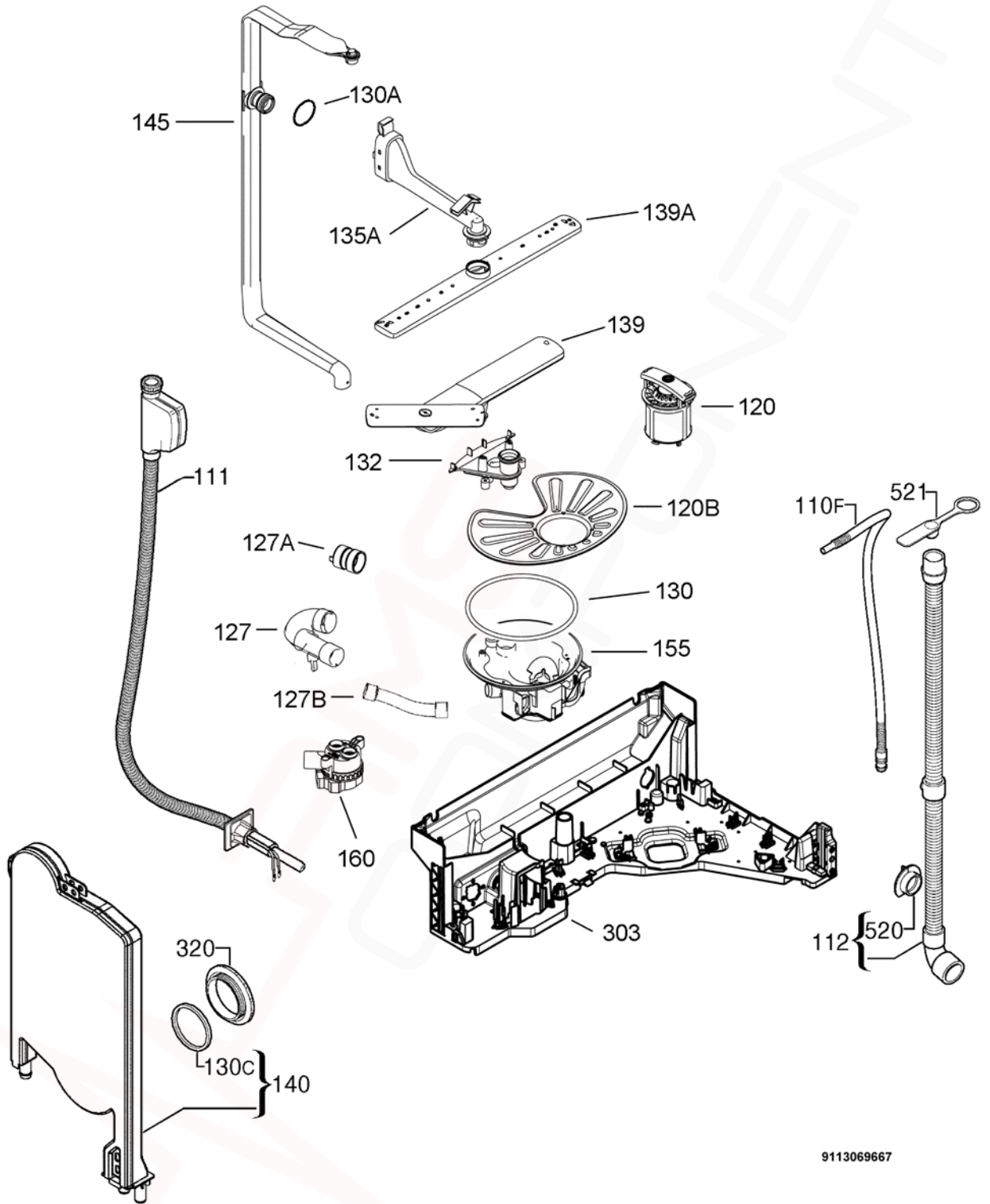


**MODELS:** ESL67040R  
ESL67040RB

**PNC 911434036 00**  
**PNC 911434036 00**

**EX. VIEW P09113081651**  
**ELECTRICAL**  
**COMPONENTS**

ITEM	PART N°	DESCRIPTION	Ex. P09113081651	QTY
6	1113171043	Washing Pump Tachometer Asynchronous		1
6A	1113172306	Drain Pump		1
10	50297618-00/6	Heating Element 230V/2000W Ø32mm		1
11	1113155038	Interference Capacitor		1
11A	1115927012	Capacitor Motor 3µf		1
12A	1325162046	Analogic Pressure Switch ELBI		1
14A	1113146003	LED PCB		1
16	1113337024	Main Switch Auto Off		1
19	1119555033	Door Indicator Lamp DIVA2		1
48	1113160004	Temperature Sensor Turbidity Sensor		1
118	1113338311	Dispenser Detergent		1
130	0208400152	Sealing Sleeve Temperature Sensor		1
344	1113150401	Door Lock Assembly		1
506	1113174039	Float Switch Assembly		1
523	1119495008	Pressure Sensor Support		1
567	1173024009	Motor Support Rubber		1
587	973911434036001	Configured Electronic EDW1xxx		1
587A	1113363012	User Interface Board EDW1503--		1
N.I.	1114038019	Wire Harness Main Elect Board User Interface		1
N.I.	1114039124	Wiring Harness Assembly		1
N.I.	1174034007	Harness Main Elect Board Door Indicator Lamp		1
N.I.	1170862-31/0	Power Cable AUS/NZ		1
N.I.	1170897308	Terminal Cover		1



**MODELS: ESL67040R**  
**ESL67040RB**

**PNC 911434036 00**  
**PNC 911434036 00**

**EX. VIEW 9113069667**  
**SUMP, PUMP and**  
**HYDRAULICS SYSTEM**

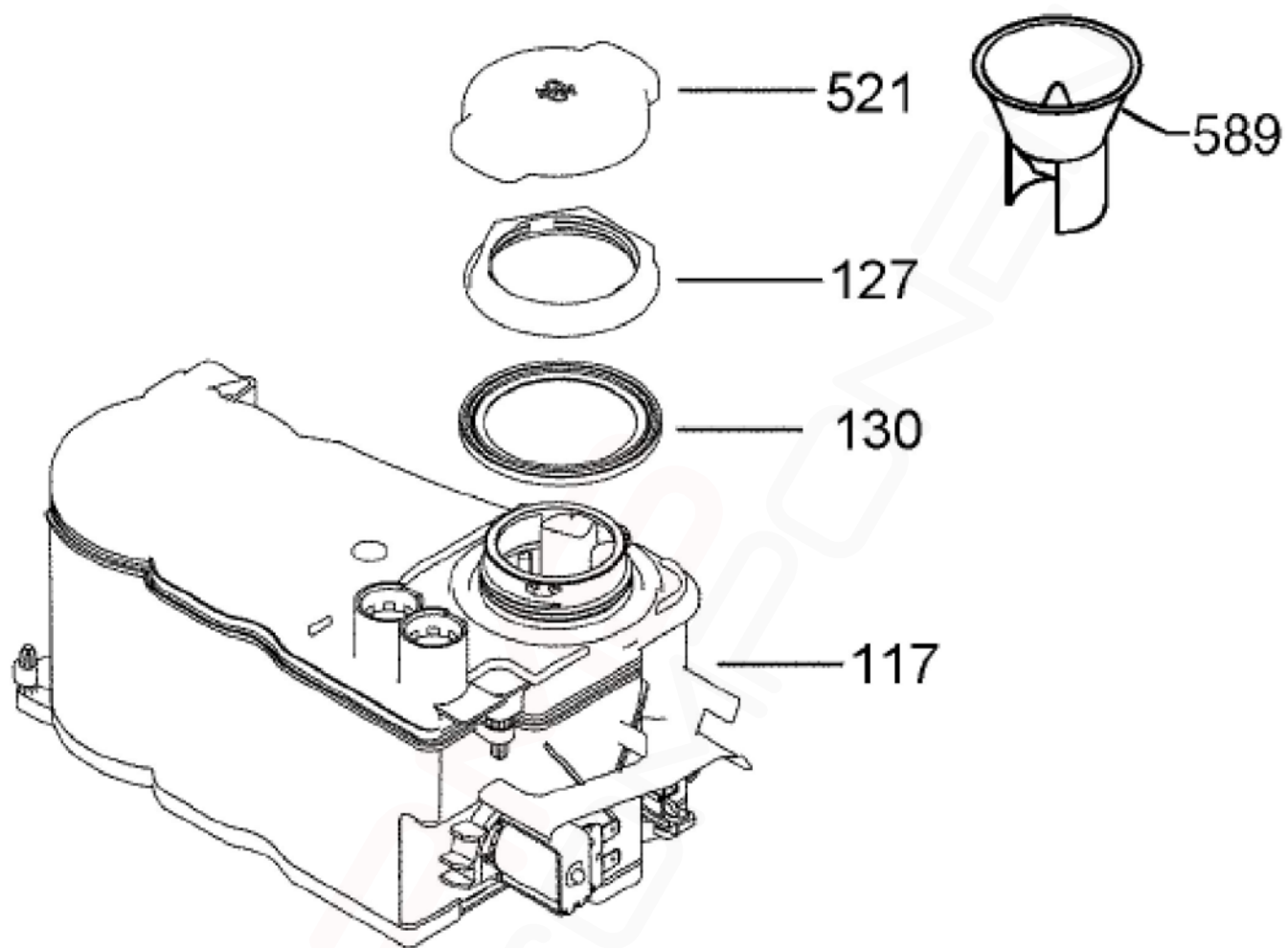
ITEM	PART N°	DESCRIPTION	Ex. 9113069667	QTY
110F	1118698701	Ventilating Tube ACTIVE X 1600mm Long		1
111	4055125068	Inlet Hose Water Block X 1800mm Long		1
112	1527820300	Discharge Hose Installation DIVA2		1
120	1119161105	Drain Filter Assembly		1
120B	1119209011	Filter Flat		1
127	1119164018	Hose Sump Heater		1
127A	1119165007	Hose Heater Circulation Pump		1
127B	1119155040	Hose Water Softener Sump		1
130	1119186003	O-Ring Sump		1
130A	1523119-01/2	Seal Channel Drainage		1
130C	50659231-00/0	Round Seal Container Cup		-
132	1119158101	Lower Spray Arm Support		1
135A	1119340113	Channel Drainage Grey Complete DIVA2		1
139	1119208120	Spray Arm Assembly Grey DIVA2		1
139A	1119159315	Upper Spray Arm Grey		1
140	1170481426	Tank Water Small		1
145	1119447108	Manifold Outer		1
155	1119151221	Water Sump Assembly		1
160	1113161010	Flow Control Regulator		1
303	1171581026	Basement		1
320	1526272-10/7	Grill Vapour Outlet Dark Grey		1
520	N.P.A.	Flange Discharge Pipe		-
521	N.P.A.	Stopper Drainage Hose		-
N.I.	1529175109	Fixing Clamp Sensor 35.6		1
N.I.	4055034963	Service Kit Electric Cable Sensor		1

**NOTE: Total Drain Hose length must not exceed 4 metres.**

If a Customer needs to extend their Drain Hose, order the following components:  
 0571400142 Hose Drain (2M length), 0182200002 Ferrule Hose Joiner (19mm)  
 and 2 x 0005001019 Clamp.

For extensions less than 2 metres, use ES5323K Kit Hose Flex Drain (1M).





9113063167

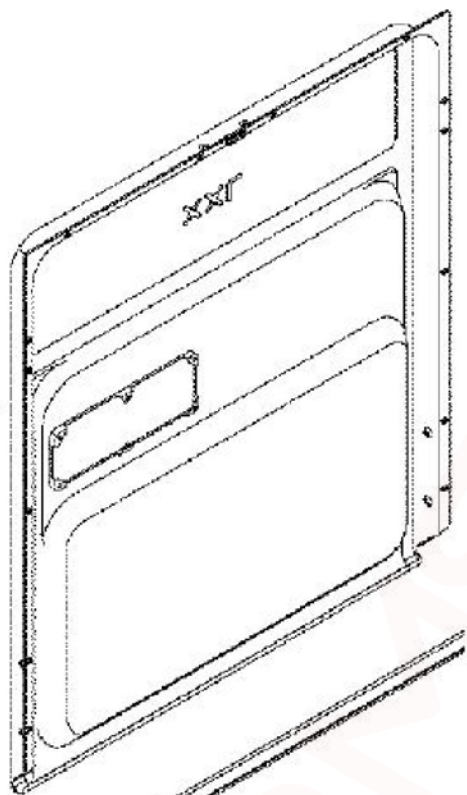
**MODELS: ESL67040R  
ESL67040RB**

**PNC 911434036 00  
PNC 911434036 00**

**EX. VIEW 9113063167  
REGENERATION TANK  
ASSEMBLY**

<b>ITEM</b>	<b>PART N°</b>	<b>DESCRIPTION</b>	<b>Ex. 9113063167</b>	<b>QTY</b>
117	<b>1119191029</b>	Water Softener Assembly		1
127	<b>1119195103</b>	Nut Water Softener		1
130	<b>1119196010</b>	Gasket Water Softener		1
521	<b>1119192100</b>	Cap Water Softener		1
589	<b>1172107300</b>	Filling Funnel Dishwasher Salt Transparent		1

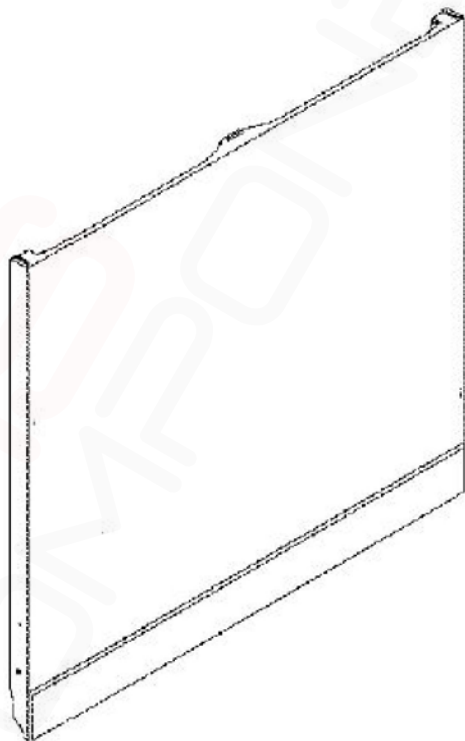
311



130



305



9113081654

**MODELS: ESL67040R  
ESL67040RB**

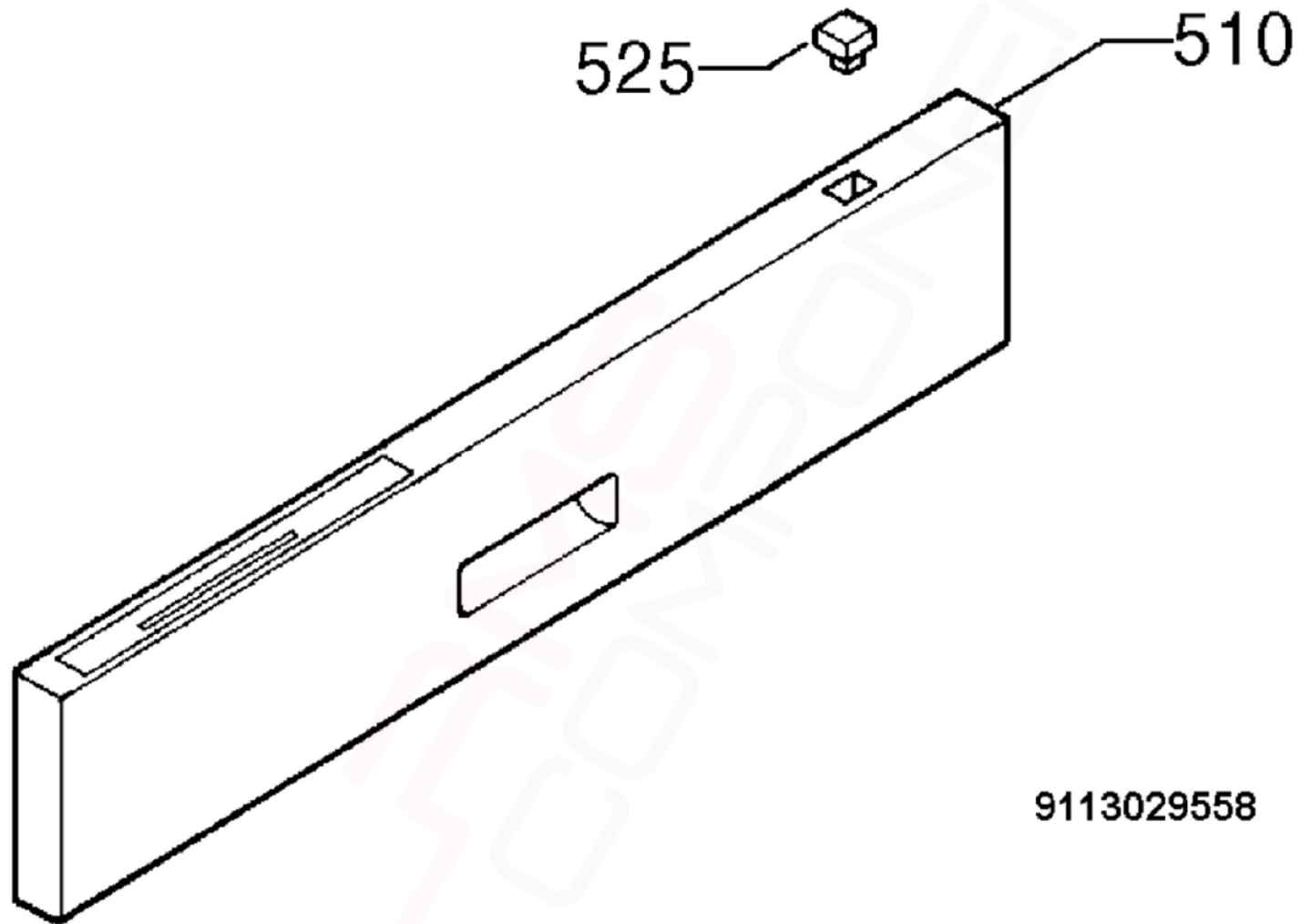
**PNC 911434036 00  
PNC 911434036 00**

**EX. VIEW P09113081654  
DOOR COMPLETE  
ASSEMBLY**

<b>ITEM</b>	<b>PART N°</b>	<b>DESCRIPTION</b>	<b>Ex. P09113081654</b>	<b>QTY</b>
130	<b>1173419001</b>	Door Gasket Bottom Black x 546mm Long		1
305	<b>1171649229</b>	Door		1
311	<b>4055071338</b>	Inner Door Complete DIVA2		1
563	<b>50290016-00/0</b>	Kit Peg Door Panel		1
N.I.	<b>* DWEB001</b>	Door Ebony Kit ( <b>ESL66010B ONLY</b> )		1
N.I.	<b>** 0050010765K</b>	Handle Door Kit ( <b>ESL66010B ONLY</b> )		-

\* Order this Part N°. for Outer Door Panel replacement.  
(Contains Black Outer Door Panel, Door Handle and Screws.)

\*\* Order this Part N°. for Door Handle replacement only



9113029558

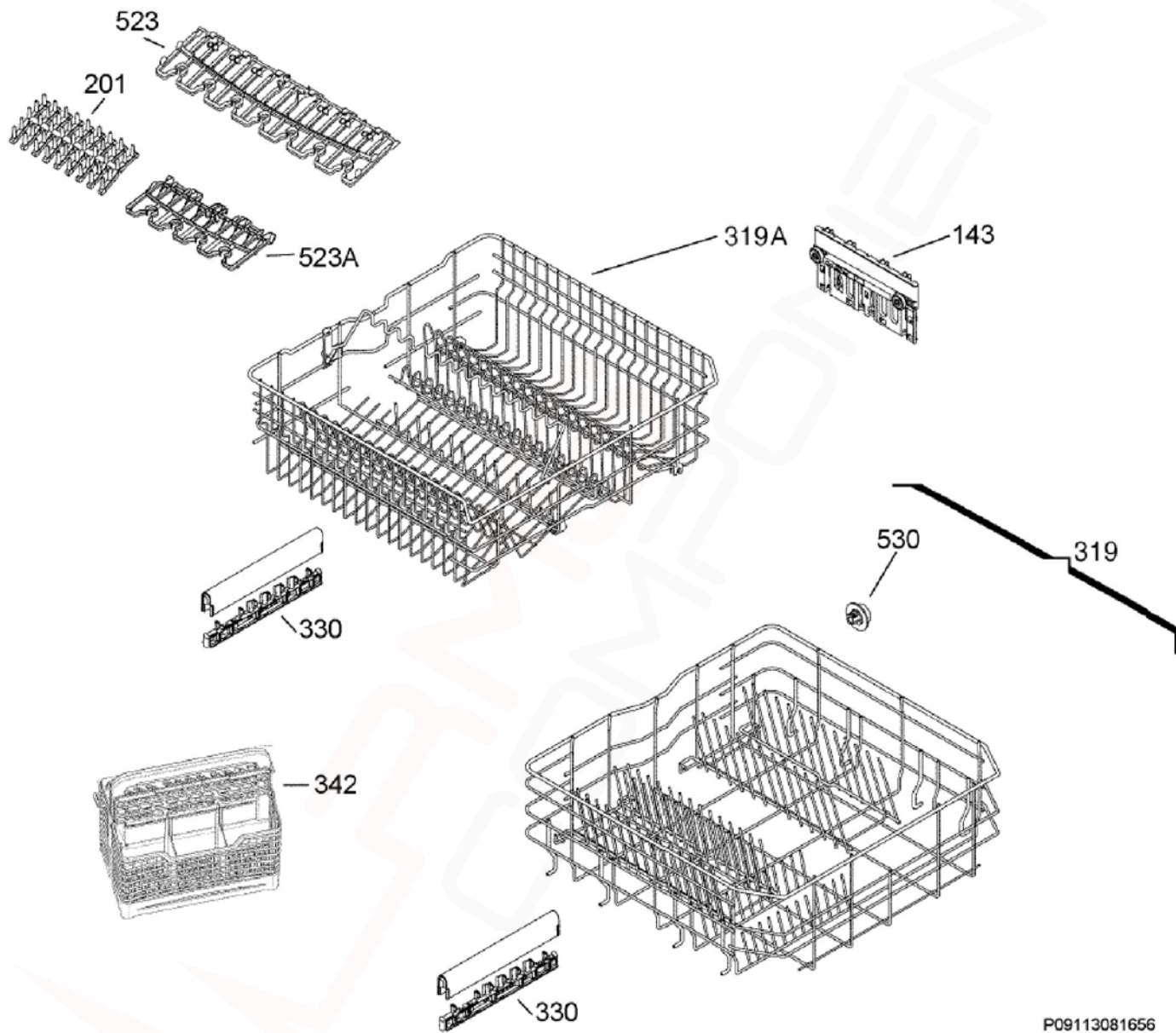
9113029558

**MODELS:** **ESL67040R**  
**ESL67040RB**

**PNC 911434036 00**  
**PNC 911434036 00**

**EX. VIEW 9113029558**  
**CONTROL PANEL**

<b>ITEM</b>	<b>PART N°</b>	<b>DESCRIPTION</b>	<b>Ex. 9113029558</b>	<b>QTY</b>
510	<b>1174104206</b>	Control Panel Silk Screened		1
525	<b>1172912204</b>	ON/OFF Button Grey		1



9113081656

**MODELS: ESL67040R  
ESL67040RB**

**PNC 911434036 00  
PNC 911434036 00**

**EX. VIEW P09113081656  
BASKET ASSEMBLY**

<b>ITEM</b>	<b>PART Nº</b>	<b>DESCRIPTION</b>	<b>Ex. P09113081656</b>	<b>QTY</b>
143	<b>1172471235</b>	Adjustment Right		1
143	<b>1172471334</b>	Adjustment Left		1
201	<b>1119349205</b>	Spikes Rubber		4
319	<b>1171745027</b>	Dishwasher Basket Bottom		1
319A	<b>1119234340</b>	Dishwasher Basket Upper		1
330	<b>4055072120</b>	Handle Complete		2
342	<b>1119343109</b>	Cutlery Basket Grey		1
523	<b>1172468116</b>	Support Cup Grey Long		1
523A	<b>1172467118</b>	Support Cup Grey Short		2
530	<b>4055072138</b>	Wheel Kit (8 Pieces)		1