



# Electrolux

**ELECTROLUX HOME PRODUCTS PTY LTD**

ABN 51 004 762 341

Technical Publication N° DW387

Issue: 3

Date: 09/17

## ***ELECTROLUX ELECTRONIC DISHWASHER***

**TO BE USED IN CONJUNCTION WITH  
CIRCUIT and WIRING DIAGRAM PUBLICATION - DW300.**

***\*MODEL ESL66010ROB IS USED BY THE SALES  
DEPARTMENT ONLY.***

***DWEB001 Integrated Door Panel Kit, is sold with the  
ESL66010RO to create the new model, therefore the  
PNC is the same for BOTH models.***

**MODEL:**

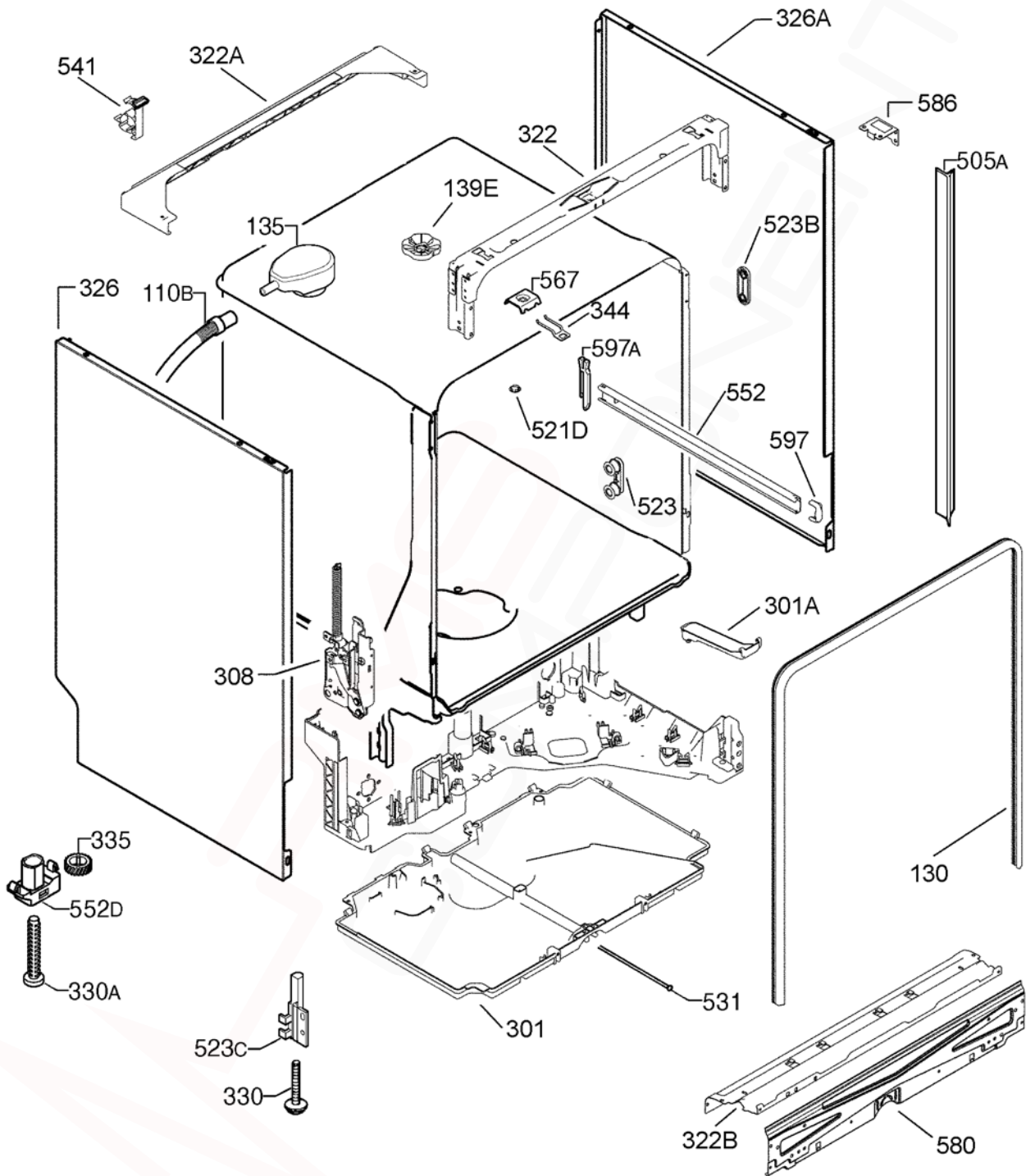
**ESL6610RO  
PNC 911437033 00  
ESL6610ROB\*  
PNC 911437033 00**

<b>VARIANT CHANGE SUMMARY</b>	
-------------------------------	--

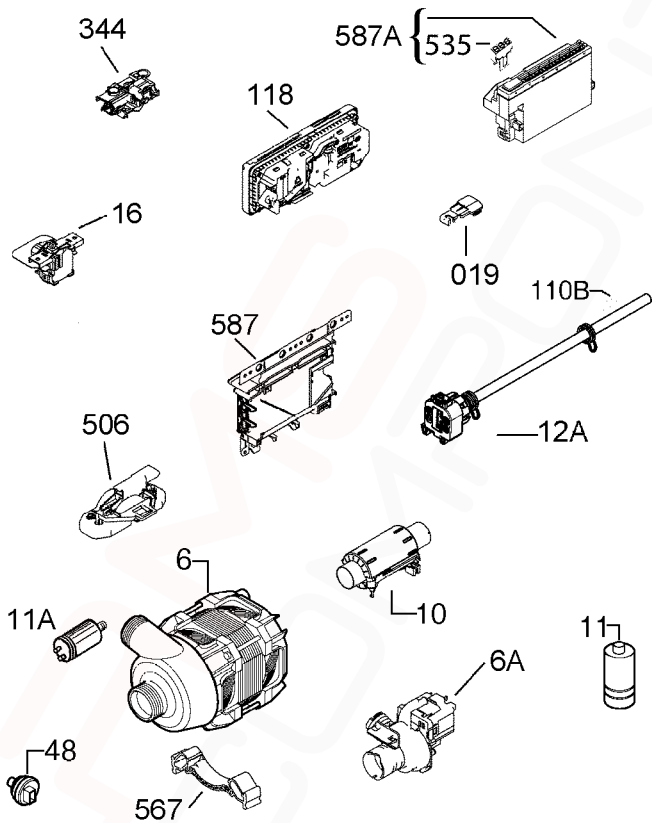
<b>00</b>	Introduction
-----------	--------------

<b>SAFR</b>	
-------------	--

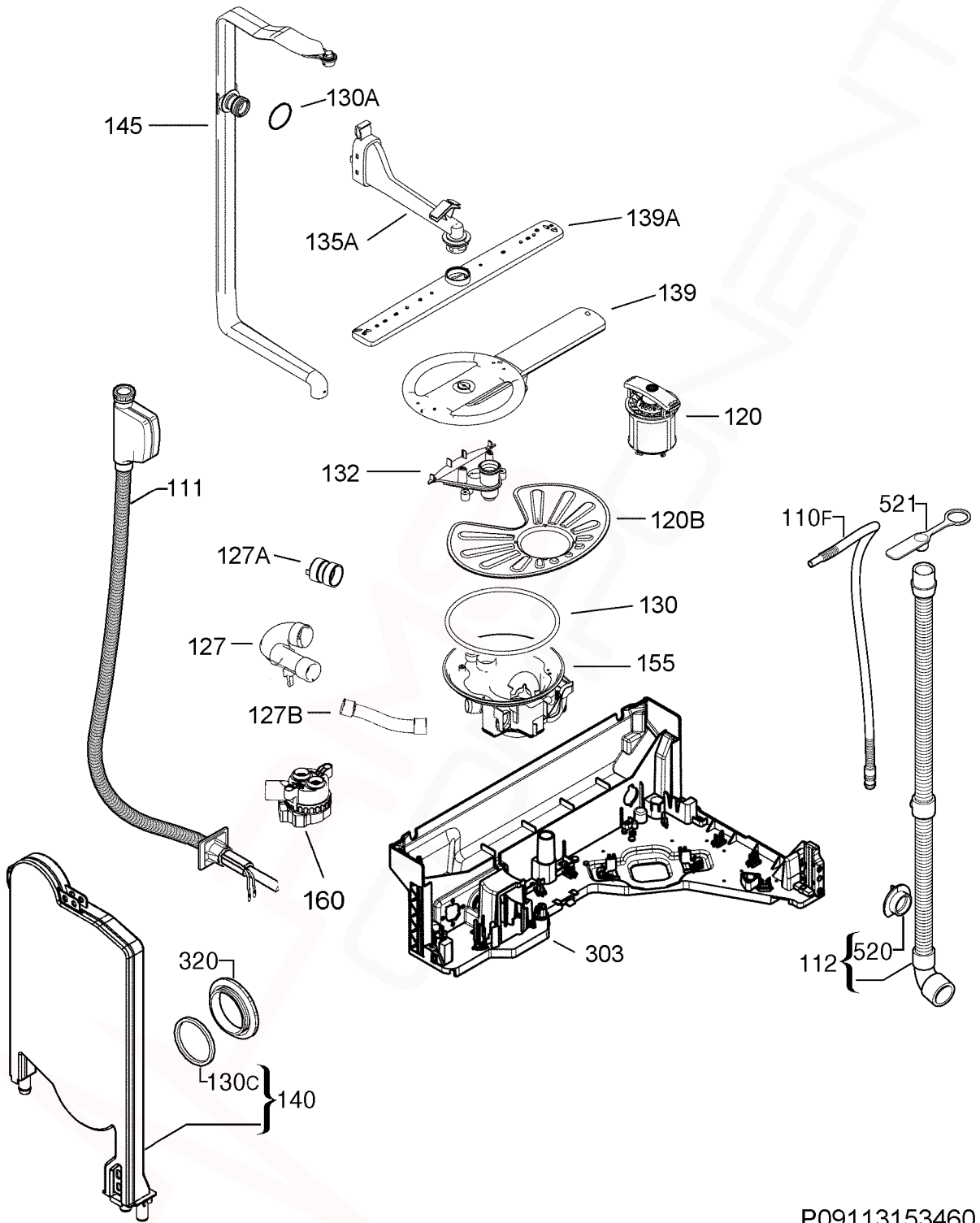
ESL6610RO/911437033 00	Sept 2013
ESL6610ROB*/911437033 00	Sept 2013



ITEM	PART N°	DESCRIPTION	Ex. P09113173202	QTY
110B	1172814202	Drying Pipe Grey x 795mm Long		1
130	1171580002	Sealing Door x 1800mm Long		1
135	1171458217	Drying Activator		1
139E	1119307013	Spray Arm Top Nut		1
300A	1119183000	Cover Bottom Sprayer		1
301	1171563024	Bottom Tray		1
301A	4055138376	Kit Overflow Hose		1
308	4055150280	Kit Hinge Left/Right		1
322	1171564733	Crossbar Front Upper		1
322A	1172379115	Crossbar Back Upper		1
322B	1171561051	Cross Piece Front Bottom		1
326	1174320224	Side Panel Left Zinc Plated		1
326A	1174320323	Side Panel Right Zinc Plated		1
330	1526617020	Adjustable Foot Front x 122mm Long		2
330A	1173632009	Adjustable Foot Central x 129mm Long		1
335	1527142002	Cog Wheel		1
344	1522344058	Latch		1
505A	1522222635	Trimming Side x 609mm Long		1
521D	1526576101	Hole Cover Latch		1
523	50299970009	Wheel Support Kit Dark Grey (4 Pieces)		1
523B	1521220-10/1	Stiffening Holder Roller		4
523C	1526315047	Foot Support Front Left		1
	1526315138	Foot Support Front Right		1
531	1171738006	Adjusting Screw Foot Central		1
541	N.P.A.	Hose Clamp		-
552	1171989005	Basket Rail		2
552D	1173633007	Guidance Rail Foot Central		1
567	1523236030	Plaque (Speed Clip)		1
580	1171654120	Closure Front Bottom		1
586	1172870014	Fixing Bracket Top		2
597	1520479401	Basket Stop Upper Front		2
597A	8996461234057	Stopper Back Dark Grey		2
N.I.	1170897308	Terminal Cover		1
N.I.	1173722008	Sponge Water Tank		1
N.I.	1174277002	Clip Rivet		2
N.I.	1174285005	Template Built-in ESL6613RO		1

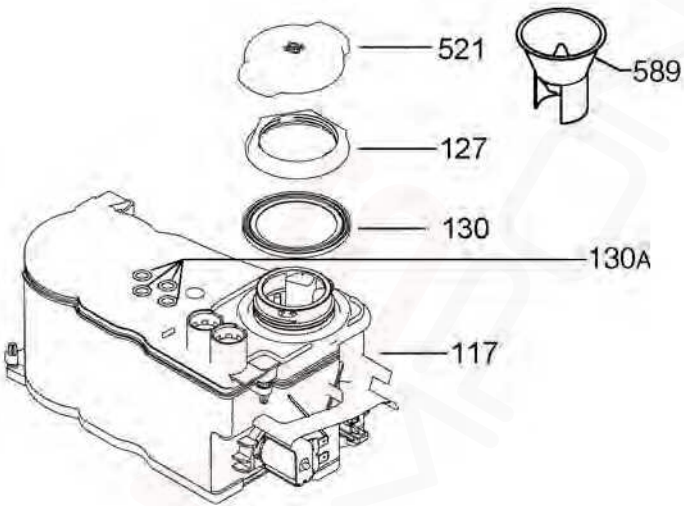


ITEM	PART N°	DESCRIPTION Ex. P09113097255	QTY
6	<b>140000397020</b>	Circulation Pump Complete 2800RPM	1
6A	<b>140000443014</b>	Drain Pump 50Hz	1
10	<b>50297618006</b>	Heater 230V/2000W Ø32mm	1
11	<b>3286023506</b>	Interference Capacitor 0.47µf	1
11A	<b>1115927012</b>	Capacitor Motor 3µf	1
12A	<b>1174745107</b>	Analogic Pressure Switch Complete D260	1
16	<b>1113337024</b>	Main Switch Auto Off	1
019	<b>1174528016</b>	Door Indicator Lamp	1
48	<b>1113348005</b>	Turbidity Sensor Optical	1
110B	<b>1526815707</b>	Hose Pressure Switch x 260 Ø10	1
118	<b>140000775019</b>	Dispenser Detergent Reed	1
344	<b>1113150401</b>	Door Lock Assembly	1
506	<b>1113174039</b>	Float Switch Assembly	1
535	<b>1380140002</b>	Display White EDW1953 DL10-32	1
567	<b>1173024009</b>	Motor Support Rubber	1
587	<b>973911437033005</b>	Configured Electronic EDW1xxx	1
587A	<b>1380163103</b>	User Interface Board White EDW1953	1
N.I.	<b>1114038019</b>	Wiring Harn Main Elec Board U/Interface	1
N.I.	<b>1114039165</b>	Wiring Harness Assembly	1
N.I.	<b>1170862310</b>	Power Cable AUS/NZ	1
N.I.	<b>1171864042</b>	Protection Wiring Harness	1
N.I.	<b>1173704006</b>	Rubber Drain Pump	1
N.I.	<b>140000322028</b>	Harn Main Elec Board Door Indicator Lamp	1
N.I.	<b>50286439000</b>	Screw 4x40 TSP AF CP	-



<b>ITEM</b>	<b>PART N°</b>	<b>DESCRIPTION</b>	<b>Ex. P09113153460</b>	<b>QTY</b>
110F	<b>1118698701</b>	Ventilating Tube ACTIVE x 1600mm Long		1
111	<b>4055125068</b>	Inlet Hose Aqua-Control x 1800mm Long		1
112	<b>1527820300</b>	Discharge Hose Installation		1
120	<b>1119161105</b>	Drain Filter Assembly		1
120B	<b>1119209011</b>	Filter Flat		1
127	<b>1119164018</b>	Hose Sump Heater		1
127A	<b>1119165007</b>	Hose Heater Circulation Pump		1
127B	<b>1119155040</b>	Hose Water Softener Sump		1
130	<b>1119186003</b>	O-Ring Sump		1
130A	<b>1523119012</b>	Seal Channel Drainage		1
130C	<b>50659231000</b>	Round Seal Container Cup		1
132	<b>1119158119</b>	Lower Spray Arm Support		1
135A	<b>140000409015</b>	Channel Drainage Grey Complete		1
139	<b>1119208211</b>	Lower Spray Arm Grey x 322.6mm Long		1
139A	<b>1119159315</b>	Upper Spray Arm Grey x 450mm Long		1
140	<b>1170481426</b>	Tank Water Small		1
145	<b>1119447108</b>	Manifold Inner Grey x 691.9mm Long		1
155	<b>1119151270</b>	Sump Assembly		1
160	<b>1113161010</b>	Flow Control Regulator		1
303	<b>1171581026</b>	Basement		1
320	<b>1526272107</b>	Grill Vapour Outlet Dark Grey		1
520	<b>N.P.A.</b>	Flange Discharge Pipe		-
521	<b>N.P.A.</b>	Stopper Drainage Hose		-
N.I.	<b>1400000592015</b>	Sealing Pressure Switch		1
N.I.	<b>1529175109</b>	Fixing Clamp Sensor 35.6		1





P09113096845

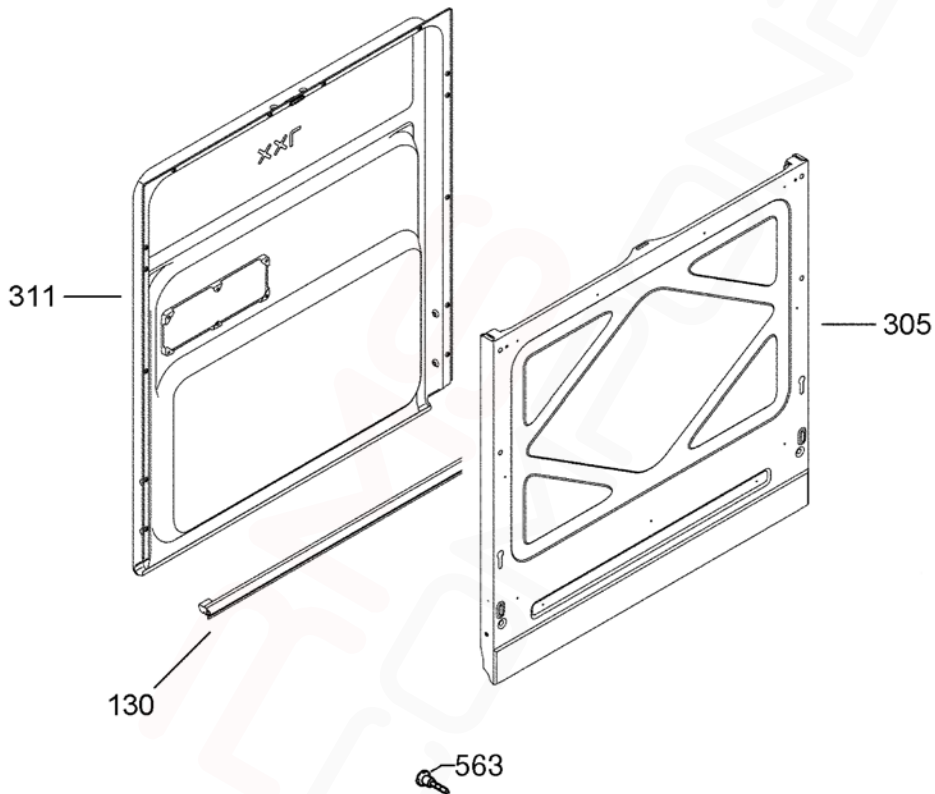
P09113175109

**MODEL: ESL6610RO**

**PNC 911437033 00**

**EX. VIEW P09113096845  
REGENERATION TANK  
ASSEMBLY**

<b>ITEM</b>	<b>PARTN°</b>	<b>DESCRIPTION</b>	<b>Ex. View P09113096845</b>	<b>QTY</b>
117	<b>1174849008</b>	Water Softener Complete		1
127	<b>1119195103</b>	Nut Water Softener		1
130	<b>1119196010</b>	Gasket Water Softener		1
130A	<b>1526505-00/1</b>	Grommet Decalcifier H=13mm		1
521	<b>1119192100</b>	Cap Water Softener		1
589	<b>1172107300</b>	Filling Funnel Dishwasher Salt Transparent		1



**MODEL:** **ESL6610RO**  
**ESL6610ROB**

**PNC:** **911437033 00**  
**PNC:** **911437033 00**

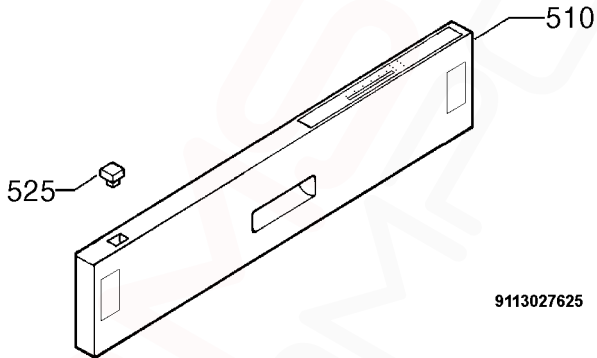
**EX. VIEW P09113090739**  
**DOOR ASSEMBLY**

ITEM	PART N°	DESCRIPTION	Ex. P09113090739	'RO'	'ROB'
130	<b>1173419001</b>	Door Gasket Bottom Black x 546mm Long		1	1
305	<b>1171649427</b>	Door Zinc - Plated		1	1
311	<b>4055079539</b>	Inner Door		1	1
563	<b>50290016-00/0</b>	Peg Panel		2	2
N.I.	<b>DWEB001</b>	Door Integrated Panel Kit Ebony		-	1
N.I.	<b>8072010013</b>	Plastic Steam Protection		1	1
N.I.	<b>1173234004</b>	Plastic Rivet Door Ø12mm x 19mm Long		2	2
N.I.	<b>3286551118</b>	Kit Built-In		1	1

**ESL66010B ONLY**

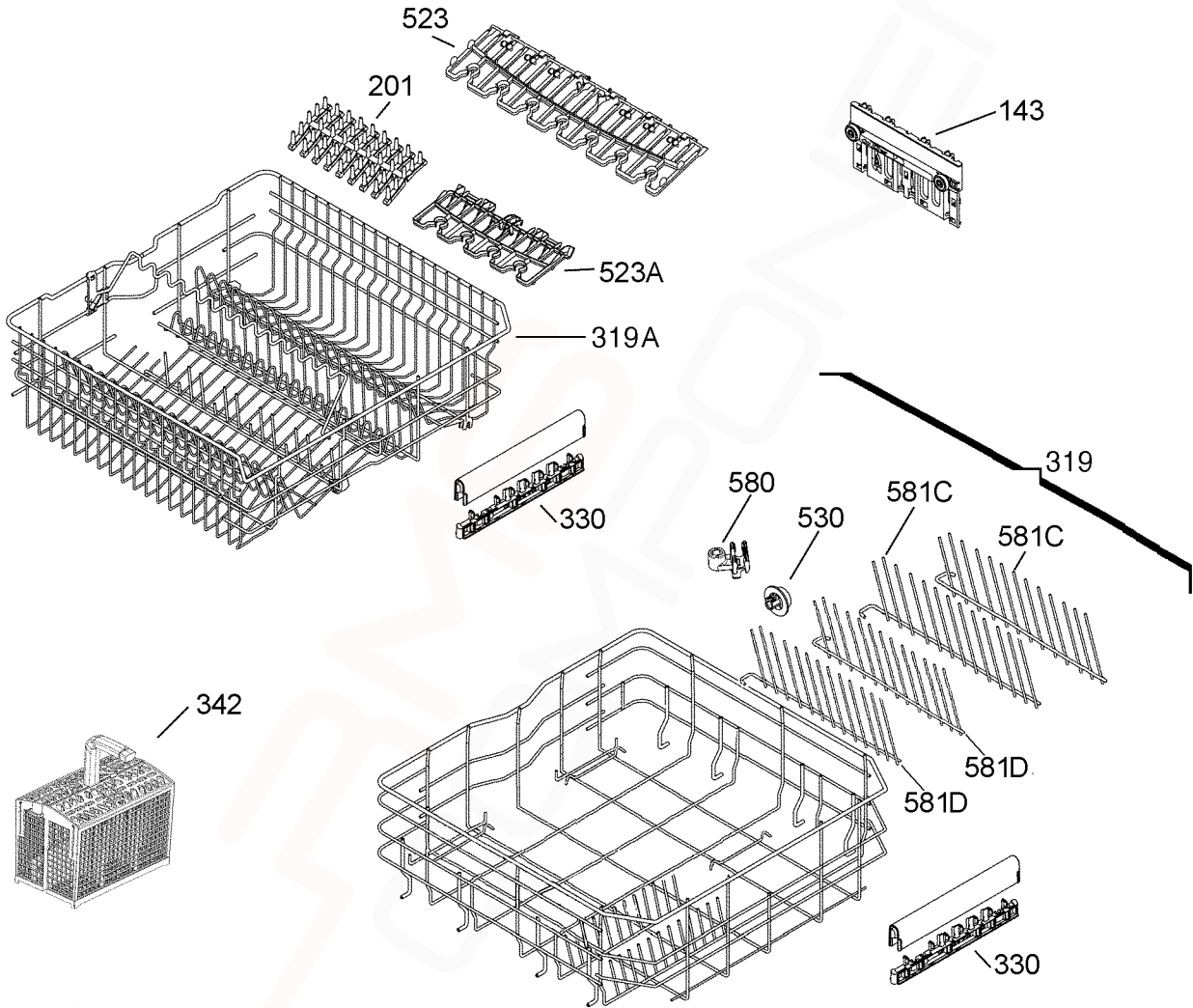
N.I.	* <b>DWEB001</b>	Door Ebony Kit		-	1
N.I.	** <b>0050010765K</b>	Handle Door Kit		-	-

- \* Order this Part N°. for Outer Door Panel replacement.  
 Contains Black Outer Door Panel, Door Handle and Screws.  
 \*\* Order this Part N°. for Door Handle replacement only



9113027625

<b>ITEM</b>	<b>PART N°</b>	<b>DESCRIPTION</b>	<b>Ex. P09113027625</b>	<b>QTY</b>
510	<b>1174561041</b>	Control Panel Inox Electrolux		1
525	<b>1171114109</b>	Push Button On/Off Inox		1



**BASKET  
ASSEMBLY**

ITEM	PART N°	DESCRIPTION Ex. P09113088404	QTY
143	<b>1173884428</b>	Adjustment Right	1
	<b>1173884527</b>	Adjustment Left	1
201	<b>1119349312</b>	Spikes Rubber	2
319	<b>1171745126</b>	Dishwasher Basket Bottom Dark Grey	1
319A	<b>1119234712</b>	Dishwasher Basket Upper	1
330	<b>1380176014</b>	Handle D/W Basket Rear Grey	1
	<b>1380192011</b>	Handle D/W Basket Front Lt. Grey	1
342	<b>1119330213</b>	Cutlery Basket Grey 254x258x133mm	1
523	<b>1172468215</b>	Support Cup Grey Long	1
523A	<b>1172467217</b>	Support Cup Grey Short	2
530	<b>4055072138</b>	Wheel Kit (8 Pieces)	1
580	<b>1171867102</b>	Fixing Clamp Partition	4
581C	<b>1172588004</b>	Partition Left x 333mm Long	1
	<b>1172588103</b>	Partition Right x 333mm Long	1
581D	<b>1172589002</b>	Partition Left x 306mm Long	1
	<b>1172589101</b>	Partition Right x 306mm Long	1