



**ELECTROLUX HOME PRODUCTS PTY LTD**  
ABN 51 004 762 341

Technical Publication N° DW268

Issue: 2  
Date: 01/11

**WEB SITE ADDRESS: [www.partnship.com.au](http://www.partnship.com.au)**

# ***ELECTROLUX HOUSEHOLD DISHWASHER***

**TO BE USED IN CONJUNCTION WITH  
CIRCUIT and WIRING DIAGRAM PUBLICATION - DW230.**

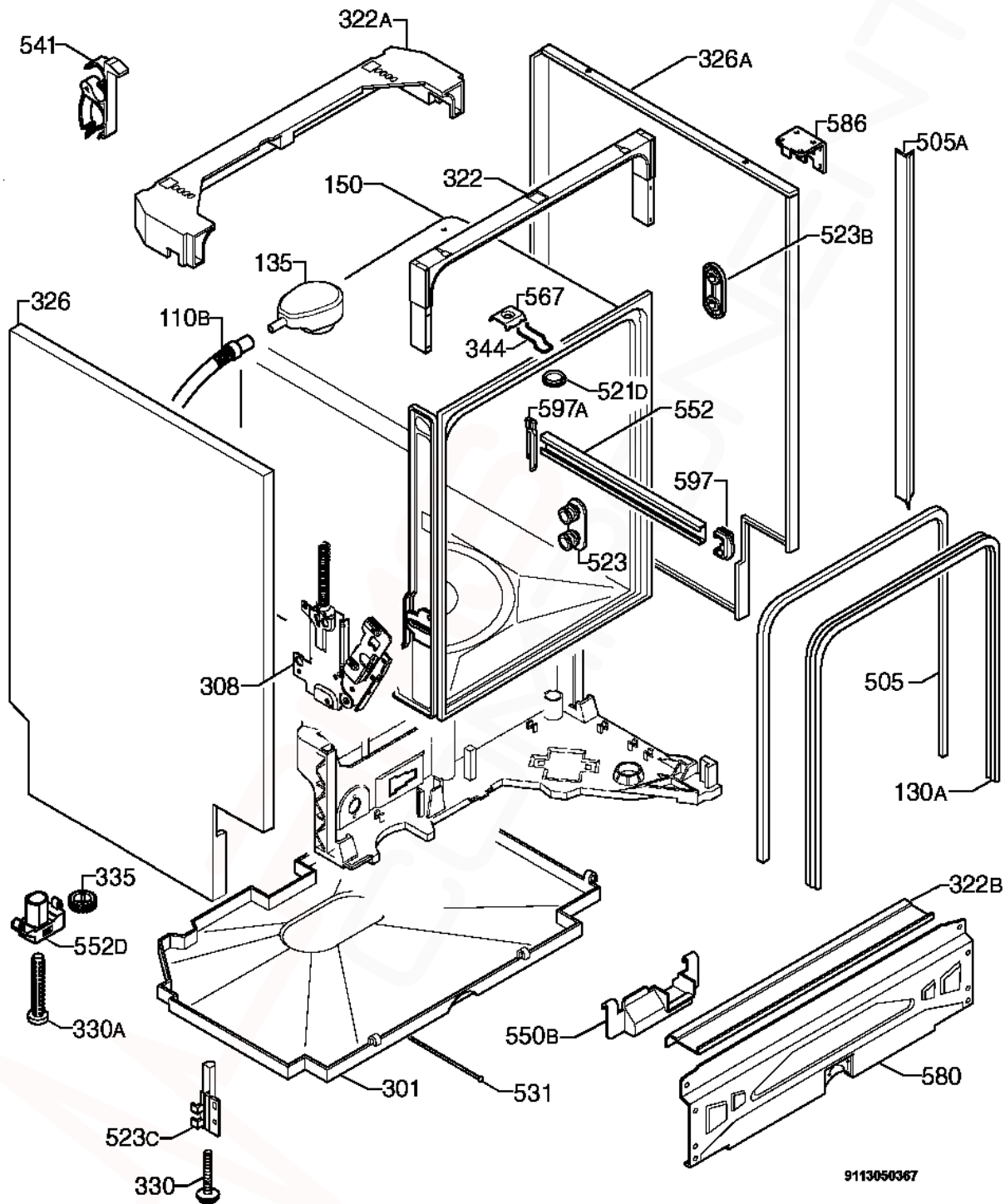
***MODEL ESL66010B IS USED BY THE SALES  
DEPARTMENT ONLY.***

***DWEB001 Integrated Door Panel Kit, is sold with the  
ESL66010 to create the new model, therefore the PNC  
is the same for BOTH models.***

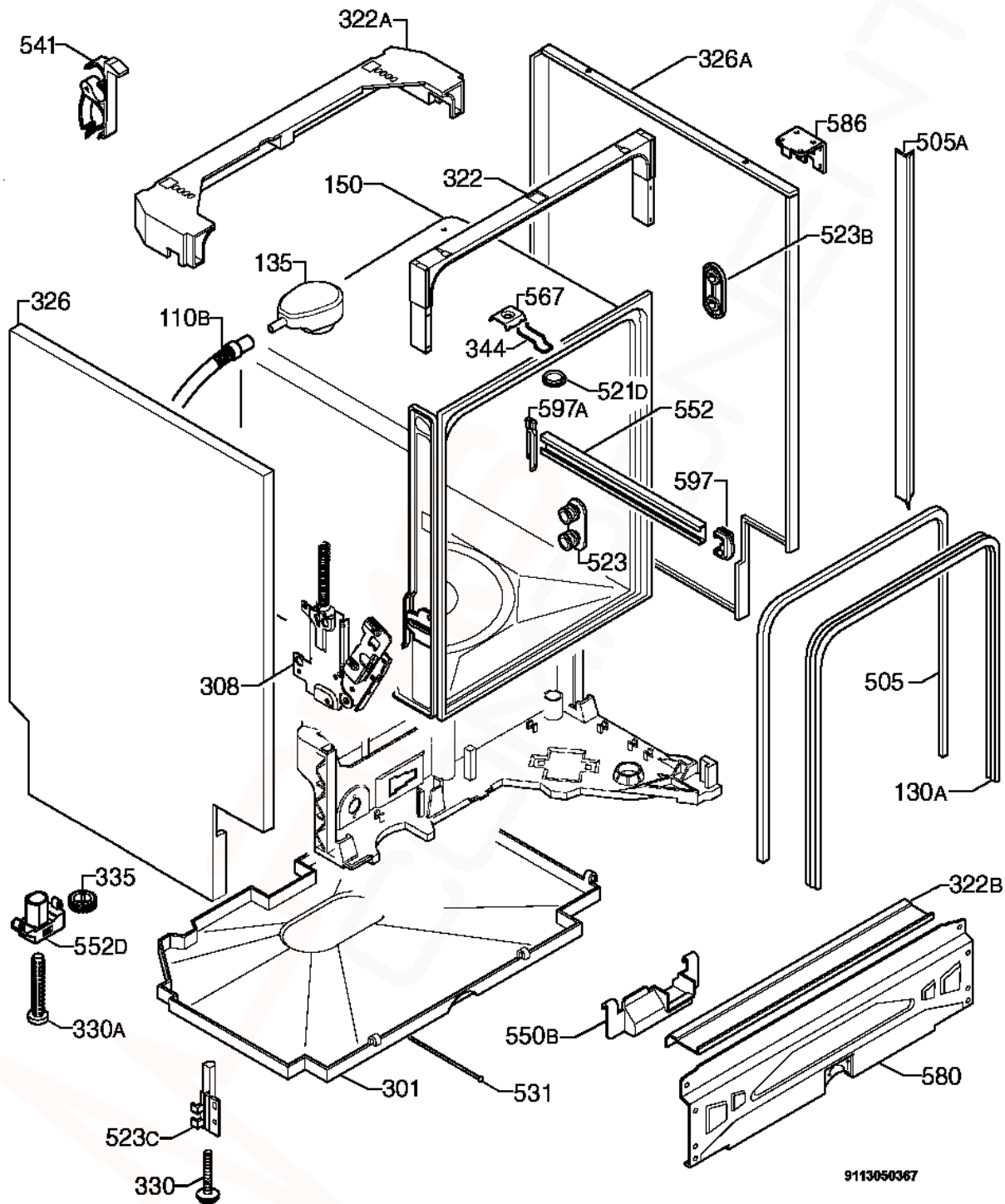
**MODEL:  
ESL66010 and ESL66010B  
PNC 911936254 03**

<b>VARIANT CHANGE SUMMARY</b>	
<b>03</b>	Drain Pump, PCB, Harness, Dish Sieve - Inox, Hose Water Softener, Container Cup Small & Water Softener Complete Assy

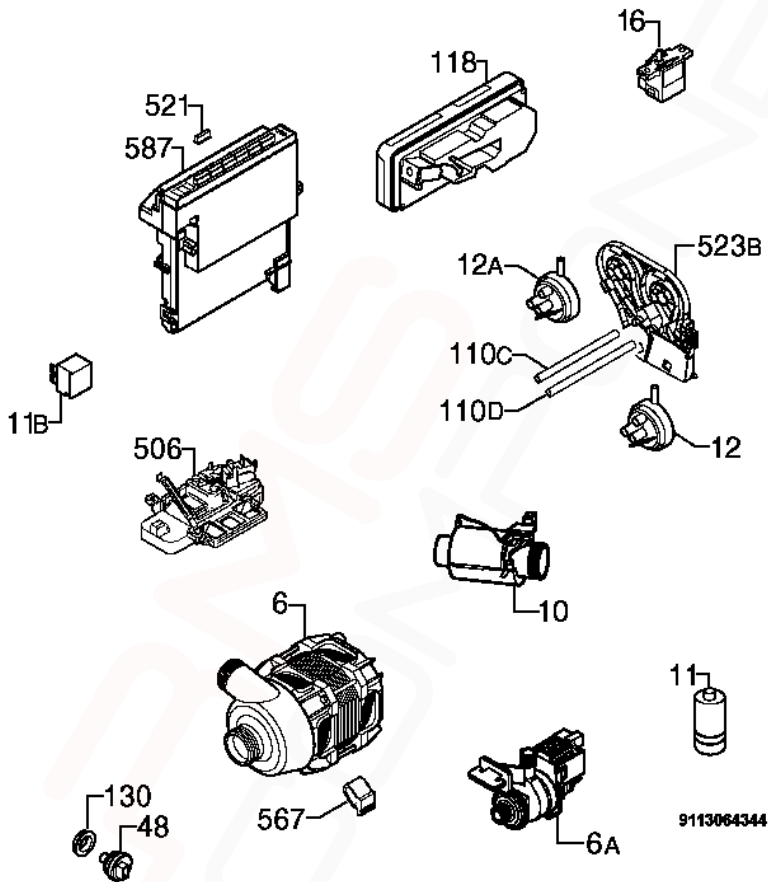
<b>Release Date:</b>	
ESL66010/91193625403	06/09/2010
ESL66010B/91193625403	06/09/2010



ITEM	PART N°	DESCRIPTION Ex. 9113050367	QTY
110B	1527937-01/3	Tube Drying x 680mm Long	1
130A	1171265026	Sealing Outer x 1730mm Long	1
135	1171458118	Air Guide ACTIVE DRYING	1
150	N.P.A.	Tub	-
301	1526298-07/8	Bottom Cabinet	1
308	4055031548	Kit Door Hinge Right-Left	1
322	1525280507	Crossbar Front Zinc-Plated	1
322A	1170350-01/9	Crossbar Back Upper	1
322B	1527256-10/9	Crossbar Front Bottom	1
326	4055047197	Side Panel Left Zinc-Plated	1
326A	4055047205	Side Panel Right Zinc-Plated	1
330	1526617-02/0	Adjustable Foot Front	2
330A	1526994-00/7	Adjustable Foot Central	1
335	1527142-00/2	Cog Wheel	1
344	1522344-05/8	Latch	1
505	1526715-40/2	Trimming Tub Black x 1710mm Long	1
505A	1522222-40/3	Trimming Side x 592mm Long	2
521D	1526576-00/2	Hole Cover Latch	1
523	50299970009	Wheel Support Kit Dark Grey (4 Pieces)	1
523B	1521220-10/1	Stiffening Holder Roller	4
523C	1526315-03/9	Foot Support Front Left	1
523C	1526315-13/8	Foot Support Front Right	1
531	1170685-00/0	Adjusting Screw Foot Central	1
541	1526417-00/9	Hose Clamp	1
550B	1522345-03/0	Wiring Protection	1
552	1170542-00/3	Rail Basket Upper	2
552D	1523698-06/4	Guidance Rail Foot Central	1
567	1523236-03/0	Plaque (Speed Clip)	1
580	50290285-00/1	Enclosure Front Bottom	1
586	1170209-00/9	Fixing Bracket Top	2
597	1520479-30/2	Basket Stop Front Dark Grey	2
597A	8996461234-05/7	Stopper Back Dark Grey	2
N.I.	4055046587	Fixing Clip Stud (4 Pieces)	1
N.I.	ES6060	Foil Aluminium Adhesive	1



ITEM	PART N°	DESCRIPTION Ex. 9113050367	QTY
110B	1527937-01/3	Tube Drying x 680mm Long	1
130A	1171265026	Sealing Outer x 1730mm Long	1
135	1171458118	Air Guide ACTIVE DRYING	1
150	N.P.A.	Tub	-
301	1526298-07/8	Bottom Cabinet	1
308	4055067948	Kit Door Hinge Right-Left 'HEAVY" (single fulcrum)	1
322	1525280507	Crossbar Front Zinc-Plated	1
322A	1170350-01/9	Crossbar Back Upper	1
322B	1527256-10/9	Crossbar Front Bottom	1
326	4055047197	Side Panel Left Zinc-Plated	1
326A	4055047205	Side Panel Right Zinc-Plated	1
330	1526617-02/0	Adjustable Foot Front	2
330A	1526994-00/7	Adjustable Foot Central	1
335	1527142-00/2	Cog Wheel	1
344	1522344-05/8	Latch	1
505	1526715-40/2	Trimming Tub Black x 1710mm Long	1
505A	1522222-40/3	Trimming Side x 592mm Long	2
521D	1526576-00/2	Hole Cover Latch	1
523	50299970009	Wheel Support Kit Dark Grey (4 Pieces)	1
523B	1521220-10/1	Stiffening Holder Roller	4
523C	1526315-03/9	Foot Support Front Left	1
523C	1526315-13/8	Foot Support Front Right	1
531	1170685-00/0	Adjusting Screw Foot Central	1
541	1526417-00/9	Hose Clamp	1
550B	1522345-03/0	Wiring Protection	1
552	1170542-00/3	Rail Basket Upper	2
552D	1523698-06/4	Guidance Rail Foot Central	1
567	1523236-03/0	Plaque (Speed Clip)	1
580	50290285-00/1	Enclosure Front Bottom	1
586	1170209-00/9	Fixing Bracket Top	2
597	1520479-30/2	Basket Stop Front Dark Grey	2
597A	8996461234-05/7	Stopper Back Dark Grey	2
N.I.	4055046587	Fixing Clip Stud (4 Pieces)	1
N.I.	ES6060	Foil Aluminium Adhesive	1



9113064344

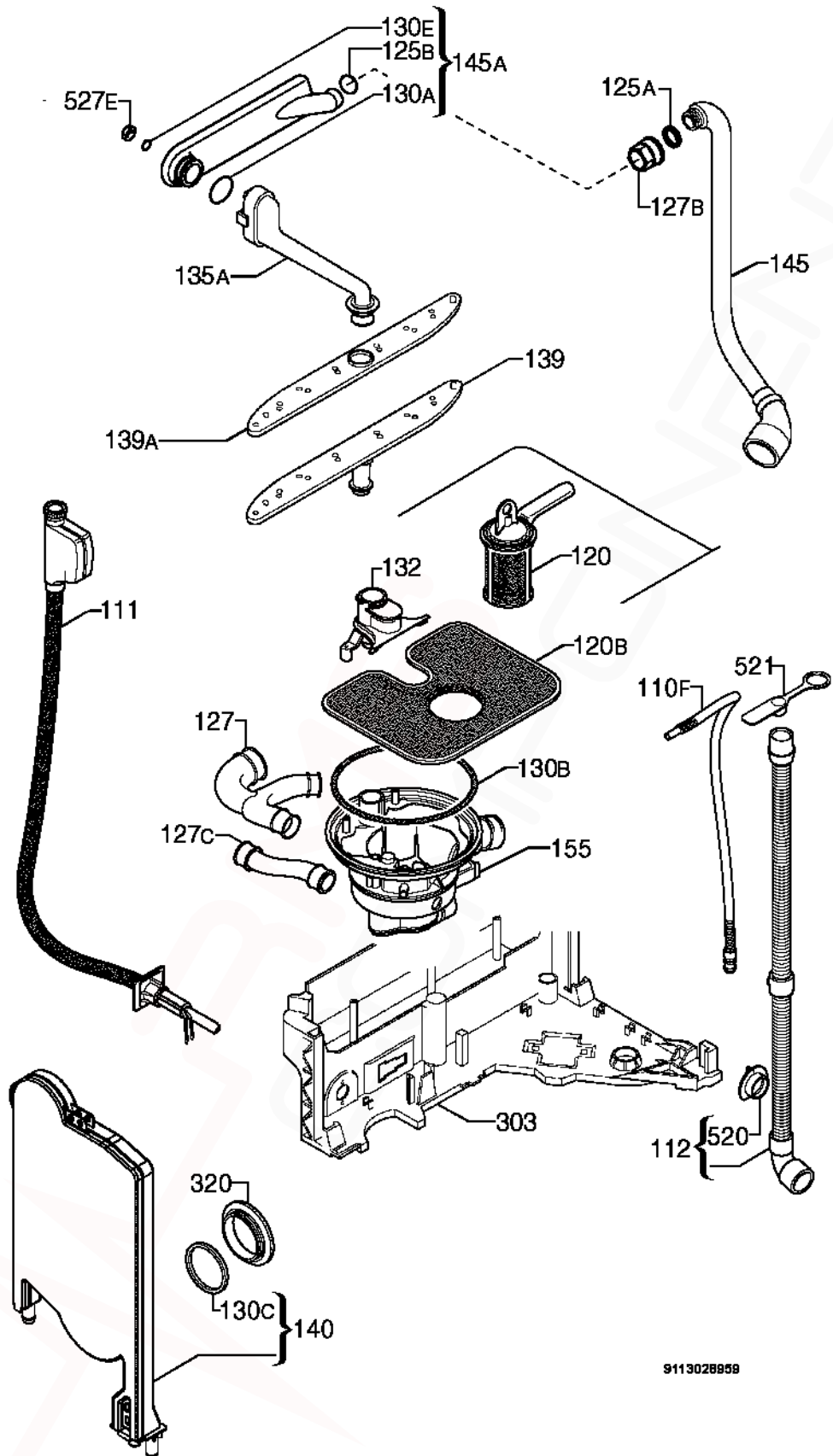
**MODELS: ESL66010  
ESL66010B**

**PNC 911936254 00  
PNC 911936254 00**

**EX. VIEW 9113064344  
ELECTRICAL COMPONENTS**

ITEM	PART N°	DESCRIPTION	Ex. 9113064344	QTY
6	<b>50299965009</b>	Washing Motor Tachometric 2800RPM		1
6A	<b>1528261-02/5</b>	Drain Pump Reworked 50H		1
10	<b>50297618-00/6</b>	Heating Element 230V/2000W Ø32mm		1
11	<b>50287485-00/2</b>	Running Capacitor Shank		1
11B	<b>0144400042</b>	Interference Suppressor		1
12	<b>1528189-02/8</b>	Pressure Switch Level 65/45		1
12A	<b>1528189-12/7</b>	Pressure Switch Safety 123/98		1
16	<b>1111433-00/7</b>	Main Switch (O/I)		1
48	<b>1113160004</b>	Temperature Sensor Turbidity Sensor		1
110C	<b>1170450-40/5</b>	Tube Pressure Switch Safety x 515mm Long		1
110D	<b>1170450-51/2</b>	Tube Pressure Switch Level x 525mm Long		1
118	<b>1113330128</b>	Detergent Dispenser C/R		1
130	<b>0208400152</b>	Sealing Sleeve Temperature Sensor		1
506	<b>50297120-00/3</b>	Kit Support Float Complete		1
523B	<b>1526601-30/5</b>	Cover Cap Keyboard Silver		1
535	<b>1170351-00/9</b>	Mount Pressure Switch		1
567	<b>1171934019</b>	Motor Bracket Buffer		1
587	<b>973911936254037</b>	Configured Electronic EDW1503		1
N.I.	<b>1170598-00/5</b>	Sponge Drain Pump "L"		1
N.I.	<b>1170862-31/0</b>	Power Cable AUS/NZ		1
N.I.	<b>1527635807</b>	Harness Complete		1
N.I.	<b>1526491-01/2</b>	Electric Cable Anti-Overflow Gasket		1





**MODELS: ESL66010  
ESL66010B**

**PNC 911936254 03  
PNC 911936254 03**

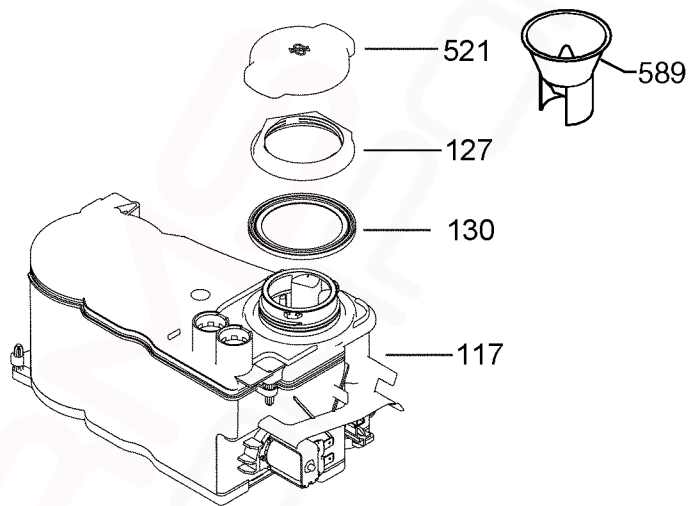
**EX. VIEW 9113028959  
SUMP, PUMP and  
HYDRAULICS SYSTEM**

ITEM	PART N°	DESCRIPTION Ex. VIEW 9113028959	QTY
110F	<b>1118698305</b>	Ventilating Tube Install Column x 1477mm Long	1
111	<b>50295662-00/6</b>	Inlet Hose Water Block x 1500mm Long	1
112	<b>1527820029</b>	Discharge Hose Install Column x 2250mm Long	1
120	<b>50297774-00/7</b>	Drain Filter Complete Light Grey	1
120B	<b>1528918-00/4</b>	Filter Inox	1
125A	<b>50282650-00/6</b>	O-Ring Manifold Outer	1
125B	<b>50227938-00/3</b>	O-Ring Manifold Inner	1
127	<b>1118796208</b>	Pipe Union Y	1
127B	<b>1523118-20/4</b>	Pipe Union Manifold Dark Grey	1
127C	<b>1173463009</b>	Pipe Union Decalcifier Sump	1
130A	<b>1523119-01/2</b>	Seal Channel Drainage	1
130B	<b>0208400147</b>	O-Ring Sump	1
130C	<b>50659231-00/0</b>	Round Seal Container Cup	1
130E	<b>1522802-00/6</b>	Sealing Strip	1
132	<b>1118495-91/8</b>	Column Support Lower Spray Arm	1
135A	<b>1526687-52/8</b>	Channel Drainage Dark Grey Complete	1
139	<b>1526523-40/0</b>	Lower Spray Arm Dark Grey	1
139A	<b>1526520-30/7</b>	Spray Arm Upper Dark Grey	1
140	<b>1170481707</b>	Container Cup Small Electronic	1
145	<b>1528059-00/7</b>	Manifold Outer Ø32mm	1
145A	<b>1172023-01/0</b>	Manifold Horizontal Dark Grey	1
155	<b>1527957128</b>	Sump Pipe Union Complete	1
303	<b>15262922212</b>	Basement	1
320	<b>1526272-10/7</b>	Grill Vapour Outlet Dark Grey	1
520	<b>1526862-00/6</b>	Flange Discharge Pipe	1
521	<b>1527389-00/9</b>	Stopper Drainage Hose	1
527E	<b>50286080-00/2</b>	Nut Water Distributor	1
N.I.	<b>1529175109</b>	Fixing Clamp Sensor 35.6mm	1
N.I.	<b>4055034963</b>	Service Kit Electric Cable Sensor	-

If a Customer needs to extend their Drain Hose, order the following components:  
0571400142 Hose Drain (2M length), 0182200002 Ferrule Hose Joiner (19mm)  
and 2 x 0005001019 Clamp.

For extensions less than 2 metres, use ES5323K Kit Hose Flex Drain (1M)

**NOTE:** Total Drain Hose length must not exceed 4 metres.



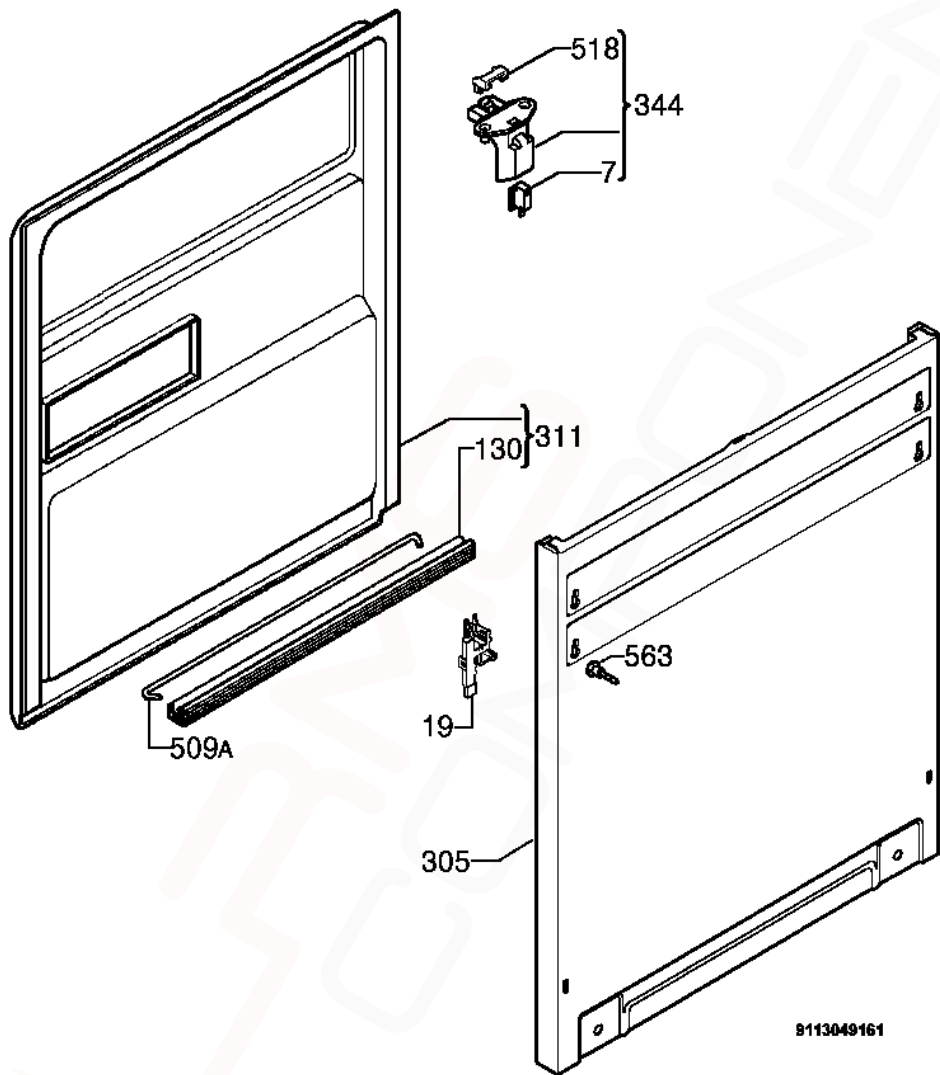
9113063167

**MODELS: ESL66010  
ESL66010B**

**PNC 911936254 03  
PNC 911936254 03**

**EX. VIEW 9113063167  
REGENERATION TANK  
ASSEMBLY**

<b>ITEM</b>	<b>PART N°</b>	<b>DESCRIPTION</b>	<b>Ex. VIEW 9113063167</b>	<b>QTY</b>
117	<b>1173468-00/8</b>	Decalcifier REED		1
127	<b>1119195-10/3</b>	Nut Water Softener		1
130	<b>1119196-01/0</b>	Gasket Water Softener		1
521	<b>1119192-10/0</b>	Cap Water Softener		1
589	<b>1172107-30/0</b>	Filling Funnel Dishwasher Salt Transparent		4
N.I.	<b>1173562-00/8</b>	Wire Salt Sensor		1



9113049161

**MODELS: ESL66010  
ESL66010B**

**PNC 911936254 03  
PNC 911936254 03**

**EX. VIEW 9113049161  
DOOR ASSEMBLY**

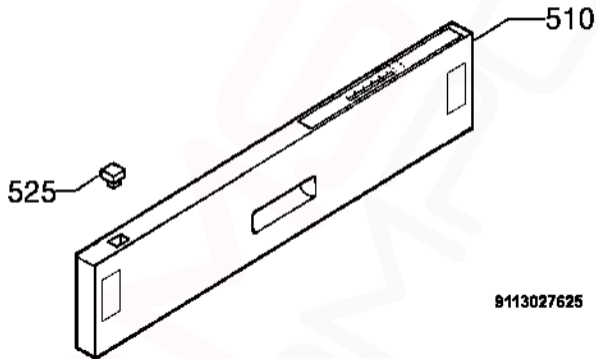
ITEM	PART N°	DESCRIPTION	Ex. View 9113049161	QTY
7	<b>50287927-00/3</b>	Microswitch Door		1
19	<b>1111414-13/0</b>	Door Indicator Lamp Light Bottom		1
130	<b>1527401-00/2</b>	Door Gasket Bottom Black x 550mm Long		1
305	<b>1524571401</b>	Door Integrated Zinc-Plated		1
311	<b>50290200-00/0</b>	Inner Door Complete		1
344	<b>1526377-08/8</b>	Latch Bridging Plug Complete		1
509A	<b>1520419-14/2</b>	Tie Hinge		1
518	<b>1526414-02/2</b>	Bridge Door Lock		1
563	<b>50290016-00/0</b>	Kit Peg Door Panel		1
N.I.	<b>1170635021</b>	Template Installation Column		1
N.I.	<b>1172945303</b>	Operating Plate		1

**ESL66010B / 911936254 03 ONLY**

N.I.	<b>* DWEB001</b>	Door Ebony Kit		1
N.I.	<b>** 0050010765K</b>	Handle Door Kit		-

\* Order this Part N°. for Outer Door Panel replacement. Contains Black Outer Door Panel, Door Handle and Screws.

\*\* Order this Part N°. for Door Handle replacement only



9113027625

9113027625

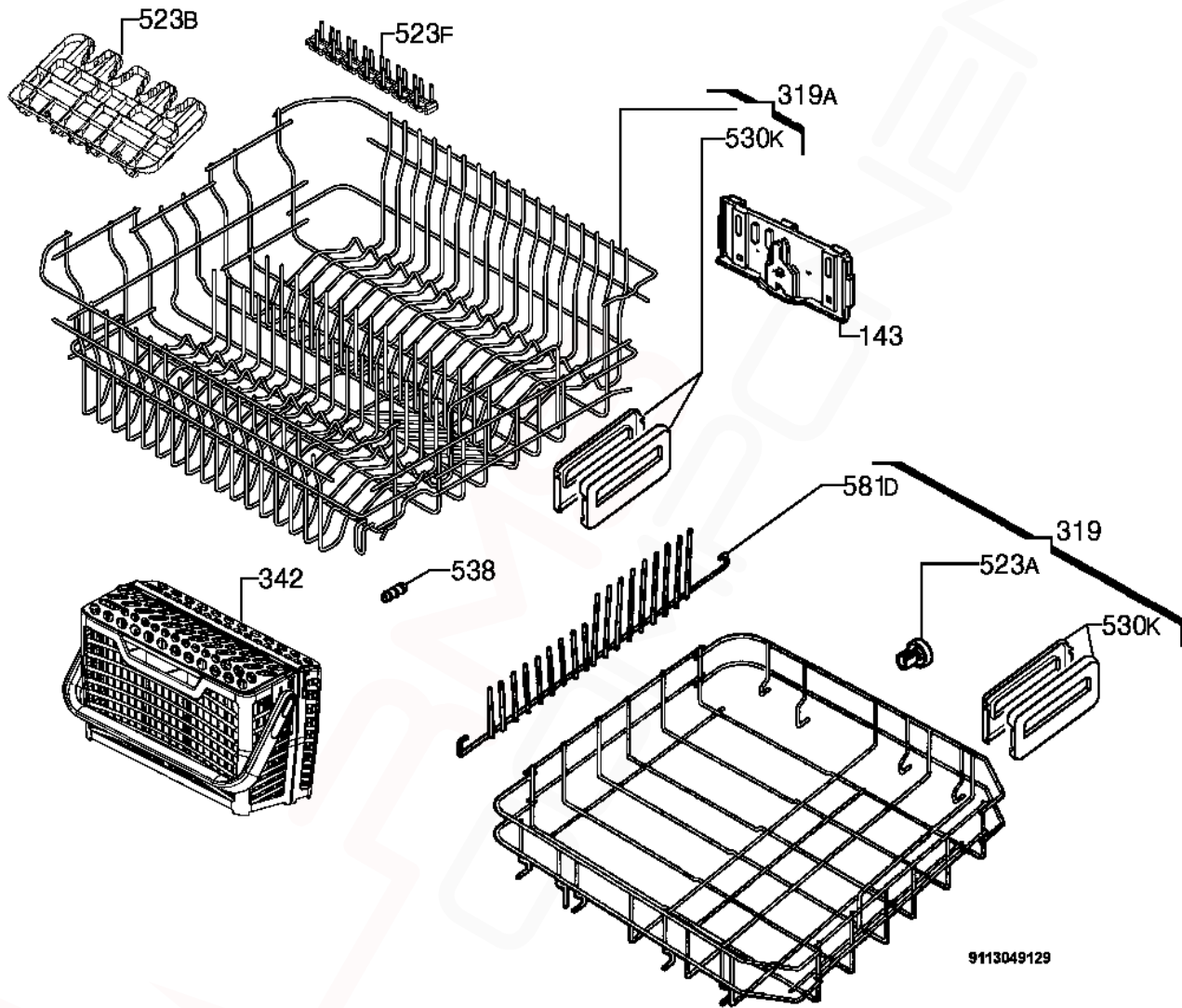
**MODELS: ESL66010  
ESL66010B**

**PNC 911936254 03  
PNC 911936254 03**

**EX. VIEW 9113027625  
CONTROL PANEL**

<b>ITEM</b>	<b>PARTN°</b>	<b>DESCRIPTION</b>	<b>Ex View 9113027625</b>	<b>QTY</b>
510	<b>1529489328</b>	Control Panel Silkscreened Complete		1
525	<b>1172912105</b>	ON/OFF Button Black		1





**MODELS: ESL66010  
ESL66010B**

**PNC 911936254 03  
PNC 911936254 03**

**EX. VIEW 9113049129  
BASKET ASSEMBLY**

<b>ITEM</b>	<b>PART N°</b>	<b>DESCRIPTION</b>	<b>Ex. View 9113049129</b>	<b>QTY</b>
143	<b>1172823005</b>	Adjustment Right		1
	<b>1172823104</b>	Adjustment Left		1
319	<b>1170595142</b>	Dishwasher Basket Bottom Dark Grey		1
319A	<b>1170539157</b>	Dishwasher Basket Upper Dark Grey		1
342	<b>1170388-00/1</b>	Cutlery Basket Complete LS60		1
523A	<b>50286965-00/4</b>	Wheel Kit Dark Grey (8 Pieces)		1
523B	<b>1170294-01/9</b>	Support Cup Silver		4
523F	<b>1528354-10/1</b>	Support Measure Cup Silver		4
530K	<b>4055069951</b>	Kit Handle Front		2
538	<b>1170324-00/6</b>	Space Compensator Upper Basket		2
581D	<b>1527092-41/3</b>	Separator Rear Back		2
	<b>1527092-51/2</b>	Separator Rear Front		2