



ELECTROLUX HOME PRODUCTS PTY LTD
ABN 51 004 762 341

Technical Publication N° DW201

Issue: 3
Date: 07/08

WEB SITE ADDRESS: www.partnship.com.au

ELECTROLUX
ELECTRONIC
DISHWASHER

SECTION	PAGE N°
OUTER PANEL & LINER ASSEMBLY	2 - 3
ELECTRICAL ASSEMBLY	4 - 5
WATER CIRCUIT ASSEMBLY	6 - 7
WATER SOFTENER ASSEMBLY	8 - 9
CONTROL PANEL & DOOR ASSEMBLY	10 - 11
BASKET ASSEMBLY	12 - 23
PROGRAMME CHART	14
WIRING DIAGRAM	15
CIRCUIT DIAGRAM	16
COMPONENT TESTING (SERVICE)	17
REGENERATION CYCLE	17 - 18
SAFETY FEATURES - CONTROLS/ALARMS	18 - 20
OPTIONS FOR IMPROVING WASH PERFORMANCE	21
COMPONENT DIAGNOSTICS TEST	21 - 23
FUNCTION DIAGNOSTICS CYCLE	23 - 24
TEST CYCLE (ABBREVIATED WASH PROGRAM)	25 - 26
TABLE OF ALARM CODES	27
GENERAL DATA	28

Note: This publication applies to ESL6180 models with the **01** variant attached at the end of the PNC number.

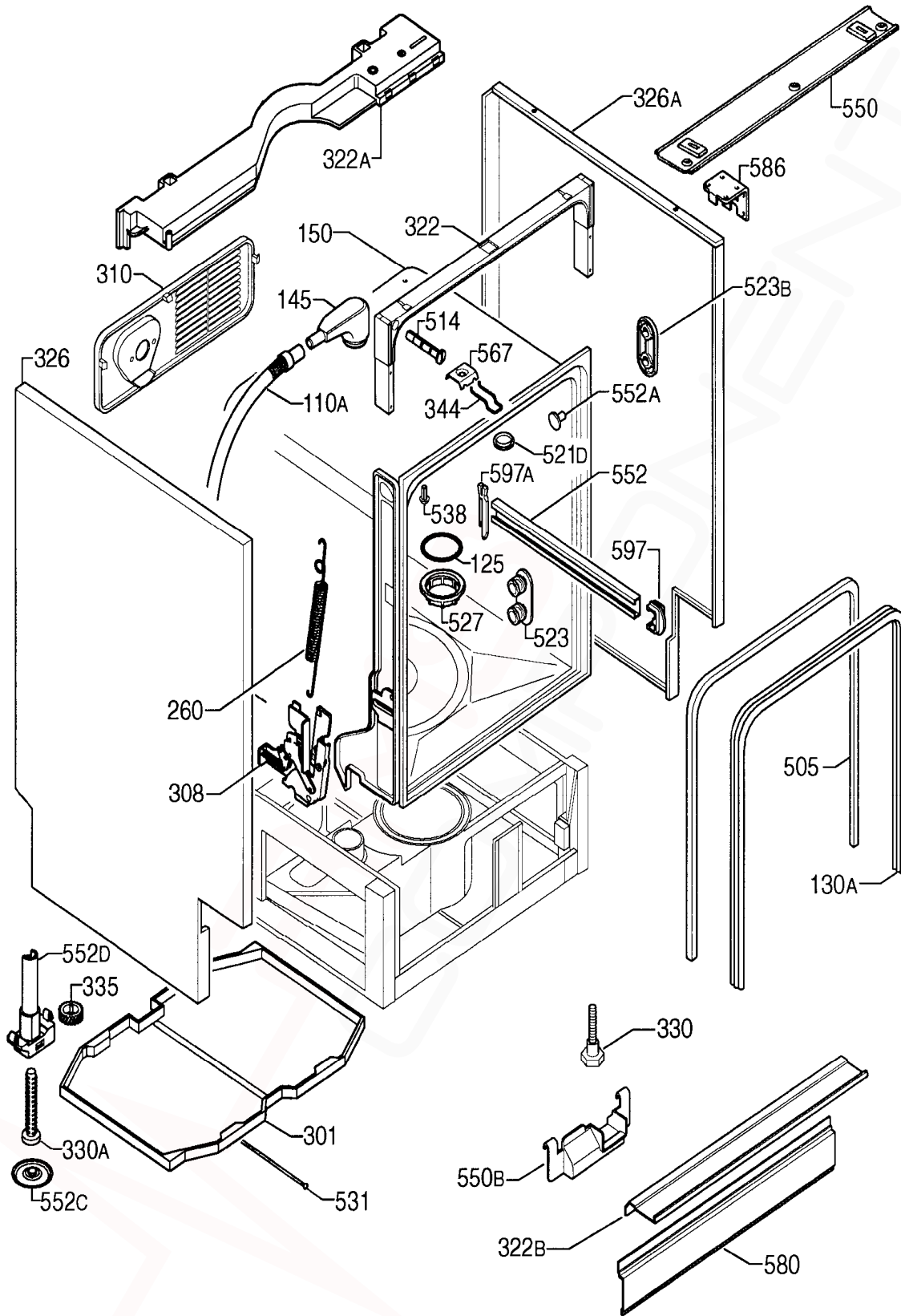
MODEL:

ESL6180

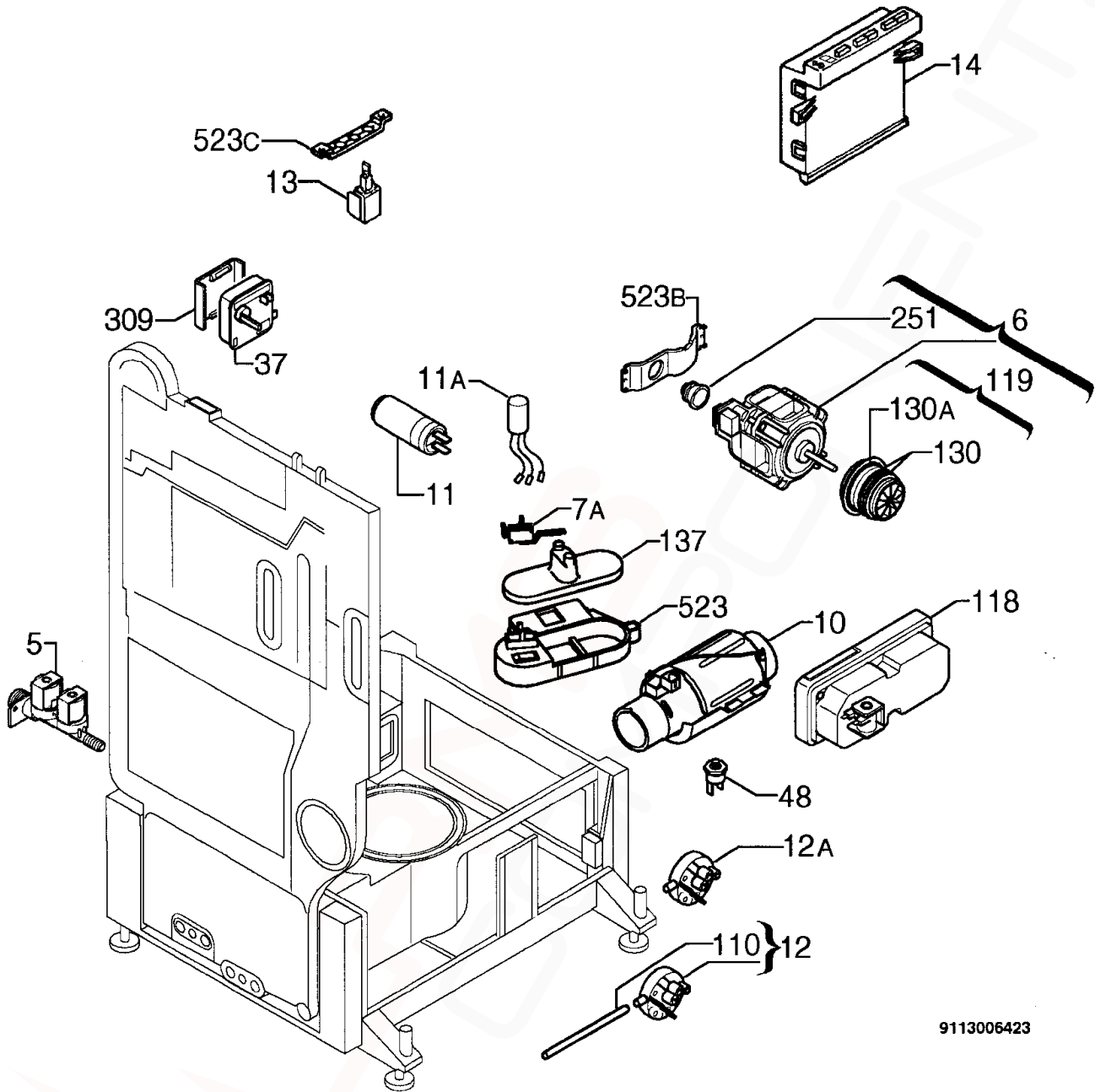
PNC: 911896073 **01**

MODEL: ESL6180

EX. VIEW DRAWING 3927
OUTER PANEL & LINER
ASSEMBLY



ITEM	PART NUMBER	DESCRIPTION Ex. 3927	QTY
110A	1525390-00/9	Tube, Manifold to Base	1
125	50249145-00/9	"O" Ring, Ferrule, Manifold	1
130A	1524445-01/0	Sealing Sleeve, Outer	1
145	1523599-01/5	Manifold, Drying	1
150	N.P.N.	Liner Assembly	1
260	1524312-00/4	Spring, Hinge	2
301	1523673-01/8	Tray, Drip	1
308	50251714-00/7	Hinge Kit, Door (LH/RH.)	2
310	1526379-00/1	Flap, Support, Solenoid	1
322	1525280-16/8	Crossbar, Front, Upper	1
322A	1523519-15/3	Crossbar, Back, Upper,	1
322B	1523512-04/2	Crossbar, Front, Bottom	1
326	1526790-00/9	Panel, Side, LH. (White)	1
326A	1526790-10/8	Panel, Side, RH. (White)	1
330	1522017019	Foot	2
330A	1523477-01/4	Leg, Central	1
335	1523261-00/4	Gear Wheel	1
344	1522344-05/8	Latch	1
505	1522337-02/9	Trimming, Tub/Cabinet	1
514	1522520-03/8	Socket, Adjustable	1
521D	1526576-00/2	Cover, Latch Hole	1
523	1522029-12/1	Bracket and Roller Assembly (Grey)	4
523B	1521220-03/6	Bracket, Re-Enforcement, Roller	4
527	1523520-10/2	Ferrule (Grey)	1
531	1523262-11/9	Screw Adjusting, Central Foot	1
538	1522335-01/5	Piece, Distance, Crosspiece, Rear	1
550	50252394-00/7	Guard, Front, Top	1
550B	1522345-03/0	Protection, Wiring	1
552	1520512-05/2	Rail, Basket, Upper	2
552A	1525272-21/5	Guidance, Inner Door (Grey)	2
552C	1523242-00/4	Pad, Slide, Leg	1
552D	1523777-01/7	Guide Rail, Central Foot	1
567	1523236-02/2	Clamp, Door Latch (Plaque)	1
580	1523513-04/0	Panel, Front, Bottom	1
586	1523160-13/1	Bracket, Fixing (Top)	2
597	1520479-10/4	Cap, Rail End (Grey)	2
597A	1525376-20/6	Stop, Rail End (Grey)	2

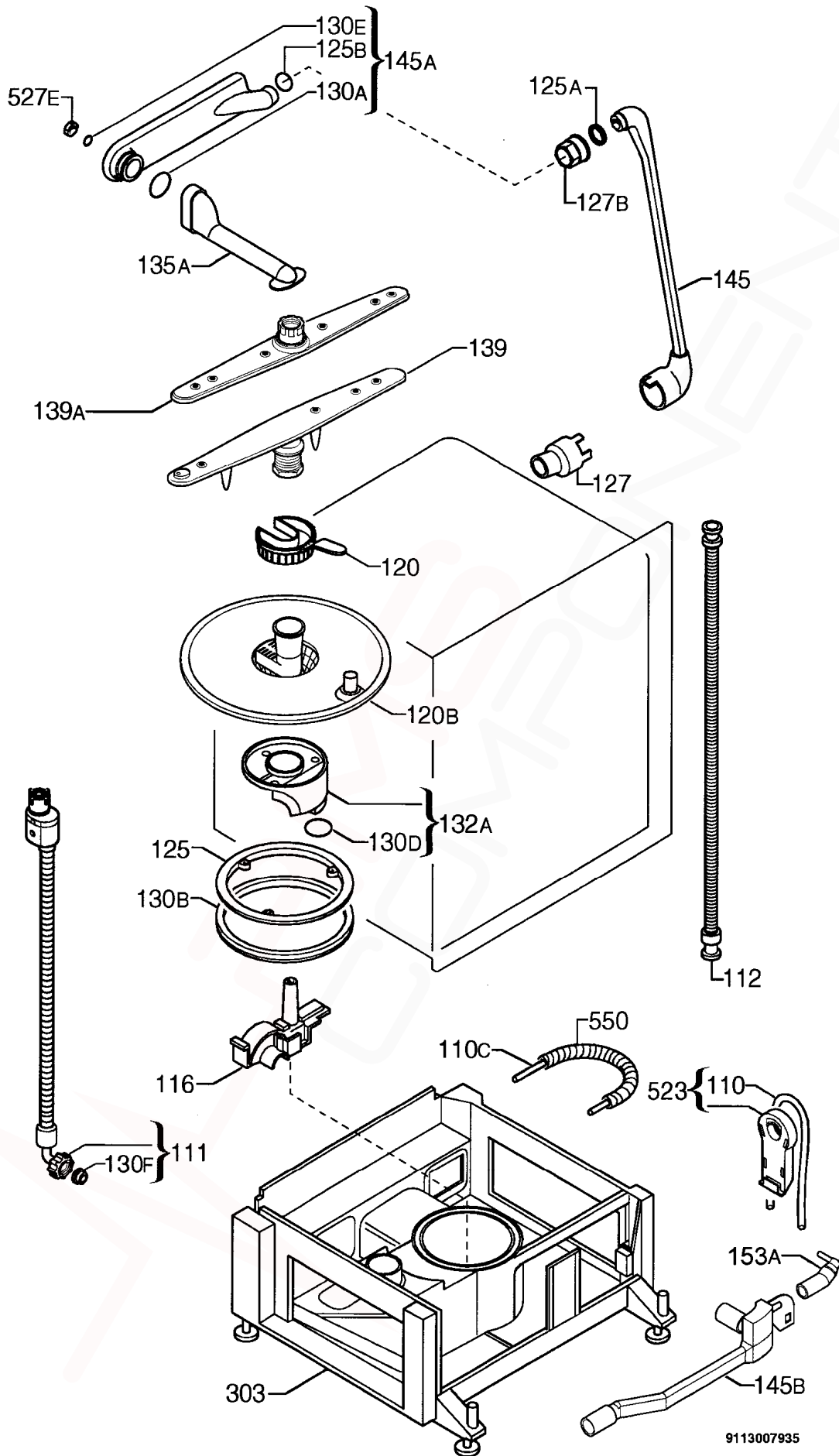


9113006423

ITEM	PART NUMBER	DESCRIPTION Ex. 6125	QTY
5	1526092-00/0	Valve, Anti-Overflow	1
6	50267491-00/4	Pump Assy. Kit (Inc. Items 130, 130A and 251)	1
7A	1520393115	Switch, Micro, Anti-Overflow	1
10	1115773-00/2	Element, Heater (230V - 2100W)	1
11	1522966-10/8	Capacitor (4 μ F)	1
11A	1521029-10/6	Capacitor, Anti-Interference	1
12	1529790-70/9	Switch, Pressure (Inc. Item 110)	1
12A	1524613-30/2	Switch, Pressure, Anti-overflow	1
13	1520646025	Switch, On/Off	1
14	1525557-50/8	Controller Assembly, Electronic	1
37	1521594000	Box, Junction	1
48	50261253-00/4	Sensor, Temperature, Element	1
110	0055250455	Tube, Pressure Switch	1
118	1525531-30/5	Dispenser, Detergent (Grey)	1
119	50267511-00/9	Impellers Assembly (Inc. Items 130 &130A)	1
130	1520292002	Gasket, Pump, Front, 50/39 mm. Dia.	1
130A	1520292101	Gasket, Pump, Front, 63/09 mm. Dia.	1
137	1520170-03/4	Float	1
251	1522489-02/8	Buffer, Back, Motor	1
309	1522164001	Cover, Box, Junction	1
523	1520169051	Housing, Float	1
523B	1523700-00/1	Bracket, Support, Motor	1
523C	1520645019	Bracket, Support, Push Button	1
N.I.	1523902-00/3	Wiring, Anti-Interference	1
N.I.	1525558-05/0	Harness, Main PCB	1
N.I.	1525448-00/5	Harness, Wiring, Bottom	1

MODEL: ESL6180

EX. VIEW DRAWING 6123
WATER CIRCUIT ASSEMBLY

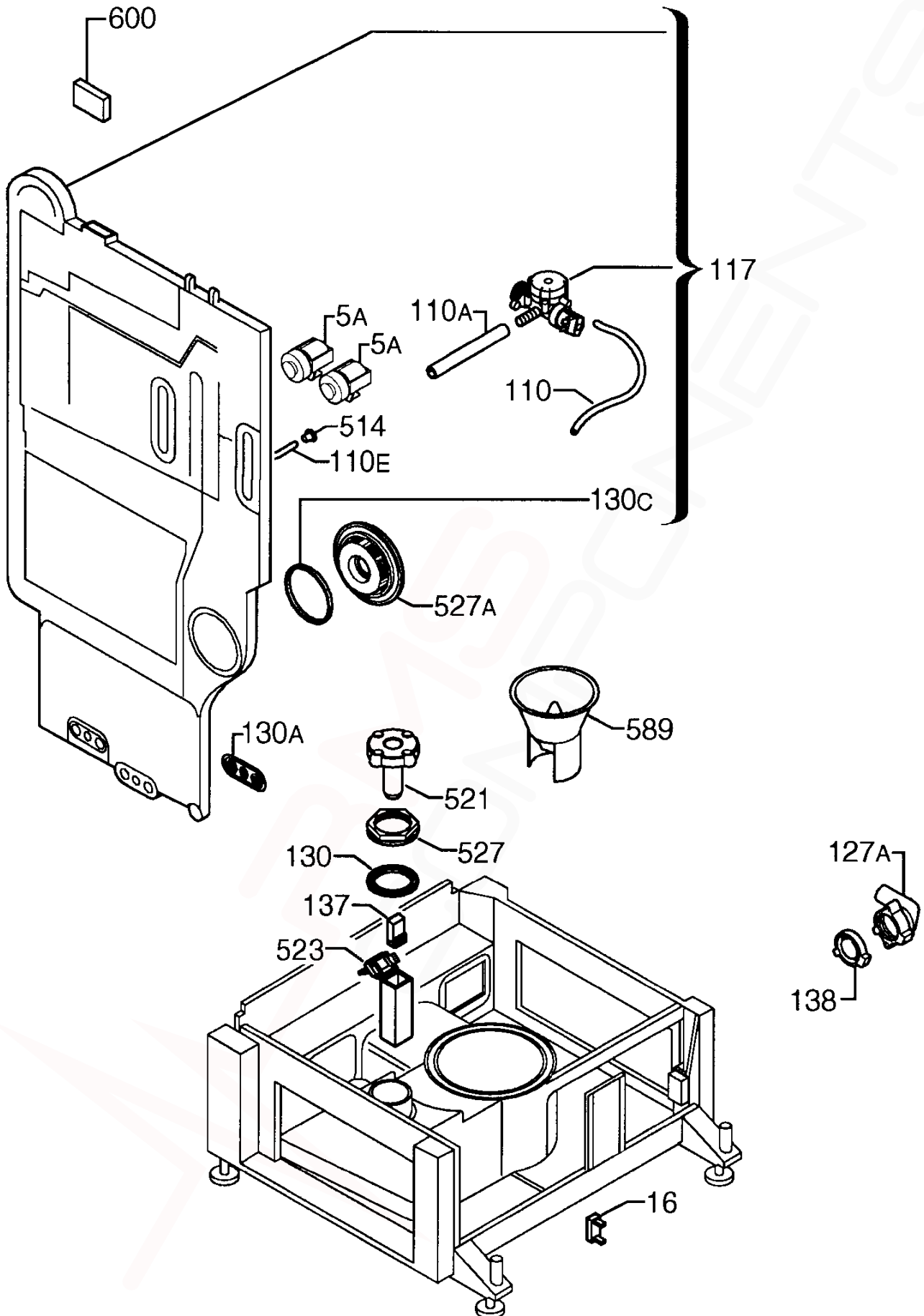


9113007935

ITEM	PART NUMBER	DESCRIPTION Ex. 6123	QTY
110	1526392-00/4	Hose, Connecting, Stand	1
110C	1520464-31/2	Tube, Water Balance	1
111	1522221-12/4	Hose, Inlet, Safety (1500 mm)	1
112	0571 400 142	Hose, Drain	1
116	1522410-20/6	Scroll, Wash	1
120	1524505-10/2	Filter, Drain Pump (Grey)	1
120B	1525490-12/2	Filter, Column (Grey)	1
125	1522342-02/9	Retainer, Sump	1
125A	50248856-00/2	"O"-Ring, Manifold, Outer	1
125B	50227938-00/3	"O"-Ring, Manifold, Inner	1
127	1524422-03/5	Connector, Water Sump to Heater	1
127B	1523118-10/5	Connector, Manifold, (Grey)	1
130A	1523119-01/2	Seal, Channel, Drainage	1
130B	1522414-02/6	Gasket, Sump	1
130D	1520772003	Gasket, Column	1
130E	1522802-00/6	Sealing Strip	1
130F	1240151009	Gasket, Hose	1
132A	1529841-80/9	Column and Gasket Assembly	1
135A	1524902-40/8	Channel, Drainage (Grey)	1
139	1524786-30/6	Arm, Bottom Spray (Grey)	1
139A	1524744-10/7	Arm, Upper Spray (Grey)	1
145	1524421-02/9	Manifold, Heater Element	1
145A	1529844-40/7	Manifold Assy., Horizontal (Grey)	1
145B	1529756-30/4	Channel, Drain, Pressure Switch	1
153A	1526053-10/1	Valve, Water Block, Complete	1
303	N.P.N.	Stand Assembly	1
523	50207251-00/5	Pipe Stud, Pressure Switch	1
527E	50239993-00/4	Nut, Water Distributor	1
550	1524982-00/4	Tube, Protection, Water Balance Tube	1

MODEL: ESL6180

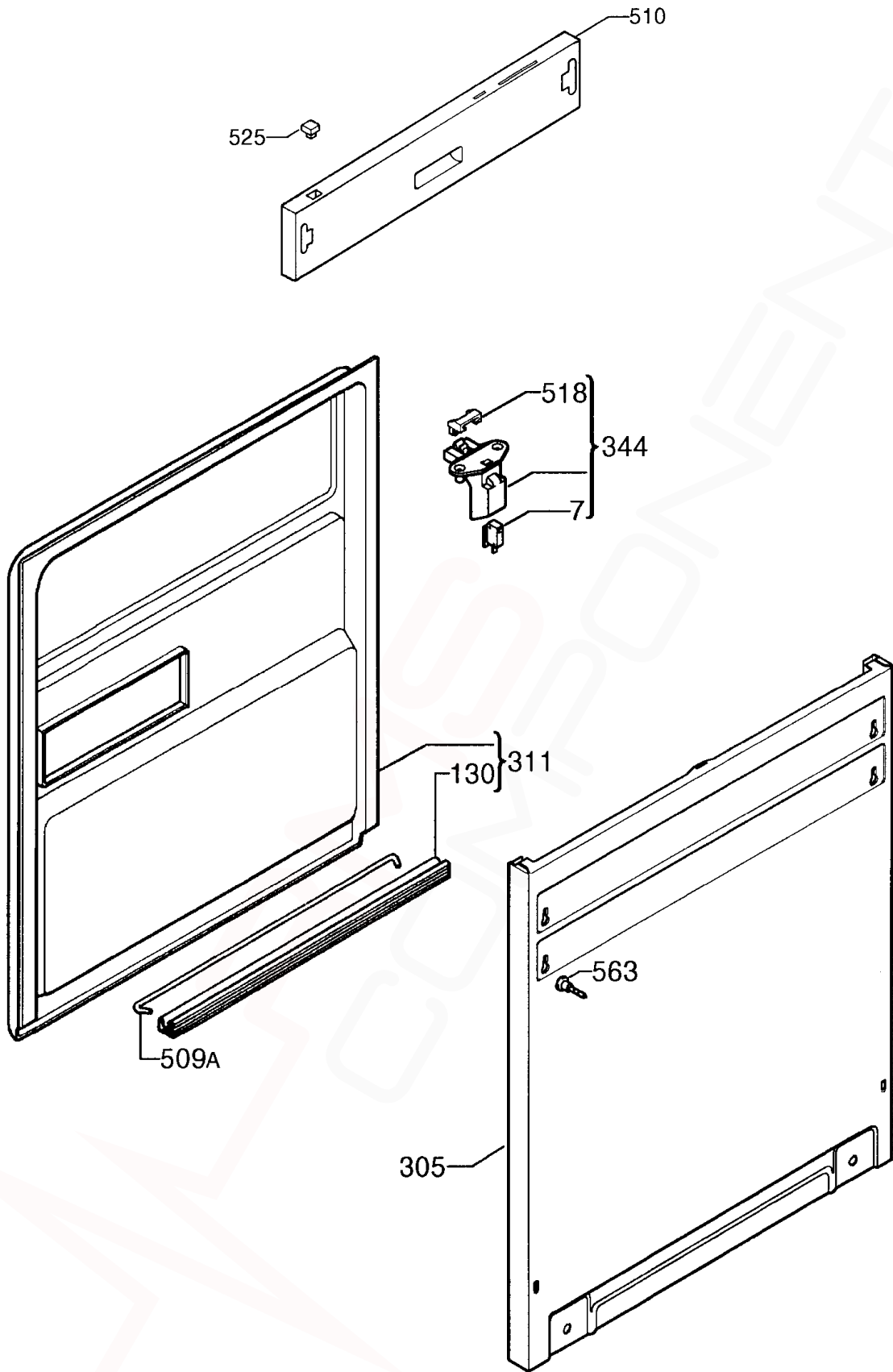
EX. VIEW DRAWING 3924
WATER SOFTENER ASSEMBLY



ITEM	PART N°	DESCRIPTION Ex. 3924	QTY
5A	1529746-70/1	Valve, Electric	2
16	1523184-00/8	Sensor, Salt	1
110	1529902-10/6	Hose, Valve	1
110A	1529902-20/5	Hose	1
110E	1520465103	Tube, Regeneration Tank Drain (250 mm)	1
117	1524624-20/0	Softener, Water (Inc. Items 5A, 110, 110A, 110E, 130C & 514)	1
127A	1522340-03/1	Connector, Outlet Valve	1
130	1525274-00/5	Seal, Decalcifier	1
130A	1522338-00/1	Gasket, Regen. Tank	1
130C	50659231-00/0	Seal, Round	1
137	1522447-00/0	Float	1
138	1522418-03/5	Membrane, Outlet Valve	1
514	2239010050	Bushing	1
521	1520251-60/2	Bung, Decalcifier, (Grey)	1
523	1522346-02/0	Support, Float	1
527	1520250-10/9	Ferrule, Decalcifier, (Grey)	1
527A	1524050-40/6	Ferrule, Active Dry (Grey)	1
589	1520328-40/0	Funnel, (Grey)	1
600	1523692-02/6	Sponge	1

MODEL: ESL6180

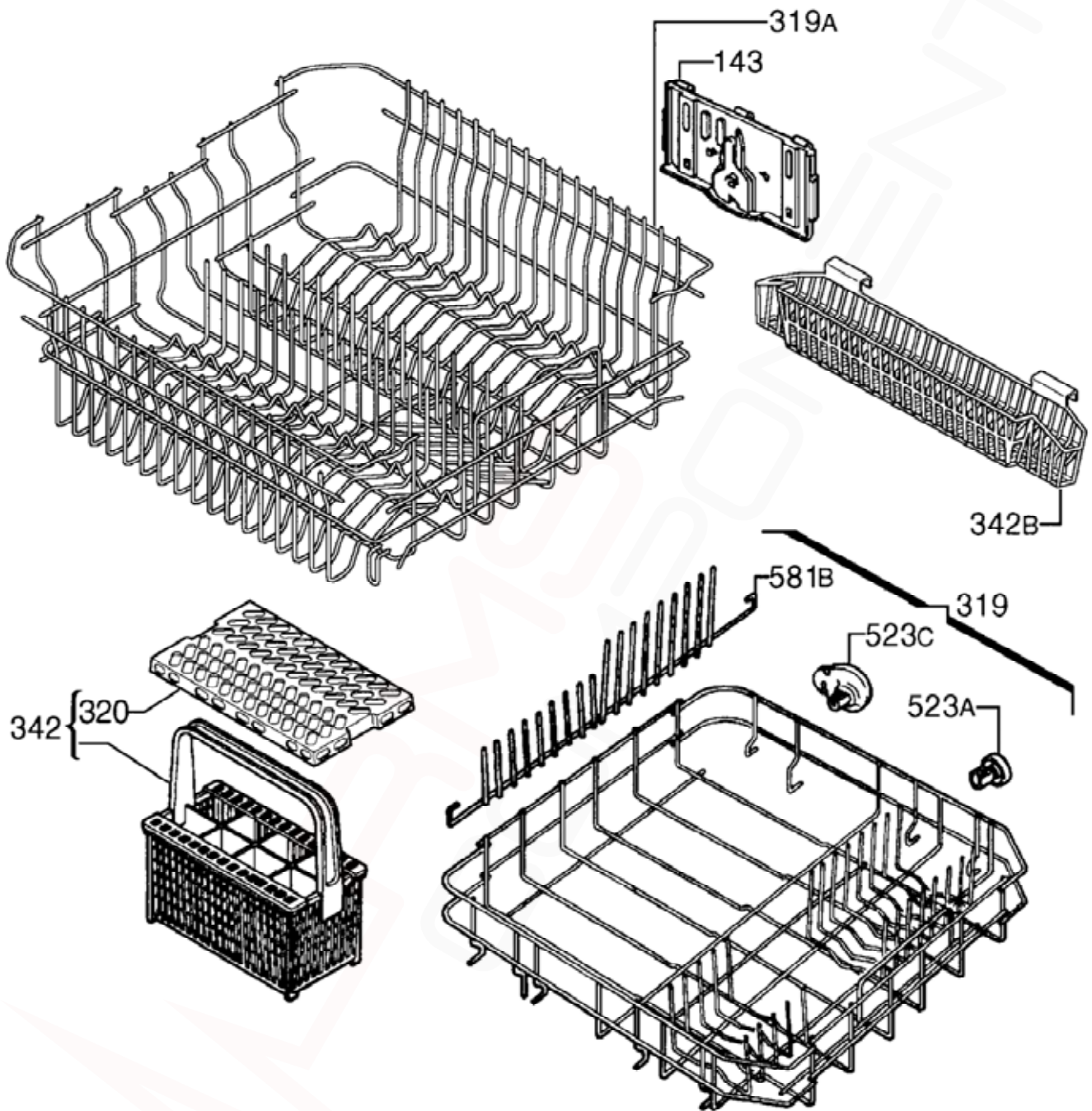
EX. VIEW DRAWING 3939
CONTROL PANEL &
DOOR ASSEMBLY



ITEM	PART N°	DESCRIPTION Ex. 3939	QTY
7	50253835-00/8	Switch, Micro, Door	1
130	1520425008	Gasket, Door Bottom,	1
305	1524571-05/4	Panel, Door (White)	1
311	50267909-00/5	Panel Assembly, Door, Inner (Inc. Items 130 & 509A)	1
344	50272150-00/9	Latch Kit, Bridging Plug (Inc. Items 7 & 518)	1
509A	1520419-14/2	Tie, Hinge	1
510	1526270-20/0	Panel, Control	1
518	1526414-00/6	Plug, Bridging	1
525	1522518-40/4	Button, Push	1
563	50253377-00/1	Peg Kit, Door Panel (2 Per)	1
N.I.	1525218-03/6	Template	1
N.I.	1523774-00/6	Guard, Base	1
N.I.	1525723-42/3	Plate, Operating	1

MODEL: ESL6180

EX. VIEW DRAWING 3925
BASKET ASSEMBLY



ITEM	PART NUMBER	DESCRIPTION Ex. 3925	QTY
143	1522655-20/6	Adjustment, Height. L/H. (Grey)	1
	1522655-30/5	Adjustment, Height. R/H. (Grey)	1
319	1529791-53/3	Basket Assy., Bottom (Grey)(Inc. Items 523A, 523C & 581B)	1
319A	1525575-41/9	Basket, Upper (Grey)	1
320	1525019-10/3	Grate, Cutlery Basket (Grey)	1
342	1525593-00/8	Basket Assy., Cutlery (Grey)	1
342B	1524377-10/6	Basket (Knife)(Grey)	1
523A	50269757-00/6	Roller Assembly, Lower Basket (Grey)	4
523C	50269765-00/9	Wheel Kit, Lower Basket (R/H)(Grey)	2
	50269766-00/7	Wheel Kit, Lower Basket (L/H)(Grey)	2
581B	1523142-10/5	Partition, Adjustable (Grey)	1