



ELECTROLUX HOME PRODUCTS PTY LTD
ABN 51 004 762 341

Technical Publication N° DW258

Issue: 1
Date: 6/10

WEB SITE ADDRESS: www.partnship.com.au

ELECTROLUX
ELECTRONIC DISHWASHER

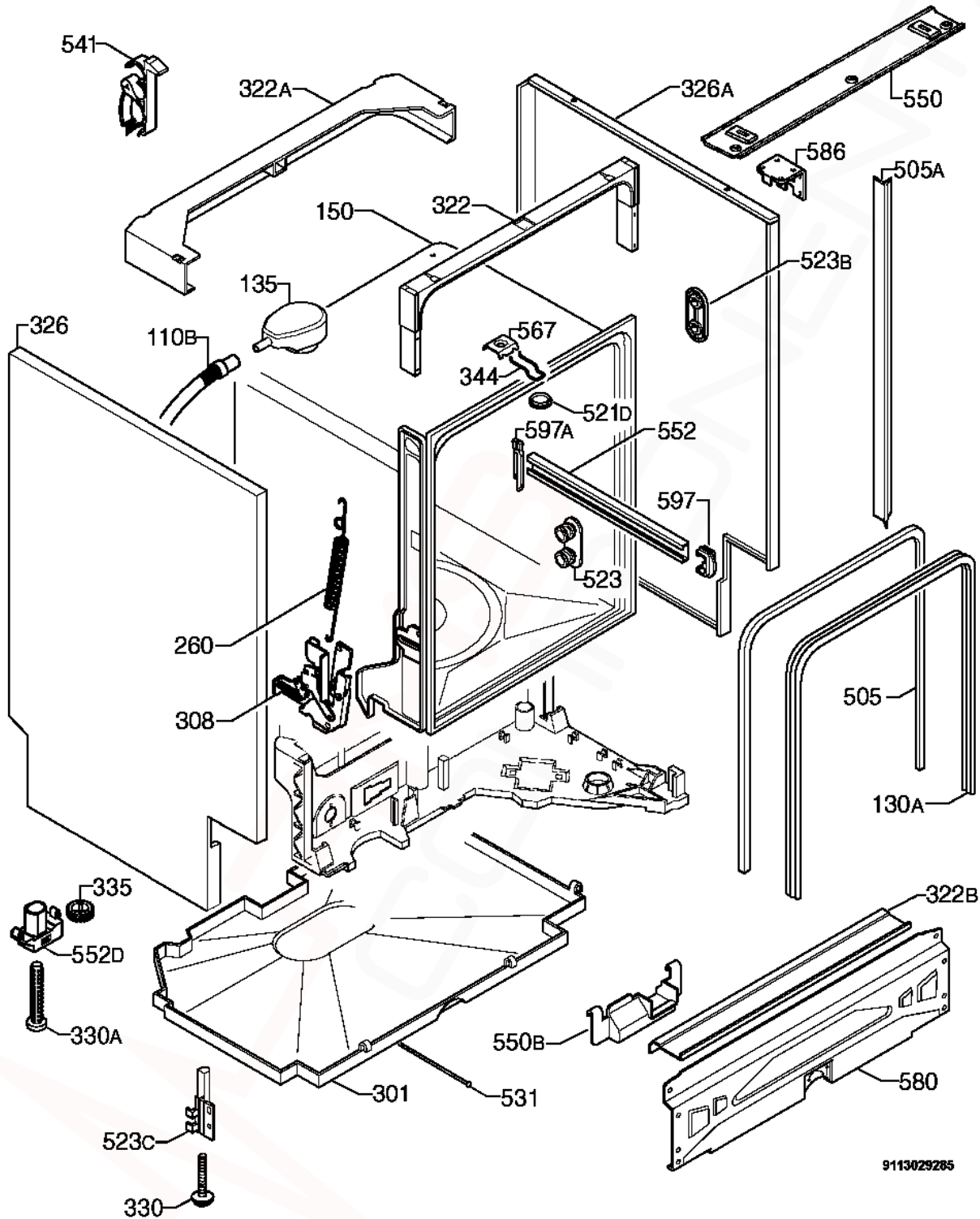
TO BE USED IN CONJUNCTION WITH
CIRCUIT and WIRING DIAGRAM PUBLICATION - DW230.

MODEL:

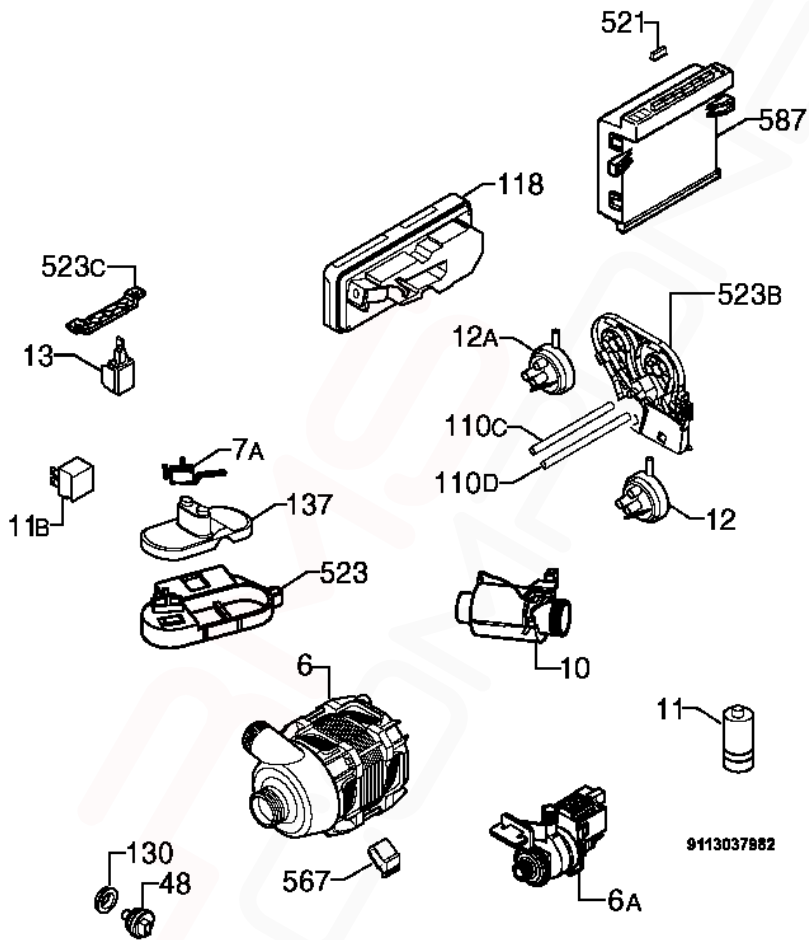
ESL6163
PNC 911986227 02

VARIANT CHANGE SUMMARY	
02	Door Sealing, Drain Pump, Modified Air Dome, Top Basket Wheel Support, Stiffener & Rails Modified, P1 & P2 Pressure Switches & Tubes Modified.

First Release Dates:	
ESL6163	JULY '07

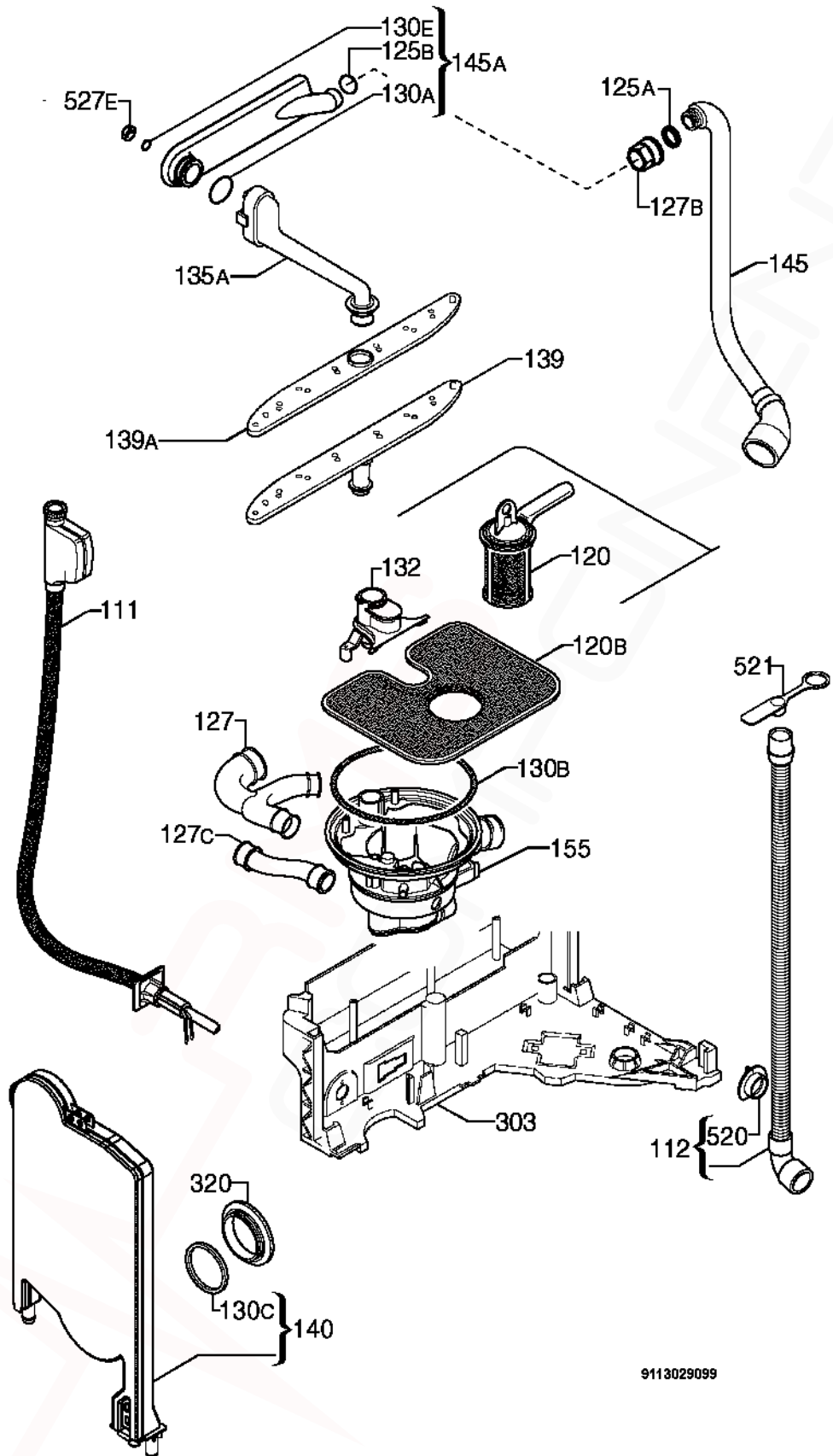


ITEM	PART N°	DESCRIPTION Ex. 9113029285	QTY
110B	1527937-11/2	Hose Drying x 730mm Long	1
130A	1171265-10/9	Sealing Outer x 1830mm Long	1
135	1171458-10/0	Air Guide ACTIVE DRYING	1
150	N.P.A.	Tub	-
260	1528114-00/0	Spring Door Hinge	2
301	1526298-07/8	Bottom Cabinet	1
308	50286356-00/6	Kit Door Hinge Right-Left	1
322	1526926-22/3	Crossbar Front Upper	1
322A	1170350-01/9	Crossbar Back Upper	1
322B	1527256-10/9	Crossbar Front Bottom	1
326	1526825-60/7	Side Panel Left White	1
326A	1526825-70/6	Side Panel Right White	1
330	1526617-02/0	Adjustable Foot Front	2
330A	1526994-00/7	Adjustable Foot Central	1
335	1527142-00/2	Cog Wheel	1
344	1522344-05/8	Latch	1
505	1526715-10/5	Trimming Tub Cabinet x 1810mm Long	1
505A	1522222-60/1	Trimming Side x 642mm Long	2
521D	1526576-00/2	Hole Cover Latch	1
523	50289087-00/4	Wheel Support Kit Dark Grey (4 Pieces)	1
523B	1521220-10/1	Stiffening Holder Roller	4
523C	1526315-03/9	Foot Support Front Left	1
523C	1526315-13/8	Foot Support Front Right	1
531	1170685-00/0	Adjusting Screw Foot Central	1
541	1526417-00/9	Hose Clamp	1
550	50290435-00/2	Protection Front Upper	1
550B	1522345-03/0	Wiring Protection	1
552	1170542-00/3	Rail Basket Upper	2
552D	1523698-06/4	Guidance Rail Foot Central	1
567	1523236-03/0	Plaque	1
580	1526314-06/5	Door Lock Front Bottom	1
586	1170209-00/9	Fixing Bracket Top	2
597	1520479-30/2	Basket Stop Front Dark Grey	2
597A	8996461234057	Stopper Back Dark Grey	2
N.I.	50282092-00/1	Fixing Clip Stud (4 Pieces)	1
N.I.	1527711004	Cap Protection Screws	1



9113037982

ITEM	PART N°	DESCRIPTION Ex. 9113037982	QTY
6	1111468-12/8	Washing motor tachometric	1
6A	50293177-00/7	Drain pump 50Hz	1
7A	1520393-11/5	Microswitch anti-overflow	1
10	50297618-00/6	Heater 230V/2000W Ø32mm.	1
11	50287485-00/2	Running capacitor shank	1
11B	0144400042	Interference suppressor	1
12	1526370-03/4	Pressure switch level 65/45	1
12A	1526370-14/1	Pressure switch safety 123/98	1
13	1527532-00/4	Push button board 1 button	1
48	0534400081	Temperature sensor	1
110C	1170450-40/5	Tube pressure switch safety x 515mm Long	1
110D	1170450-51/2	Tube pressure switch level x 525mm Long	1
118	50285882-00/2	Kit dispenser detergent	1
130	0208400152	Sealing sleeve temperature sensor	1
137	1526761-01/8	Float	1
521	1526601-30/5	Cover cap keyboard silver	1
523	1520169-06/9	Support float	1
523B	1170351-00/9	Mount pressure switch	1
523C	1520645-01/9	Push button holder	1
567	1118709102	Rubber damper circulation pump	1
587	973911986227024	Configured electronic EDW1503	1
N.I.	1170862-31/0	Power cable AUS/NZ	1
N.I.	1527288-45/8	Harness complete	1
N.I.	1526491-01/2	Electric cable anti-overflow gasket	1

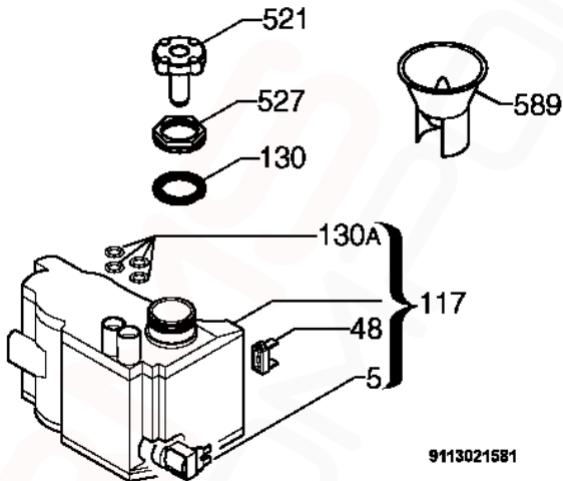


ITEM	PART N°	DESCRIPTION Ex. 9113029099	QTY
111	1526443-04/7	Inlet Hose Water Block x 1500 mm Long	1
112	1526492-01/0	Outlet Tube Complete x 1930mm Long	1
120	50297774-00/7	Drain Filter Complete	1
120B	1524360-00/3	Filter Inox	1
125A	50282650-00/6	O-Ring Manifold Outer	1
125B	50227938-00/3	O-Ring Manifold Inner	1
127	1118796-00/0	Pipe Union Y Ø32mm	1
127B	1523118-20/4	Pipe Union Manifold Dark Grey	1
127C	1526716-01/2	Pipe Union Decalcifier Sump	1
130A	1523119-01/2	Seal Channel Drainage	1
130B	0208400147	O-Ring Sump	1
130C	50659231-00/0	Round Seal Container Cup	1
130E	1522802-00/6	Sealing Strip	1
132	0012400051	Column Support Lower Spray Arm	1
135A	50281041-00/9	Channel Drainage Grey Complete	1
139	1526523-00/4	Lower Spray Arm Light Grey	1
139A	1526520-03/4	Spray Arm Upper Grey	1
140	1170481-00/4	Container Cup Small Electronic	1
145	1528192-00/6	Manifold Outer	1
145A	1172023-01/0	Manifold Horizontal Dark Grey	1
155	1527957-02/9	Sump Pipe Union Complete	1
303	1526292-09/7	Basement	1
320	1526272-10/7	Grill Vapour Outlet Dark Grey	1
520	1526862-00/6	Flange Discharge Pipe	1
521	1527389-00/9	Stopper Drainage Hose	1
527E	50286080-00/2	Nut Water Distributor	1

If a Customer needs to extend their Drain Hose, order the following components:
0571400142 Hose Drain (2M length), 0182200002 Ferrule Hose Joiner (19mm)
and 2 x 0005001019 Clamp.

For extensions less than 2 metres, use ES5323K Kit Hose Flex Drain (1M)

NOTE: Total Drain Hose length must not exceed 4 metres.



9113021581

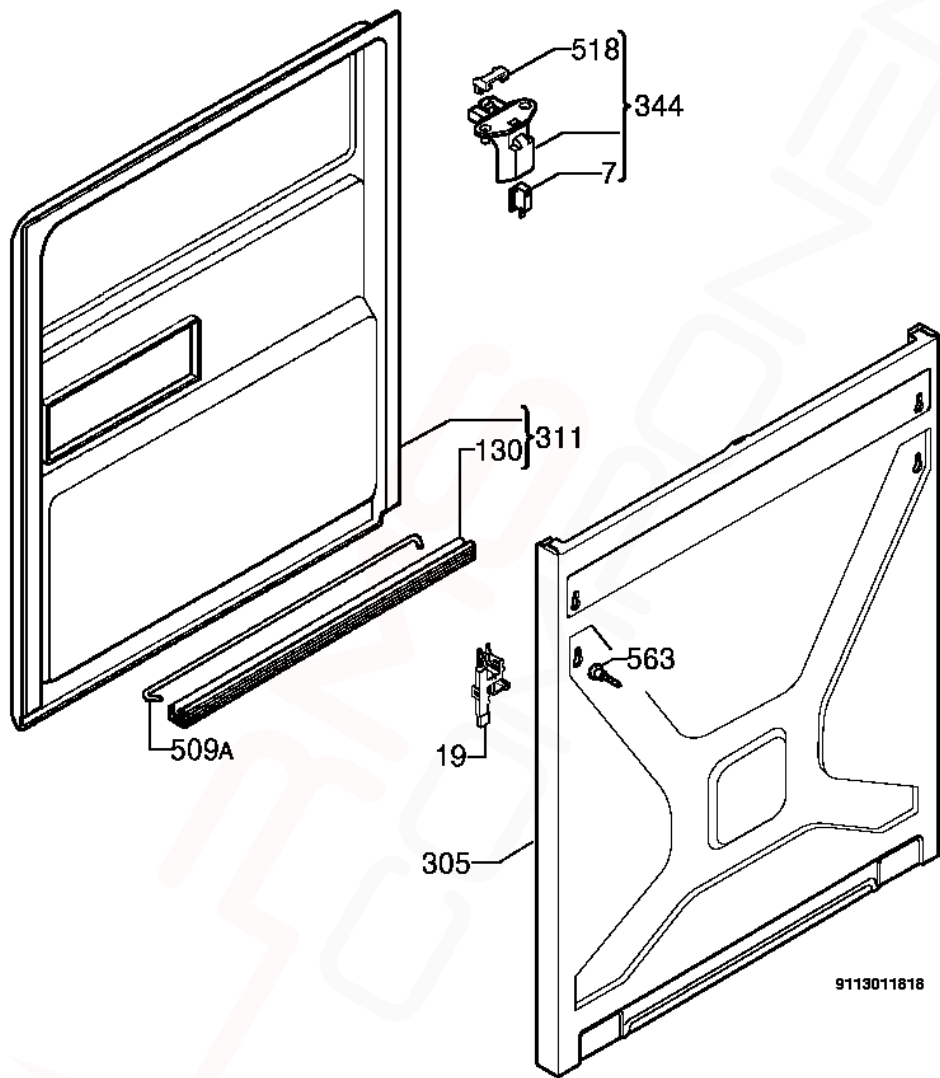
9113021581

MODEL: ESL6163

PNC 911986227 02

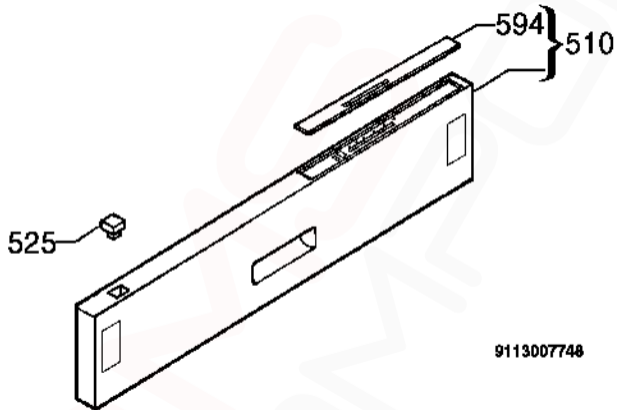
**EX. VIEW 9113021581
REGENERATION TANK
COMPONENTS**

ITEM	PART N°	DESCRIPTION	Ex. 9113021581	QTY
5	1528765-01/7	Regeneration Electric Valve Water Softener BITRON		1
48	1528882-01/0	Salt Sensor Decalcifier T&P		1
117	50286081-00/0	Decalcifier		1
130	1521128-10/6	Gasket Decalcifier		1
130A	1526505-00/1	Grommet Decalcifier		4
521	1526411-00/2	Stoppie Decalcifier		1
527	1526449-10/1	Ring Nut Decalcifier Dark Grey		1
589	1520328-40/0	Funnel Dishwasher Salt Grey		1



9113011818

ITEM	PARTN°	DESCRIPTION	Ex. 9113011818	QTY
7	50287927-00/3	Microswitch Door		1
19	1111414-13/0	Door Indicator Lamp Light Bottom		1
130	1527401-00/2	Door Gasket Bottom Black x 550 Long		1
305	1526822-01/8	Door White Integrated		1
311	50281813-00/1	Inner Door Complete		1
344	1526377-08/8	Latch Bridging Plug Complete		1
509A	1520419-14/2	Tie Hinge		1
518	1526414-02/2	Bridge Door Lock		1
563	50253377-00/1	Kit Peg Door Panel (2 Pieces)		1
N.I.	1527311-02/9	Template Door		1



9113007748

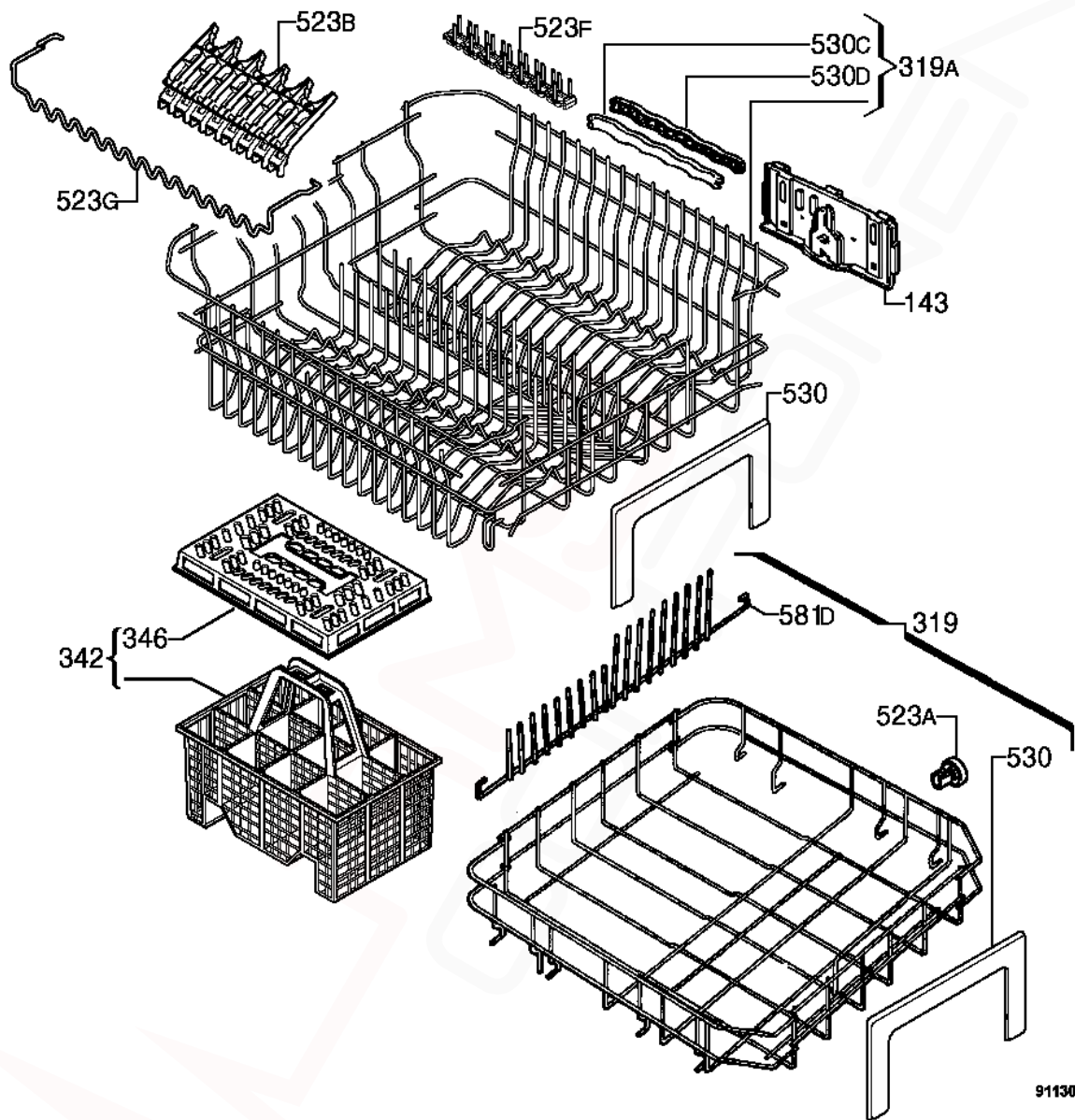
9113007748

MODEL: ESL6163

PNC 911986227 02

**EX. VIEW 9113007748
PANEL CONTROL**

ITEM	PARTN°	DESCRIPTION	Ex. 9113007748	QTY
510	1528481-91/2	Control Panel Silkscreened Complete		1
525	1521064-40/0	Push Button Black		1
594	1528481-91/2	Control Panel Silkscreened		1



ITEM	PARTN°	DESCRIPTION Ex. 9113020575	QTY
143	50283687-00/7	Adjustment Kit Right-Left Dark Grey	1
319	1529703-31/4	Dishwasher Basket Bottom Grey	1
319A	1179990302	Dishwasher Basket Upper Light Grey	1
342	1118228-00/4	Cutlery Basket Light Grey Complete	1
346	1118227-00/6	Grating Cutlery Basket Grey	1
523A	50286965-00/4	Wheel Kit Dark Grey (8 Pieces)	1
523B	1527713-13/3	Support Cup Grey	1
523F	1528354-10/1	Support Measure Cup Silver	4
523G	1528166-00/0	Support Measure Cup Grey	1
530	1170082-01/8	Handle Dishwasher Basket Silver	2
530C	1523108-40/3	Handle Inner Silver	2
530D	1523107-40/5	Handle Outer Silver	2
581D	1527092-01/7	Partition Back Rear	2
581D	1527092-21/5	Partition Back Front	2