



ELECTROLUX HOME PRODUCTS PTY LTD

Technical Publication N° DW152

Issue: 3
Date: 09/17

WEB SITE ADDRESS: <http://www.partnship.com.au>

ELECTROLUX
DISHWASHER

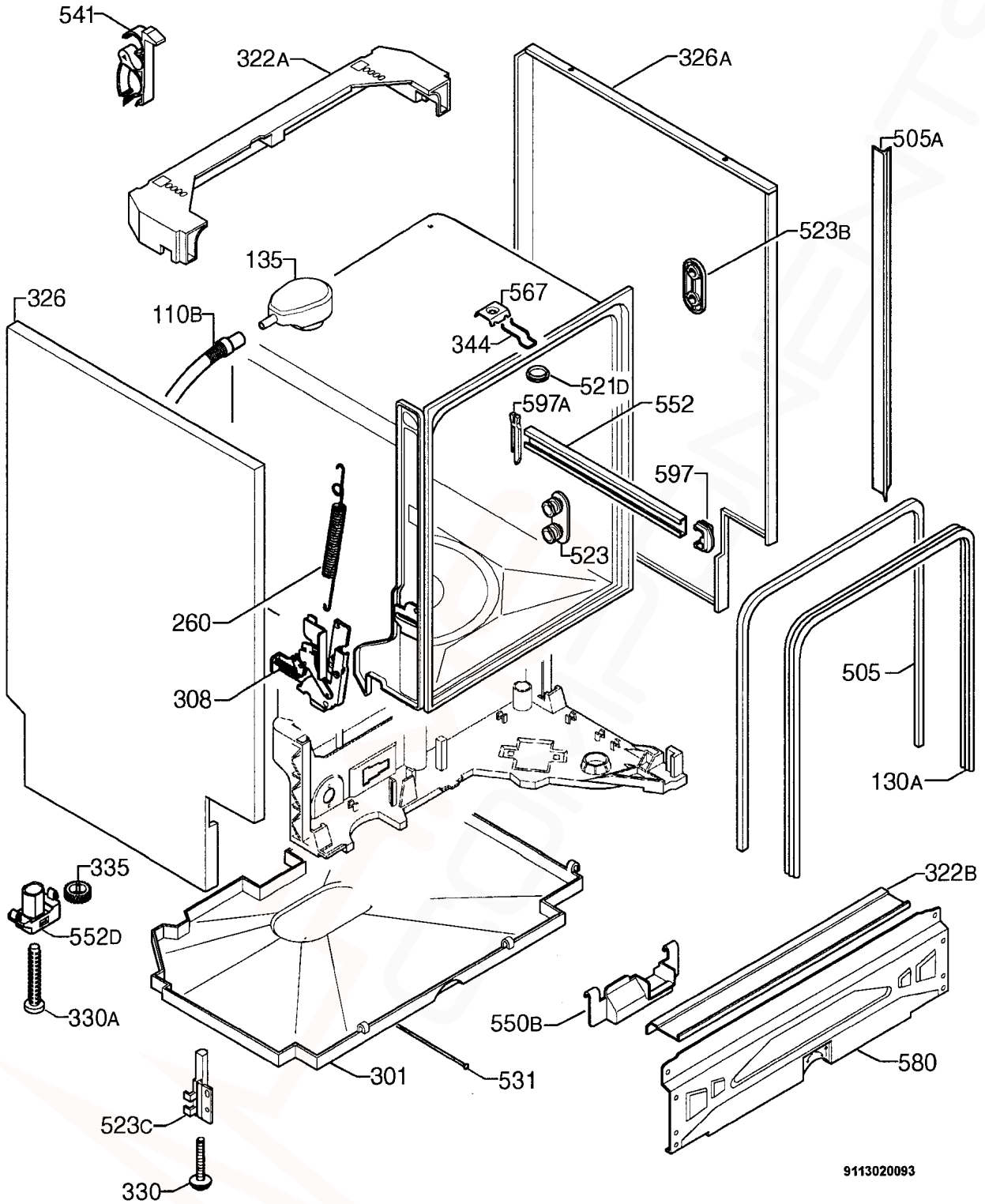
SECTION	PAGE N°
OUTER PANEL & LINER ASSEMBLY	2 & 3
ELECTRICAL ASSEMBLY	4 & 5
WATER CIRCUIT ASSEMBLY	6 & 7
WATER SOFTENER ASSEMBLY	8 & 9
CONTROL PANEL ASSEMBLY	10 & 11
BASKET ASSEMBLY	12 to 13
DOOR ASSEMBLY	14 & 15
PROGRAM TABLE	16
WIRING DIAGRAM	17
CIRCUIT DIAGRAM	18

MODEL:

ESL6143
PNC 911 935 221

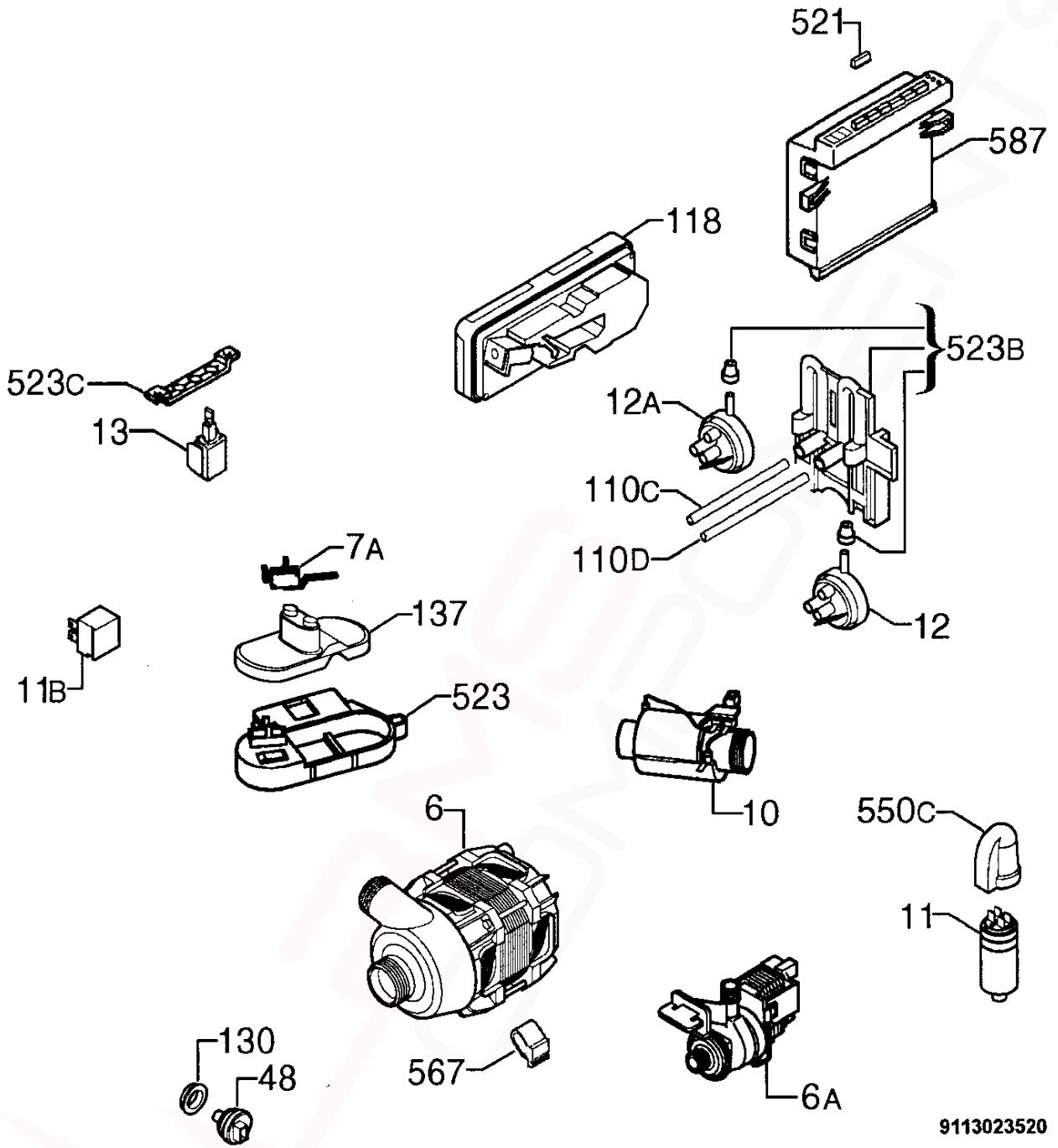
MODEL: ESL6143

EX. VIEW DRAWING 5584
OUTER PANEL & LINER ASSEMBLY



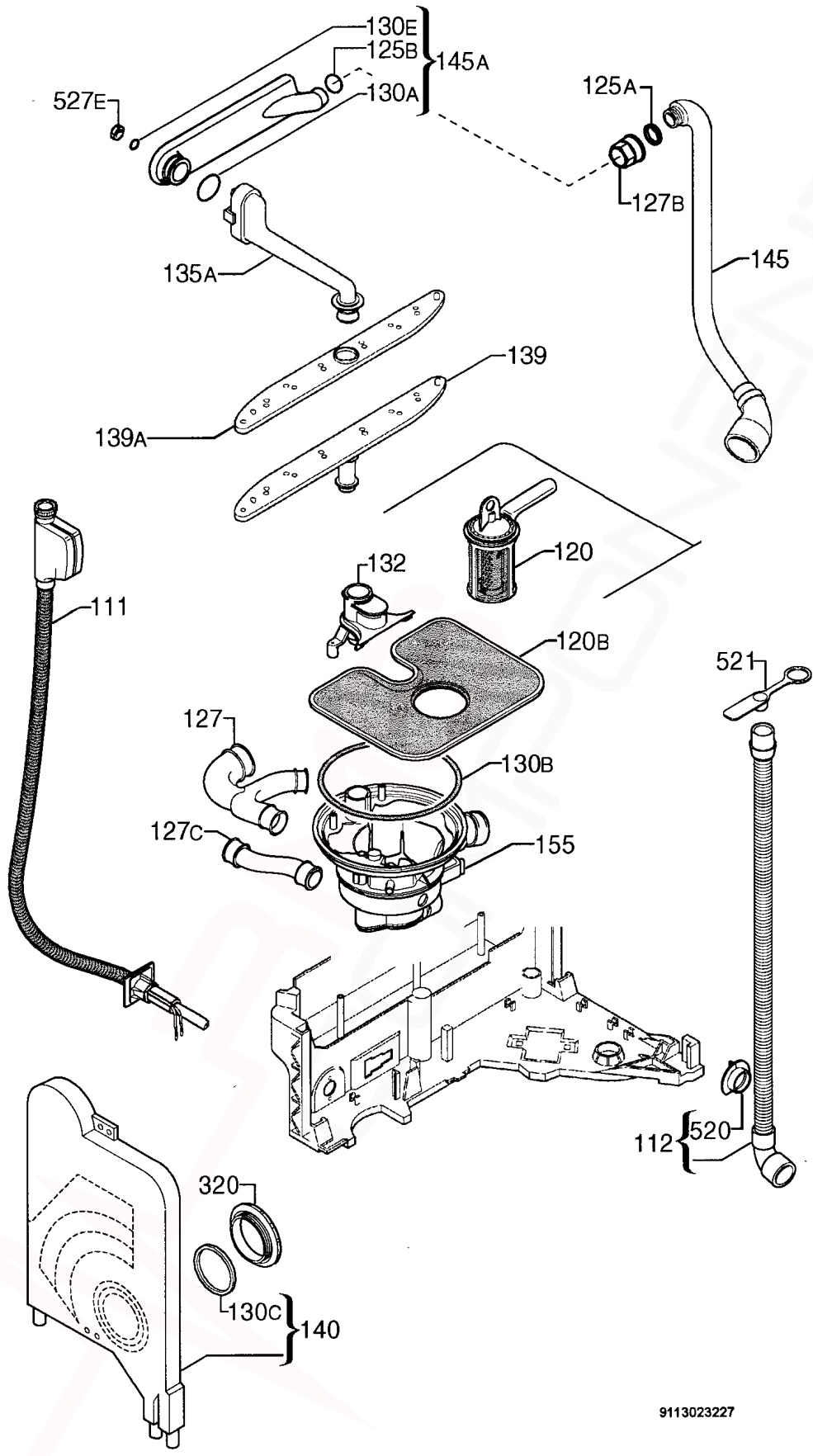
9113020093

ITEM	PART NUMBER	DESCRIPTION Ex. 5584	QTY
110B	1527937-01/3	Tube, Drying, L=680	1
130A	1524445-01/0	Sealing Sleeve, Outer, L=1730	1
135	1527756-00/9	Air Guide, ACTIV DRYING	1
260	1526642-02/8	Spring, Hinge	2
301	1526298-03/7	Bottom, Cabinet	1
308	50286437-00/4	Kit, Door Hinge, Right-Left, DIVA-45/60	2
322A	1526299-02/7	Crossbar, Back, Upper	1
322B	1527256-10/9	Crossbar, Front, Bottom	1
326	1526790-01/7	Side Panel, Left, White	1
326A	1526790-11/6	Side Panel, Right, White	1
330	1526617-02/0	Adjustable Foot, Front	2
330A	1526994-00/7	Adjustable Foot, Central	1
335	1527142-00/2	Cog Wheel	1
344	1522344-05/8	Latch	1
505	1526715-01/4	Trimming, Tub, Cabinet	1
505A	1522222-40/3	Trimming, Side, L=592	1
521D	1526576-00/2	Hole Cover, Latch	1
523	50282756-00/1	Wheel Support Kit, Dark Grey, 4 Pcs.	4
523B	1521220-03/6	Re-Enforcement, Bracket	4
523C	1526315-03/9	Foot Support, Front, Left	1
523C	1526315-13/8	Foot Support, Front, Right	1
531	1523262-21/8	Adjusting Screw, Leg, Central	1
541	1526417-00/9	Hose Clamp	1
550B	1522345-03/0	Wiring Protection	1
552	1520512-05/2	Rail Basket, Upper	2
552D	1523698-04/9	Guidance, Foot, Central	1
567	1523236-03/0	Plaque	1
580	1526314-05/7	Door Lock, Front, Bottom, DIVA/60	1
597	1520479-20/3	Stopper, Front, Dark Grey	2
597A	8996461234-05/7	Stopper, Back, Dark Grey	2



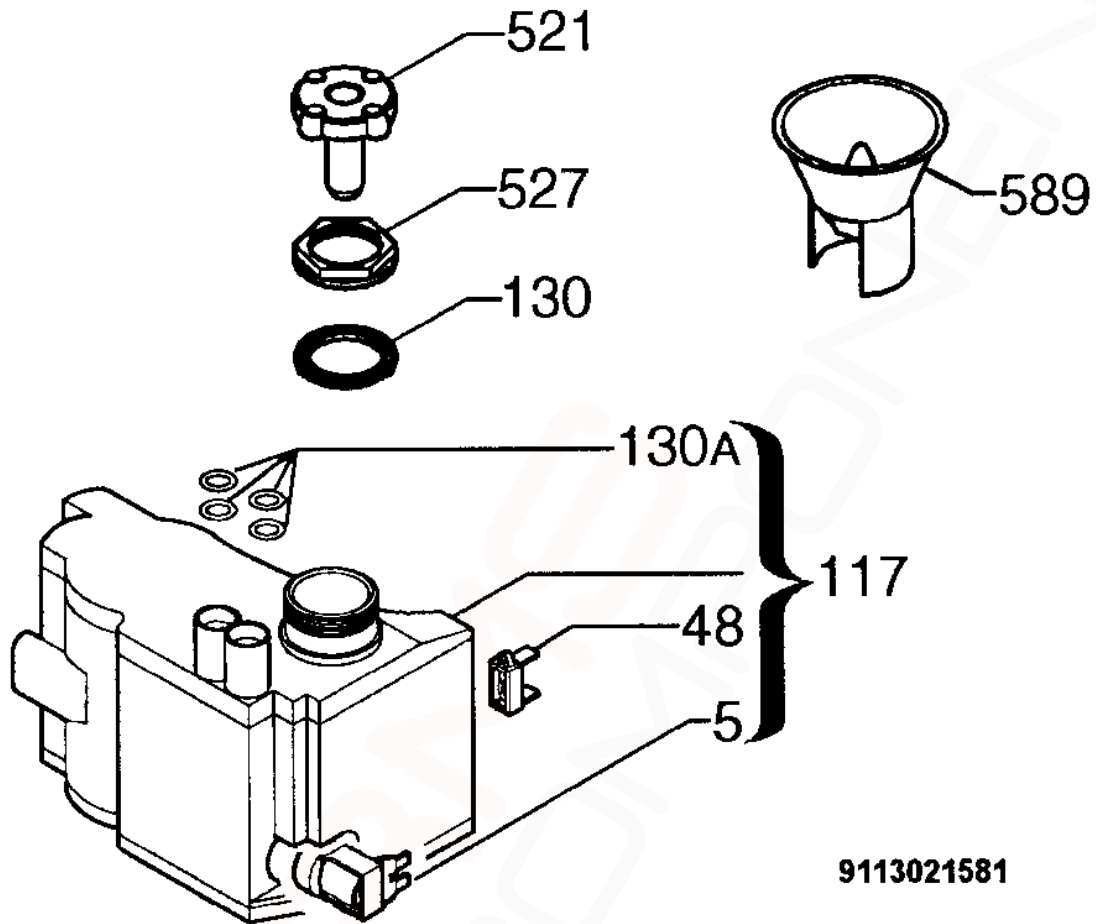
9113023520

ITEM	PART NUMBER	DESCRIPTION Ex. 5583	QTY
6	50285543-00/0	Washing Motor, Tachometric	1
6A	50286272-00/5	Drain Pump,50Hz	1
7A	1520393-11/5	Micro Switch, Anti Overflow	1
10	50280071-00/7	Heater, 230V/2000W-D.32mm.	1
11	1526356-11/6	Capacitor	1
11B	1526204-02/7	Interference Suppressor	1
12	1526370-02/6	Pressure Switch, Level, 65/45	1
12A	1526370-14/1	Pressure Switch, Safety, 123/98	1
13	1527532-00/4	Push Button Board, 1 Button	1
48	1115912-06/3	Temperature Sensor	1
110C	1526510-01/9	Hose, Pressure Switch, Safety, L=280	1
110D	1526510-11/8	Hose, Pressure Switch, Level, L=300	1
118	50285882-00/2	Kit, Dispenser, Detergent	1
130	1118535-03/6	Sealing Sleeve, Temperature Sensor	1
137	1526761-01/8	Float	1
521	1526601-11/5	Cap Button Push PCB, Black	1
523	1520169-06/9	Support, Float	1
523B	1526412-00/0	Holder, Pressure Switch	1
523C	1520645-01/9	Push Button Holder	1
550C	8996461234-30/5	Cover Cap	1
567	1118709-01/1	Rubber Damper, Circulation Pump	1
587	973911935221003	PCB, Configured, EDW1003	1
NI	1526453-31/9	Power Cable, Australia	1



9113023227

ITEM	PART NUMBER	DESCRIPTION Ex. 5585	QTY
111	1526443-03/9	Inlet Hose, Water Block, L=1500	1
112	1526492-01/0	Outlet Tube, Complete, L=1930	1
120	1526612-02/1	Drain Filter, Complete	1
120B	1524360-00/3	Filter, Inox	1
125A	50282650-00/6	O-Ring, Manifold, Outer	1
125B	50227938-00/3	O-Ring, Manifold, Inner	1
127	1118796-00/0	Pipe Union, Y---D= 32mm.	1
127B	1523118-20/4	Pipe Union, Manifold, Dark Grey	1
127C	1526716-01/2	Pipe Union, Decalcifier, Sump	1
130A	1523119-01/2	Seal, Channel Drainage	1
130B	8996461217-70/6	O-Ring, Sump	1
130C	50659231-00/0	Round Seal, Container Cup	1
130E	1522802-00/6	Sealing Strip	1
132	1118495-90/0	Column, Support, Lower Spray Arm	1
135A	50281041-00/9	Channel Drainage, Grey, Complete, DIVA 45/60	1
139	1526523-00/4	Lower Spray Arm, Light Grey, DIVA/60	1
139A	1526520-03/4	Spray Arm, Upper, Grey	1
140	1526296-13/0	Container Cup, Small, Electronic	1
145	1528059-00/7	Manifold, Outer, D= 32mm.	1
145A	1526386-20/4	Manifold, Horizontal, Dark Grey, DIVA/60	1
155	1527957-00/3	Sump, Pipe Union, Complete, DIVA/60	1
320	1526272-10/7	Grill, Vapour Outlet, Dark Grey	1
520	1526862-00/6	Flange, Discharge Pipe	1
521	1527389-00/9	Stopper, Drainage Hose	1
527E	50286080-00/2	Nut, Water Distributor	1

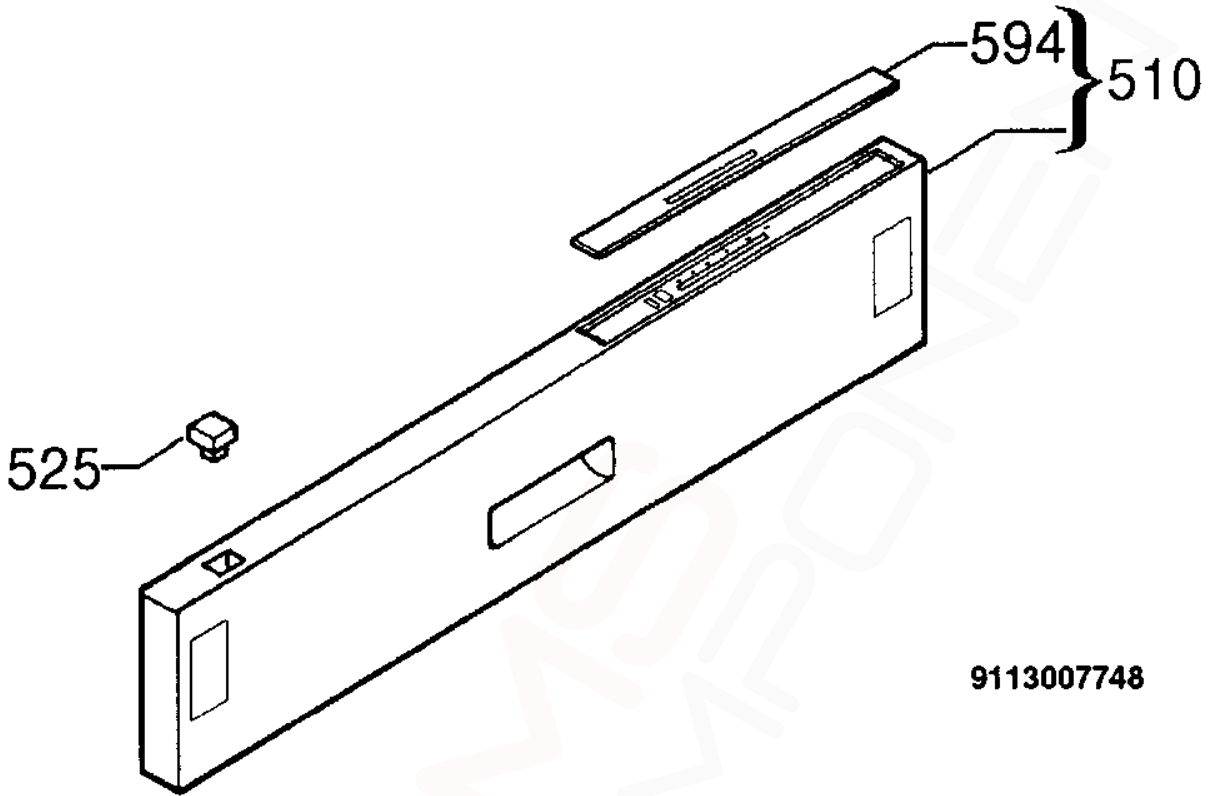


9113021581

ITEM	PART NUMBER	DESCRIPTION Ex. 5586	QTY
5	1528765-01/7	Regeneration Electric Valve, Water Softener, BITRON	1
5	1528875-01/4	Regeneration Electric Valve, Decalcifier, T&P	1
48	1528882-01/0	Salt Sensor, Decalcifier, T&P	1
48	1528766-00/7	Salt Sensor, Decalcifier, BITRON	1
117	50286081-00/0	Decalcifier	1
130	1521128-10/6	Gasket, Decalcifier	1
130A	1526505-00/1	Grommet, Decalcifier	4
521	1526411-00/2	Stopples, Decalcifier	1
527	1526449-10/1	Ring Nut, Decalcifier, Dark Grey	1
589	1520328-40/0	Funnel, Grey	1

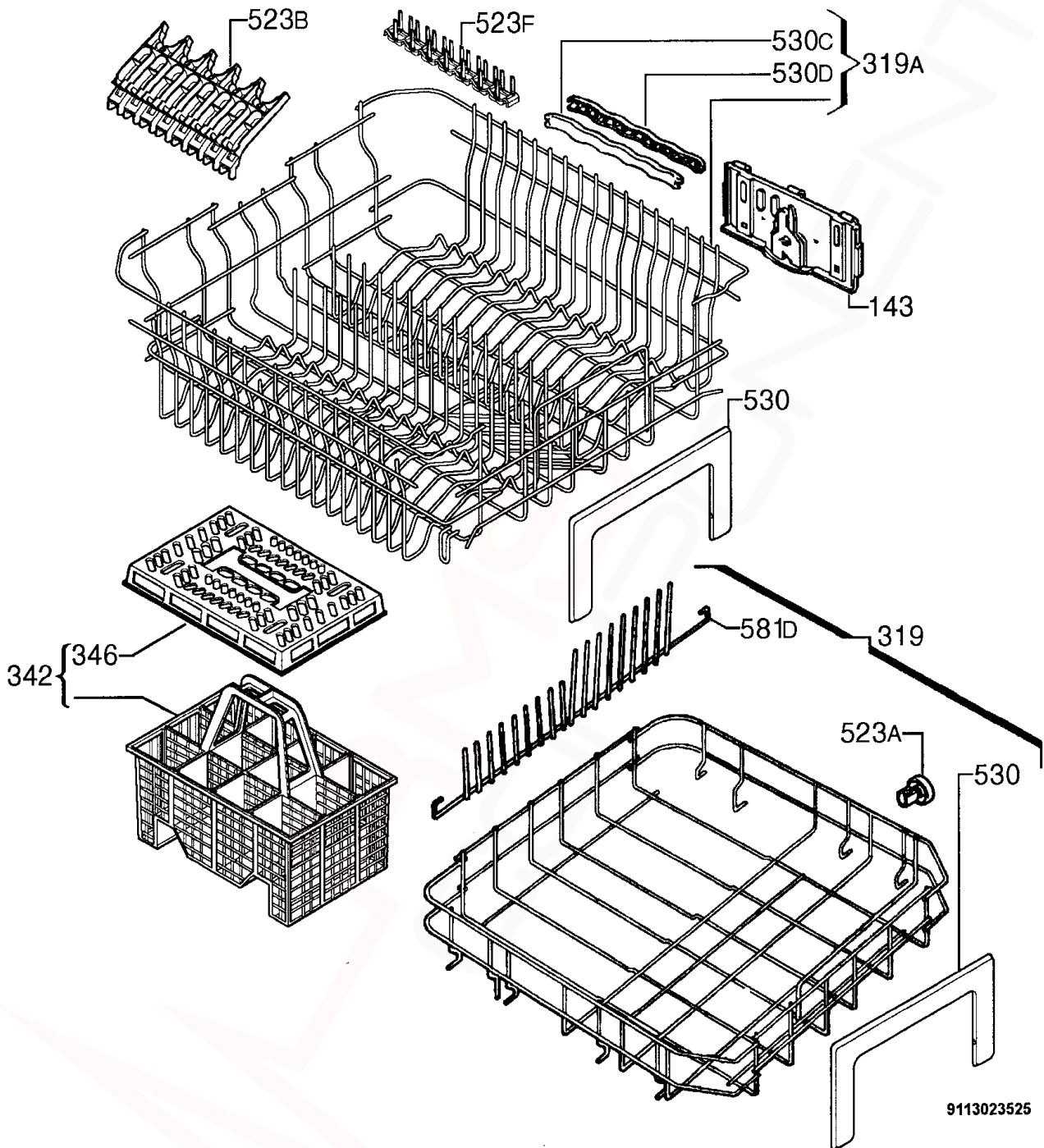
MODEL: ESL6143

EX. VIEW DRAWING 5581
CONTROL PANEL ASSEMBLY



9113007748

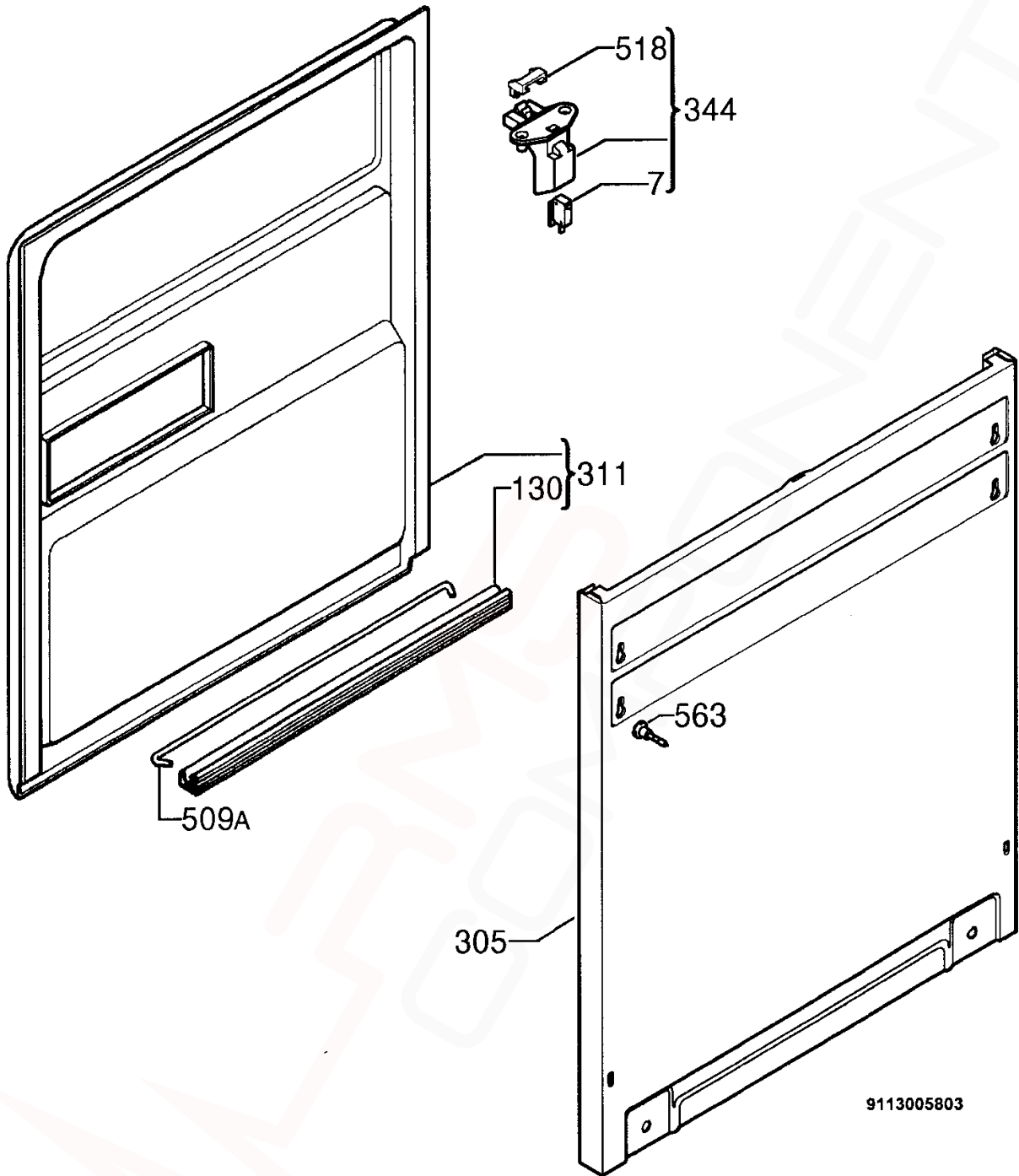
ITEM	PART NUMBER	DESCRIPTION Ex. 5581	QTY
510	1528690-71/0	Front Panel, Silk Screened, Complete	1
525	1521064-00/4	Push Button, White	1
594	1529009-00/1	Indicating Glass, Control Panel, Silk Screened	1



ITEM	PART NUMBER	DESCRIPTION Ex. 5580	QTY
143	1527359-30/9	Adjustment, right, dark grey, QUICK LIFT	1
143	1527359-40/8	Adjustment, left, dark grey, QUICK LIFT	1
319	1529703-31/4	Dishwasher basket, bottom, grey, DIVA-60	1
319A	1529658-70/8	Dishwasher basket, upper, grey	1
342	1118228-00/4	Cutlery basket, grey, complete	1
346	1118227-00/6	Grating, Cutlery basket, grey	1
523A	50286965-00/4	Wheel kit, 8 pcs., dark grey, DIVA45/60	8
523B	1527713-12/5	Support, cup, grey	4
523F	1528354-10/1	Support, measure cup, silver	1
530	1170082-01/8	Handle, dishwasher basket, silver	1
530C	1523108-40/3	Handle, inner, silver	1
530D	1523107-40/5	Handle, outer, silver	1
581D	1527092-01/7	Partition, back, grey	1
581D	1527092-21/5	Partition, back, grey	1

MODEL: ESL6143

EX. VIEW DRAWING 5582
DOOR ASSEMBLY



9113005803

ITEM	PART NUMBER	DESCRIPTION Ex. 5582	QTY
7	50253835-00/8	Micro Switch, Door	1
130	1527401-00/2	Door Gasket, Bottom, Black, L=550	1
305	1524571-08/8	Door, White, Integrated, LS60/IT-520x588	1
311	50281303-00/3	Inner Door, Complete, DIVA/60	1
344	1526377-03/9	Latch, Bridging Plug, Complete	1
509A	1520419-14/2	Tie, Hinge	1
518	1526414-02/2	Bridging Plug	1
563	50253377-00/1	Kit, Peg, Door Panel, 2 Pz.	2