



ELECTROLUX HOME PRODUCTS PTY LTD
ABN 51 004 762 341

Technical Publication N° DW256

Issue: 2
Date: 09/17

WEB SITE ADDRESS: www.partnship.com.au

ELECTROLUX

ELECTRONIC DISHWASHER

**TO BE USED IN CONJUNCTION WITH
*CIRCUIT and WIRING DIAGRAM PUBLICATION - DW230.***

MODEL:

**ESL6143
PNC 911935221 01**

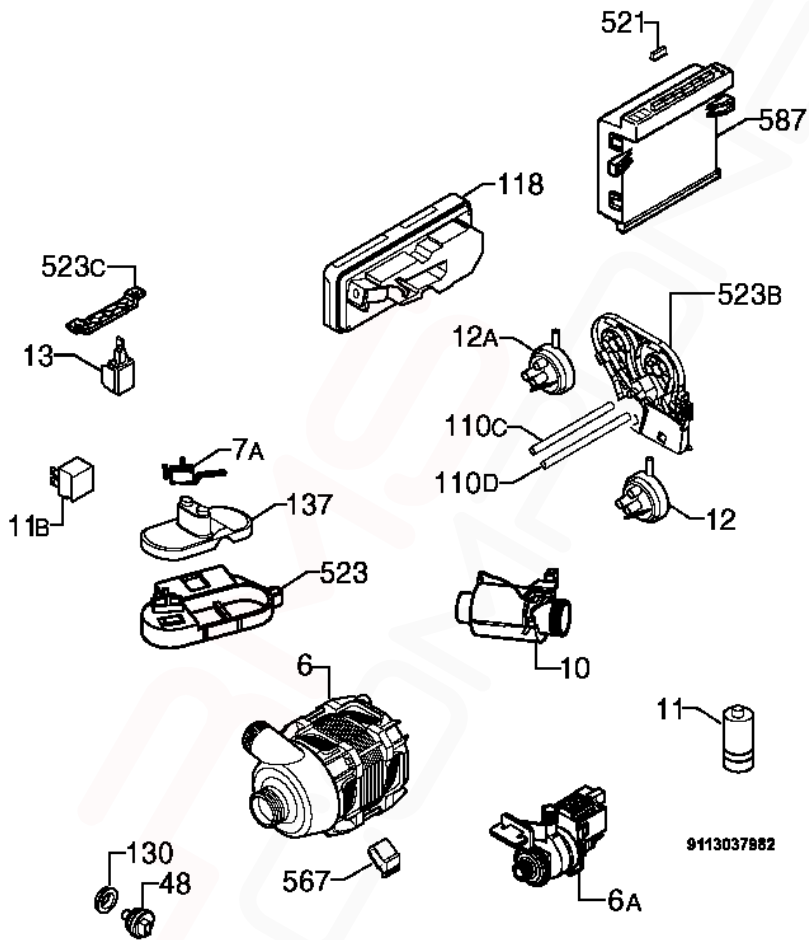
VARIANT CHANGE SUMMARY	
-------------------------------	--

01	Door Seal, Air Guide, Door Lock, P1 & P2 Pressure Switch, Pressure Sw Tubes, Mount Pressure Sw,PCB, Wash Motor, Crain Pump, Capacitor, Microswitch Door, Basket Rail, Bskt Stop Front, Side Panels.
-----------	---

First Built Dates:	
---------------------------	--

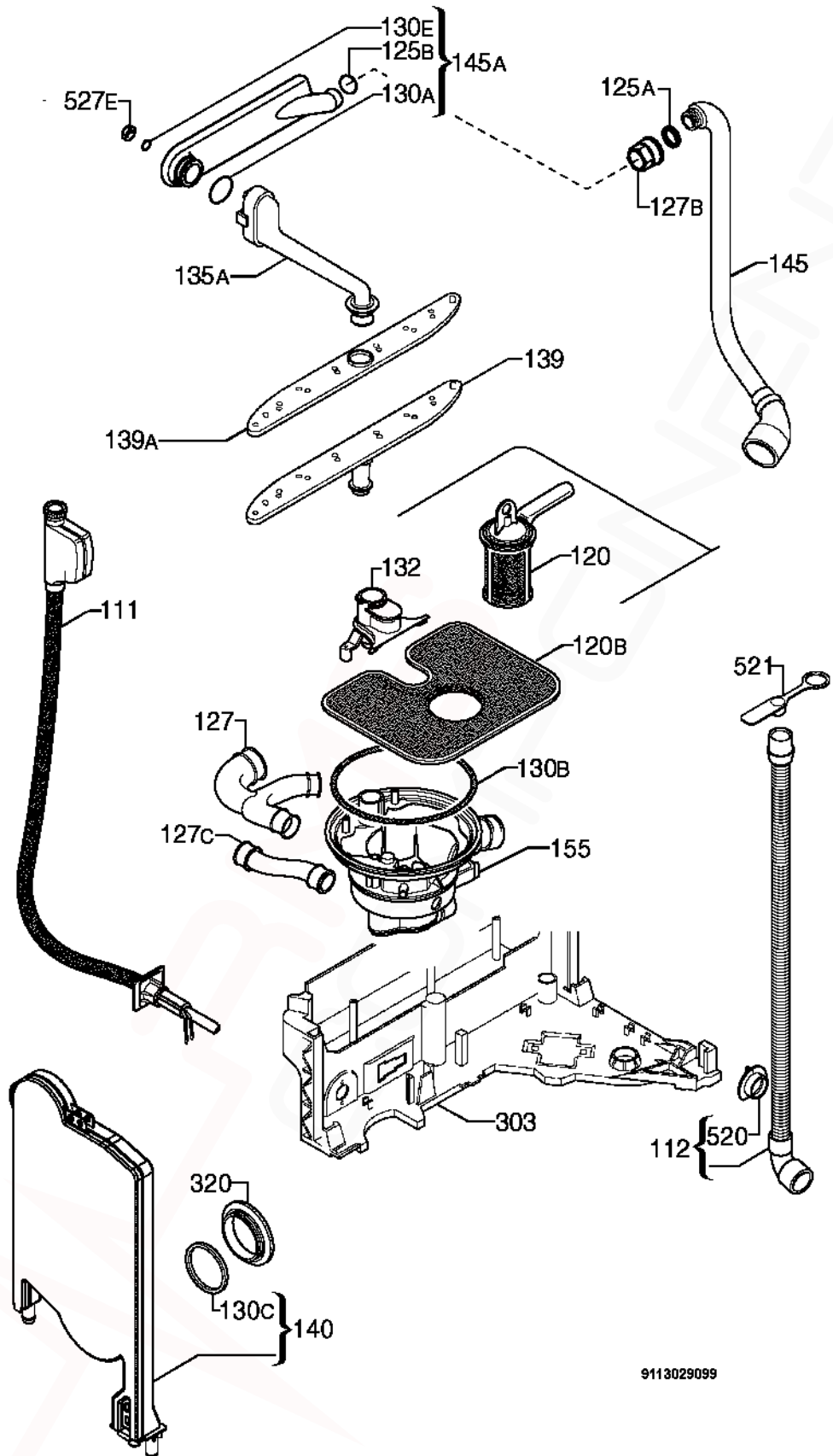
ESL6143 / 911935221 01	17/09/2007
------------------------	------------

ITEM	PART N°	DESCRIPTION Ex. 9113029285	QTY
110B	1527937-01/3	Tube Drying x 680mm Long	1
130A	1171265-00/0	Sealing Outer x 1730mm Long	1
135	1171458-10/0	Air Guide - Active Drying	1
150	N.P.A.	Tub	-
260	1526642-02/8	Spring Hinge	2
301	1526298-07/8	Bottom Cabinet	1
308	50286437-00/4	Kit Door Hinge Right-Left	1
322	1525280-33/3	Crossbar Front Upper	1
322A	1170350-01/9	Crossbar Back Upper	1
322B	1527256-10/9	Crossbar Front Bottom	1
326	1526790-04/1	Side Panel Left White	1
326A	1526790-14/0	Side Panel Right White	1
330	1526617-02/0	Adjustable Foot Front	2
330A	1526994-00/7	Adjustable Foot Central	1
335	1527142-00/2	Cog Wheel	1
344	1522344-05/8	Latch	1
505	1526715-01/4	Trimming Tub White x 1710mm Long	1
505A	1522222-20/5	Trimming Side x 623mm Long	2
521D	1526576-00/2	Hole Cover Latch	1
523	50289087-00/4	Wheel Support Kit Dark Grey (4 Pieces)	1
523B	1521220-10/1	Stiffening Holder Roller	4
523C	1526315-03/9	Foot Support Front Left	1
523C	1526315-13/8	Foot Support Front Right	1
531	1170685-00/0	Adjusting Screw Foot Central	1
541	1526417-00/9	Hose Clamp	1
550	50290435-00/2	Protection Front Upper	1
550B	1522345-03/0	Wiring Protection	1
552	1170542-00/3	Rail Basket Upper	2
552D	1523698-06/4	Guidance Rail Foot Central	1
567	1523236-03/0	Plaque (Speed Clip)	1
580	1526314-06/5	Door Lock Front Bottom	1
586	1170209-00/9	Fixing Bracket Top	2
597	1520479-30/2	Basket Stop Front Dark Grey	2
597A	8996461234-05/7	Stopper Back Dark Grey	2
N.I.	50282092-00/1	Fixing Clip Stud (4 Pieces)	1



9113037982

ITEM	PART N°	Description	Ex. 9113037982	QTY
6	1111468-12/8	Washing Motor Tachometric		1
6A	50293177-00/7	Drain Pump 50Hz		1
7A	1520393-11/5	Microswitch Anti-Overflow		1
10	50297618-00/6	Heater 230V/2000W Ø32mm		1
11	50287485-00/2	Running Capacitor Shank		1
11B	0144400042	Interference Suppressor		1
12	1526370-03/4	Pressure Switch Level 65/45		1
12A	1526370-14/1	Pressure Switch Safety 123/98		1
13	1527532-00/4	Push Button Board (1 Button)		1
48	1115912-06/3	Temperature Sensor NTC		1
110C	1170450-40/5	Tube Pressure Switch Safety x 515 Long		1
110D	1170450-51/2	Tube Pressure Switch Level x 525 Long		1
118	50285882-00/2	Kit Dispenser Detergent		1
130	0208400152	Sealing Sleeve Temperature Sensor		1
137	1526761-01/8	Float		1
521	1526601-11/5	Cap Button Push PCB, Black		1
523	1520169-06/9	Support Float		1
523B	1170351-00/9	Mount Pressure Switch		1
523C	1520645-01/9	Push Button Holder		1
567	0253400025	Rubber Damper Circulation Pump		1
587	973911935221011	Configured Electronic EDW1003		1
N.I.	1170862-31/0	Power Cable AUS/NZ		1
N.I.	1528938-13/5	Harness		1

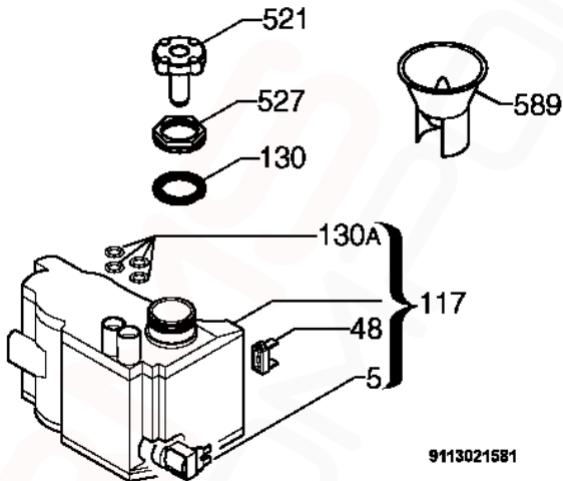


ITEM	PART N°	Description	Ex. 9113029099	QTY
111	1526443-04/7	Inlet Hose Water Block x 1500mm Long		1
112	1526492-01/0	Outlet Tube Complete x 1930mm Long		1
120	1526612-02/1	Drain Filter Complete		1
120B	1524360-00/3	Filter Inox		1
125A	50282650-00/6	O-Ring Manifold Outer		1
125B	50227938-00/3	O-Ring Manifold Inner		1
127	1118796-00/0	Pipe Union Y Ø32mm		1
127B	1523118-20/4	Pipe Union Manifold Dark Grey		1
127C	1526716-01/2	Pipe Union Decalcifier Sump		1
130A	1523119-01/2	Seal Channel Drainage		1
130B	8996461217706	O-Ring Sump		1
130C	50659231-00/0	Round Seal Container Cup		1
130E	1522802-00/6	Sealing Strip		1
132	0012400051	Column Support Lower Spray Arm		1
135A	50281041-00/9	Channel Drainage Grey Complete		1
139	1526523-00/4	Lower Spray Arm Light Grey		1
139A	1526520-03/4	Spray Arm Upper Grey		1
140	1170481-00/4	Container Cup Small Electronic		1
145	1528059-00/7	Manifold Outer Ø32mm		1
145A	1526386-20/4	Manifold Horizontal Dark Grey		1
155	1527957-00/3	Sump Pipe Union Complete		1
303	1526292-09/7	Basement		1
320	1526272-10/7	Grill Vapour Outlet Dark Grey		1
520	1526862-00/6	Flange Discharge Pipe		1
521	1527389-00/9	Stopper Drainage Hose		1
527E	50286080-00/2	Nut Water Distributor		1

If a Customer needs to extend their Drain Hose, order the following components:
0571400142 Hose Drain (2M length), 0182200002 Ferrule Hose Joiner (19mm)
and 2 x 0005001019 Clamp.

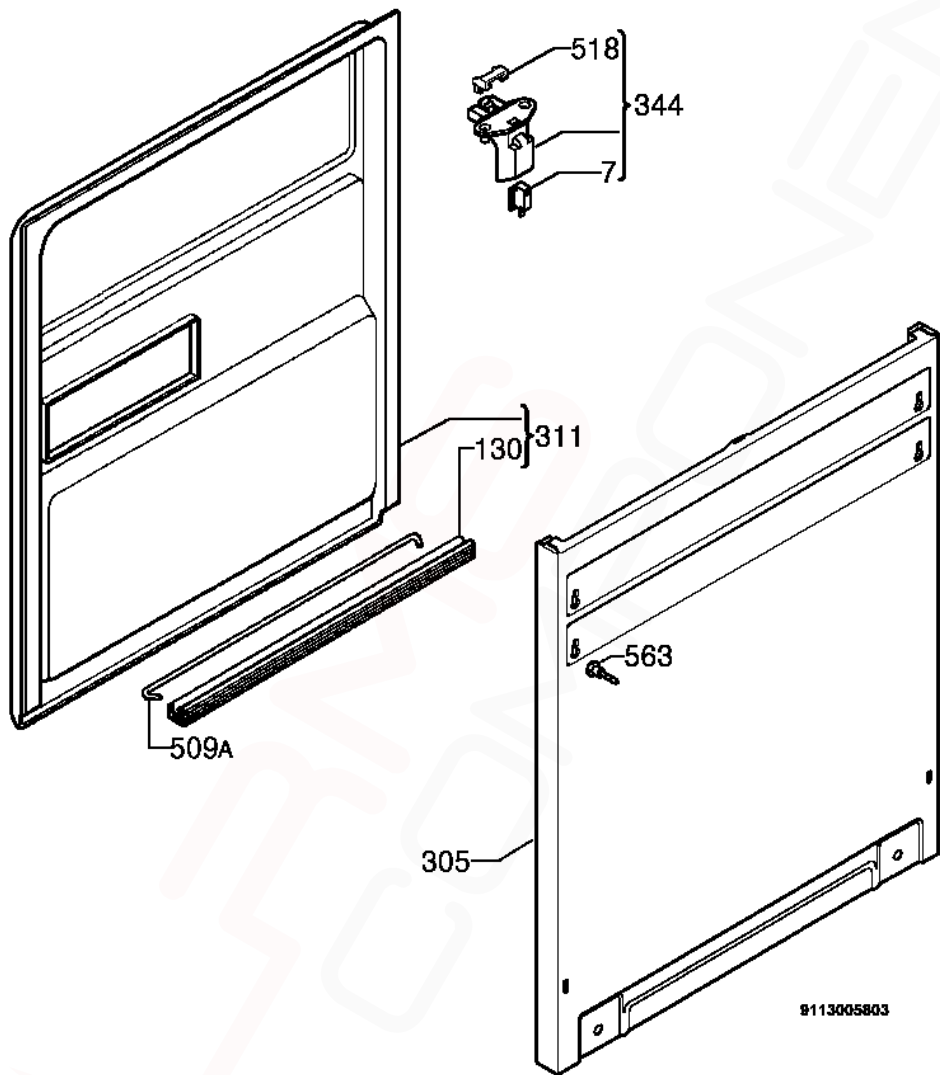
For extensions less than 2 metres, use ES5323K Kit Hose Flex Drain (1M)

NOTE: Total Drain Hose length must not exceed 4 metres.



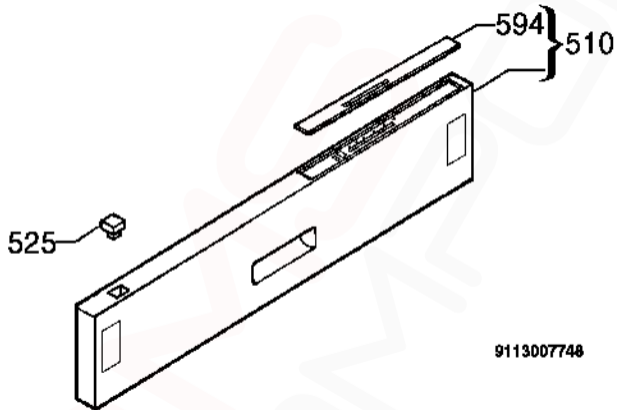
9113021581

ITEM	PART N°	DESCRIPTION Ex. 9113021581	QTY
5	1528765-01/7	Regeneration Electric Valve Water Softener BITRON	1
48	1528882-01/0	Salt Sensor Decalcifier T&P	1
117	50286081-00/0	Decalcifier	1
130	1521128-10/6	Gasket Decalcifier	1
130A	1526505-00/1	Grommet Decalcifier	1
521	1526411-00/2	Stoppie Decalcifier	1
527	1526449-10/1	Ring Nut Decalcifier Dark Grey	1
589	1520328-40/0	Funnel Dishwasher Salt Grey	1



9113005803

ITEM	PART N°	DESCRIPTION	Ex. 9113005803	QTY
7	50287927-00/3	Microswitch Door		1
130	1527401-00/2	Door Gasket Bottom Black x 550mm		1
305	1526822-01/8	Door White Integrated		1
311	50281303-00/3	Inner Door Complete		1
344	1526377-07/0	Latch Bridging Plug Complete		1
509A	1520419-14/2	Tie Hinge		1
518	1526414-02/2	Bridge Door Lock		1
563	50290016-00/0	Kit Peg Door Panel		1
N.I.	1170632-02/8	Template		1



9113007748

9113007748

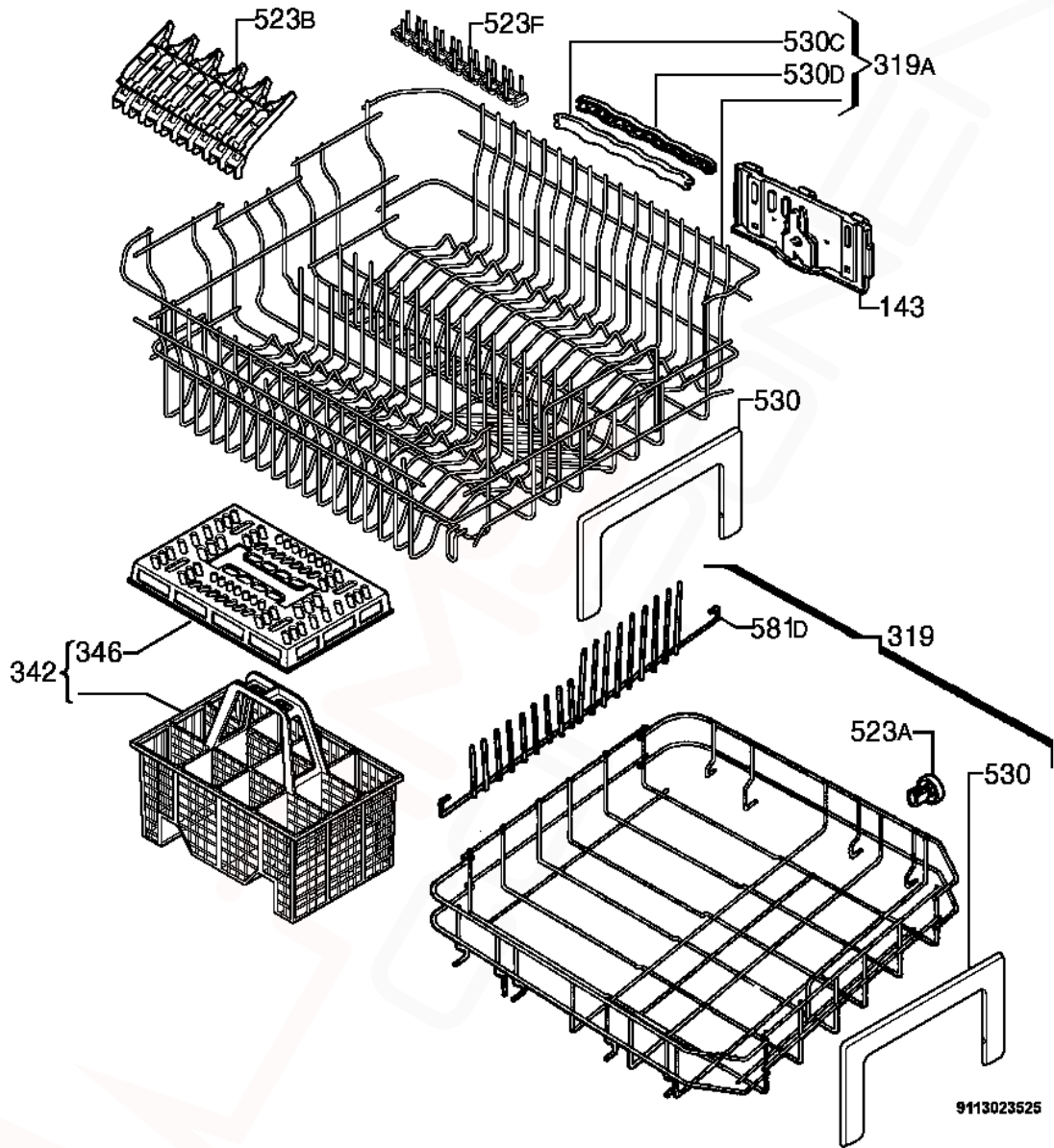
MODEL:ESL6143

PNC 911935221 01

EX. VIEW 9113007748

PANEL CONTROL

ITEM	PART N°	DESCRIPTION	Ex. 9113007748	QTY
510	1528690-71/0	Control Panel Silkscreened Complete		1
525	1521064-00/4	Push Button White		1
594	1528690-71/0	Indicating Glass Control Panel Silkscreened		1



ITEM	PART N°	Description	Ex. 9113023525	QTY
143	1527359-30/9	Adjustment Right Dark Grey QUICK LIFT		1
	1527359-40/8	Adjustment Left Dark Grey QUICK LIFT		1
319	1529703-31/4	Dishwasher Basket Bottom Grey		1
319A	1529658-70/8	Dishwasher Basket Upper Grey		1
342	1118228-00/4	Cutlery Basket Light Grey Complete		1
346	1118227-00/6	Grating Cutlery Basket Grey		1
523A	50286965-00/4	Wheel Kit Dark Grey (8 Pieces)		1
523B	1527713-13/3	Holder Cup Grey		4
523F	1528354-10/1	Support Measure Cup Silver		1
530	1170082-01/8	Handle Dishwasher Basket Silver		2
530C	1523108-40/3	Handle Inner Silver		2
530D	1523107-40/5	Handle Outer Silver		2
581D	1527092-01/7	Partition Back Rear		2
	1527092-21/5	Partition Back Front		2