



ELECTROLUX HOME PRODUCTS PTY LTD

ABN 51 004 762 341

PRINT POST APPROVED PP565001/00099

Technical Publication N° DW108 Book WD 6

Issue: 1

Date: 8/03

WEB SITE ADDRESS: www.partnship.com.au

ELECTROLUX

DISHWASHER

SECTION	PAGE N°
OUTER PANEL & LINER ASSEMBLY	2 - 3
ELECTRICAL ASSEMBLY	4 - 5
WATER CIRCUIT ASSEMBLY	6 - 7
WATER SOFTENER ASSEMBLY	8 - 9
CONTROL PANEL & DOOR ASSEMBLY	10 - 11
BASKET ASSEMBLY	12 - 23
PROGRAMME CHART	14
WIRING DIAGRAM	15
CIRCUIT DIAGRAM	16

RELEASE DATE:- 10/02

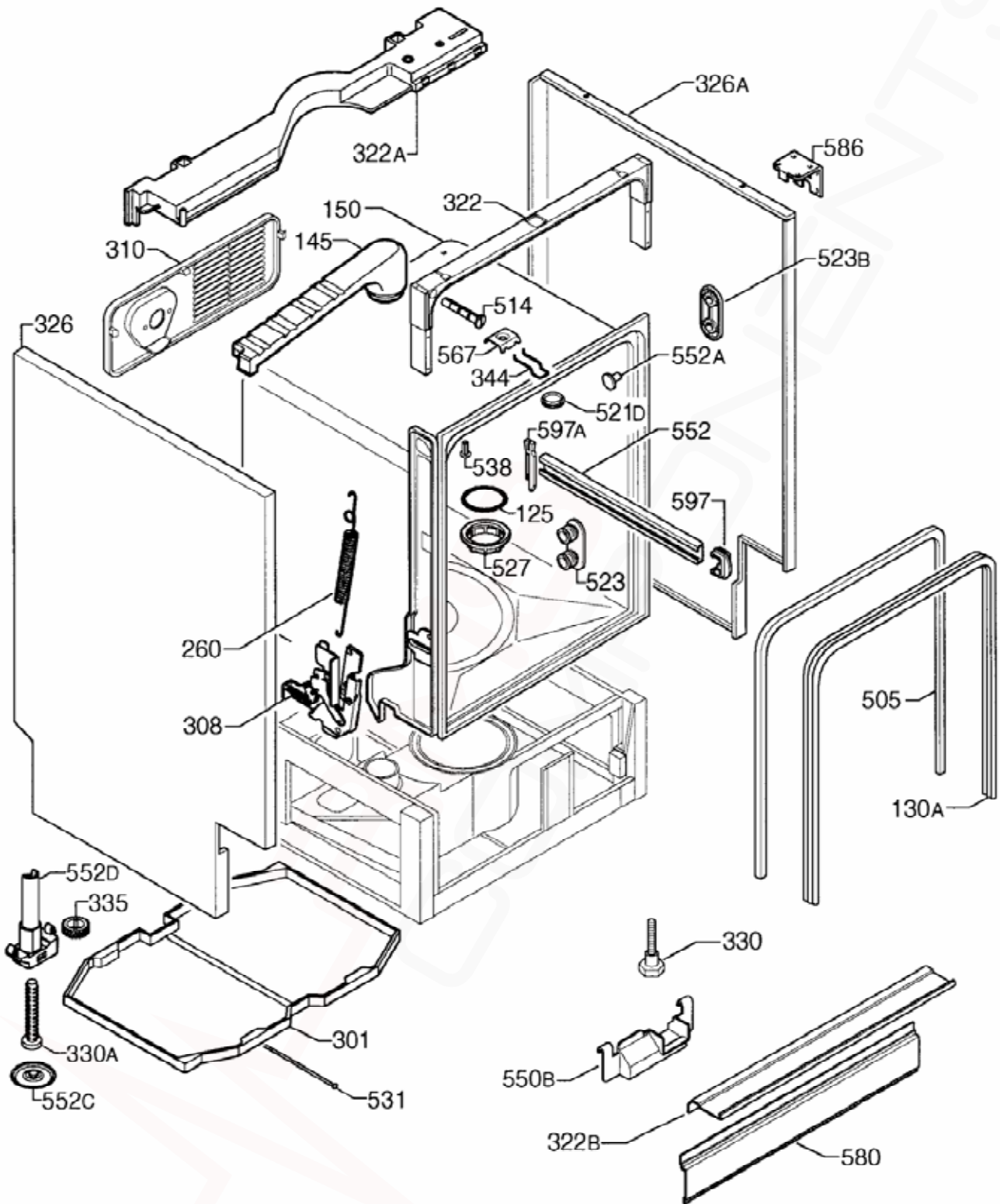
MODEL:

ESL6100

PNC 911 892 040

MODEL: ESL6100

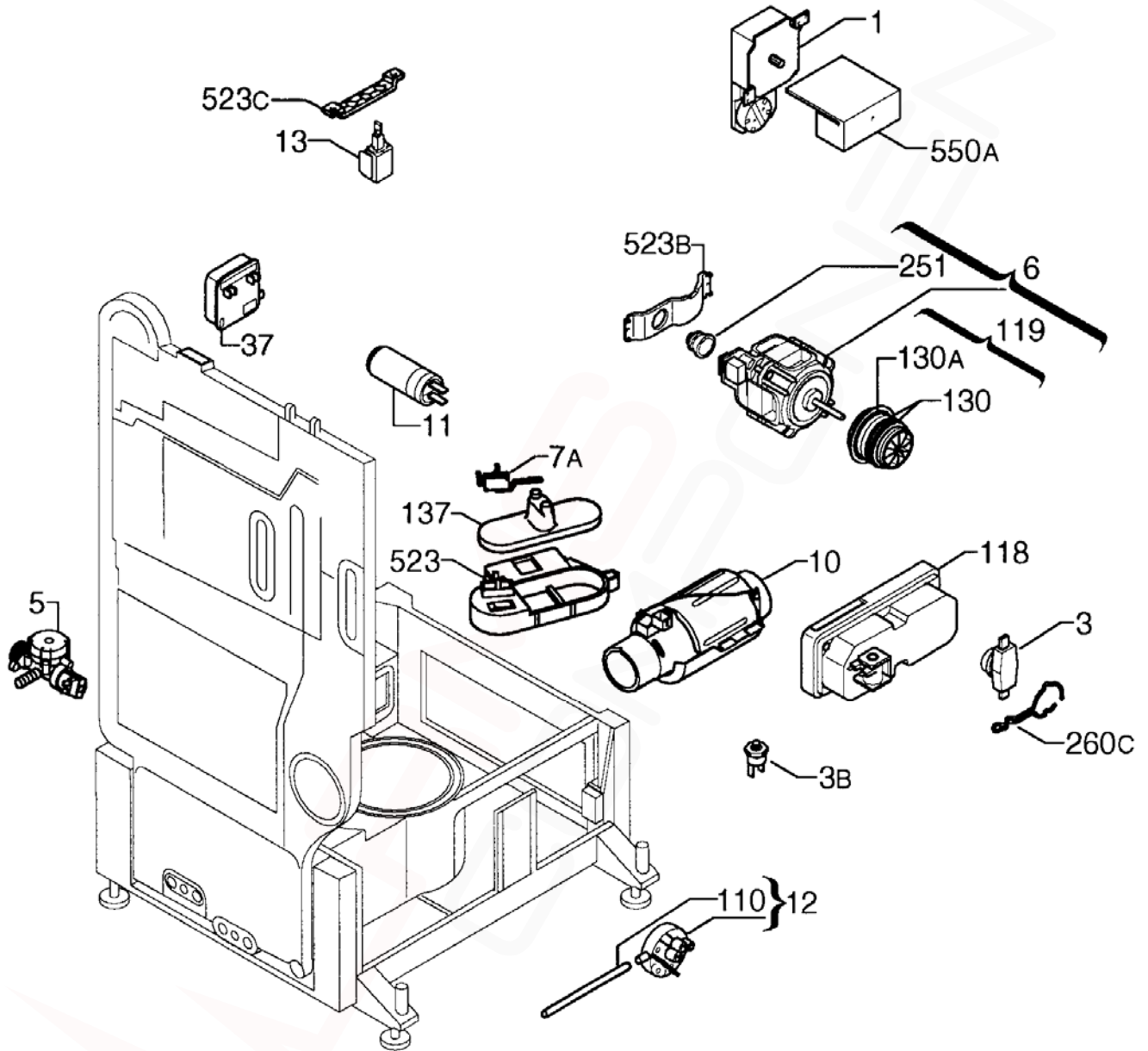
EX. VIEW DRAWING 3901
OUTER PANEL & LINER
ASSEMBLY



ITEM	PART N°	DESCRIPTION Ex. 3901	QTY
125	50249145-00/9	"O" Ring, Ferrule, Manifold	1
130A	1524445-01/0	Sealing Sleeve, Outer	1
145	1523697-02/5	Manifold, Steam	1
150	N.P.N.	Liner Assembly	1
260	1524312-00/4	Spring, Hinge, Normal	2
301	1523673-01/8	Tray, Drip	1
308	50251714-00/7	Hinge Kit, Door (LH/RH.)	2
310	1526379-00/1	Flap, Support, Solenoid	1
322	1525280-16/8	Crossbar, Front, Upper	1
322A	1523519-15/3	Crossbar, Back, Upper,	1
322B	1523512-04/2	Crossbar, Front, Bottom	1
326	1526790-00/9	Panel, Side, LH. (White)	1
326A	1526790-10/8	Panel, Side, RH. (White)	1
330	1522017019	Foot	2
330A	1523477-01/4	Leg, Central	1
335	1523261-00/4	Gear Wheel	1
344	1522344-05/8	Latch	1
505	1522337-02/9	Trimming, Tub/Cabinet	1
514	1522520-03/8	Socket, Adjustable	1
521D	1526576-00/2	Cover, Latch Hole	1
523	1522029-12/1	Bracket and Roller Assembly (Grey)	4
523B	1521220-03/6	Bracket, Re-Enforcement, Roller	4
527	1523520-10/2	Ferrule (Grey)	1
531	1523262-11/9	Screw Adjusting, Central Foot	1
538	1522335-01/5	Piece, Distance, Crosspiece, Rear	1
550B	1522345-03/0	Protection, Wiring	1
552	1520512-05/2	Rail, Basket, Upper	2
552A	1525272-21/5	Guidance, Inner Door (Grey)	2
552C	1523242-00/4	Pad, Slide, Leg	1
552D	1523777-01/7	Guide Rail, Central Foot	1
567	1523236-02/2	Clamp, Door Latch (Plaque)	1
580	1523513-04/0	Panel, Front, Bottom	1
586	1523160-13/1	Bracket, Fixing (Top)	2
597	1520479-10/4	Cap, Rail End (Grey)	2
597A	1525376-20/6	Stop, Rail End (Grey)	2
N.I.	1525001-00/2	Cover Sheet	1

MODEL: ESL6100

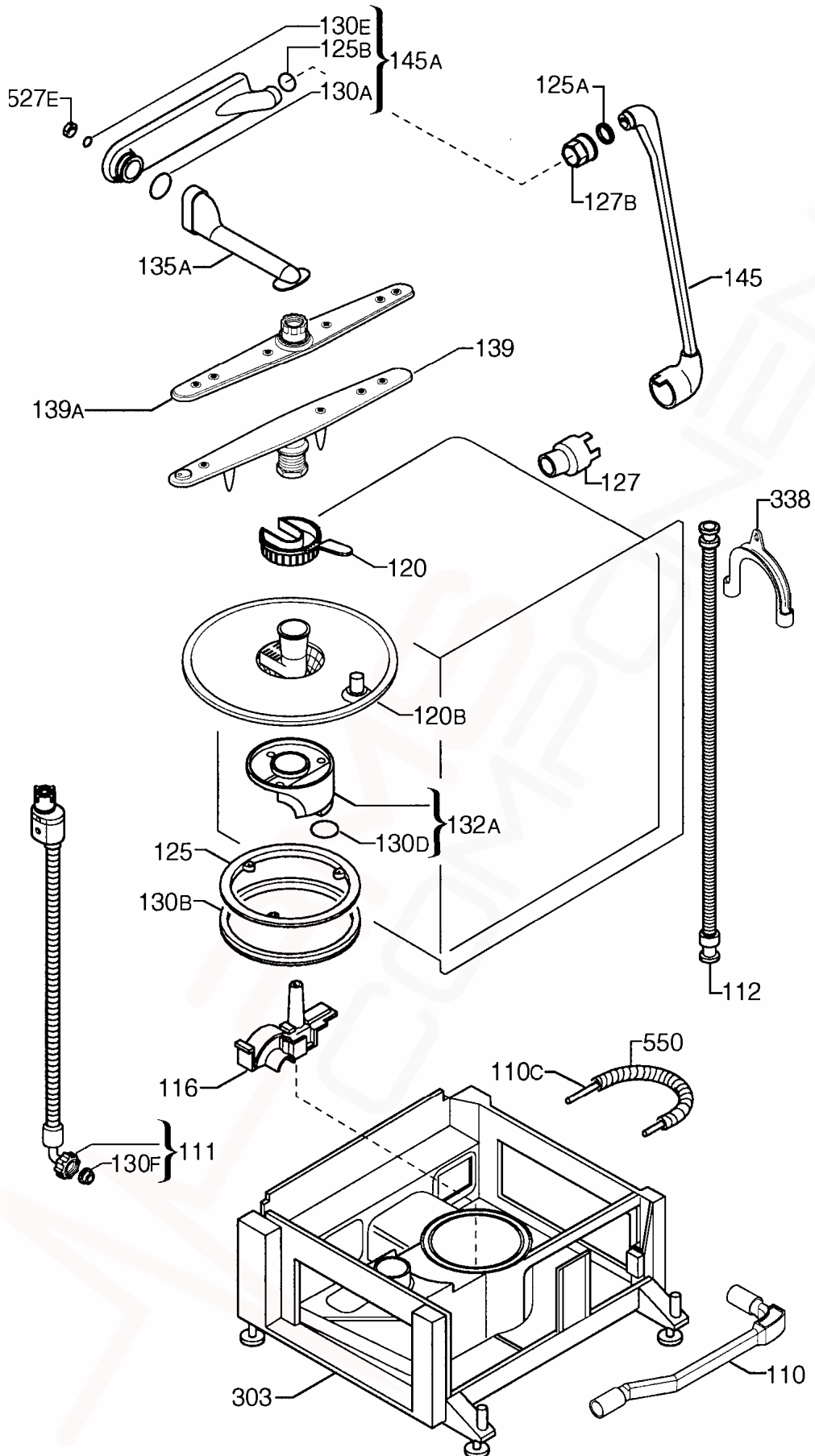
EX. VIEW DRAWING 3940
ELECTRICAL ASSEMBLY



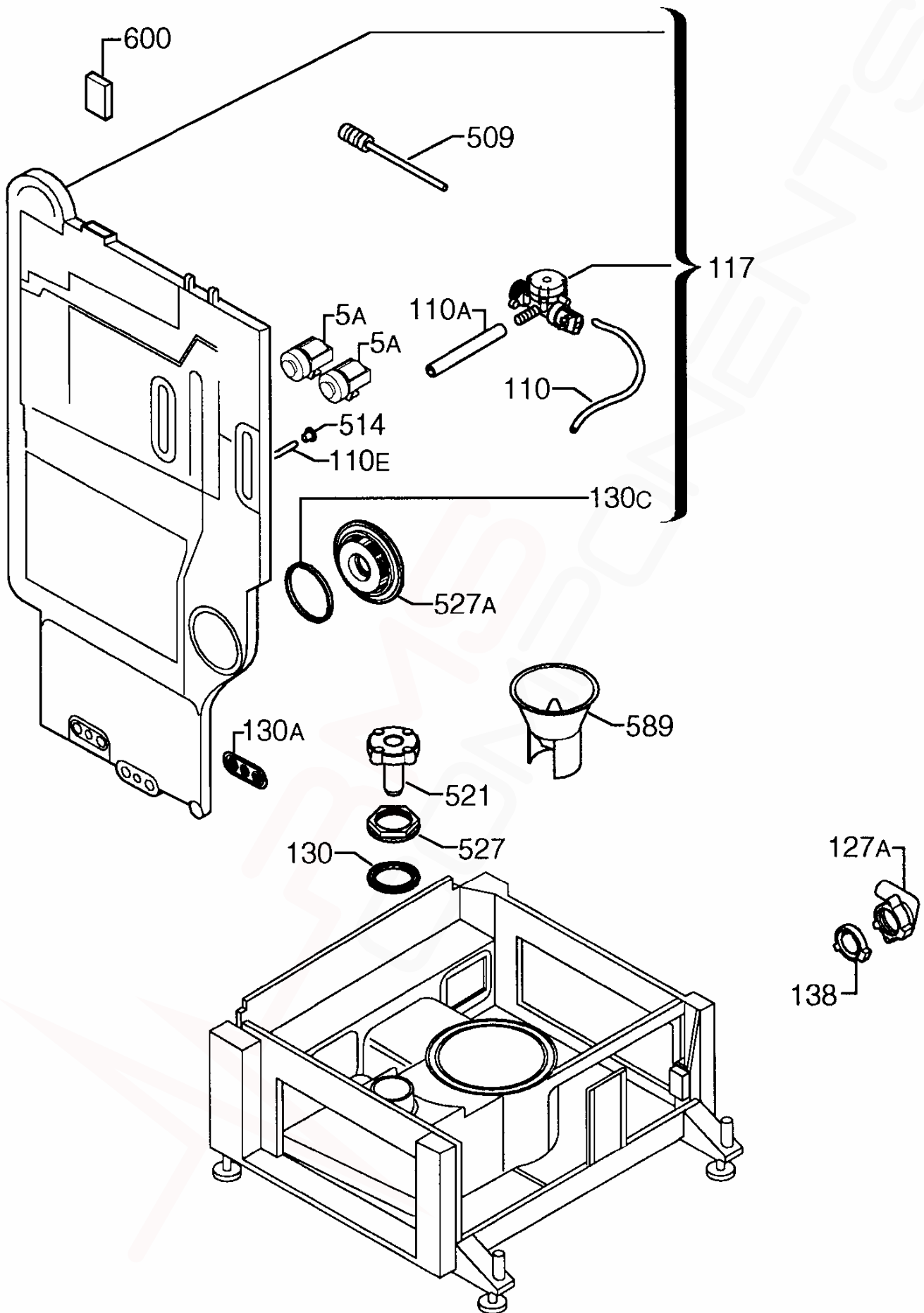
ITEM	PART N°	DESCRIPTION	Ex. 3940	QTY
001	1524755-12/9	Timer		1
003	1524799-10/1	Regulator, Temperature (42°C)		1
003B	1523601-11/8	Regulator, Temperature (59°C)		1
005	1520233-00/6	Valve, Anti-Overflow		1
006	50267490-00/6	Pump Assy. Kit (Inc. Items 119, 130, 130A and 251)		1
007A	1520393115	Switch, Micro, Anti-Overflow		1
010	1115773-00/2	Element, Heater (230V - 2100W)		1
011	1522966-10/8	Capacitor (4 µF)		1
012	1529900-60/5	Switch, Pressure (Inc. Item 110)		1
013	1520646025	Switch, On/Off		1
037	1525956-00/7	Box, Junction, Integrated		1
110	0055 250 455	Tube, Pressure Switch		1
118	1525531-30/5	Dispenser, Detergent (Grey)		1
119	50267509-00/3	Impellers Assembly		1
130	1520292002	Gasket, Pump, Front, 50/39 mm. Dia.		1
130A	1520292101	Gasket, Pump, Front, 63/09 mm. Dia.		1
137	1520170-03/4	Float		1
251	1522489-02/8	Buffer, Back, Motor		1
260C	1522220-00/1	Spring, Fixing, Temperature Regulator		1
523	1520169051	Housing, Float		1
523B	1523700-00/1	Bracket, Support, Motor		1
523C	1520670-00/9	Bracket, Support, Push Button		1
550A	1525149-00/9	Shield, Timer		1
N.I.	1524828-00/9	Stand, Harness		1
N.I.	1524890-04/1	Wiring, Upper		1

MODEL: ESL6100

EX. VIEW DRAWING 3890
WATER CIRCUIT ASSEMBLY



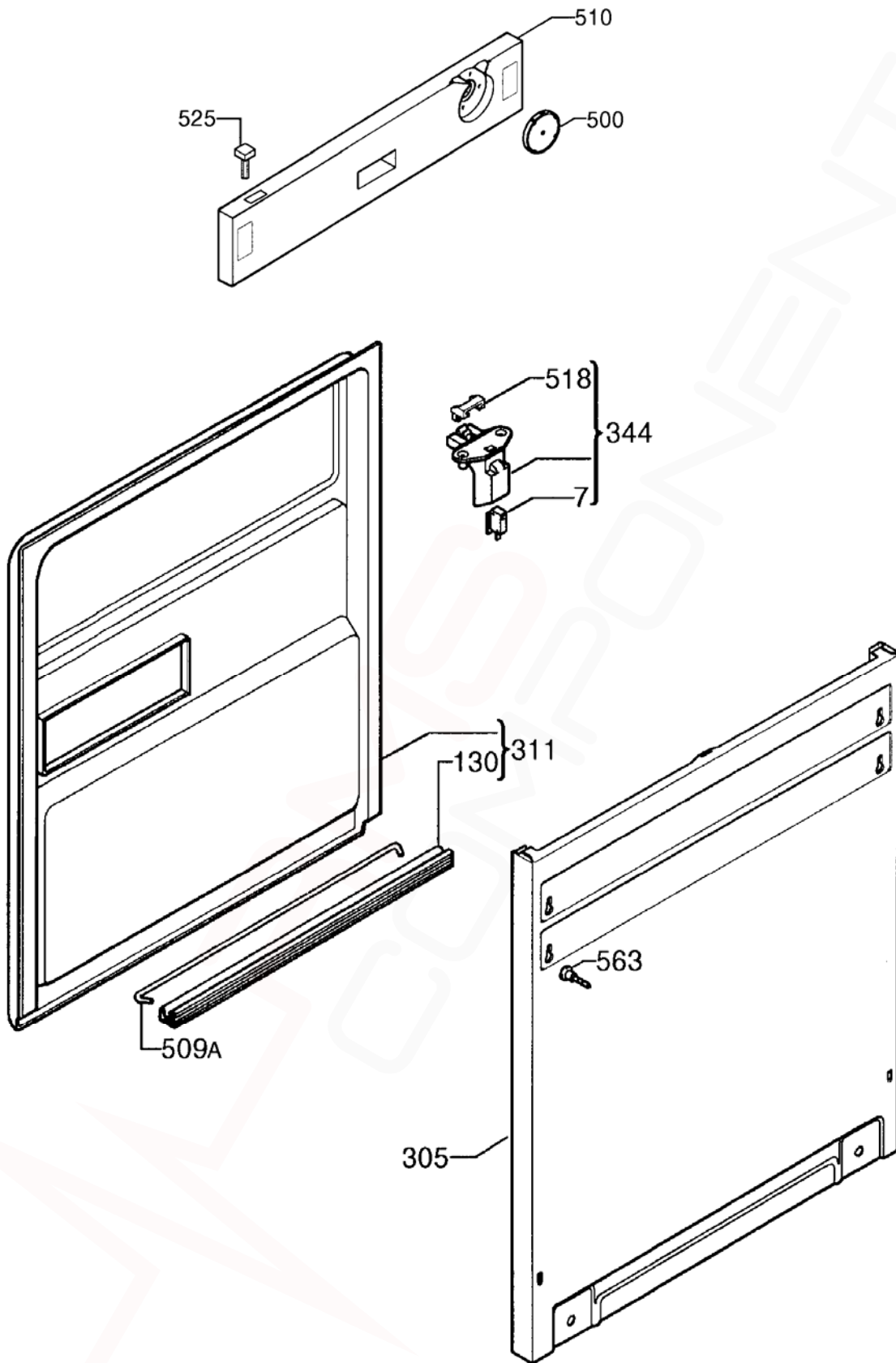
ITEM	PART N°	DESCRIPTION	Ex. 3890	QTY
110	1529849-31/5	Hose, Connecting, Stand		1
110C	1520464-31/5	Tube, Water Balance		1
111	1522221-12/4	Hose, Inlet, Safety (1500 mm)		1
112	0571 400 142	Hose, Drain		1
116	1522410-20/6	Scroll, Wash		1
120	1524505-10/2	Filter, Drain Pump (Grey)		1
120B	1529790-92/3	Filter, Column (Grey)		1
125	1522342-02/9	Retainer, Sump		1
125A	50248856-00/2	"O"-Ring, Manifold, Outer		1
125B	50227938-00/3	"O"-Ring, Manifold, Inner		1
127	1524422-03/5	Connector, Water Sump to Heater		1
127B	1523118-10/5	Connector, Manifold, (Grey)		1
130A	1523119-01/2	Seal, Channel, Drainage		1
130B	1522414-02/6	Gasket, Sump		1
130D	1520772003	Gasket, Column		1
130E	1522802-00/6	Sealing Strip		1
130F	1240151009	Gasket, Hose		1
132A	1529841-80/9	Column and Gasket Assembly		1
135A	1524902-40/8	Channel, Drainage (Grey)		1
139	1524786-30/6	Arm, Bottom Spray (Grey)		1
139A	1524744-10/7	Arm, Upper Spray (Grey)		1
145	1524421-02/9	Manifold, Heater Element		1
145A	1529844-40/7	Manifold Assy., Horizontal (Grey)		1
303	N.P.N.	Stand Assembly		1
338	N.P.N.	NOT USED IN THIS MODEL		0
527E	50239993-00/4	Nut, Water Distributor		1
550	1524982-00/4	Tube, Protection, Water Balance Tube		1



ITEM	PART N°	DESCRIPTION	Ex. 3891	QTY
005A	1529746-70/1	Valve, Electric		2
110	1529902-10/6	Hose, Valve		1
110A	1529902-20/5	Hose		1
110E	1520465103	Tube, Regeneration Tank Drain (250 mm)		1
117	1524624-03/6	Softener, Water (IWMS)		1
127A	1522340-03/1	Connector, Outlet Valve		1
130	1525274-00/5	Seal, Decalcifier		1
130A	1522338-00/1	Gasket, Regen. Tank		1
130C	50659231-00/0	Seal, Round		1
138	1522418-03/5	Membrane, Outlet Valve		1
509	1529902-50/2	Shaft, Adjustor		1
514	2239010050	Bushing		1
521	1520251-60/2	Bung, Decalcifier, (Grey)		1
527	1520250-10/9	Ferrule, Decalcifier, (Grey)		1
527A	1524050-40/6	Ferrule, Active Dry (Grey)		1
589	1520328-40/0	Funnel, (Grey)		1
600	1526856-00/8	Sponge		1

MODEL: ESL6100

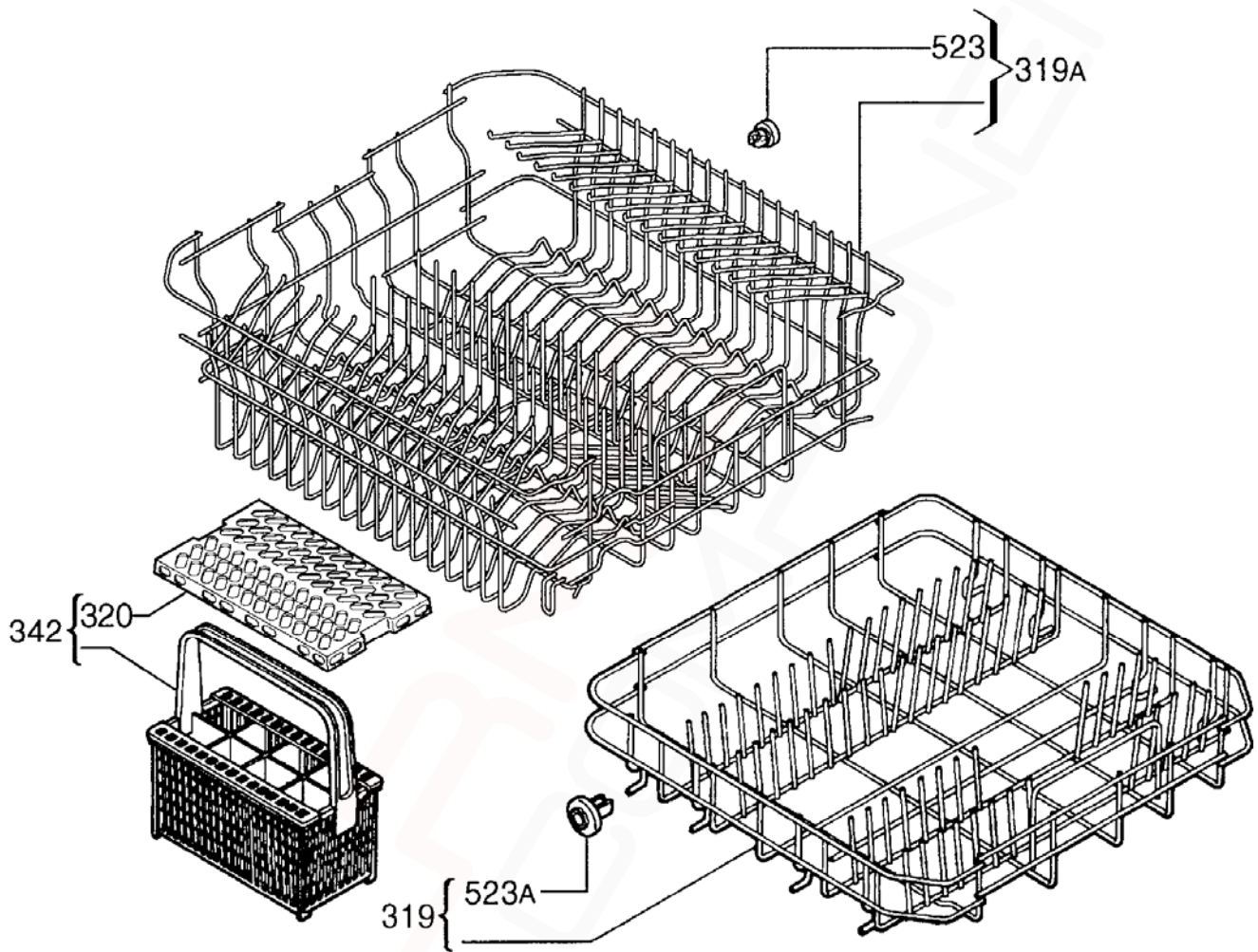
EX. VIEW DRAWING 3939
CONTROL PANEL and
DOOR ASSEMBLY



ITEM	PART N°	DESCRIPTION	Ex. 3939	QTY
007	50253835-00/8	Switch, Micro, Door		1
130	1520425008	Gasket, Door Bottom,		1
305	1524571-05/4	Panel, Door (White)		1
311	50267908-00/7	Panel Assembly, Door, Inner		1
344	50272150-00/9	Latch Kit, Bridging Plug (Inc. Items 007 & 518)		1
500	1523671-21/0	Knob Assembly		1
509A	1520419-14/2	Tie, Hinge		1
510	1526712-00/3	Panel, Control (Grey)		1
518	1526414-00/6	Plug, Bridging		1
525	1526245-20/2	Button, On/Off		1
	1526245-30/1	Button, Bio		1
563	50253377-00/1	Peg Kit, Door Panel (2 Per)		1
N.I.	1525218-03/6	Template		1
N.I.	1523774-00/6	Guard, Base		1
N.I.	1526778-00/4	Plate, Operating		1

MODEL: ESL6100

EX. VIEW DRAWING 3893
BASKET ASSEMBLY



ITEM	PART N°	DESCRIPTION	Ex. 3893	QTY
319	1529809-13/7	Basket, Bottom (Grey)		1
319A	1529812-82/6	Basket, Upper (Grey)		1
320	1525019-10/3	Grate, Cutlery Basket (Grey)		1
342	1525593-00/8	Basket Assy., Cutlery (Grey)		1
523	50269921-00/8	Roller Assembly, Upper Basket (Grey)		8
523A	50269757-00/6	Roller Assembly, Lower Basket (Grey)		8