



**ELECTROLUX HOME PRODUCTS PTY LTD**

Technical Publication N° DW153

Issue: 1  
Date: 03/06

**WEB SITE ADDRESS: <http://www.partnship.com.au>**

***ELECTROLUX***  
***DISHWASHER***

<b>SECTION</b>	<b>PAGE N°</b>
OUTER PANEL & LINER ASSEMBLY	2 & 3
ELECTRICAL ASSEMBLY	4 & 5
WATER CIRCUIT ASSEMBLY	6 & 7
WATER SOFTENER ASSEMBLY	8 & 9
CONTROL PANEL ASSEMBLY	10 & 11
BASKET ASSEMBLY	12 to 13
DOOR ASSEMBLY	14 & 15
PROGRAM TABLE	16
WIRING DIAGRAM	17
CIRCUIT DIAGRAM	18

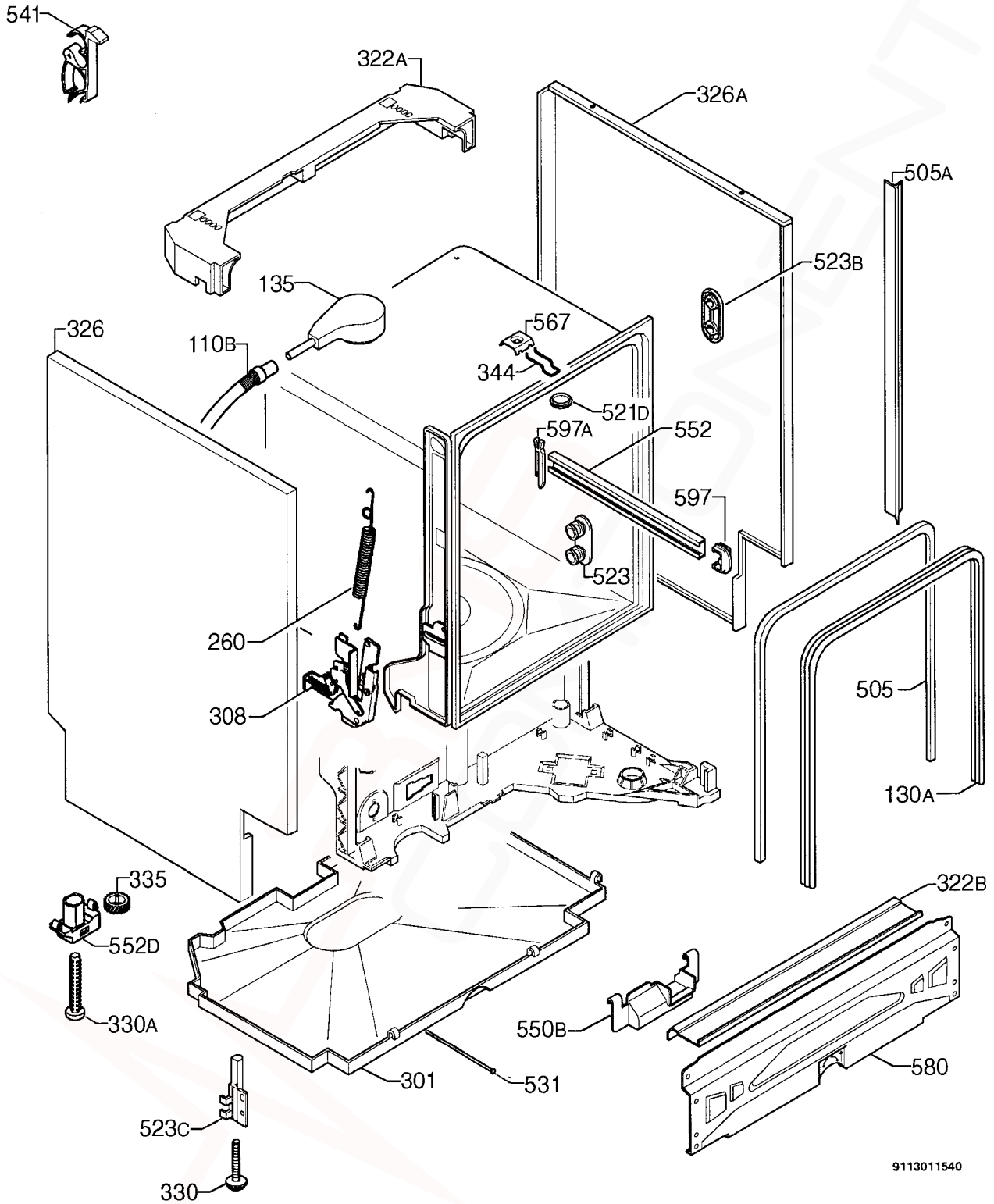
***MODEL:***

**ESL4143**

**PNC 911 635 212**

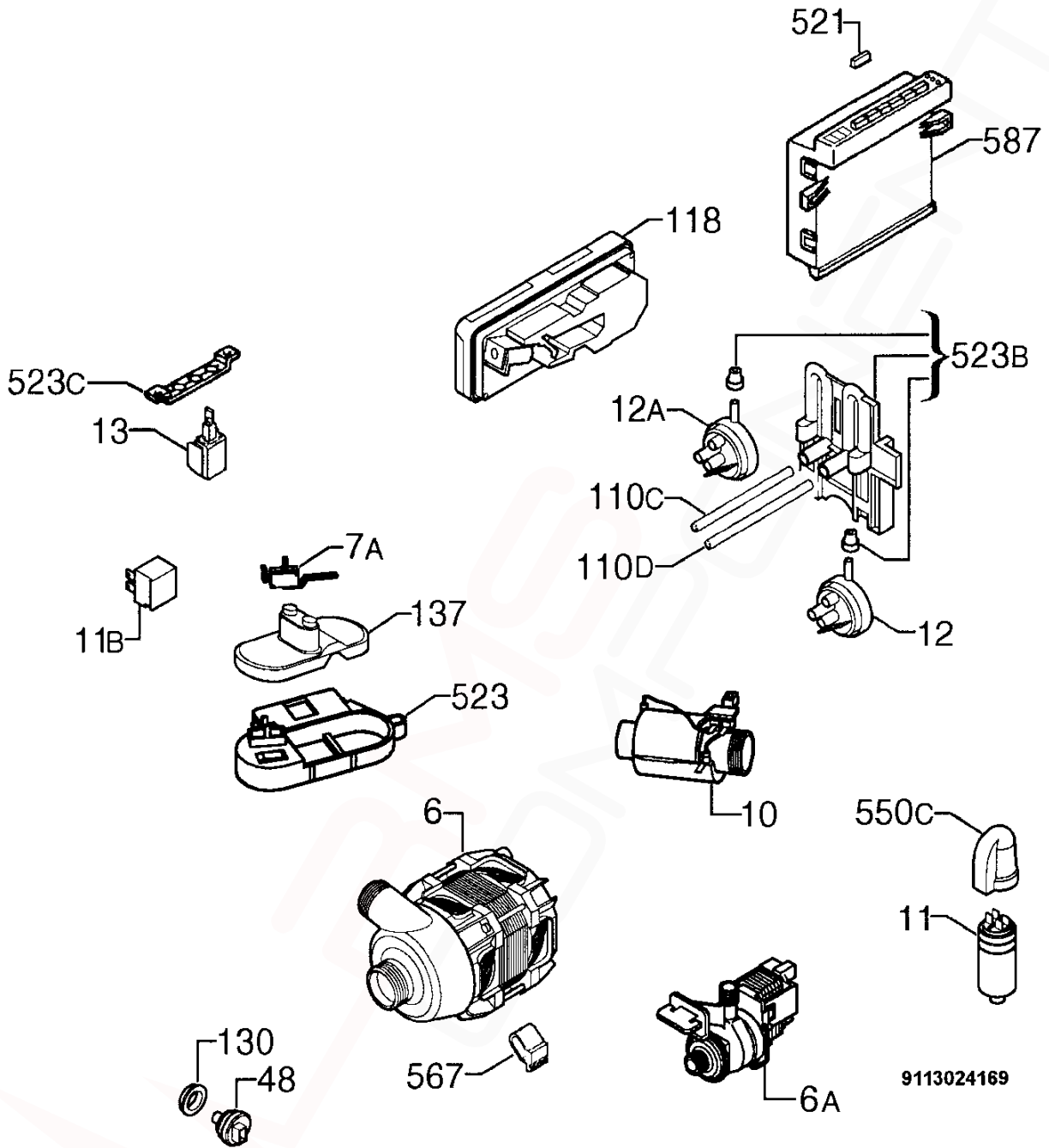
MODEL: ESL4143

EX. VIEW DRAWING 5608  
OUTER PANEL & LINER ASSEMBLY

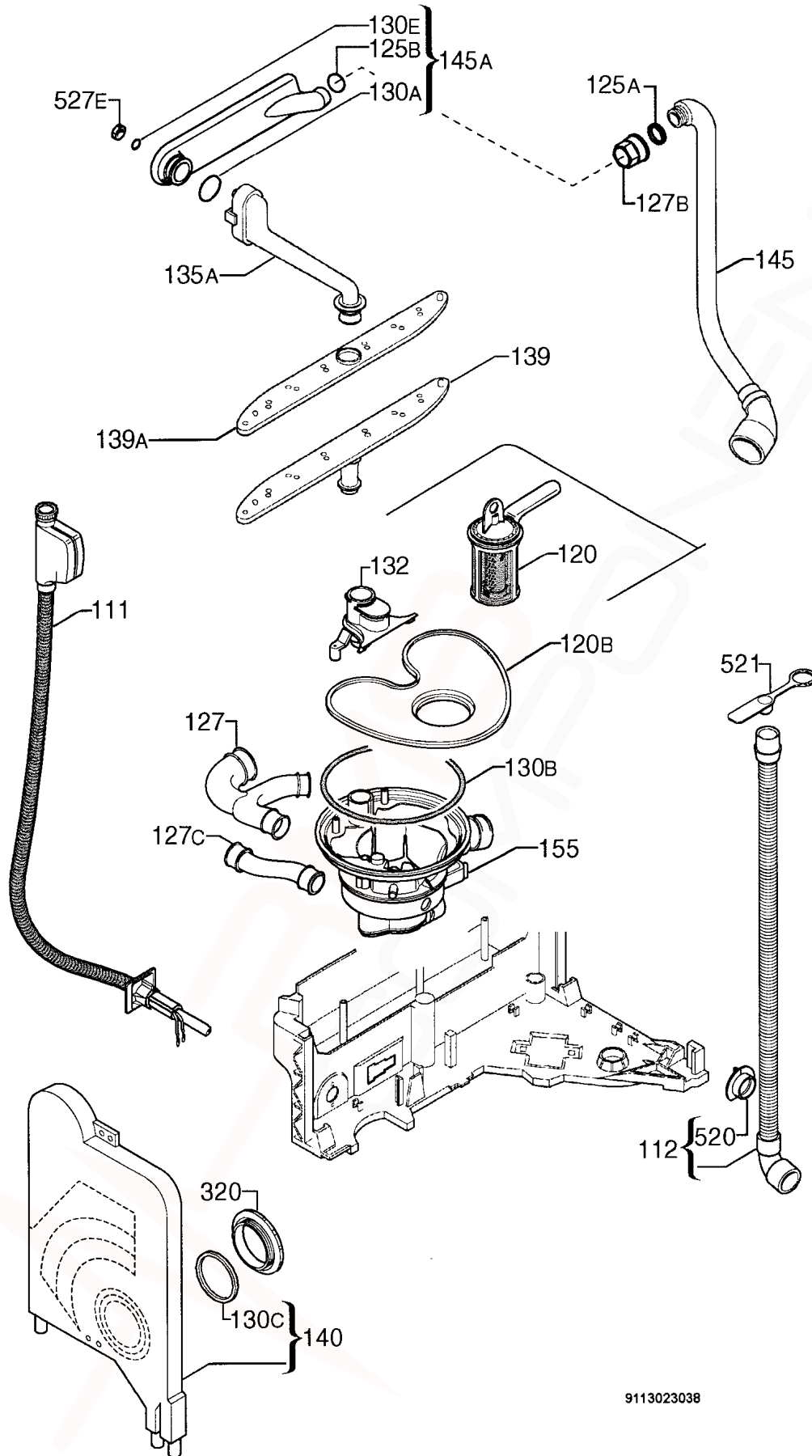


9113011540

ITEM	PART NUMBER	DESCRIPTION Ex. 5608	QTY
110B	<b>1527937-01/3</b>	Tube, Drying, L=680	1
130A	<b>1524445-30/9</b>	Sealing, Outer, L=1580	1
135	<b>1527756-00/9</b>	Air Guide, ACTIV DRYING	1
260	<b>1527529-00/0</b>	Spring, Door Hinge, Built-In	2
301	<b>1527261-04/2</b>	Bottom, Cabinet	1
308	<b>50286437-00/4</b>	Kit, Door Hinge, Right-Left, DIVA-45/60	2
322A	<b>1527257-00/8</b>	Crossbar, Back, Upper	1
322B	<b>1527256-00/0</b>	Crosspiece, Front, Bottom	1
326	<b>1526790-02/5</b>	Side Panel, Left, White, DIVA-45/60	1
326A	<b>1526790-12/4</b>	Side Panel, Right, White, DIVA-45/60	1
330	<b>1526617-02/0</b>	Adjustable Foot, Front	2
330A	<b>1526994-00/7</b>	Adjustable Foot, Central	1
335	<b>1527142-00/2</b>	Cog Wheel	1
344	<b>1522344-05/8</b>	Latch	1
505	<b>1526715-20/4</b>	Trimming, Tub, Cabinet, L=1560	1
505A	<b>1522222-20/5</b>	Trimming, Side, L=623	1
521D	<b>1526576-00/2</b>	Hole Cover, Latch	1
523	<b>50282756-00/1</b>	Wheel Support Kit, Dark Grey, 4 Pcs.	4
523B	<b>1521220-03/6</b>	Re-Enforcement, Bracket	4
523C	<b>1526315-03/9</b>	Foot Support, Front, Left	1
523C	<b>1526315-13/8</b>	Foot Support, Front, Right	1
531	<b>1523262-21/8</b>	Adjusting Screw, Leg, Central	1
541	<b>1526417-00/9</b>	Hose Clamp	1
550B	<b>1522345-03/0</b>	Wiring Protection	1
552	<b>1520512-05/2</b>	Rail Basket, Upper	2
552D	<b>1523698-04/9</b>	Guidance, Foot, Central	1
567	<b>1523236-03/0</b>	Plaque	1
580	<b>1527255-01/0</b>	Door Lock, Front, Bottom, DIVA/45	1
597	<b>1520479-20/3</b>	Stopper, Front, Dark Grey	2
597A	<b>8996461234-05/7</b>	Stopper, Back, Dark Grey	2



ITEM	PART NUMBER	DESCRIPTION Ex. 5607	QTY
6	<b>50285543-00/0</b>	Washing Motor, Tachometric	1
6A	<b>50286272-00/5</b>	Drain Pump, 50Hz	1
7A	<b>1520393-11/5</b>	Micro Switch, Anti Overflow	1
10	<b>50280071-00/7</b>	Heater, 230V/2000W-D.32mm.	1
11	<b>1526356-11/6</b>	Capacitor	1
11B	<b>1526204-02/7</b>	Interference Suppressor	1
12	<b>1526370-02/6</b>	Pressure Switch, Level, 65/45	1
12A	<b>1526370-14/1</b>	Pressure Switch, Safety, 123/98	1
13	<b>1527532-00/4</b>	Push Button Board, 1 Button	1
48	<b>1115912-06/3</b>	Temperature Sensor	1
110C	<b>1526510-20/9</b>	Tube, Pressure Switch, Safety, L=220	1
110D	<b>1526510-30/8</b>	Tube, Pressure Switch, Level, L=240	1
118	<b>50285882-00/2</b>	Kit, Dispenser, Detergent	1
130	<b>1118535-03/6</b>	Sealing Sleeve, Temperature Sensor	1
137	<b>1526761-01/8</b>	Float	1
521	<b>1526601-11/5</b>	Air Outlet Flap, Push Button Panel, Black	1
523	<b>1520169-06/9</b>	Support, Float	1
523B	<b>1526412-00/0</b>	Holder, Pressure Switch	1
523C	<b>1520670-00/9</b>	Push Button Holder, Module, Metal	1
550C	<b>8996461234-30/5</b>	Cover Cap	1
567	<b>1118709-01/1</b>	Rubber Damper, Circulation Pump	1
587	<b>973911635212005</b>	PCB, Configured, EDW1003	1
NI	<b>1526453-31/9</b>	Power Cable, Australia	1

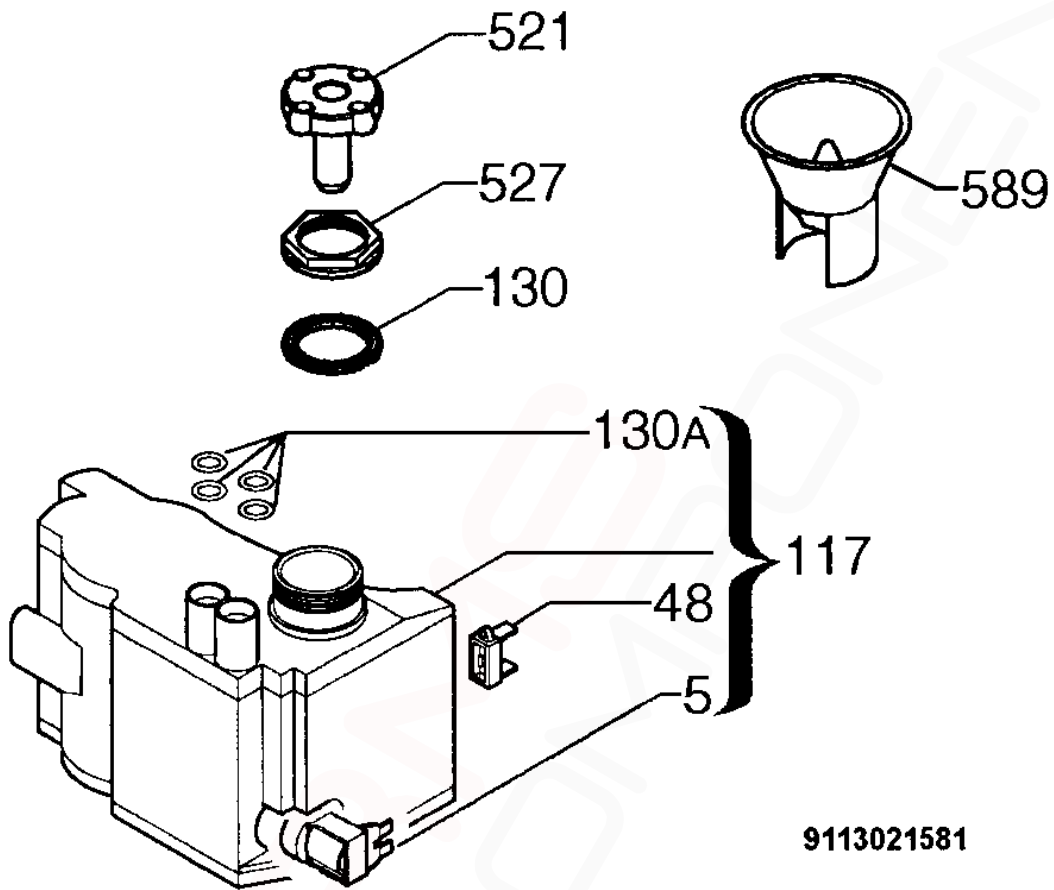


9113023038

ITEM	PART NUMBER	DESCRIPTION Ex. 5609	QTY
111	<b>1526443-03/9</b>	Inlet Hose, Water Block, L=1500	1
112	<b>1526492-20/0</b>	Discharge Pipe, Complete, L=1930	1
120	<b>1526612-02/1</b>	Drain Filter, Complete	1
120B	<b>1526900-00/4</b>	Sieve, Inox	1
125A	<b>50282650-00/6</b>	O-Ring, Manifold, Outer	1
125B	<b>50227938-00/3</b>	O-Ring, Manifold, Inner	1
127	<b>1528113-00/2</b>	Connector, Y---D = 32mm	1
127B	<b>1523118-20/4</b>	Pipe Union, Manifold, Dark Grey	1
127C	<b>1526981-01/2</b>	Pipe Union, Decalcifier, Sump	1
130A	<b>1523119-01/2</b>	Seal, Channel Drainage	1
130B	<b>8996461217-70/6</b>	O-Ring, Sump	1
130C	<b>50659231-00/0</b>	Round Seal, Container Cup	1
130E	<b>1522802-00/6</b>	Sealing Strip	1
132	<b>1118495-90/0</b>	Column, Support, Lower Spray Arm	1
135A	<b>50281041-00/9</b>	Channel Drainage, Grey, Complete, DIVA 45/60	1
139	<b>1527271-00/9</b>	Lower Spray Arm, Light Grey, DIVA/45	1
139A	<b>1527169-02/1</b>	Spray Arm, Upper, Grey, DIVA/45	1
140	<b>1526296-13/0</b>	Container Cup, Small, Electronic	1
145	<b>1528120-00/7</b>	Manifold, Outer, D = 32mm	1
145A	<b>1527258-10/5</b>	Manifold, Horizontal, Dark Grey	1
155	<b>1527955-00/7</b>	Sump, Connector, Complete, DIVA/45	1
320	<b>1526272-10/7</b>	Grill, Vapour Outlet, Dark Grey	1
520	<b>1526862-00/6</b>	Flange, Discharge Pipe	1
521	<b>1527389-00/9</b>	Stopper, Drainage Hose	1
527E	<b>50286080-00/2</b>	Nut, Water Distributor	1

MODEL: ESL4143

EX. VIEW DRAWING 5610  
WATER SOFTENER ASSEMBLY



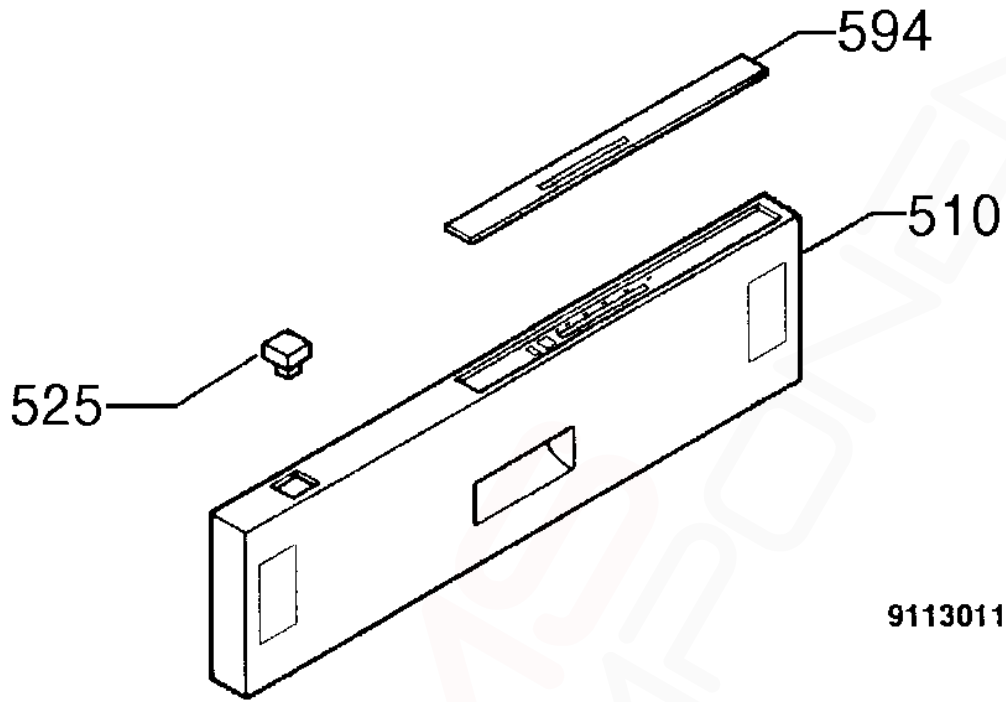
9113021581



ITEM	PART NUMBER	DESCRIPTION Ex. 5610	QTY
5	<b>1528765-01/7</b>	Regeneration Electric Valve, Water Softener, BITRON	1
5	<b>1528875-01/4</b>	Regeneration Electric Valve, Decalcifier, T&P	1
48	<b>1528882-01/0</b>	Salt Sensor, Decalcifier, T&P	1
48	<b>1528766-00/7</b>	Salt Sensor, Decalcifier, BITRON	1
117	<b>50286081-00/0</b>	Decalcifier	1
130	<b>1521128-10/6</b>	Gasket, Decalcifier	1
130A	<b>1526505-00/1</b>	Grommet, Decalcifier	4
521	<b>1526411-00/2</b>	Stopples, Decalcifier	1
527	<b>1526449-10/1</b>	Ring Nut, Decalcifier, Dark Grey	1
589	<b>1520328-40/0</b>	Funnel, Grey	1

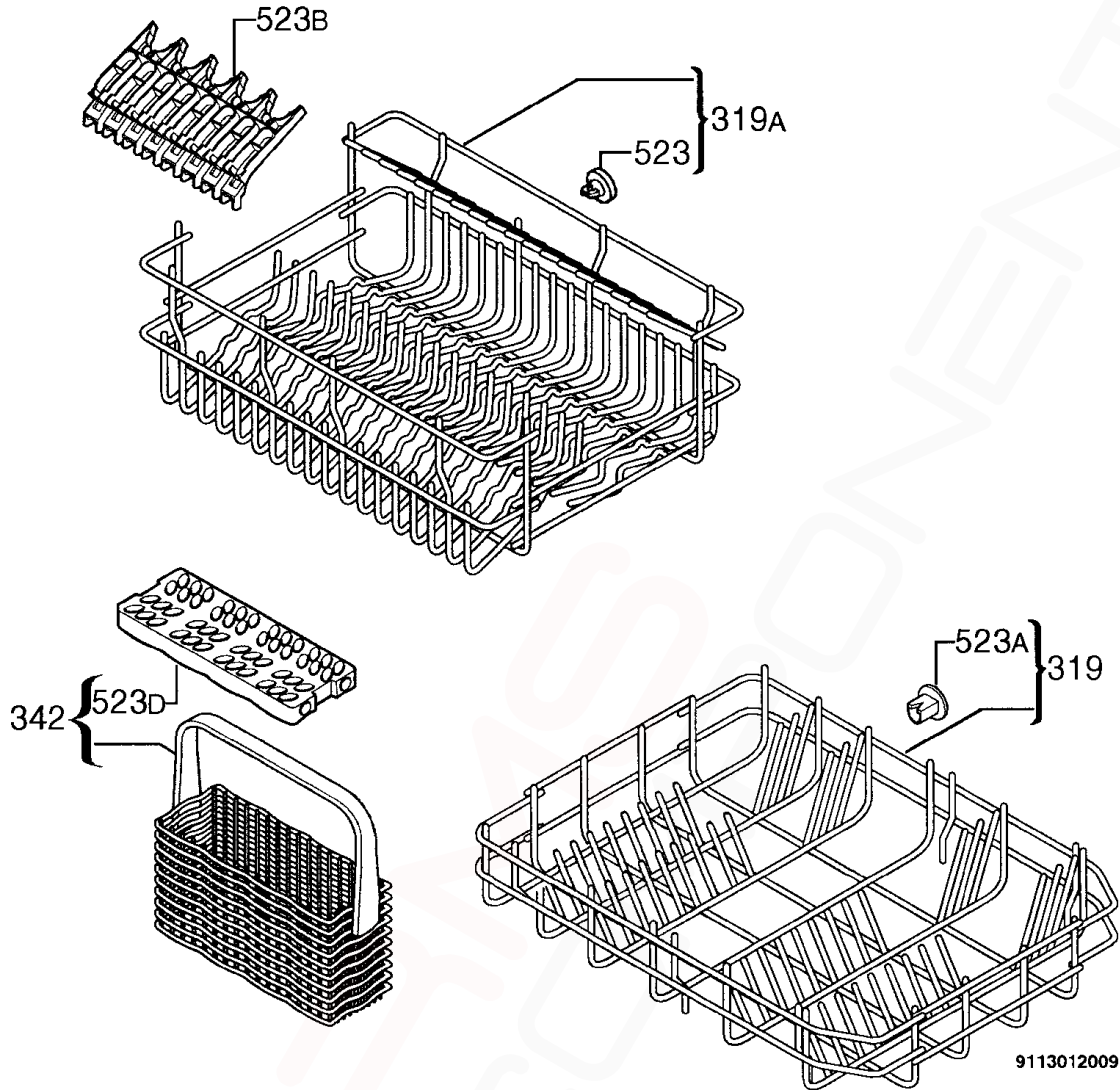
MODEL: ESL4143

EX. VIEW DRAWING 5605  
CONTROL PANEL ASSEMBLY

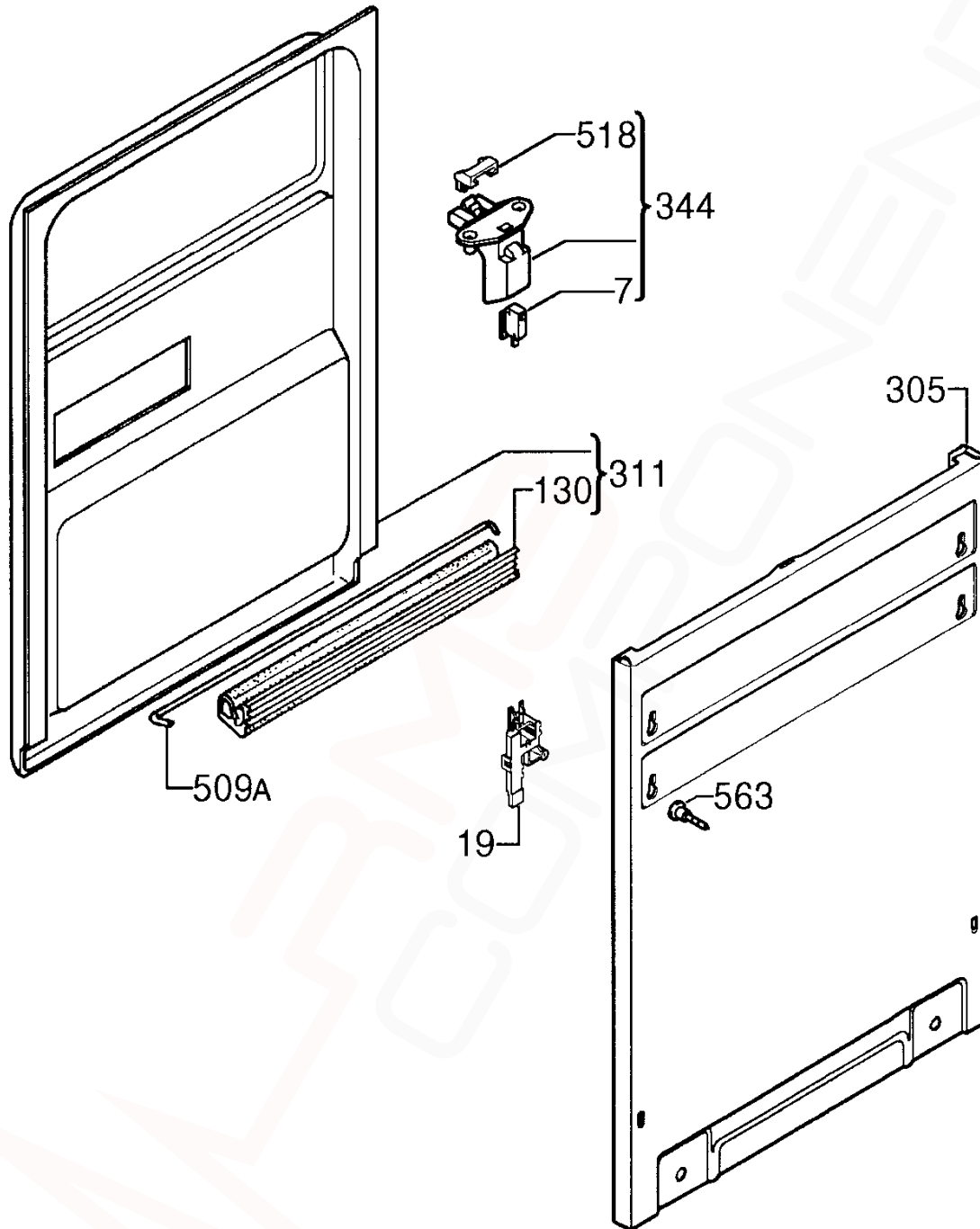


9113011545

ITEM	PART NUMBER	DESCRIPTION Ex. 5605	QTY
510	<b>1527978-81/9</b>	Control panel, white, silk screened	1
525	<b>1521064-00/4</b>	Push button, white	1
594	<b>1529010-00/9</b>	Indicating glass, control panel, silk screened	1



ITEM	PART NUMBER	DESCRIPTION Ex. 5604	QTY
319	<b>1529704-51/0</b>	Dishwasher Basket, Bottom, Grey	1
319A	<b>1529709-51/9</b>	Dishwasher Basket, Upper, Grey	1
342	<b>1524746-30/0</b>	Cutlery Basket, Grey, Complete	1
523	<b>50286967-00/0</b>	Wheel Kit, 8 Pcs, Dark Grey, DIVA45/60	8
523A	<b>50286965-00/4</b>	Wheel Kit, 8 Pcs, Dark Grey, DIVA45/60	8
523B	<b>1527713-12/5</b>	Support, Cup, Grey	2
523D	<b>1524539-21/8</b>	Support, Large, Grey	1



9113011544

ITEM	PART NUMBER	DESCRIPTION Ex. 5606	QTY
7	<b>50253835-00/8</b>	Micro Switch, Door	1
19	<b>1111414-13/0</b>	Door Indicator Lamp, Light, Bottom	1
130	<b>1527401-10/1</b>	Door Gasket, Bottom, Black, L=400	1
305	<b>1520373-07/5</b>	Door, White, Integrated, LS45-524x438	1
311	<b>50282768-00/6</b>	Inner Door, Complete, DIVA/45	1
344	<b>1526377-03/9</b>	Latch, Bridging Plug, Complete	1
509A	<b>1520419-20/9</b>	Tie, Hinge, DIVA/45	1
518	<b>1526414-02/2</b>	Bridging Plug	1
563	<b>50253377-00/1</b>	Kit, Peg, Door Panel, 2 Pz.	2