

Electrolux

ELECTROLUX HOME PRODUCTS PTY LTD

ABN 51 004 762 341

Technical Publication N° DW336

Issue: 1

Date: 11/11

ELECTROLUX ELECTRONIC DISHWASHER

MODEL:

ESL4143

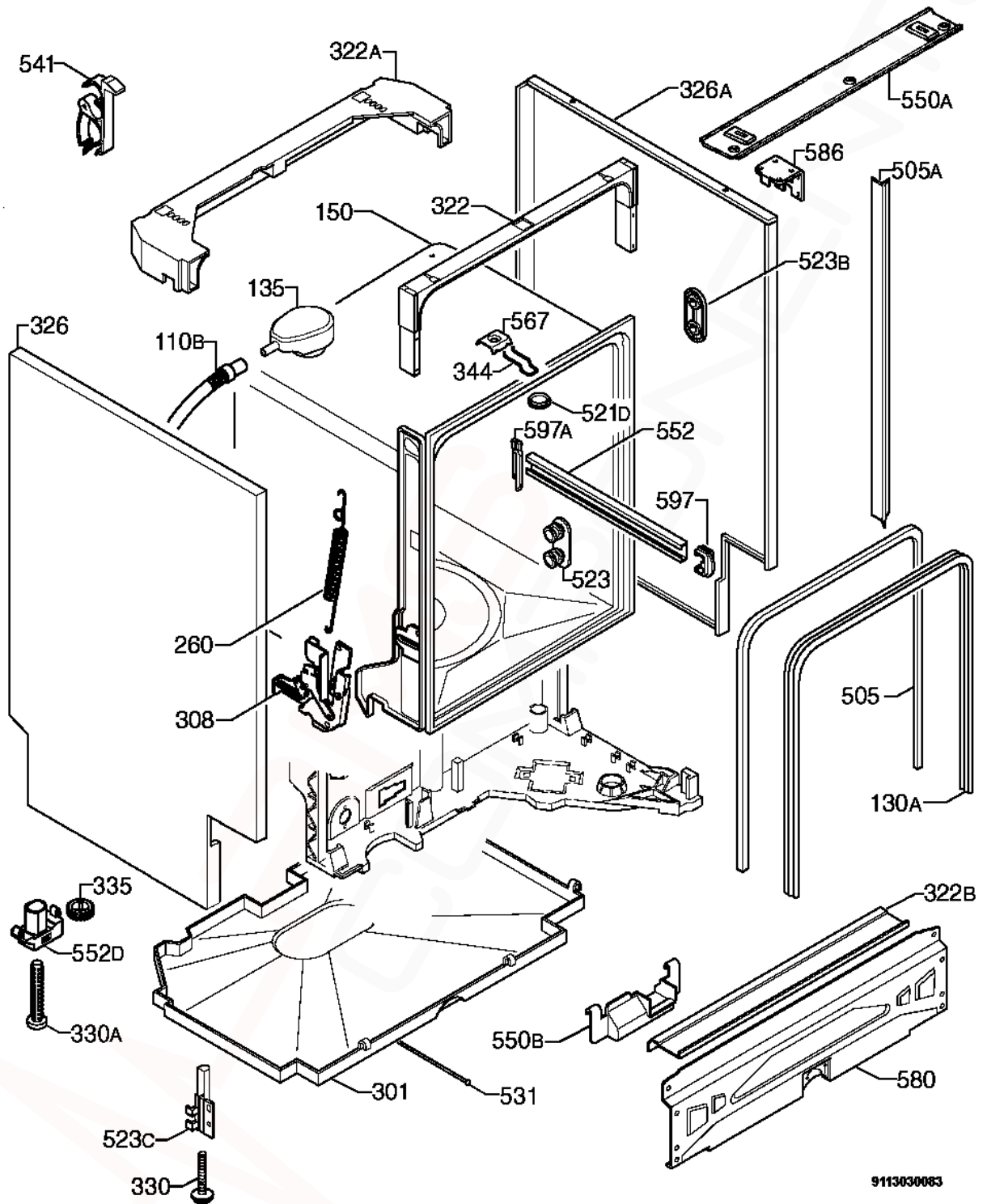
PNC 911635212 01

VARIANT CHANGE SUMMARY	
-------------------------------	--

01	Modifications to Sealing Outer, Side Panel L/R, Rail Basket Upper, PCB, Harness, Wash Motor, Drain Pump, Pressure Switches & Tubes.
-----------	---

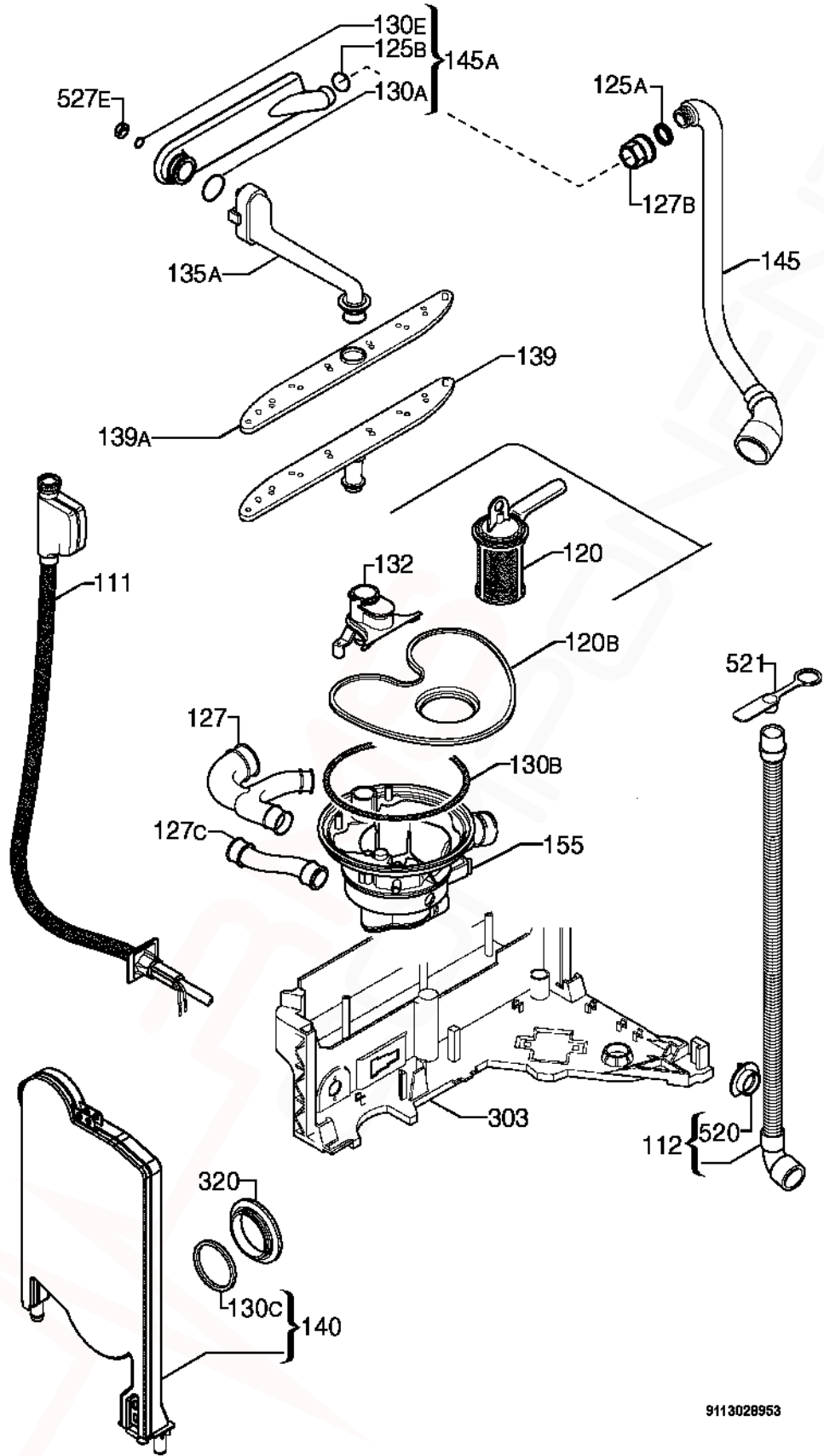
SAFR	
-------------	--

ESF4143 / 911635212 01	06/11/2007



ITEM	PART N°	DESCRIPTION Ex. 9113030083	QTY
110B	1527937-01/3	Tube Drying x 680mm Long	1
130A	1171219205	Sealing Sleeve Outer x 1580mm Long	1
135	1527756-00/9	Air Guide ACTIVE DRYING	1
150	N.P.A.	Tub	-
260	1527529-00/0	Spring Door Hinge Built-In	2
301	1527261075	Bottom Cabinet	1
308	50286437-00/4	Kit Door Hinge Right-Left	1
322	1527130247	Crossbar Front Upper	1
322A	1527257-00/8	Crossbar Back Upper	1
322B	1527256-00/0	Crosspiece Front Bottom	1
326	1526790-04/1	Side Panel Left White	1
326A	1526790-14/0	Side Panel Right White	1
330	1526617-02/0	Adjustable Foot Front	2
330A	1526994-00/7	Adjustable Foot Central	1
335	1527142-00/2	Cog Wheel	1
344	1522344-05/8	Latch	1
505	1526715-20/4	Trimming Tub White x 1560mm Long	1
505A	1522222-20/5	Trimming Side x 623mm Long	2
521D	1526576-00/2	Hole Cover Latch	1
523	50289087-00/4	Wheel Support Kit Dark Grey (4 Pieces)	1
523B	1521220-10/1	Stiffening Holder Roller	4
523C	1526315-03/9	Foot Support Front Left	1
523C	1526315-13/8	Foot Support Front Right	1
531	1523262-21/8	Adjusting Screw Leg Central	1
541	N.P.A.	Hose Clamp	1
550A	ES6060	Protection Front Top	1
550B	1522345-03/0	Wiring Protection	1
552	1170542-00/3	Rail Basket Upper	2
552D	1523698-04/9	Guidance Foot Central	1
567	1523236-03/0	Plaque	1
580	1527255-01/0	Door Lock Front Bottom	1
586	1170209-00/9	Fixing Bracket Top	2
597	1520479-30/2	Basket Stop Front Dark Grey	2
597A	8996461234-05/7	Stopper Back Dark Grey	2
N.I.	1527711004	Cap Protection Screws	1
N.I.	50282092-00/1	Fixing Clip Stud (4 Pieces)	1

ITEM	PART N°	Description	Ex. 9113030728	QTY
6	1111468-12/8	Washing Motor Tachometric		1
6A	50293177-00/7	Drain Pump 50Hz		1
7A	1520393-11/5	Microswitch Anti-overflow		1
10	50297618-00/6	Heater 230V/2000W Ø32mm		1
11	50287485-00/2	Running Capacitor Shank		1
11B	0144400042	Interference Suppressor		1
12	1528189-02/8	Pressure Switch Level 65/45		1
12A	1528189-12/7	Pressure Switch Safety 123/98		1
13	1527532-00/4	Push Button Board 1 Button		1
48	1115912-06/3	Temperature Sensor NTC		1
110C	1170450017	Tube Press Switch Safety x 460mm Long		1
110D	1170450116	Tube Press Switch Level x 460mm Long		1
118	50285882-00/2	Kit Dispenser Detergent		1
130	0208400152	Sealing Sleeve Temperature Sensor		1
137	1526761-01/8	Float		1
521	1526601-11/5	Air Outlet Flap Push Button Panel Black		1
523	1520169-06/9	Support Float		1
523B	1170351-00/9	Mount Pressure Switch		1
523C	1520670-00/9	Push Button Holder Module Metal		1
567	1118709102	Rubber Damper Circulation Pump		1
587	973911635212013	Configured Electronic EDW1003--		1
N.I.	1170862-31/0	Power Cable AUS/NZ		1
N.I.	1171051103	Harness		1
N.I.	1526491-01/2	Electric Cable Anti-overflow Gasket		1

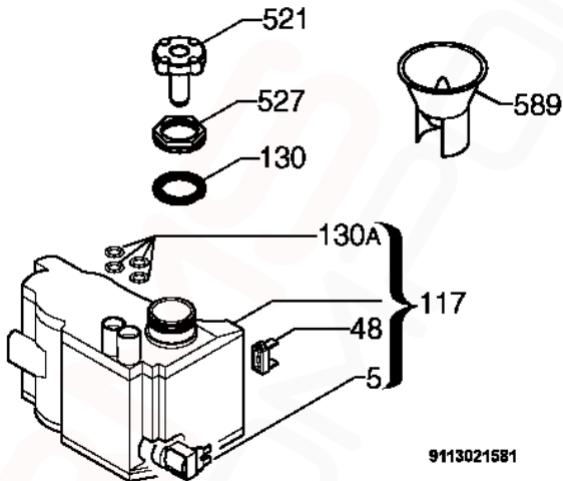


ITEM	PART N°	Description	Ex. 9113028953	QTY
111	1526443-04/7	Inlet Hose Water Block x 1500mm Long		1
112	0571400166	Discharge Pipe Complete x 2400mm Long		1
120	50297774-00/7	Drain Filter Complete		1
120B	1526900-00/4	Sieve Inox		1
125A	50282650-00/6	O-Ring Manifold Outer		1
125B	50227938-00/3	O-Ring Manifold Inner		1
127	1528113-00/2	Connector Y Ø32mm		1
127B	1523118-20/4	Pipe Union Manifold Dark Grey		1
127C	1526981-01/2	Pipe Union Decalcifier Sump		1
130A	1523119-01/2	Seal Channel Drainage		1
130B	0208400147	O-Ring Sump		1
130C	N.P.A.	Round Seal Container Cup		1
130E	1522802-00/6	Sealing Strip		1
132	1118495-91/8	Column Support Lower Spray Arm		1
135A	1528233800	Channel Drainage Grey Complete		1
139	1527271207	Lower Spray Arm Diva 45		1
139A	1527169-02/1	Spray Arm Upper Grey		1
140	1170481-00/4	Container Cup Small Electronic		1
145	1528120-00/7	Manifold Outer Ø32mm		1
145A	1172026013	Manifold Horizontal Dark Grey		1
155	1527955-02/3	Sump Pipe Union Complete		1
303	1527254070	Basement		1
320	1526272-10/7	Grill Vapour Outlet Dark Grey		1
520	N.P.A.	Flange Discharge Pipe		1
521	N.P.A.	Stopper Drainage Hose		1
527E	50286080-00/2	Nut Water Distributor		1

If a Customer needs to extend their Drain Hose, order the following components:
0571400142 Hose Drain (2M length), 0182200002 Ferrule Hose Joiner (19mm)
and 2 x 0005001019 Clamp.

For extensions less than 2 metres, use ES5323K Kit Hose Flex Drain (1M)

NOTE: Total Drain Hose length must not exceed 4 metres.



9113021581

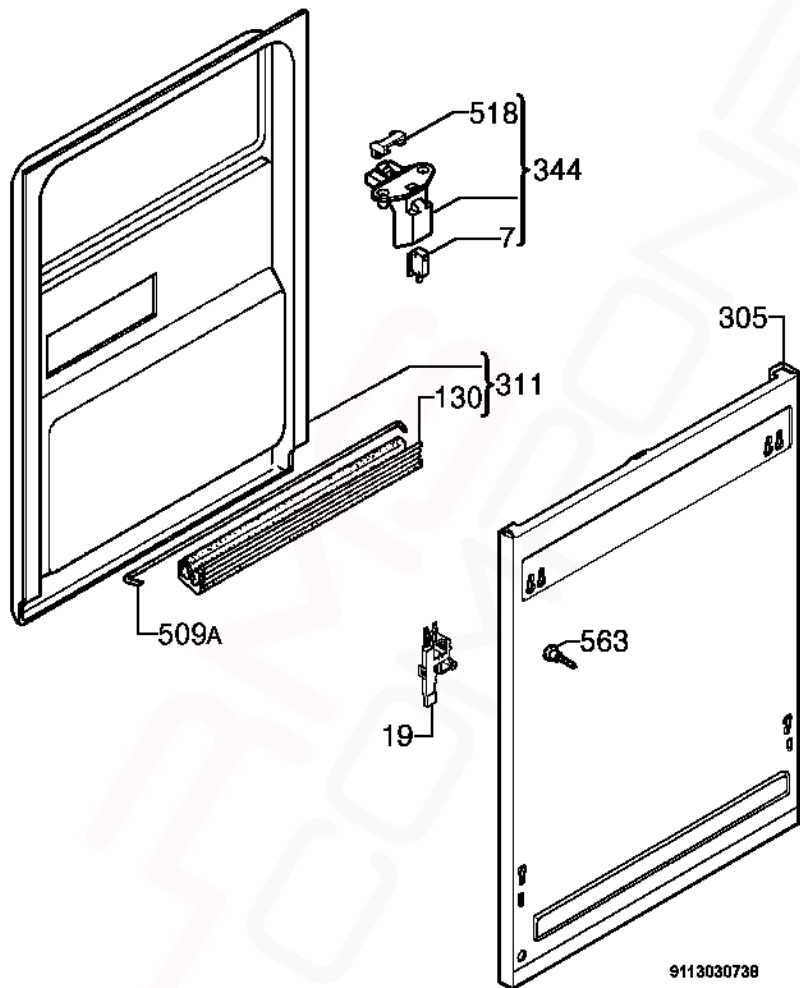
9113021581

MODEL: ESL4143

PNC 911635212 01

**EX. VIEW 9113021581
REGENERATION TANK
COMPONENTS**

ITEM	PART N°	DESCRIPTION	Ex. 9113021581	QTY
5	1528765-01/7	Regeneration Electric Valve Water Softener		1
48	1528882-01/0	Salt Sensor Decalcifier		1
117	50286081-00/0	Decalcifier		1
130	1521128-10/6	Gasket Decalcifier		1
130A	1526505-00/1	Grommet Decalcifier		4
521	1526411-00/2	Stopples Decalcifier		1
527	1526449-10/1	Ring Nut Decalcifier Dark Grey		1
589	1520328-40/0	Funnel Dishwasher Salt Grey		1



9113030738

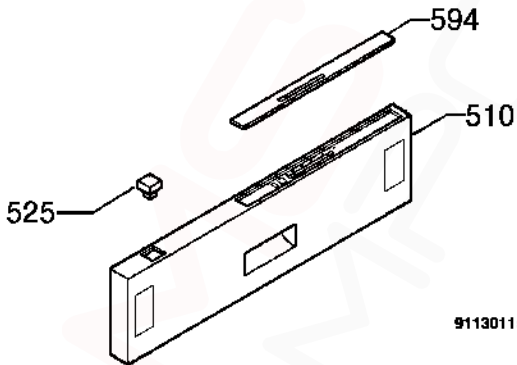
9113030738

MODEL: ESL4143

PNC 911635212 01

EX. VIEW 9113030738
DOOR COMPLETE
ASSEMBLY

ITEM	PART N°	DESCRIPTION	Ex. 9113030738	QTY
7	50287927-00/3	Microswitch Door		1
19	1111414-13/0	Door Indicator Lamp Light Bottom		1
130	1527401-10/1	Door Gasket Bottom Black x 400mm Long		1
305	1520373083	Door White Integrated 524x438		1
311	50282768-00/6	Inner Door Complete		1
344	1526377-08/8	Latch Bridging Plug Complete		1
509A	1520419-20/9	Tie Hinge		1
518	1526414-02/2	Bridge Door Lock		1
563	50253377-00/1	Kit Peg Door Panel (2 Pieces)		1
N.I.	1527494031	Template		1



9113011545

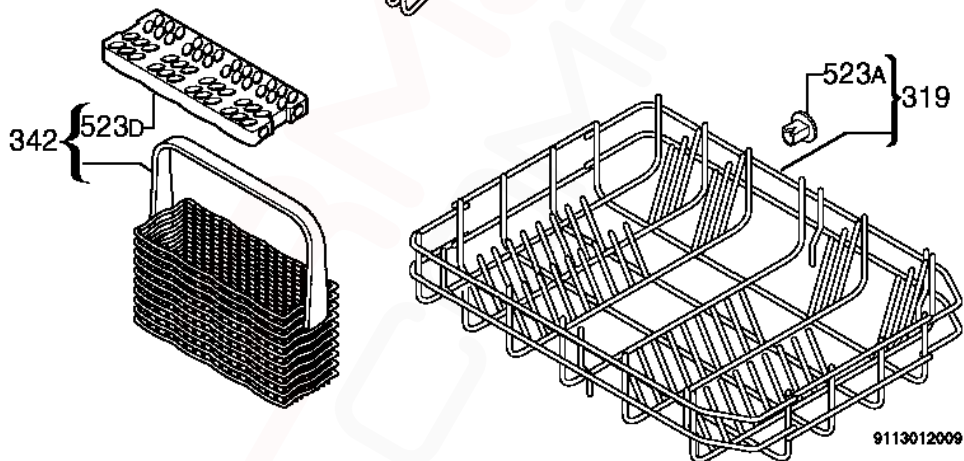
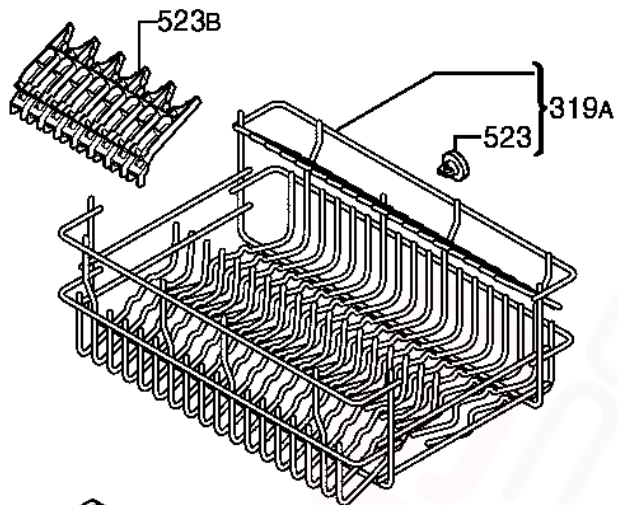
9113011545

MODEL: ESL4143

PNC 911635212 01

**EX. VIEW 9113011545
PANEL CONTROL**

ITEM	PART N°	DESCRIPTION	Ex. 9113011545	QTY
510	1527978-81/9	Control Panel White Silkscreened		1
525	1521064-00/4	Push Button White		1
594	1529010-00/9	Indicating Glass Control Panel Silkscreened		1



9113012009

MODEL: ESL4143**PNC 911635212 01****EX. VIEW 9113012009
BASKET ASSEMBLY**

ITEM	PART N°	DESCRIPTION	Ex. 9113012009	QTY
319	1529704-51/0	Dishwasher Basket Bottom Grey		1
319A	1529709-51/9	Dishwasher Basket Upper Grey		1
342	0203426003	Cutlery Basket Grey Complete		1
523	50286967-00/0	Wheel Kit Dark Grey (8 Pieces)		1
523A	50286965-00/4	Wheel Kit Dark Grey (8 Pieces)		1
523B	1527713-13/3	Holder Cup Grey		4
523D	1524539-21/8	Grate Cutlery Basket Grey		1