

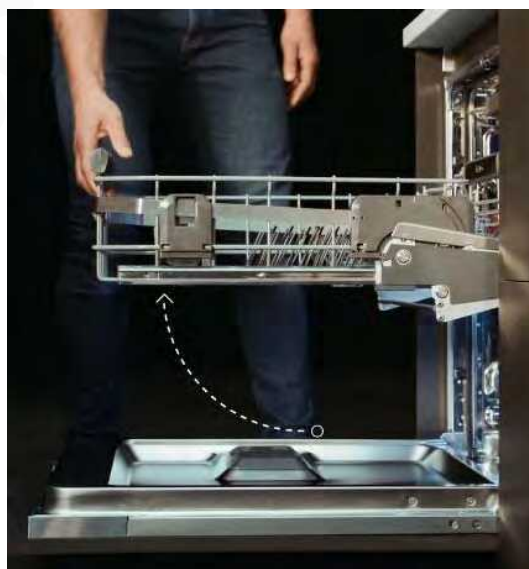
ELECTROLUX

DOMESTIC HOUSEHOLD DISHWASHER WITH COMFORTLIFT 14 PLACE SETTING

CONTENTS	PAGE N°
CABINET and BASE ASSEMBLY	2 & 3
DOOR ASSEMBLY	4 & 5
ELECTRICAL COMPONENTS	6 & 7
PUMP, SUMP and HYDRAULIC SYSTEM	8 & 9
BASKET ASSEMBLIES	10 & 11
CONTROL PANEL	12 & 13
WIRING DIAGRAM, CIRCUIT DIAGRAM and LEGEND	14 - 16

NOTE: In Parts Listings

N.I. = Not Illustrated
 N.P.A. = No Part Available
 N.P.N. = Not Used on this Model

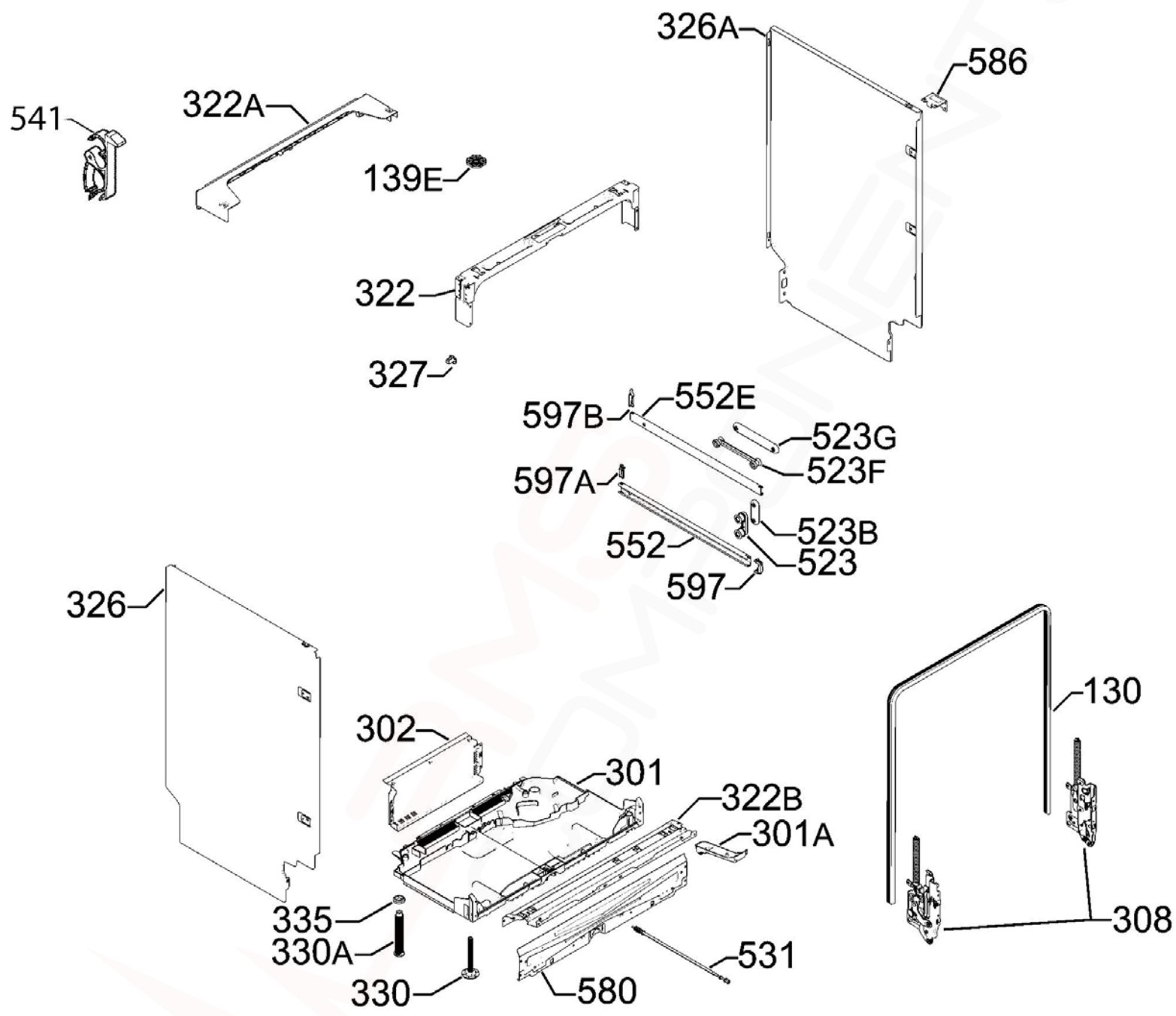


MODEL:

ESF8735ROX

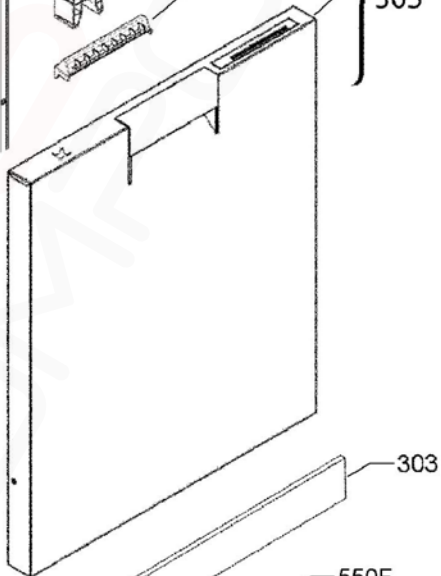
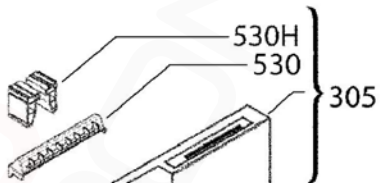
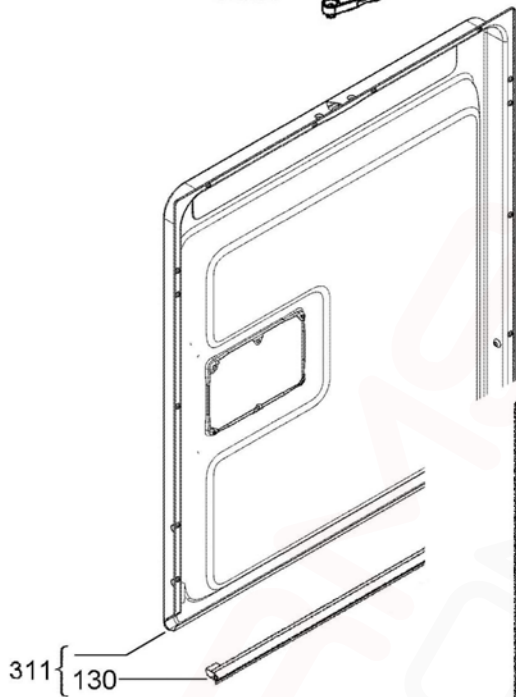
PNC:

911447323 00



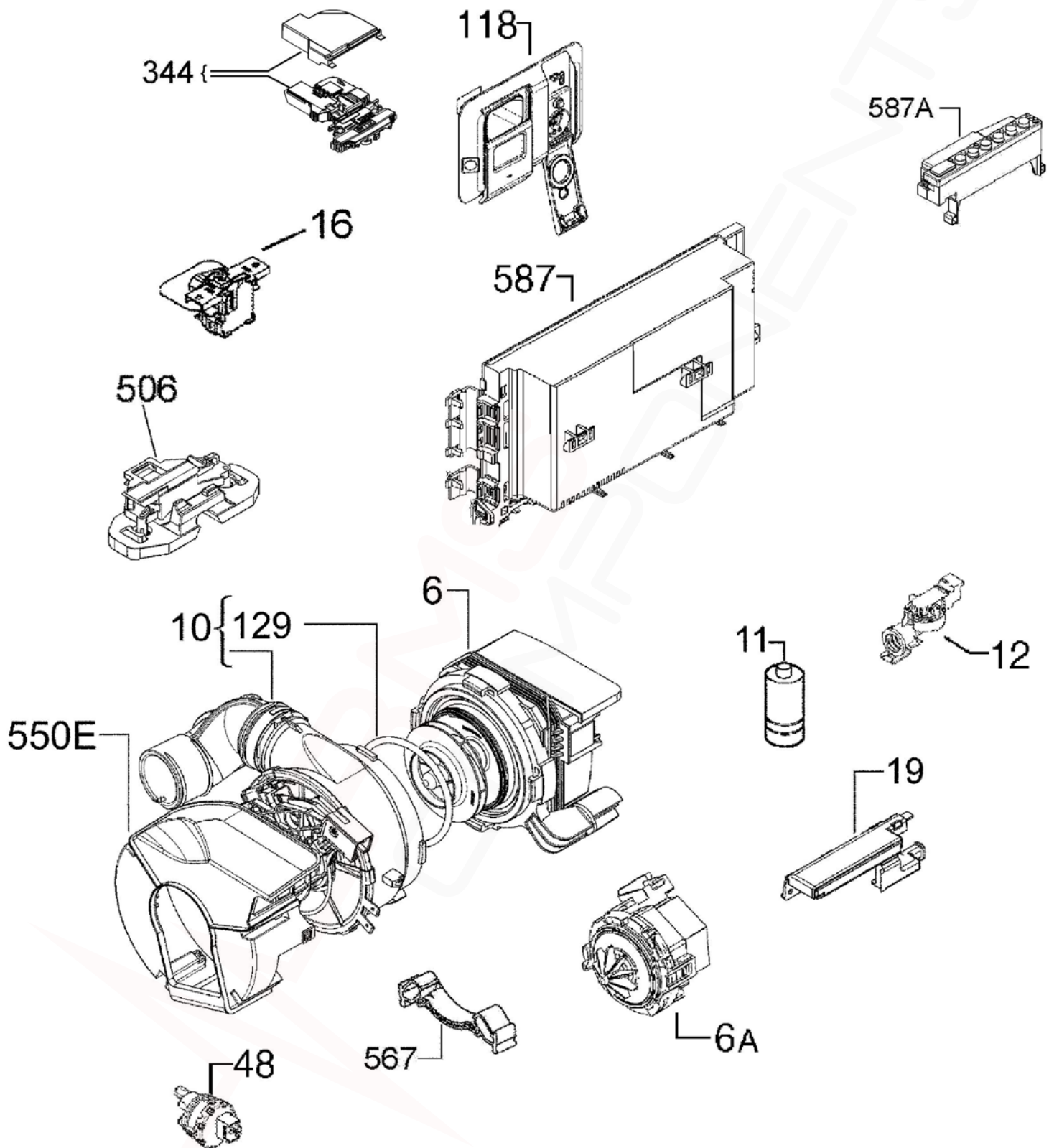
ITEM	PART N°	DESCRIPTION	Ex. P09113220672	QTY
130	1171580002	GASKET DOOR x1800mm		1
139E	8072403010	NUT FASTENING TOP SPRAY ARM		1
301	140000733158	TRAY BOTTOM SPILLAGE		1
301A	4055138376	KIT OVERFLOW HOSE		1
302	140000750020	COVER PCB METAL REAR		1
308	4055376893	KIT DOOR HINGE - LEFT/RIGHT		1
322	1171564832	BRACE UPPER FRONT		1
322A	1172379149	BRACE UPPER REAR		1
322B	1171561093	BRACE LOWER FRONT		1
326	1174320414	PANEL SIDE LEFT - ZINC PLATED		1
326A	1174320422	PANEL SIDE RIGHT - ZINC PLATED		1
327	1174277002	GROMMET SIDE MOUNT/DOOR GUIDE		4
330	1526617-02/0	LEG ADJUSTABLE FRONT x121mm		2
330A	1173632009	LEG ADJUSTABLE CENTRAL x129mm		1
335	1527142-00/2	COG LEG ADJUSTABLE CENTRAL		1
523	4055260790	SUPPORT ROLLER KIT (PKT 4)		1
523B	1521220-10/1	BRACKET ROLLER REAR STIFFENING		4
523F	4055261640	SUPPORT ROLLER KIT (PKT 4)		1
523G	140002047011	BRACKET ROLLER REAR STIFFENING		2
531	140000210041	SCREW ADJUSTING - FOOT CENTRAL		1
541	N.P.A.	CLAMP HOSE DOUBLE		X
552	1171989005	RAIL BASKET UPPER		2
552E	8070850014	RAIL CUTLERY TRAY TOP		2
580	3282054612	PANEL KICK FRONT LOWER		1
586	1172870014	BRACKET FIXING TOP		2
597	1520479419	STOP BASKET UPPER FRONT D/GREY		4
597A	6461234061	STOP BASKET UPPER REAR D/GREY		2
597B	8070707016	STOP BASKET UPPER REAR GREY		2
N.I.	4055306874	SCREW FIXING RAIL ROLLER		16

344A

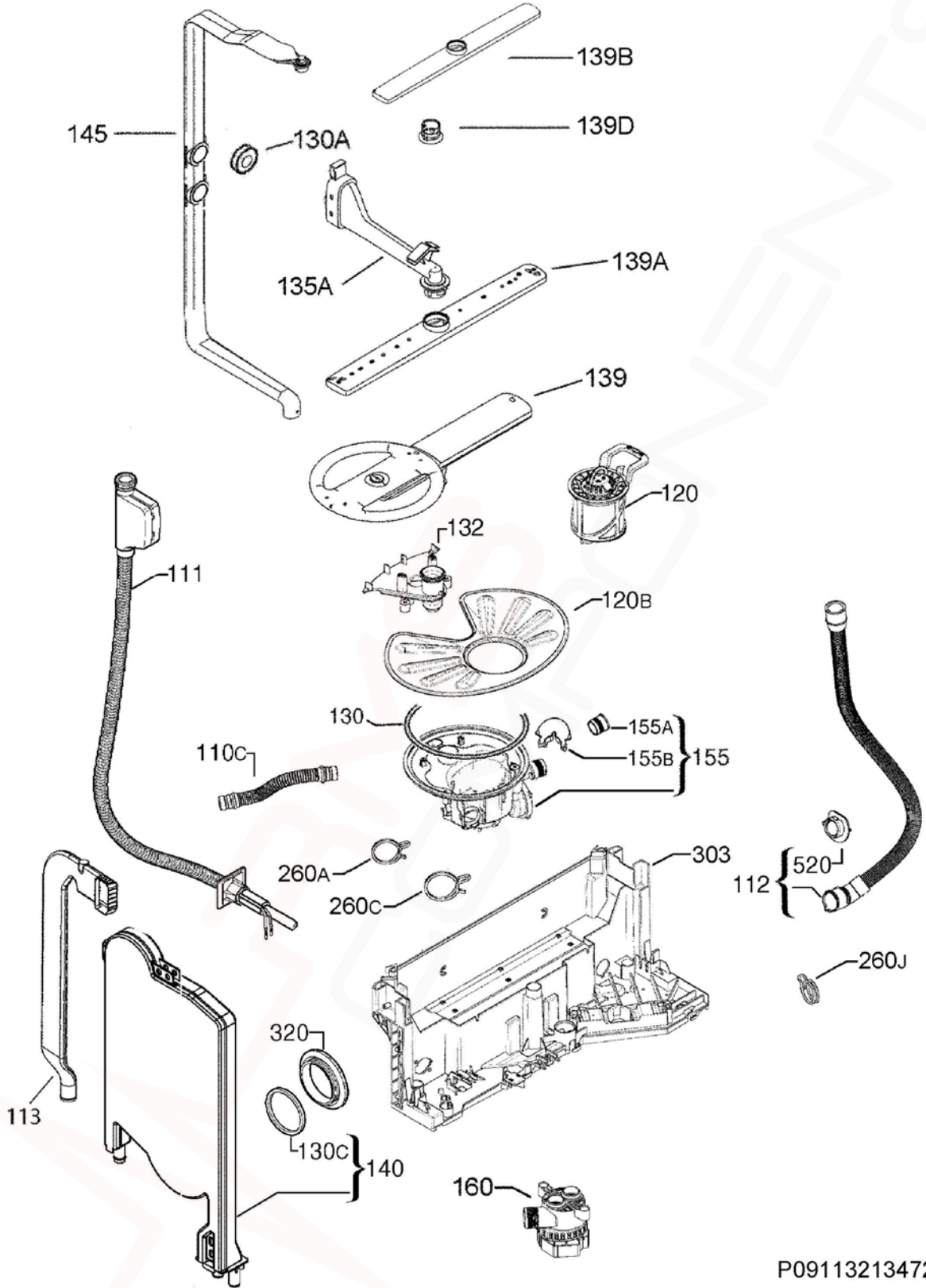


P09113218518

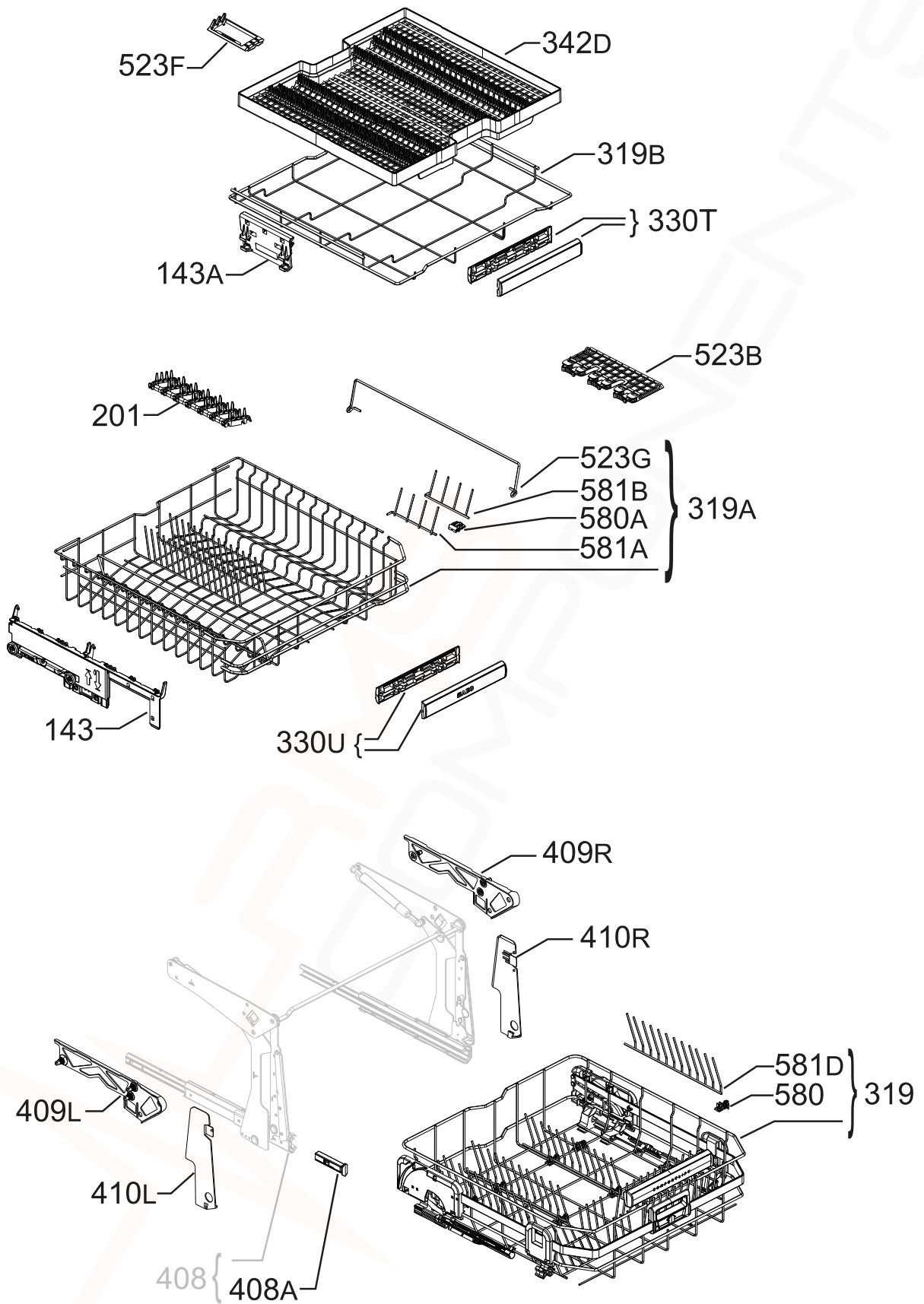
ITEM	PART N°	DESCRIPTION	Ex. P09113218518	QTY
130	1173419001	GASKET DOOR LOWER BLACK		1
303	1173238401	PLINTH METAL SLIDING		1
305	140116533021	PANEL OUTER DOOR COMPLETE INOX		1
311	3282100803	PANEL INNER DOOR ST/ST		1
344A	140035300072	LATCH DOOR - DIAMOND		1
530	8074598015	HANDLE DOOR - GREY		1
530H	4055275137	KIT SUPPORT HANDLE DOOR		1
550A	140030693059	STICK PLAS STEAM PROTECT 750mm		1
550F	1173962059	SUPPORT INDICATOR LAMP FLOOR		1
N.I.	140003555137	KIT MOUNTING BUILT IN		1
N.I.	4055275103	KIT SCREW ZC - 3.5 x 19 (2 PCS)		1
N.I.	8090544548	STICKER PROGRAMME DOOR INNER		1



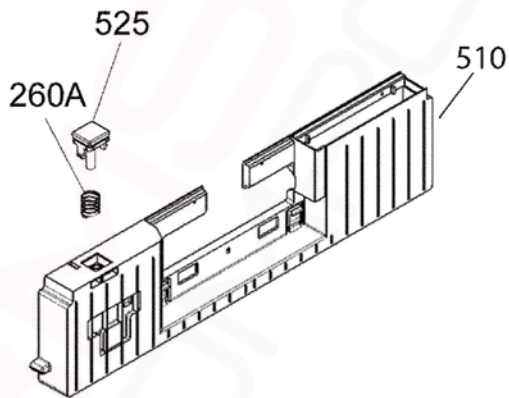
ITEM	PART N°	DESCRIPTION	Ex. P09113218534	QTY
6	140002240020	PUMP RECIRCULATION 90W		1
6A	140000604011	PUMP DRAIN BLDC COMP 50/60HZ		1
10	140002162190	HEATER WITH O-RING 230V/1800W		1
11	3286023506	CAPACITOR 0.47µF		1
12	140000554083	SENSOR PRESSURE SWITCH		1
16	1113337024	SWITCH MAIN AUTO OFF		1
19	1174528016	INDICATOR DOOR LAMP		1
48	140000401012	SENSOR TEMPERATURE TURBIDITY		1
118	140001303068	DISPENSER DETERGENT		1
129	140039688019	SEAL O-RING HEATER-PUMP RECIRC		1
344	4055392379	LATCH DOOR ASSY - AUTO OPENING		1
506	140000565048	SWITCH & FLOAT ASSY		1
550E	140002173031	COVER HEATER		1
567	1173024009	SUPPORT MOTOR RUBBER		1
587	973911447323008	BOARD PC CONFIGURED PB100		1
587A	8088245124	PCB USER INTERFACE EDW1953		1
N.I.	140030466084	CORD SERVICE AU 2.15M		1
N.I.	140034292122	HARNESS PCB – PUMP		1
N.I.	140062625011	HARNESS PCB – HEATER		1
N.I.	140062627017	HARNESS PCB – USER INTERFACE		1
N.I.	140064062015	HARNESS PCB - DOOR		1



ITEM	PART N°	DESCRIPTION	Ex. P09113213472	QTY
110C	14000059034	HOSE SUMP TO TANK x370mm		1
111	3286024439	HOSE INLET AQUA CONTROL 1800mm		1
112	140005633064	HOSE DRAIN x2340mm.		1
113	140006389047	CONTAINER CUP MINI		1
120	8075472269	FILTER DRAIN ASSEMBLY - FINE		1
120B	8084297046	FILTER FLAT + INDICATOR		1
130	1119186003	O-RING SUMP		1
130A	140000457014	GROMMET FEED UPPER SPRAY ARM		1
130C	50659231000	SEAL AIR CHAMBER		1
132	1119158176	SUPPORT SPRAY ARM LOWER DRK GR		1
135A	8070793057	CHANNEL FEED UPPER SPRAY ARM		1
139	1119208443	SPRAY ARM LOWER+SATELITE BLUE		1
139A	8083211071	SPRAY ARM BASKET UPPER GREY		1
139B	8073821053	SPRAY ARM CABINET TOP 3 RD		1
139D	8070358018	NUT LOCK SPRAY ARM UPPER 3 RD		1
140	1170481798	TANK SIDE AIR BREAK/FILL		1
145	8070897031	TUBE FEED SPRAY ARM UPPER&3 RD		1
155	140000494421	SUMP HYDRAULICS ASSY		1
155A	140000536015	VALVE NON-RETURN FLAP SUMP		1
155B	1119177010	TRAP SUMP PUMP DRAIN		1
160	140000012017	REGULATOR FLOW DIRECTION CNTRL		1
260A	8078689026	CLAMP CIRC PUMP FLOW REGULATOR		1
260C	8078689034	CLAMP CIRCULATION PUMP-SUMP		1
260J	8078689018	CLAMP DRAIN HOSE Ø30mm		1
303	N.P.A.	BRACE LOWER REAR		X
320	1526272214	VENT VAPOUR OUTLET		1
520	N.P.A.	PLUG DRAIN HOSE		X
N.I.	4055306866	SCREW SUPPORT SPRAY ARM LOWER		2



ITEM	PART N°	DESCRIPTION	Ex. P09113220257	QTY
143	8074857213	ROLLER BASKET ADJUSTMENT LH		1
	8074857221	ROLLER BASKET ADJUSTMENT RH		1
143A	140000081038	HOLDER TRAY CUTLERY		1
201	8074683072	SUPPORT SPIKES RUBBER BLUE		1
319	140019514045	BASKET LOWER ASSY COMFORT LIFT		1
319A	140002717043	BASKET DISH UPPER		1
319B	140000043053	FRAME TRAY CUTLERY UPPER		1
330T	4055383493	HANDLE CUTLERY TRAY		1
330U	4055383964	HANDLE BASKET UPPER		1
342D	140028992018	TRAY CUTLERY		1
408	N.P.A.	FRAME COMFORTLIFT ASSEMBLY		X
408A	140027018021	PLUG RAIL BASKET LOWER C/LIFT		1
409L	140048869014	SUPPORT HINGE COMFORT LIFT LH		1
409R	140048869022	SUPPORT HINGE COMFORT LIFT RH		1
410L	140027203037	COVER HINGE COMFORT LIFT LH		1
410R	140027203045	COVER HINGE COMFORT LIFT RH		1
523B	140000450035	SUPPORT CUP BASKET UPPER		1
523F	8072679098	INSERT KNIFE CUT TRAY BLUE		1
523G	8072611133	SUPPORT CUP WIRE - SILVER		1
580	8072828026	CLIP RACK FOLD DOWN BSKT LOWER		4
580A	140001417025	CLIP RACK FOLD DOWN BSKT UPPER		4
581A	8070657062	RACK FOLD DOWN BSKT UPPER LH		1
581B	8070658060	RACK FOLD DOWN BSKT UPPER RH		1
581D	140022277010	RACK FOLD DOWN BSKT LOWER		2



ITEM	PART N°	DESCRIPTION	Ex. P09113183536	QTY
260A	1174701001	SPRING BUTTON ON/OFF		1
510	8074597017	PANEL CONTROL - GREY		1
525	1174497014	BUTTON PUSH ON/OFF - INOX		1