



Electrolux

ELECTROLUX HOME PRODUCTS PTY LTD

ABN 51 004 762 341

Technical Publication N° DW1120

Issue: 1

Date: 02/19

ELECTROLUX

***DOMESTIC HOUSEHOLD
DISHWASHER WITH COMFORT LIFT***

MODEL

PNC

ESF8735RKX

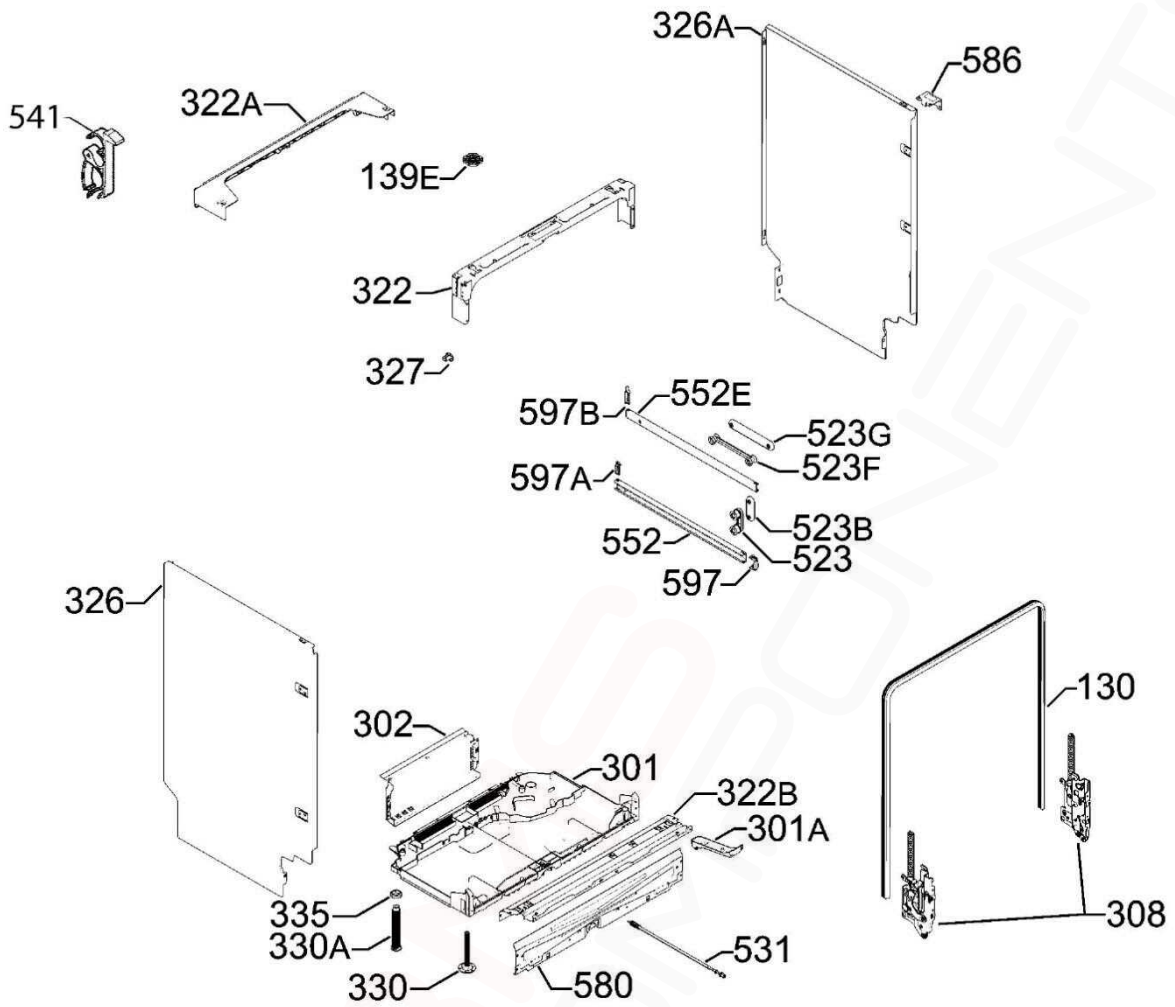
911447326 01

MAINTENANCE LEVEL CHANGE SUMMARY

ML	Description	Product Release Date
01	First Release	02/2019

MODEL: ESF8735RKX

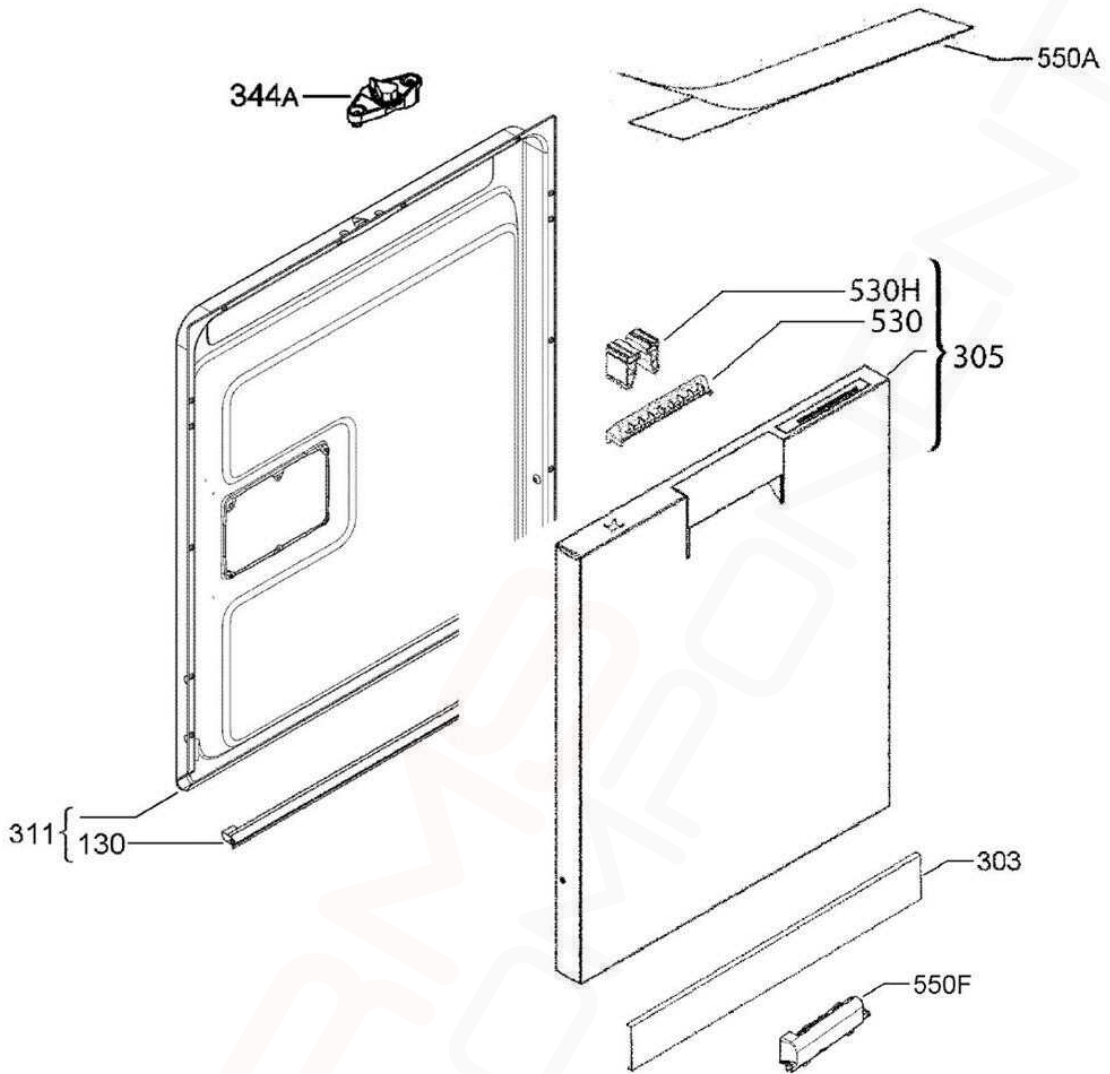
CABINET, BASE and ASSEMBLY



ITEM	PART N°	DESCRIPTION	Ex. P09113220672	QTY
130	1171580002	GASKET DOOR x1800mm		1
139E	8072403010	NUT FASTENING TOP SPRAY ARM		1
301	140000733182	TRAY BOTTOM SPILLAGE		1
301A	4055138376	KIT OVERFLOW HOSE		1
302	140000750020	COVER PCB METAL REAR		1
308	4055379244	KIT DOOR HINGE - LEFT/RIGHT-ado		1
322	1171564832	BRACE UPPER FRONT		1
322A	1172379149	BRACE UPPER REAR		1
322B	1171561093	BRACE LOWER FRONT		1
326	1174320414	PANEL SIDE LEFT - ZINC PLATED		1
326A	1174320422	PANEL SIDE RIGHT - ZINC PLATED		1
327	1174277002	GROMMET SIDE MOUNT/DOOR GUIDE		4
330	1526617-02/0	LEG ADJUSTABLE FRONT x121mm		2
330A	1173632009	LEG ADJUSTABLE CENTRAL x129mm		1
335	1527142-00/2	COG LEG ADJUSTABLE CENTRAL		1
523	4055260790	SUPPORT ROLLER KIT (PKT 4)		1
523B	1521220-10/1	BRACKET ROLLER REAR STIFFENING		4
523F	4055405684	SUPPORT ROLLER KIT (PKT 4)		1
523G	140002047011	BRACKET ROLLER REAR STIFFENING		2
531	140000210041	SCREW ADJUSTING - FOOT CENTRAL		1
541	N.P.A.	CLAMP HOSE DOUBLE		X
552	1171989005	RAIL BASKET UPPER		2
552E	8070850014	RAIL CUTLERY TRAY TOP		2
580	3282054612	PANEL KICK FRONT LOWER		1
586	1172870014	BRACKET FIXING TOP		2
597	1520479419	STOP BASKET UPPER FRONT D/GREY		4
597A	6461234061	STOP BASKET UPPER REAR D/GREY		2
597B	8070707016	STOP BASKET UPPER REAR GREY		2
N.I.	4055306874	SCREW FIXING RAIL ROLLER		16

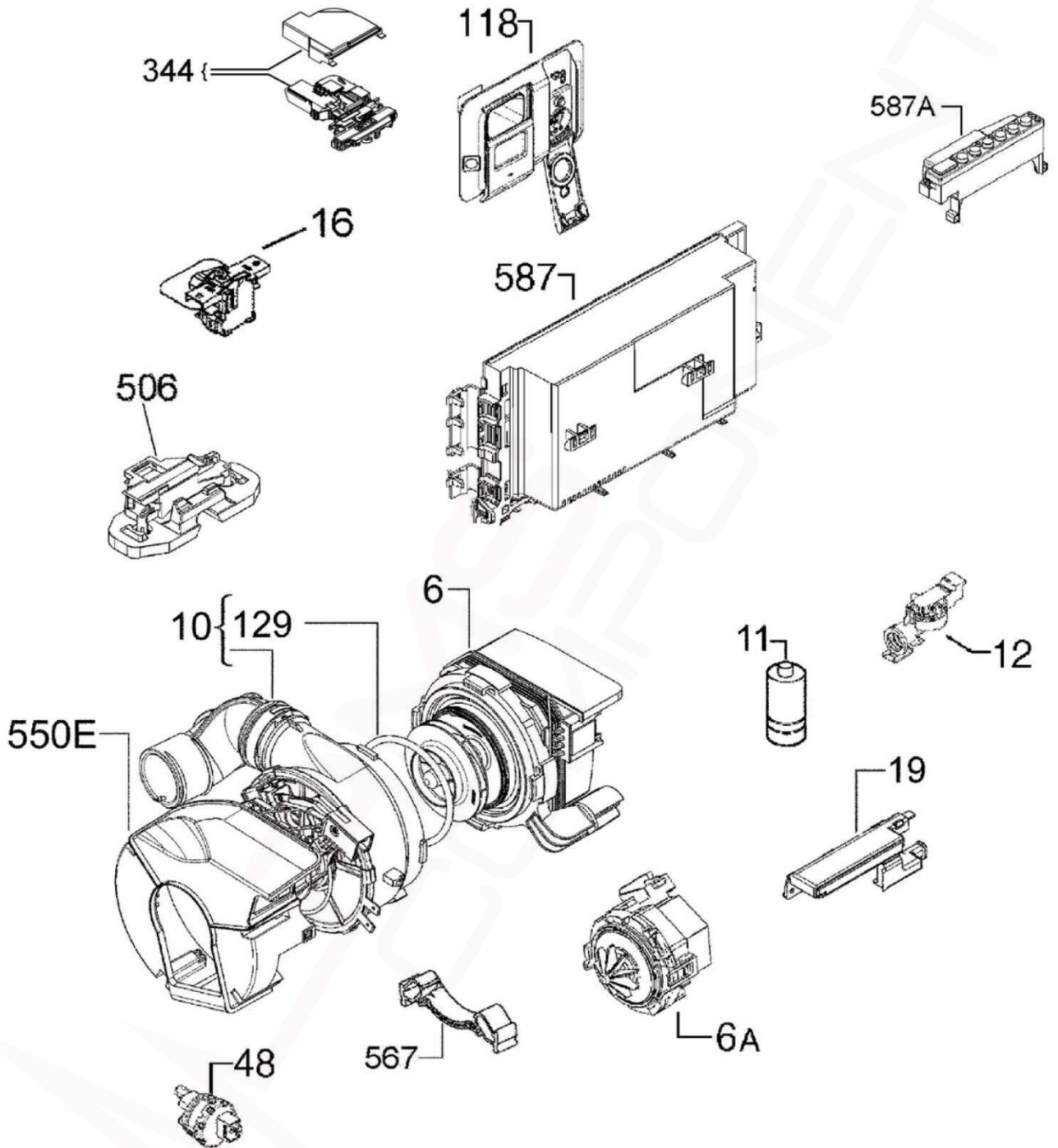
MODEL: ESF8735RKX

DOOR COMPLETE ASSEMBLY



ITEM	PART N°	DESCRIPTION Ex. P09113218518	QTY
130	140055636017	GASKET DOOR LOWER BLACK	1
303	1173238302	PLINTH METAL SLIDING	1
305	140116533062	PANEL OUTER DOOR COMPLETE BLACK	1
311	3282100811	PANEL INNER DOOR ST/ST	1
344A	140035300072	LATCH DOOR - DIAMOND	1
530	8074598015	HANDLE DOOR - GREY	1
530H	4055275137	KIT SUPPORT HANDLE DOOR	1
550A	140030693059	STICK PLAS STEAM PROTECT 750mm	1
550F	1173962059	SUPPORT INDICATOR LAMP FLOOR	1
N.I.	140003555137	KIT MOUNTING BUILT IN	1
N.I.	4055298329	KIT SCREW black - 3.5 x 19 (2 PCS)	1
N.I.	8090544548	STICKER PROGRAMME DOOR INNER	1

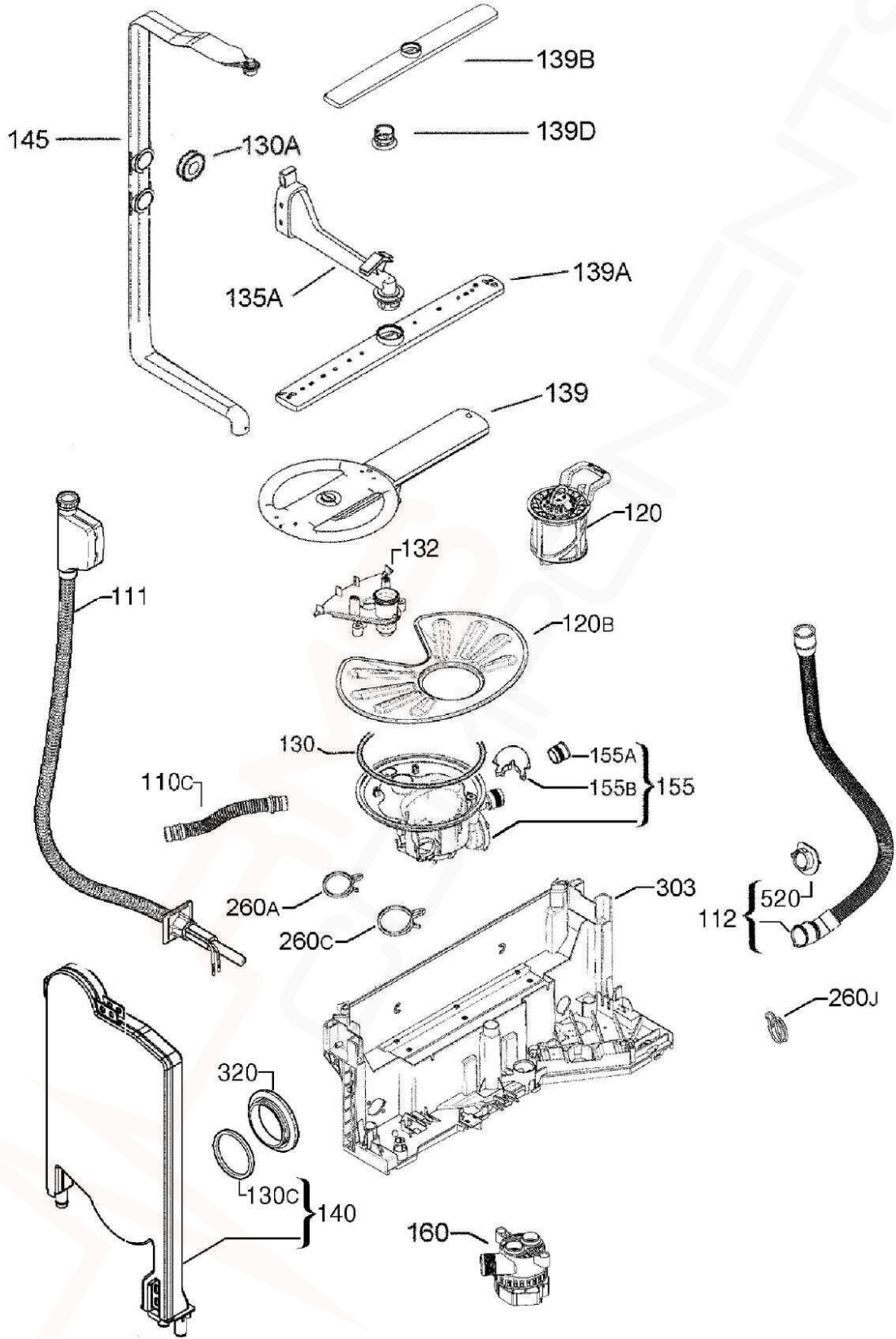
MODEL: ESF8735RKX
ELECTRICAL COMPONENTS



ITEM	PART N°	DESCRIPTION	Ex. P09113218534	QTY
6	140002240020	PUMP RECIRCULATION 90W		1
6A	140000604011	PUMP DRAIN BLDC COMP 50/60HZ		1
10	140002162190	HEATER WITH O-RING 230V/1800W		1
11	3286023506	CAPACITOR 0.47µF		1
12	140000554083	SENSOR PRESSURE SWITCH		1
16	1113337024	SWITCH MAIN AUTO OFF		1
19	1174528016	INDICATOR DOOR LAMP		1
48	140000401012	SENSOR TEMPERATURE TURBIDITY		1
118	140001303274	DISPENSER DETERGENT		1
129	140039688019	SEAL O-RING HEATER-PUMP RECIRC		1
344	4055392379	LATCH DOOR ASSY - AUTO OPENING		1
506	140000565048	SWITCH & FLOAT ASSY		1
550E	140002173031	COVER HEATER		1
567	1173024009	SUPPORT MOTOR RUBBER		1
587	973911447326019	PCB MAIN PROGRAMED PB101		1
587A	8088245124	PCB USER INTERFACE EDW1953		1
N.I.	140001945033	CORD SERVICE AU 2.15M		1
N.I.	140034292122	HARNESS PCB – PUMP		1
N.I.	8082747075	HARNESS PCB – HEATER		1
N.I.	140064062015	HARNESS PCB - DOOR		1

MODEL: ESF8735RKX

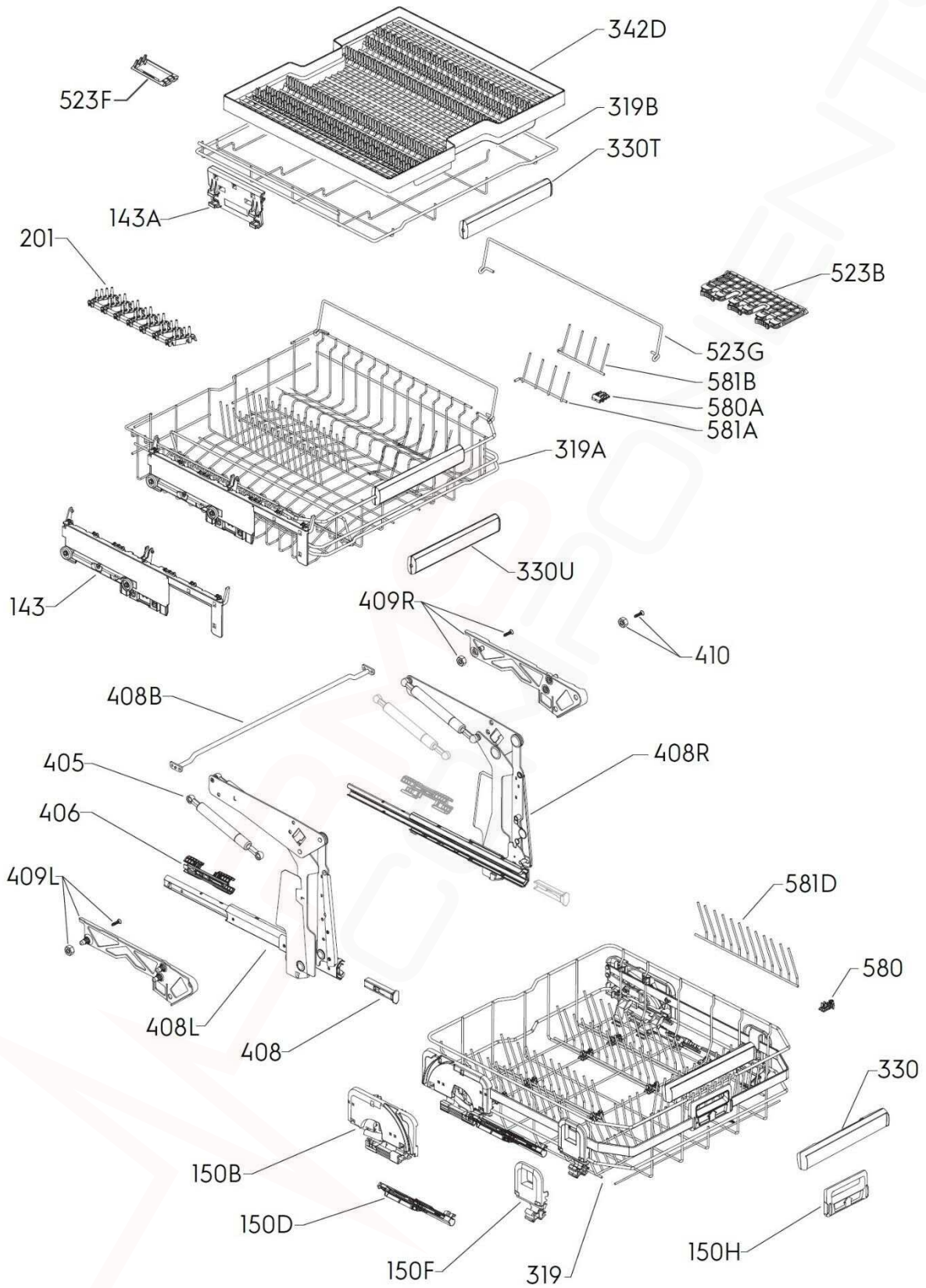
HYDRAULIC SYSTEM



ITEM	PART N°	DESCRIPTION	Ex. P09113213472	QTY
110C	14000059034	HOSE SUMP TO TANK x370mm		1
111	3286024439	HOSE INLET AQUA CONTROL 1800mm		1
112	140005633064	HOSE DRAIN x2340mm.		1
120	8075472269	FILTER DRAIN ASSEMBLY - FINE		1
120B	8084297046	FILTER FLAT + INDICATOR		1
130	1119186003	O-RING SUMP		1
130A	140000457014	GROMMET FEED UPPER SPRAY ARM		1
130C	50659231000	SEAL AIR CHAMBER		1
132	1119158176	SUPPORT SPRAY ARM LOWER DRK GR		1
135A	8070793057	CHANNEL FEED UPPER SPRAY ARM		1
139	1119208443	SPRAY ARM LOWER+SATELITE BLUE		1
139A	8083211121	SPRAY ARM BASKET UPPER GREY		1
139B	8073821053	SPRAY ARM CABINET TOP 3 RD		1
139D	8070358018	NUT LOCK SPRAY ARM UPPER 3 RD		1
140	1170481798	TANK SIDE AIR BREAK/FILL		1
145	8070897031	TUBE FEED SPRAY ARM UPPER&3 RD		1
155	140000494421	SUMP HYDRAULICS ASSY		1
155A	140000536015	VALVE NON-RETURN FLAP SUMP		1
155B	1119177010	TRAP SUMP PUMP DRAIN		1
160	140000012017	REGULATOR FLOW DIRECTION CNTRL		1
260A	8078689026	CLAMP CIRC PUMP FLOW REGULATOR		1
260C	8078689034	CLAMP CIRCULATION PUMP-SUMP		1
260J	8078689018	CLAMP DRAIN HOSE Ø30mm		1
303	N.P.A.	BRACE LOWER REAR		X
320	1526272214	VENT VAPOUR OUTLET		1
520	N.P.A.	PLUG DRAIN HOSE		X
N.I.	4055306866	SCREW SUPPORT SPRAY ARM LOWER		1

MODEL: ESF8735RKX

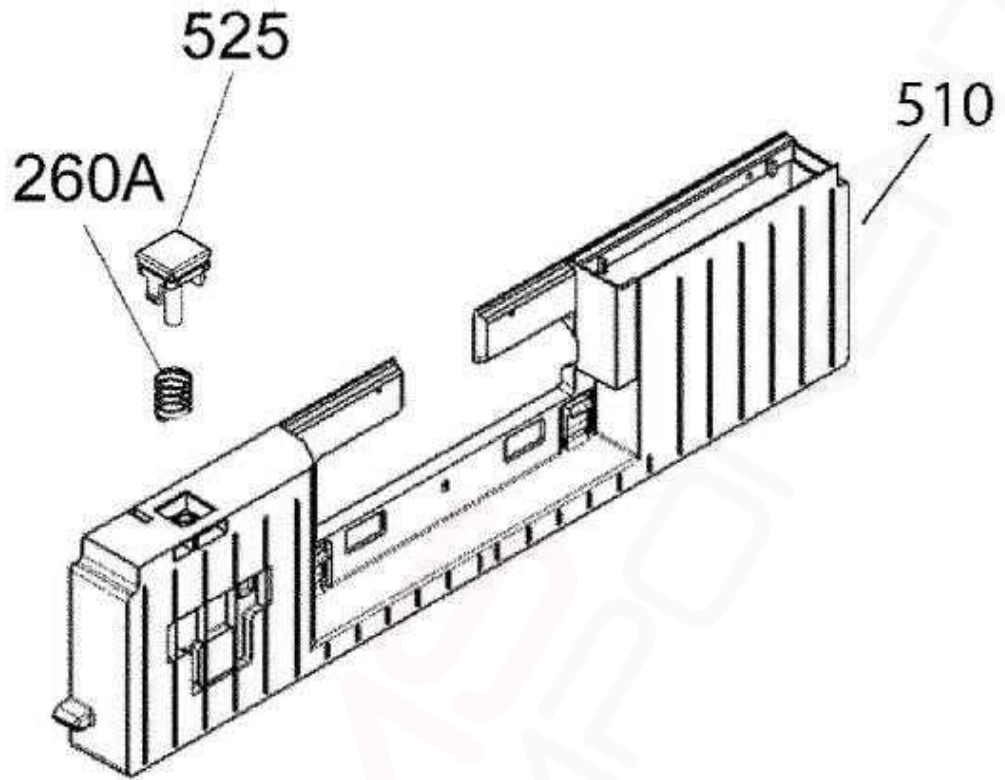
BASKET ASSEMBLIES



ITEM	PART N°	DESCRIPTION Ex. P09113220257	QTY
143	4055401329	ADJUSTMENT KIT UPPER BASKET(L+R)	1
143A	140000081038	HOLDER TRAY CUTLERY	2
150B	4055401261	BRACKET,KIT,LEFT-RIGHT,COMFORTLIFT	1
150D	4055401212	CLOSING DEVICE,KIT,LH+RH,COMFORTLIFT	1
150F	4055401220	BRACKET,KIT,FRONT,COMFORTLIFT	1
150H	4055401154	HANDLE,TRIGGER,KIT,COMFORTLIFT	1
201	8074683072	SUPPORT SPIKES RUBBER BLUE	1
319	140019514045	BASKET LOWER ASSY COMFORT LIFT	1
319A	4055409827	BASKET DISH UPPER	1
319B	140000043053	FRAME TRAY CUTLERY UPPER	1
330	4055401170	HANDLE,KIT,COMFORTLIFT	1
330T	4055383493	HANDLE CUTLERY TRAY	1
330U	4055383964	HANDLE BASKET UPPER	1
342D	140028992018	TRAY CUTLERY	1
408	140027018039	STOPPER,BASKET RAIL,COMFORTLIFT	1
408B	4055401113	ROD,BASKET,KIT,COMFORT LIFT	1
408L	4055401279	HINGE,KIT,LEFT,COMFORTLIFT	1
408R	4055401287	HINGE,KIT,RIGHT,COMFORTLIFT	1
409L	4055401303	SUPPORT HINGE COMFORT LIFT LH	1
409R	4055401311	SUPPORT HINGE COMFORT LIFT RH	1
410	4055401295	HINGE SUPPORT,MOUNTING KIT,6X	1
523B	140000450035	SUPPORT CUP BASKET UPPER	1
523F	8072679098	INSERT KNIFE CUT TRAY BLUE	1
523G	8072611133	SUPPORT CUP WIRE - SILVER	1
580	8072828026	CLIP RACK FOLD DOWN BSKT LOWER	4
580A	140001417025	CLIP RACK FOLD DOWN BSKT UPPER	4
581A	8070657062	RACK FOLD DOWN BSKT UPPER LH	1
581B	8070658060	RACK FOLD DOWN BSKT UPPER RH	1
581D	140022277010	RACK FOLD DOWN BSKT LOWER	2

MODEL: ESF8735RKX

CONTROL PANEL



ITEM	PART N°	DESCRIPTION Ex. P09113183536	QTY
260A	1174701001	SPRING BUTTON ON/OFF	1
510	8074597017	PANEL CONTROL - GREY	1
525	1174497063	BUTTON PUSH ON/OFF - BLACK	1