

***ELECTROLUX***

***DOMESTIC HOUSEHOLD***

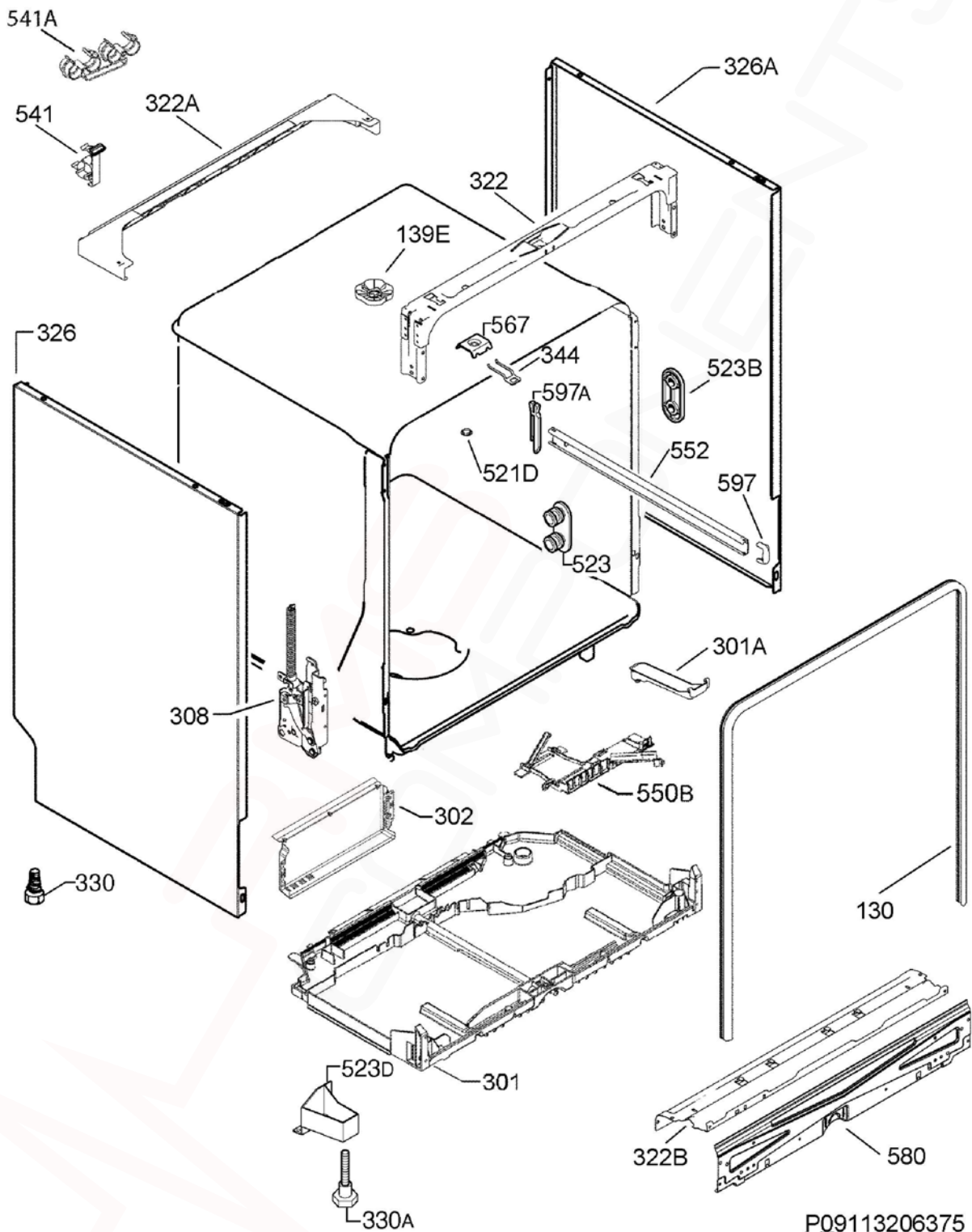
***BUILT UNDER DISHWASHER***

CONTENTS	PAGE Nº
CABINET and BASE ASSEMBLY	2 & 3
DOOR ASSEMBLY	4 & 5
ELECTRICAL COMPONENTS	6 & 7
PUMP, SUMP and HYDRAULIC SYSTEM	8 & 9
CONTROL PANEL and WORKTOP ASSEMBLY	10 & 11
BASKET ASSEMBLY	12 & 13
AFTER MARKET ACCESSORIES	14
WIRING DIAGRAM, LEGEND and CIRCUIT DIAGRAM	15 - 17

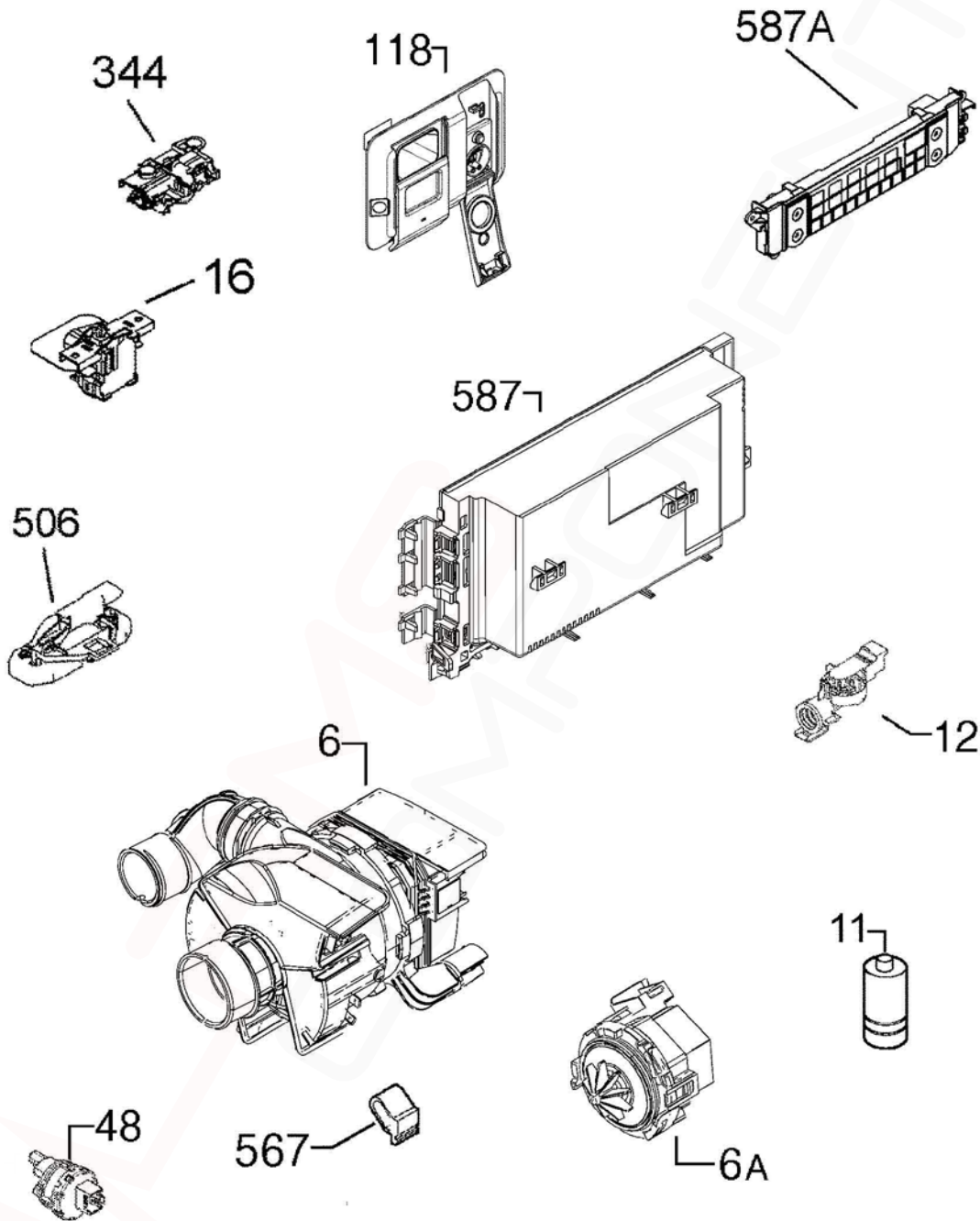
**NOTE: In Parts Listings**

N.I. = Not Illustrated  
N.P.A. = No Part Available  
N.P.N. = Not Used on this Model

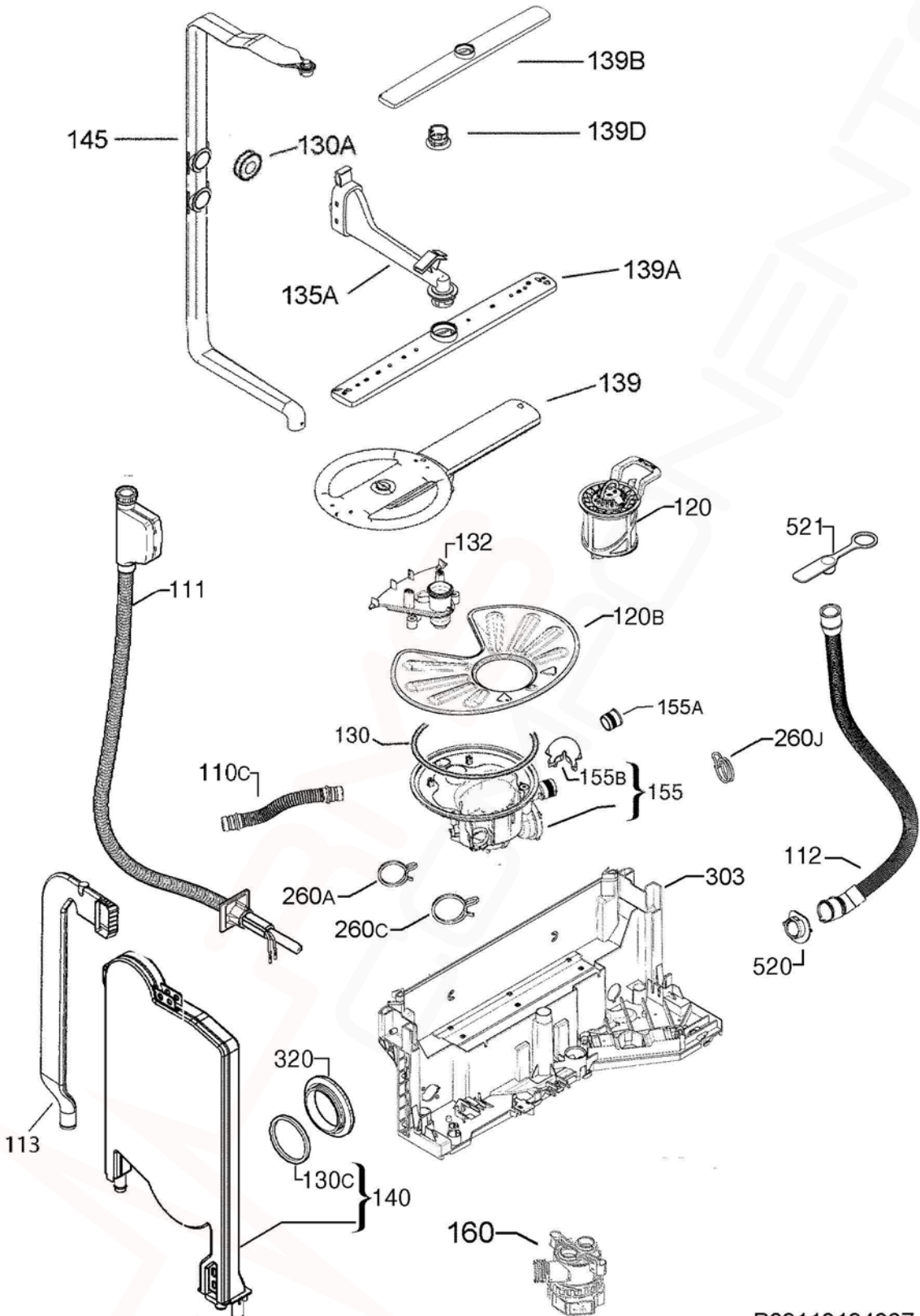
**MODEL:****ESF8725ROX****PNC:****911417318 00**



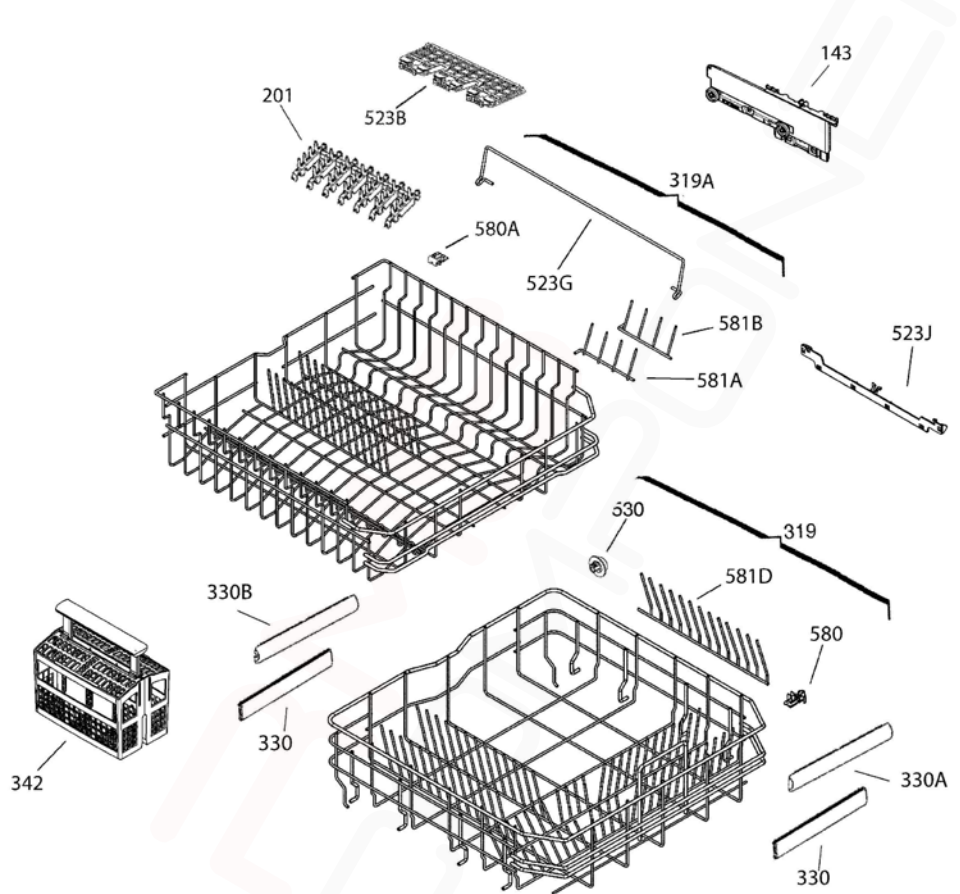
ITEM	PART N°	DESCRIPTION	EX. P09113206375	QTY
130	<b>1171580002</b>	GASKET DOOR x 1800mm		1
139E	<b>8072403010</b>	NUT FASTENING TOP SPRAY ARM		1
301	<b>140000733125</b>	TRAY BOTTOM SPILLAGE - BLK		1
301A	<b>4055138376</b>	KIT OVERFLOW HOSE		2
302	<b>140000750020</b>	COVER PCB REAR		1
308	<b>4055179909</b>	KIT DOOR HINGE LEFT/RIGHT		1
322	<b>1171564733</b>	BRACE FRONT UPPER		1
322A	<b>1172379149</b>	BRACE REAR UPPER		1
322B	<b>1171561093</b>	BRACE FRONT LOWER		1
326	<b>1173606755</b>	PANEL SIDE LEFT - INOX		1
326A	<b>1173606763</b>	PANEL SIDE RIGHT - INOX		1
330	<b>1521870-01/2</b>	FOOT ADJUSTABLE		2
330A	<b>1527992026</b>	FOOT ADJUSTABLE FRONT x 60mm		2
344	<b>1522344-05/8</b>	LATCH DOOR LOCK		1
521D	<b>1526576101</b>	COVER LATCH HOLE		1
523	<b>4055260790</b>	SUPPORT ROLLER KIT (PKT 4)		1
523B	<b>1521220-10/1</b>	BRACKET ROLLER REAR SIFFENING		4
523D	<b>1172460196</b>	FOOT SUPPORT FRONT RIGHT		2
523D	<b>1172460204</b>	FOOT SUPPORT FRONT LEFT		2
541	<b>N.P.A.</b>	CLAMP HOSE		-
541A	<b>N.P.A.</b>	CLAMP HOSE DOUBLE		-
550B	<b>1171864042</b>	COVER WIRING HARNESS		1
552	<b>1171989005</b>	RAIL BASKET UPPER		2
567	<b>1523236-03/0</b>	NUT SPEED CLIP		1
580	<b>3282054604</b>	CLOSURE FRONT BOTTOM		1
597	<b>1520479419</b>	STOP BASKET UPPER FRONT D/GREY		2
597A	<b>6461234061</b>	STOP BASKET UPPER REAR D/GREY		2
N.I.	<b>1174277002</b>	GROMMET SIDE MOUNT/DOOR GUIDE		4
N.I.	<b>4055306874</b>	SCREW FIXING RAIL ROLLER		2



ITEM	PART N°	DESCRIPTION	EX. P09113178392	QTY
6	140002239071	PUMP RE-CIRC/HEATER COMPLETE		1
6A	140000604011	PUMP DRAIN BLDC COMP 50/60Hz		1
11	140009467014	CAPACITOR INTERFACE 0.47μF		1
12	140000554067	SWITCH PRESSURE		2
16	1113337024	SWITCH MAIN AUTO OFF		1
48	140000401012	SENSOR TEMPERATURE TURBIDITY		1
118	140001303084	DISPENSER DETERGENT AEG		1
344	1113150401	LOCK DOOR		1
506	140000565048	SWITCH & FLOAT ASSY		1
567	1171934019	SUPPORT BRACKET MOTOR RUBBER		1
587	140000406243	BOARD PC UNPROGRAMMED PB100		1
587	973911417318004	BOARD PCB CONFIGURED MAIN PB100		1
587A	1380039253	BOARD USER INTERFACE		1
N.I.	140001314420	HARNESS PCB - PUMP		1
N.I.	140030466084	CORD SERVICE AU 2.15M		1
N.I.	8070617140	HARNESS PCB - DOOR		1
N.I.	8082422067	HARNESS PCB.INT/FACE CAP x 440mm		
N.I.	8082747042	HARNESS PCB. HEATER		1



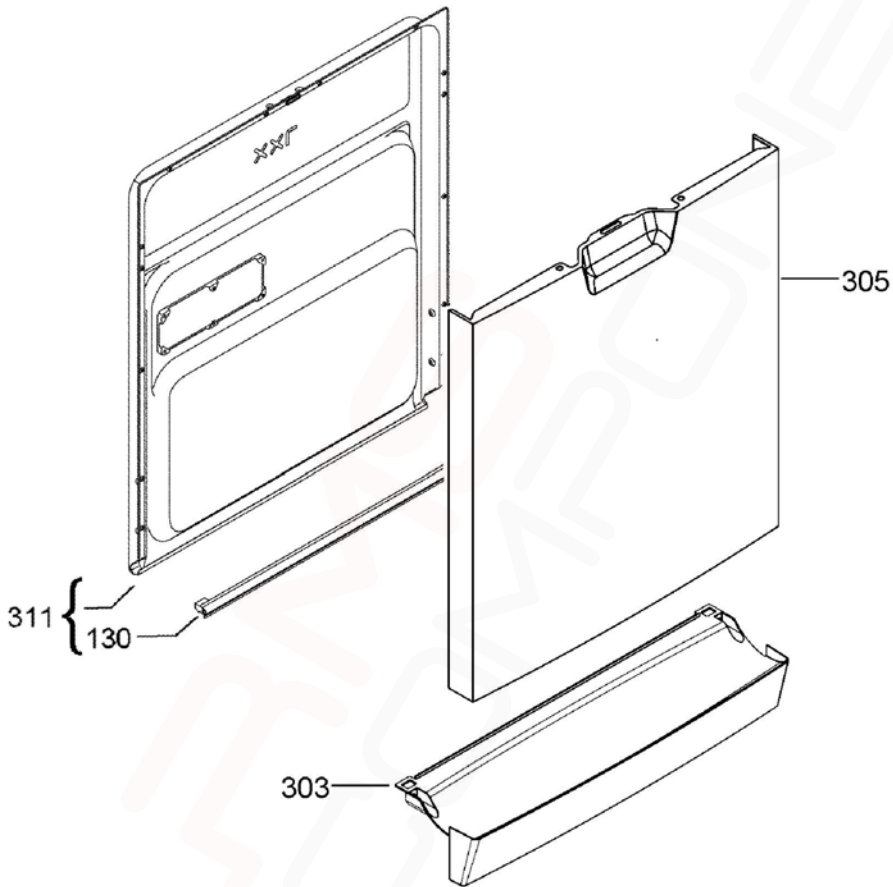
ITEM	PART N°	DESCRIPTION	EX. P09113194367	QTY
110C	140000059034	HOSE SUMP TO WATER SOFT x 370mm		1
111	4055125068	HOSE INLET WATER BLOCK x 1800mm		1
112	140005633056	HOSE DRAIN x 2240mm		1
113	140006389047	CONTAINER CUP MINI		2
120	8075472178	FILTER DRAIN ASSEMBLY - FINE		1
120B	1119209045	FILTER FLAT		1
130	1119186003	O-RING SUMP		1
130A	140000457014	GROMMET FEED UPPER SPRAY ARM		1
130C	50659231-00/0	SEAL AIR CHAMBER		1
132	1119158176	SUPPORT SPRAY ARM LOWER DRK GR		1
135A	8070793057	CHANNEL FEED UPPER SPRAY ARM		1
139	1119208369	SPRAY ARM LOWER		2
139A	8083211055	SPRAY ARM UPPER BASKET		1
139B	8073821053	SPRAY ARM TOP 3 <sup>RD</sup>		1
139D	8070358018	NUT LOCK SPRAY ARM UPPER 3 <sup>RD</sup>		1
140	1170481764	CONTAINER CUP SMALL		1
145	8070897031	TUBE FEED SPRAY ARM UPPER & 3 <sup>RD</sup>		1
155	140000494280	SUMP WATER ASSEMBLY		1
155A	140000536015	VALVE NON-RETURN FLAP SUMP		1
155B	1119177010	TRAP SUMP PUMP DRAIN		1
160	140000012017	REGULATOR FLOW CONTROL		1
260A	8078689026	CLAMP CIRC PUMP FLOW REGULATOR		1
260C	8078689034	CLAMP CIRCULATION PUMP-SUMP		1
260J	8078689018	CLAMP DRAIN HOSE Ø30mm		1
303	140000732069	BRACE REAR LOWER		1
320	1526272214	VENT VAPOUR OUTLET		1
520	8072019014	CLAMP COLLAR DRAIN HOSE		1
521	N.P.A.	PLUG DRAIN HOSE		-
N.I.	4055306866	SCREW SUPPORT SPRAY ARM LOWER		



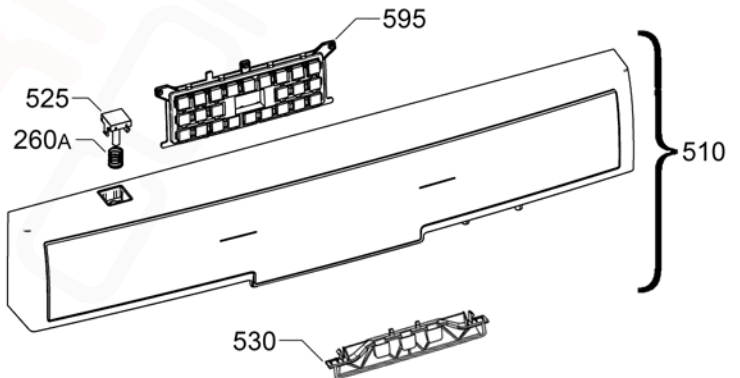
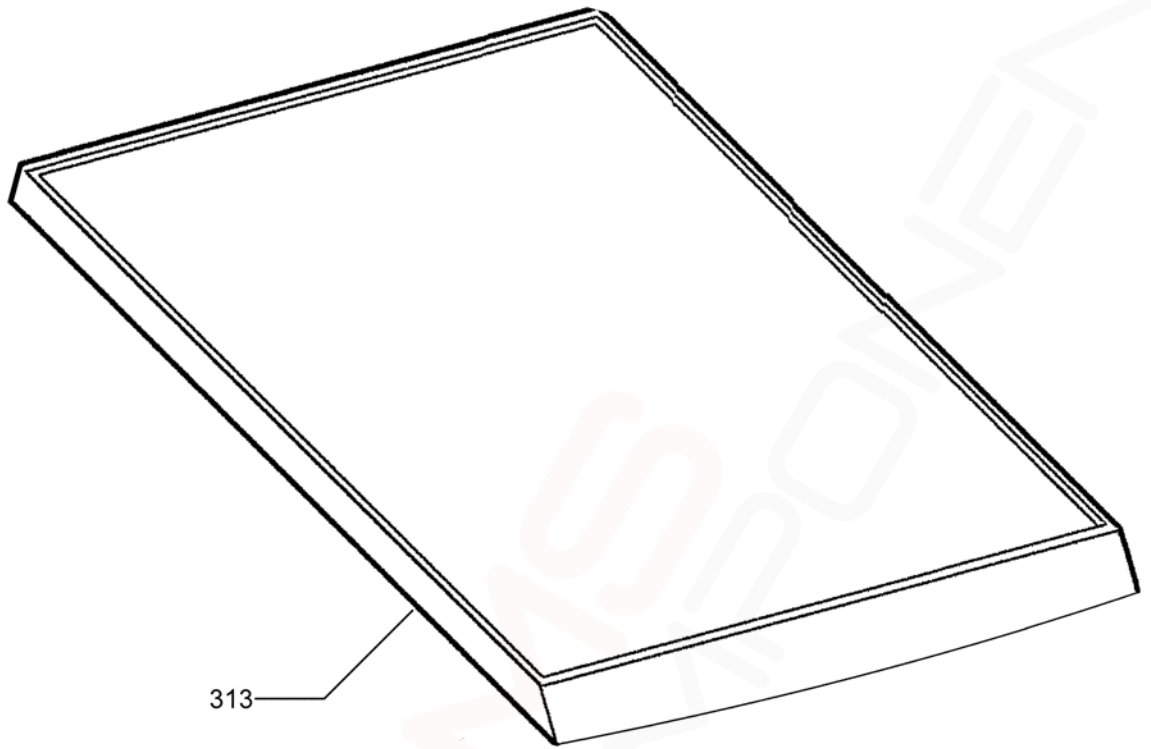
P09113181066



ITEM	PART N°	DESCRIPTION	EX. P09113181066	QTY
143	<b>8074857296</b>	ROLLER BASKET QUIK LIFT RIGHT		1
	<b>8074857304</b>	ROLLER BASKET QUIK LIFT LEFT		1
201	<b>ACC088</b>	SUPPORT SPIKES RUBBER - GREY		4
319	<b>140002678070</b>	BASKET DW LOWER INCL. ROLLERS		1
319A	<b>140002717050</b>	BASKET DW UPPER		1
330	<b>140002120073</b>	HANDLE BASKET FRONT LOWER ELUX		1
	<b>140002120131</b>	HANDLE BASKET FRONT UPPER		1
330A	<b>140002121048</b>	HANDLE BASKET REAR LOWER		1
330B	<b>140002121030</b>	HANDLE BASKET REAR UPPER		1
342	<b>140001732035</b>	BASKET CUTLERY - GREY		1
523B	<b>140000450068</b>	SUPPORT CUP - GREY		4
523G	<b>8072611133</b>	SUPPORT CUP WIRE - SILVER		1
523J	<b>8081381017</b>	BRACE SUPPORT CUP HOLDER - GREY		1
530	<b>4055072138</b>	ROLLER KIT LOWER BSKT (PKT 8)		1
580	<b>8072828026</b>	CLIP RACK FOLD DOWN BSKT LOWER		4
580A	<b>140001417025</b>	CLIP RACK FOLD DOWN BSKT UPPER		4
581A	<b>8070657062</b>	RACK FOLD DOWN BSKT UPPER LH		1
581B	<b>8070658060</b>	RACK FOLD DOWN BSKT UPPER RH		1
581D	<b>140002411068</b>	RACK FOLD DOWN BSKT LOWER		2



<b>ITEM</b>	<b>PART N°</b>	<b>DESCRIPTION</b>	<b>EX. P09113082772</b>	<b>QTY</b>
130	<b>1173419001</b>	GASKET DOOR LOWER BLACK		1
303	<b>1173371228</b>	PLINTH SILVER		1
305	<b>1173369214</b>	DOOR OUTER ST/ST INOX		1
311	<b>140001308042</b>	PANEL DOOR INNER ST/ST DOROTEA		1



<b>ITEM</b>	<b>PART N°</b>	<b>DESCRIPTION</b>	<b>EX. P09113170728</b>	<b>QTY</b>
260A	<b>1173192004</b>	SPRING ON/OFF BUTTON		1
313	<b>1173175108</b>	WORKTOP SILVER		1
510	<b>8088523108</b>	PANEL CONTROL INOX ESF8725ROX		1
525	<b>1174181204</b>	BUTTON PUSH ON/OFF		1
530	<b>1174184109</b>	HANDLE CNTL PNL GREY		1
595	<b>1174409019</b>	SUPPORT DIFFUSER		1

**DISHWASHER  
ACCESSORY COMPONENTS**



ITEM	PART N°	DESCRIPTION
1	ACC017	Scalex Plus Descaler Sachet 75gm
2	ACC100	Detergent Dishwasher 1kg
3	ACC102	Rinse Aid Additive 500mls
4	ACC103	Descaler Powder 350g <b>(Dangerous Goods rules apply, min order Qty of 12)</b>
5	ACC002	Dishwasher Salt 1kg Pack
6	ACC088	Support Spikes Rubber – Grey
N.I.	ACC107	Basket Cutlery Universal
N.I.	0571400142	Hose Drain Extension Straight Cuffs 2m
N.I.	ES5323K	Hose Drain Extension Kit (1M Length)