



ELECTROLUX HOME PRODUCTS PTY LTD
ABN 51 004 762 341

Technical Publication N° DW264

Issue: 1
Date: 07/10

WEB SITE ADDRESS: www.partnship.com.au

ELECTROLUX
HOUSEHOLD DISHWASHER

TO BE USED IN CONJUNCTION WITH
CIRCUIT and WIRING DIAGRAM PUBLICATION - DW230

MODEL:

ESF68040X
PNC 911918613 02

VARIANT CHANGE SUMMARY	
02	Kit Door Hinge, Trimming Tub Black, Detergent Dispenser, PCB, Sump Pipe Union, Upper Basket, Insert lower Basket & Wheel Upper Basket

Release Date:	
ESF68040X/911918613 02	23/12/2009

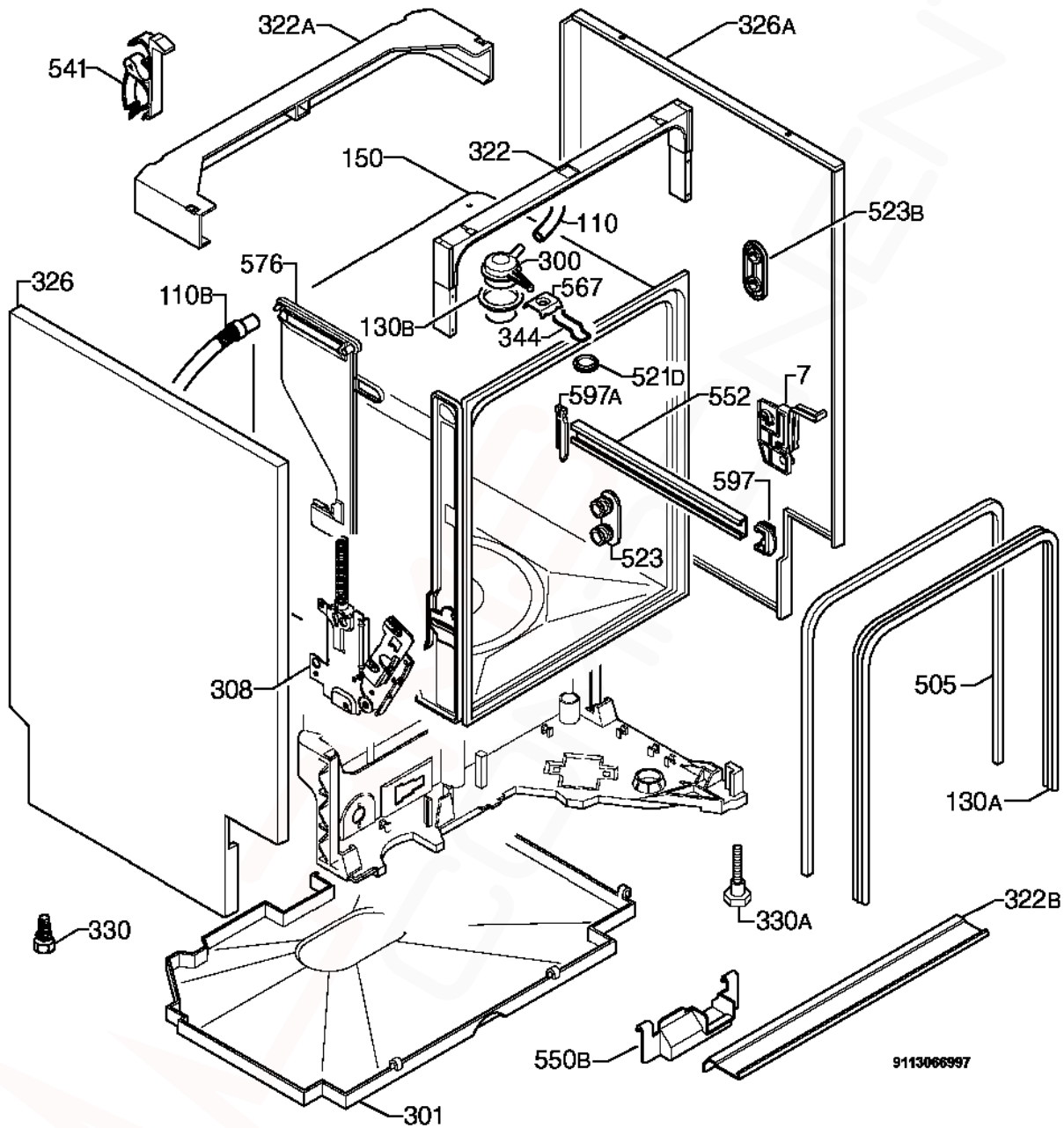
CONTENTS	PAGE N°
VARIANT CHANGE SUMMARY and RELEASE DATE	2
CONTENTS	3
CABINET and BASE ASSEMBLY	4 & 5
DOOR ASSEMBLY	6 & 7
ELECTRICAL COMPONENTS	8 & 9
PUMP, SUMP and HYDRAULIC SYSTEM	10 & 11
REGENERATION TANK ASSEMBLY	12 & 13
WORK TOP and CONTROL PANEL ASSEMBLY	14 & 15
BASKET ASSEMBLY	16 & 17
GENERAL CHARACTERISTICS and CONTROL PANEL	18 & 19
SETTING THE WATER HARDNESS	20
COMPONENT TEST MEASUREMENT POINTS	21
ALARM CODES	22 & 23
ACCESSING DIAGNOSTIC MODE and READING ALARMS (EDW2500)	24
CANCELLING ALARM CODES FROM MEMORY (LED TESTING)	25
OPTIONS AVAILABLE TO SERVICE TECHNICIANS	26 & 27

NOTE: In Parts Listings

N.I. = Not Illustrated

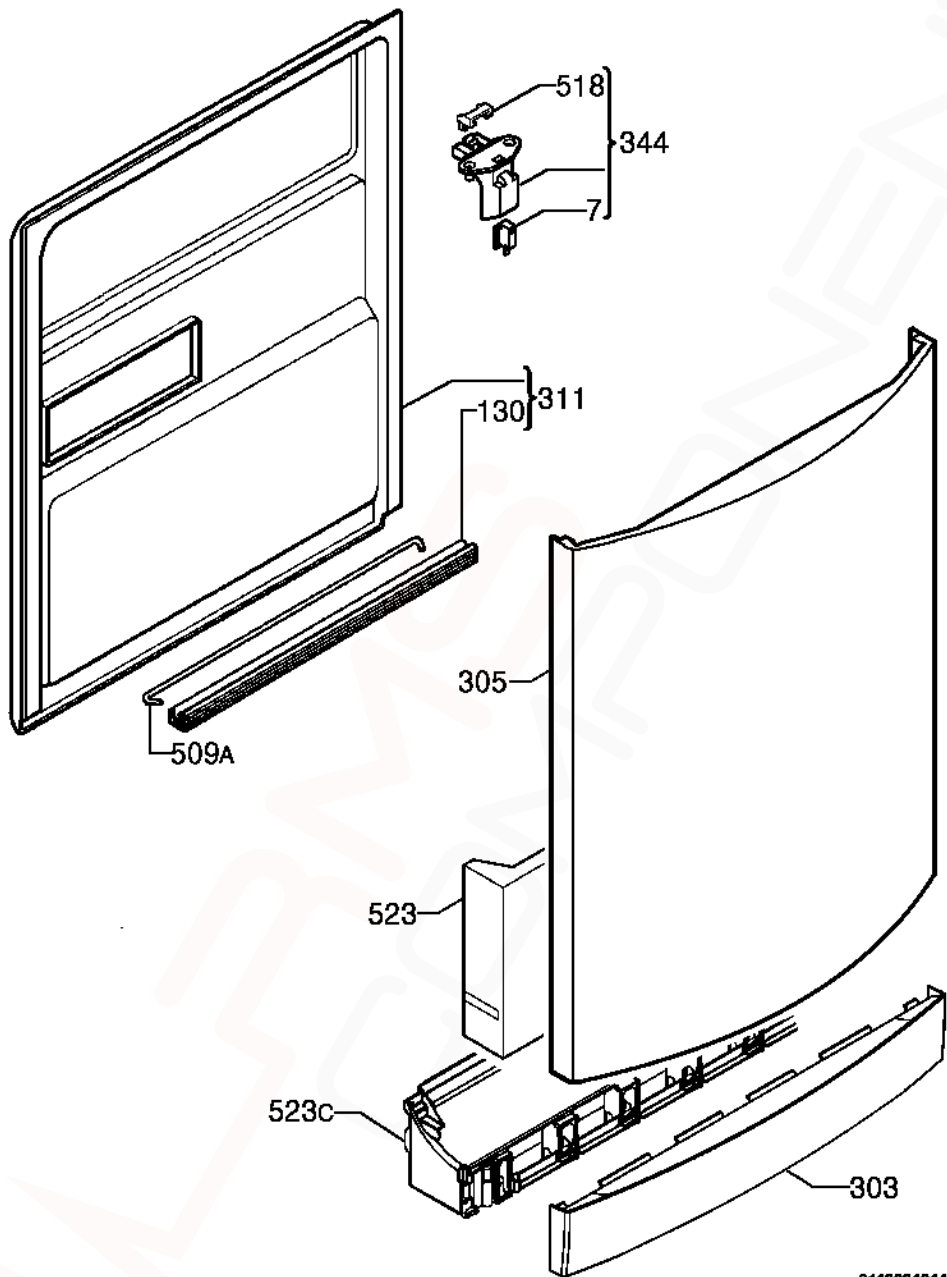
N.P.A. = No Part Available

N.P.N. = Not Used on this Model

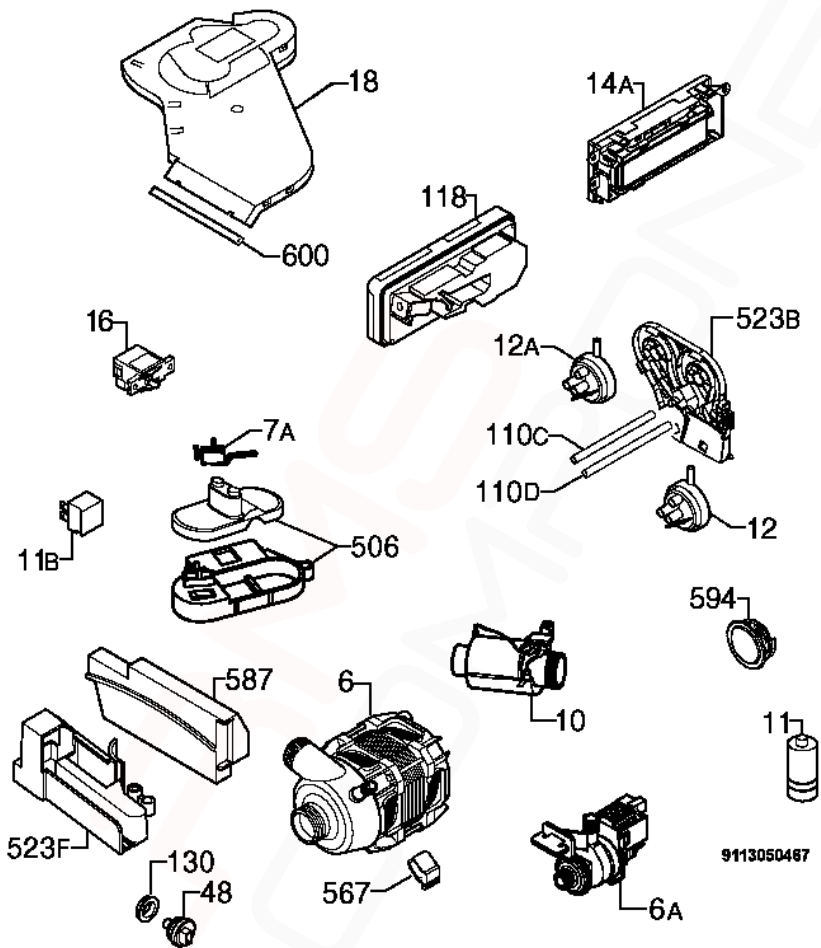


9113066997

ITEM	PART N°	DESCRIPTION Ex. 9113066997	QTY
7	1172463018	Microswitch Lamp Support	1
110	1528324-11/2	Tube Sprayer Black x 1100mm Long	1
110B	1527937-11/2	Hose Drying x 730mm Long	1
130A	1171265026	Sealing Outer x 1730mm Long	1
130B	8996461225-60/0	Gasket Sprayer	1
150	N.P.A.	Tub	-
300	1118130-00/2	Top Part Nozzle	1
301	1526298-07/8	Bottom Cabinet LS60	1
308	4055031332	Kit Door Hinge Right-Left	1
322	1525280358	Crossbar Front Upper	1
322A	1170350-01/9	Crossbar Back Upper	1
322B	1527256-10/9	Crossbar Front Bottom	1
326	1170153-81/9	Side Panel Left Inox	1
326A	1170153-91/8	Side Panel Right Inox	1
330	1521870-01/2	Adjustable Foot	2
330A	1527992026	Adjustable Foot Front 30mm	2
344	1522344-05/8	Latch	2
505	1526715-40/2	Trimming Tub Black x 1710mm Long	1
521D	1526576-00/2	Hole Cover Latch	1
523	50299970009	Wheel Support Kit Dark Grey (4 Pieces)	1
523B	1521220-10/1	Stiffening Holder Roller	4
541	1526417-00/9	Hose Clamp	1
550B	1522345-03/0	Wiring Protection	1
552	1170542-00/3	Rail Basket Upper	2
567	1523236-03/0	Plaque (Speed Clip)	1
576	1171664-11/1	Adaptor Container Cup Transparent	1
597	1520479-30/2	Basket Stop Front Dark Grey	2
597A	8996461234-05/7	Stopper Back Dark Grey	2
N.I.	4055046587	Fixing Clip Stud (4 Pieces)	1
N.I.	4055059820	Kit Stud Right-Left	1
N.I.	1171097-00/7	Protection Stud	1

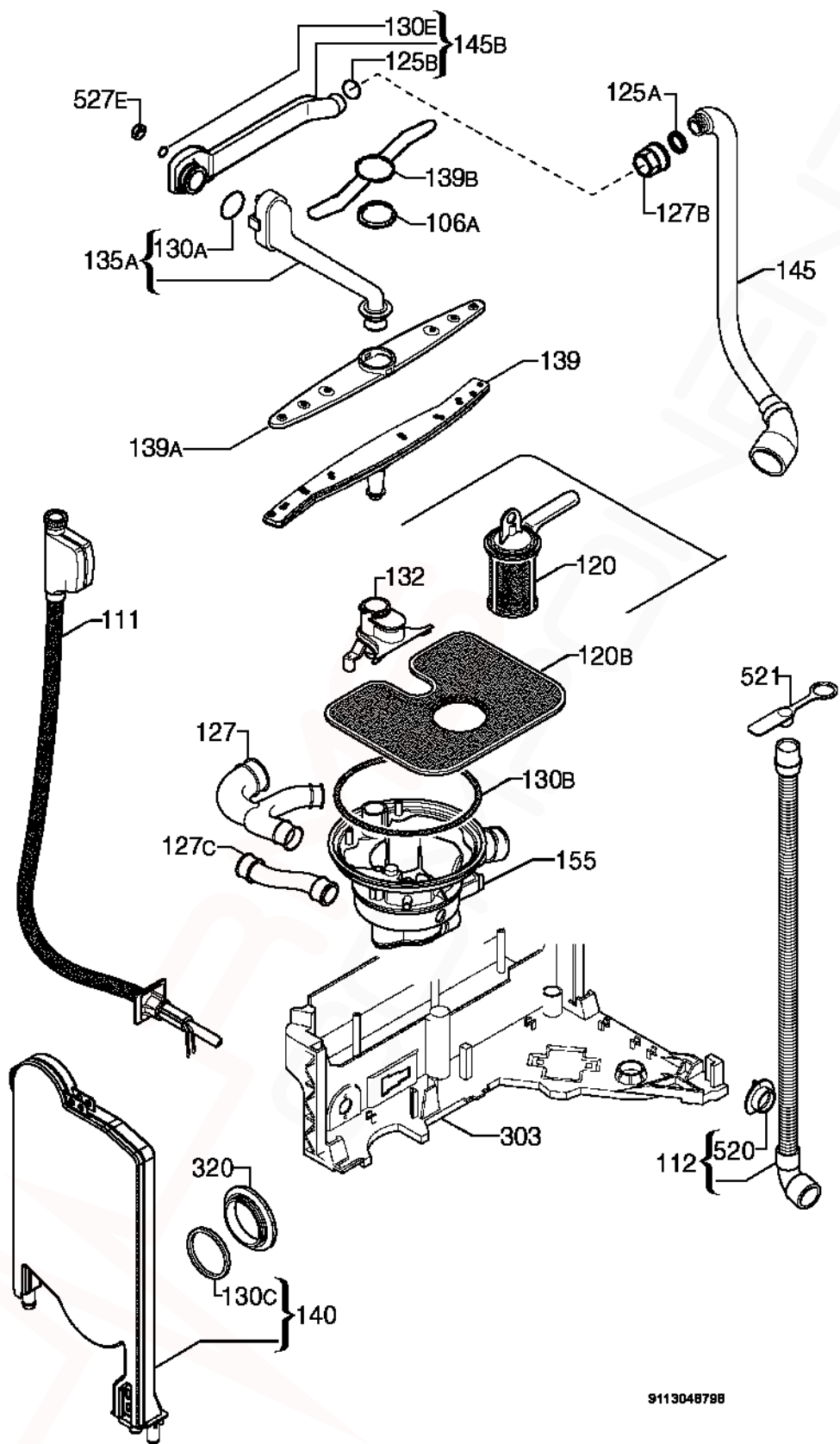


ITEM	PART N°	DESCRIPTION Ex. 9113031014	QTY
7	50287927-00/3	Microswitch Door	1
130	1527401-00/2	Door Gasket Bottom Black x 550mm Long	1
303	1172007211	Plinth Inox	1
305	1170377418	Door Inox	1
311	50290200-00/0	Inner Door Complete	1
344	1170364002	Latch Bridging Plug Complete	1
509A	1520419-14/2	Tie Hinge	1
518	1526414-02/2	Bridge Door Lock	1
523	1170376006	Stiffening Door	1
523C	1170374027	Support Plinth	1
N.I.	50279682-00/4	Plaque Door (Speed Clip)	1



9113050487

ITEM	PARTN°	DESCRIPTION Ex. 9113050467	QTY
6	1113196008	Washing Motor Tachometric	1
6A	1528261-02/5	Drain Pump 50Hz	1
7A	1520393-11/5	Microswitch Anti-overflow	1
10	50297618-00/6	Heating Element 230V/2000W Ø32mm	1
11	50287485-00/2	Running Capacitor Shank	1
11B	0144400042	Interference Suppressor	1
12	1528189-02/8	Pressure Switch Level 65/45	1
12A	1528189-12/7	Pressure Switch Safety 123/98	1
14A	1113317-40/6	PCB Assembly LCD EDW2500	1
16	1111433-00/7	Main Switch (O/I)	1
18	0026400003	Ventilator	1
48	1113160004	Temperature Sensor Turbidity Sensor	1
110C	1170450-40/5	Tube Pressure Switch Safety x 515mm Long	1
110D	1170450-51/2	Tube Pressure Switch Level x 525mm Long	1
118	1113330128	Detergent Dispenser C/R	1
130	0208400152	Sealing Sleeve Temperature Sensor	1
506	50297120-00/3	Kit Support Float	1
523B	1170351-00/9	Mount Pressure Switch	1
523F	1527349003	Bracket Main Electronic Board EDW2000	1
567	1171934019	Motor Bracket Buffer	1
587	973911918613028	Configured Electronic EDW2000	1
594	4055020-18/6	Collar Lens Complete	1
600	N.P.A.	Sponge Adaptor Container Cup Turbo Drying	-
N.I.	1172018-00/2	Harness Main Electronic Board	1
N.I.	1529442-04/6	Harness LCD	1
N.I.	1170598-00/5	Sponge Drain Pump "L"	1
N.I.	1170862-31/0	Power Cable AUS/NZ	1
N.I.	1526426-01/8	Electric Cable Blower	1
N.I.	1526491-01/2	Electric Cable Anti-Overflow Gasket	1

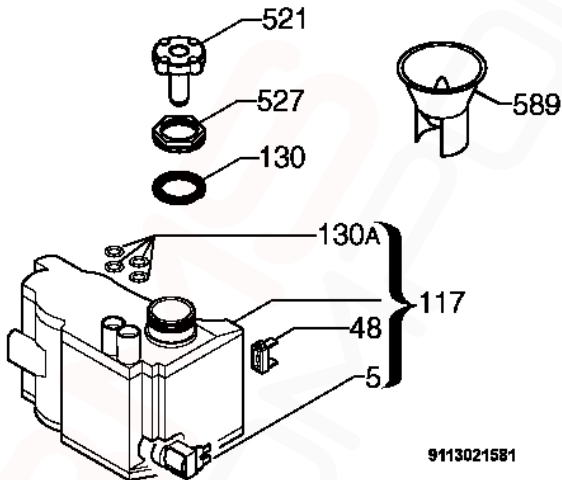


ITEM	PART N°	DESCRIPTION Ex. 9113048798	QTY
106A	1118134004	Lower Part Spray Arm	1
111	50295663004	Inlet Hose Water Block x 1800mm long	1
112	1526492424	Discharge Pipe Complete x 2230mm Long	1
120	50297774007	Drain Filter Complete - Light Grey	1
120B	1528918004	Dish Sieve - Inox	1
125A	50282650006	O-Ring Manifold Outer	1
125B	50227938003	O-Ring Manifold Inner	1
127	1118796208	Pipe Union Y	1
127B	1523118204	Pipe Union Manifold - Dark Grey	1
127C	1526716012	Pipe Union Decalcifier Sump	1
130A	1172041004	Rubber Gasket Channel Drainage	1
130B	8996461217706	O-Ring Sump	1
130C	50659231000	Round Seal Container Cup	1
130E	1522802006	Sealing Strip	1
132	1118495918	Column Support Lower Spray Arm	1
135A	1170370025	Channel Drainage Complete - Dark Grey	1
139	1118136702	Spray Arm Bottom - Dark Grey	1
139A	1118949500	Spray Arm Upper - Dark Grey	1
139B	1170481-00/4	Spray Arm	1
140	1170481004	Container Cup Small Electronic	1
145	1528059007	Manifold Outer Ø32mm.	1
145B	1172029017	Manifold Horizontal Dark Grey	1
155	1527957110	Sump Pipe Union Complete	1
303	1526292097	Basement	1
320	1526272107	Grill Vapour Outlet - Dark Grey	1
520	N.P.A.	Flange Discharge Pipe	-
521	N.P.A.	Stopper Drainage Hose	-
527E	50286080002	Nut Water Distributor	1
N.I.	1529175109	Fixing Clamp Sensor Ø35.6	1
N.I.	4055034963	Service Kit Electric Cable Sensor	1

If a Customer needs to extend their drain hose, order these components:
Hose Drain (2M Length) 0571400142, Ferrule Hose Joiner (19mm)
0182200002 (X1) and Clamp 0005001019 (X 2)

For extensions less than 2 Metres, use Kit Hose Flex. Drain (1M)
ES5323K

***NOTE:** Total Drain Hose Length Must Not Exceed 4 Metres.



9113021581

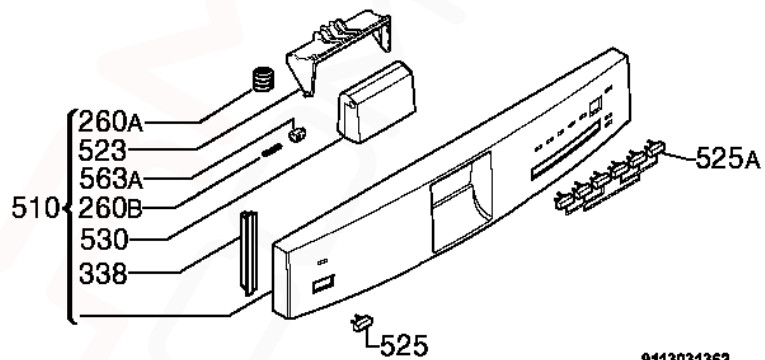
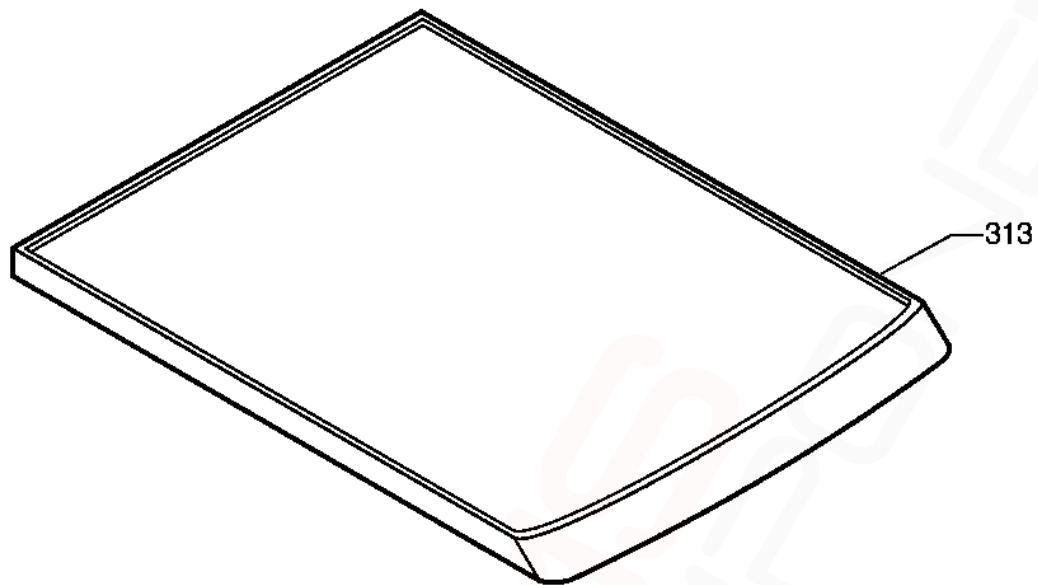
9113021581

MODEL: ESF68040X

PNC 911918613 02

**EX. VIEW 9113021581
REGENERATION TANK
ASSEMBLY**

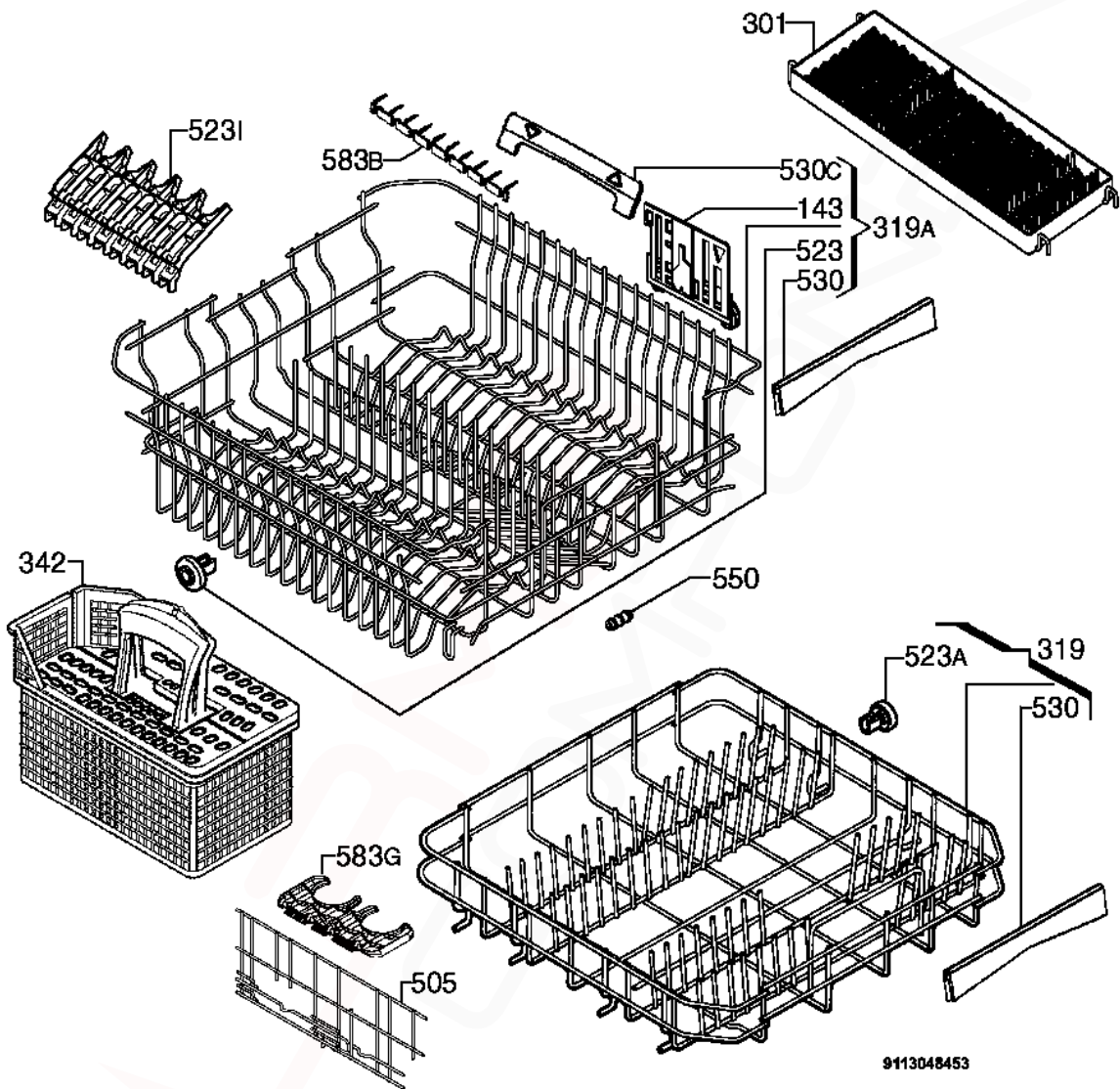
ITEM	PART N°	DESCRIPTION	Ex. 9113021581	QTY
5	1528875-01/4	Regeneration Electric Valve Decalcifier T&P		1
48	1528882-01/0	Salt Sensor Decalcifier T&P		1
117	50286081-00/0	Decalcifier		1
130	1521128-10/6	Gasket Decalcifier		1
130A	1526505-00/1	Grommet Decalcifier		1
521	1526411-00/2	Stoppie Decalcifier		1
527	1526449-10/1	Ring Nut Decalcifier Dark Grey		4
589	1172107-30/0	Filling Funnel Dishwasher Salt Transparent		1



9113031362

ITEM	PARTN°	DESCRIPTION	Ex. 9113031362	QTY
260A	1171020009	Spring Handle		1
260B	1527808008	Spring Side Handle		1
313	1171793316	Work Top		1
338	1525578-80/1	Side Plate Grey		2
510	1172586-00/8	Control Panel Silkscreened Complete		1
523	1170464026	Handle Bracket		1
525	1528655317	ON/OFF Button Inox		1
525A	1118770-09/6	5 Buttons Programmes Inox		1
530	1172470203	Handle Control Panel Inox		1
563A	1527582009	Pin Handle		1

NOTE: In cases where the Work Top has been removed for under counter installation, supply 2 x **1170209-00/9 BRACKET FIXING TOP** and 1 x **ES6060 KIT TAPE FOIL STEAM PROTECTION** (NOT supplied in original pack)



9113048453

9113048453

MODEL: ESF68040X**PNC 911918613 02****EX. VIEW 9113048453
BASKET ASSEMBLY**

ITEM	PART N°	DESCRIPTION	Ex. 9113048453	QTY
143	1172121004	Adjustment Dishwasher Basket Right		1
301	1118127701	Rack Dark Grey Complete		1
319	1170652-60/4	Dishwasher Basket Bottom Silver		1
319A	1170369555	Dishwasher Basket Upper Dark Grey		1
342	1118401-70/0	Cutlery Basket Complete Dark Grey		1
505	1170653016	Insert Dark Grey Lower Basket		2
523	4055039723	Wheel Upper Basket Complete		2
523A	50286965-00/4	Wheel Kit Dark Grey (8 Pieces)		1
523I	1118886702	Rack Cup Dark Grey		4
530	1118879012	Handle Front		2
530C	4071354775	Handle Side Complete		1
550	8996461804602	Rubber Buffer Dishwasher Basket Upper		2
583B	1118902707	Spacer Dark Grey		4
583G	1118863701	Glass Holder Lower Basket Dark Grey		2