

Electrolux

ELECTROLUX HOME PRODUCTS PTY LTD

ABN 51 004 762 341

Technical Publication N° DW401

Issue: 1

Date: 04/14

ELECTROLUX ELECTRONIC DISHWASHER

**TO BE USED IN CONJUNCTION WITH
CIRCUIT and WIRING DIAGRAM PUBLICATION - DW300.**

MODEL:

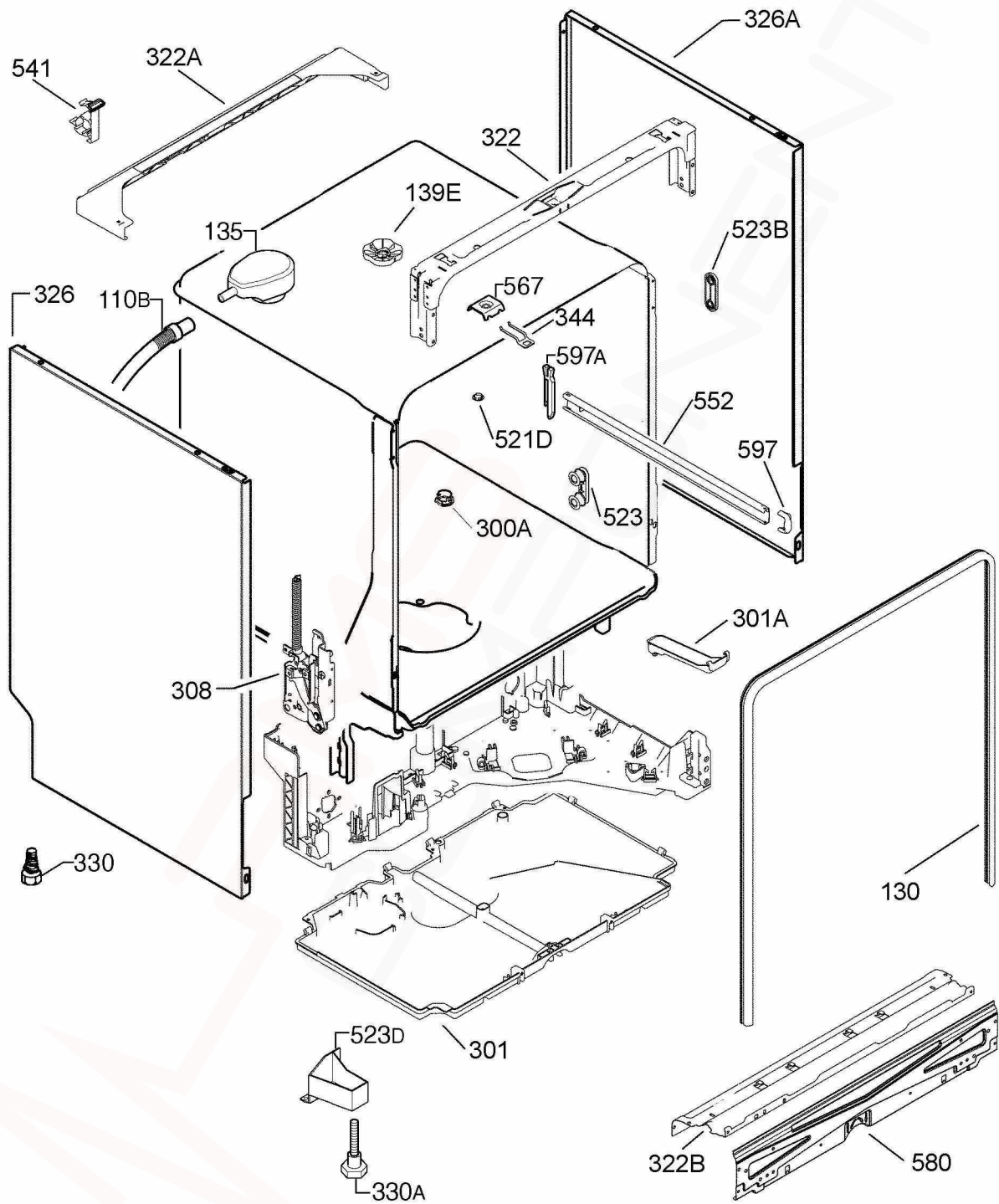
**ESF6800ROX
PNC 911418021 01**

VARIANT CHANGE SUMMARY	
-------------------------------	--

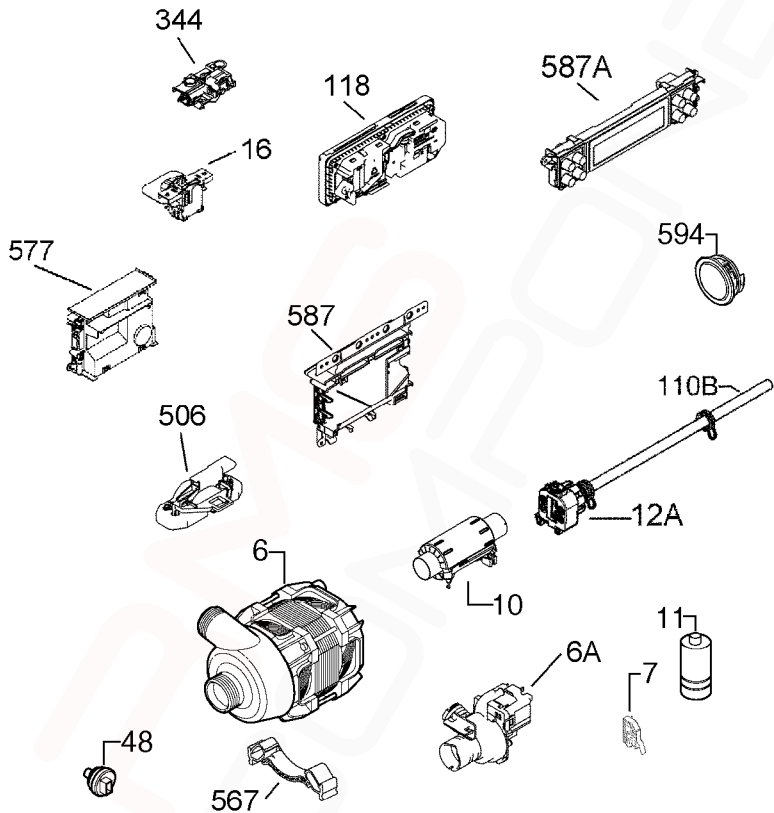
01	Drying Activator, Spray Arm Top Nut, Wheel Support Kit, Drain Pump, Float Switch, Motor Bracket, Internal Light, PCB Main, Harness, Hose Water Softener, Container Cup Small
-----------	--

SAFR	
-------------	--

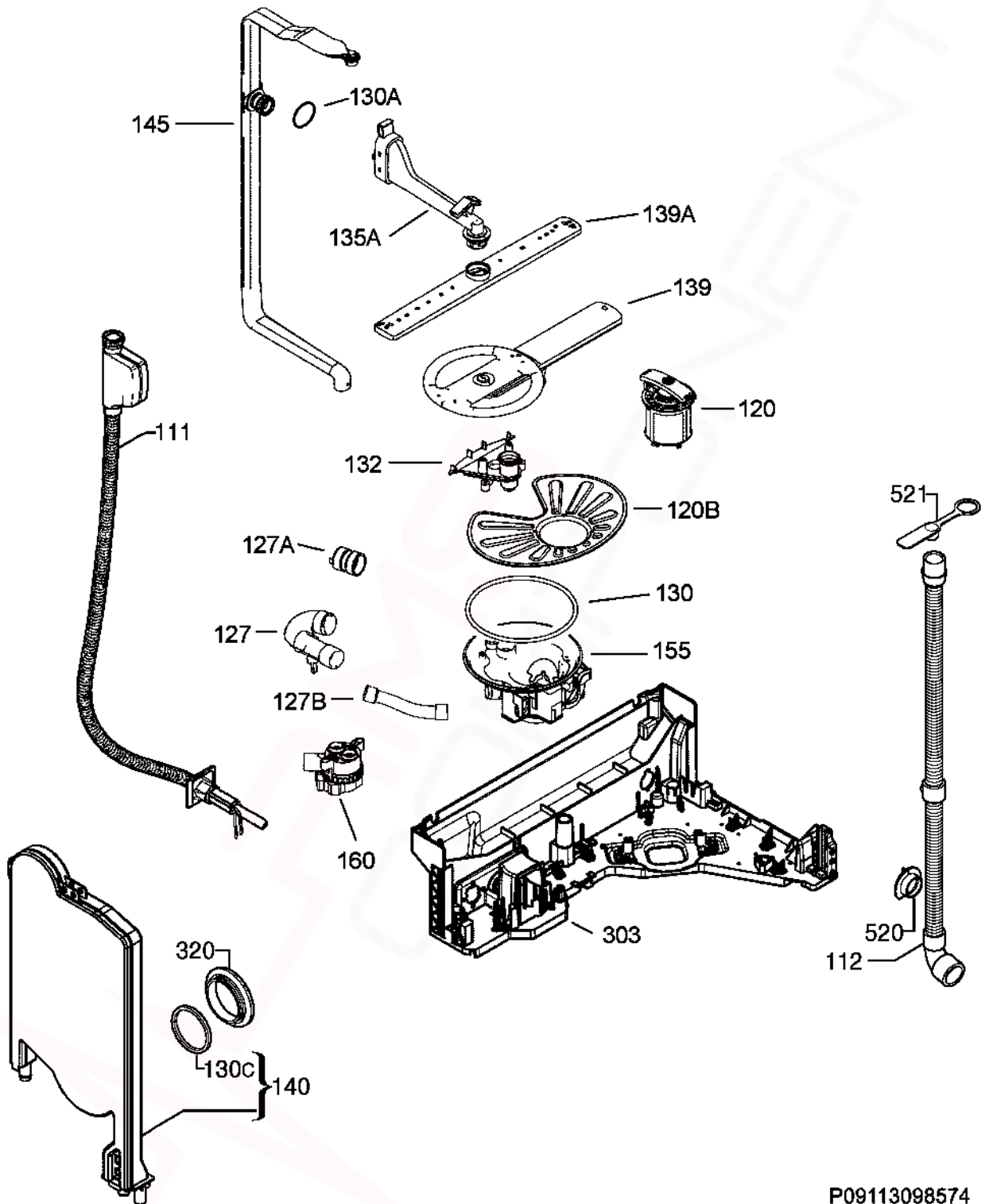
ESF6800ROX/911418021 01	Jan 2014
-------------------------	----------



ITEM	PART N°	DESCRIPTION	Ex. P09113082472	QTY
110B	1172814202	Hose Drying x 795mm Long		1
130	1171580002	Gasket Door x 1800mm Long		1
135	1171458233	Vent Drying Activator		1
139E	8072403010	Nut Fastening Top Spray Arm		1
300A	1119183000	Cover Top Spray Rose		1
301	1171563024	Tray Bottom Spillage		1
301A	4055138376	Kit Overflow Hose		1
308	4055179909	Kit Hinge Left - Right		1
322	1171564733	Crossbar Front Upper		1
322A	1172379115	Crossbar Back Upper		1
322B	1171561051	Brace Front Upper		1
326	1171560616	Panel Side Left Inox		1
326A	1171560715	Panel Side Right Inox		1
330	1521870012	Foot Adjustable x 56 Long		2
330A	1527992026	Foot Adjustable Front x 61 Long		2
344	1522344-05/8	Latch Door Lock		1
521D	1526576101	Cover Latch Hole		1
523	4055260790	Kit Support Roller Dark Grey (4 Pkt)		1
523B	1521220-10/1	Bracket Base Roller		4
523D	1172460162	Foot Support Front Left		1
523D	1172460048	Foot Support Front Right		1
541	1526417-00/9	Clamp Hose		-
552	1171989005	Rail Basket Upper		2
567	1523236-03/0	Nut Speed Clip		1
580	1171654120	Panel Front Lower		1
597	1520479401	Stop Basket Front Dark Grey		2
597A	8996461234-05/7	Stop Basket Rear Dark Grey		2
N.I.	1174277002	Grommet Side Mounting		2
N.I.	1173722008	Sponge Water Tank		1
N.I.	1171097-00/7	Cap Protection Stud		2



ITEM	PART N°	DESCRIPTION Ex View P09113170154	QTY
6	1113170003	Pump Circulation Synchronous BLDC Motor	1
6A	140000443022	Pump Drain 50Hz	1
7	1113183022	Switch Micro Lamp	1
10	0122400012	Element Inline 230V/2000W Ø32mm	1
11	1113155202	Capacitor 0.47µf Interference	1
12A	1174745107	Switch Pressure Analogic Complete	1
16	1113337024	Switch Main Auto Off	1
48	1113348005	Sensor Turbidity Optical	1
110B	1526815707	Hose Switch Pressure Ø10x260mm	1
118	140000775019	Detergent Dispenser	1
344	1113150401	Lock Door	1
506	140000565022	Switch & Float Assembly	1
567	1171934019	Support Bracket Motor Rubber	1
577	1113158073	Board Motor Electronic EDW3000 BLDC	1
587	973911418021011	Board Configured Electronic EDW1xxx	1
587A	1380045102	Board User Interface EDW4010	1
594	8074530026	Light Internal Diode Led	1
N.I.	1173611243	Harness Complete	1
N.I.	1173704006	Mount Pump Drain	1
N.I.	1114023029	Harness Motor Module	1
N.I.	1114038019	Wiring Harness Main User Interface	1
N.I.	1170862-31/0	Cord Power AUS/NZ 10A	1
N.I.	1170897308	Cover Terminal	1
N.I.	1171864042	Protection Wiring Harness	1

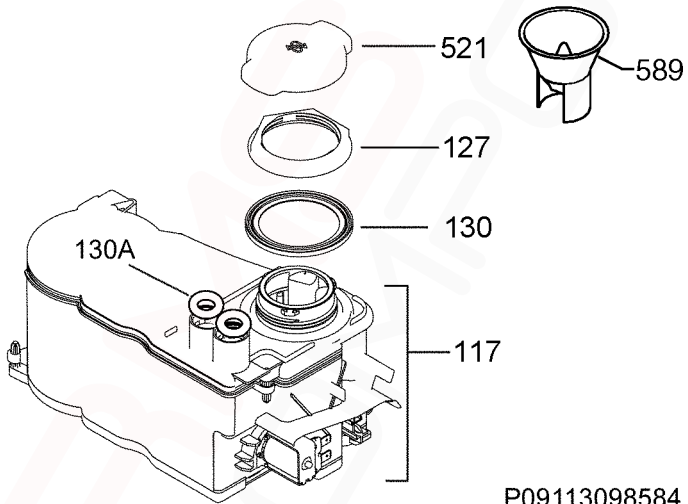


ITEM	PART N°	Description	Ex View P09113098574	QTY
111	1171990805	Hose Inlet Aqua-Control x 1.8M Long		1
112	1173680305	Hose Drain x 2.23M Long		1
120	1119161105	Drain Filter Assembly		1
120B	1119209011	Filter Flat		1
127	1119164018	Hose Sump Heater		1
127A	1119165007	Hose Heater Circulation Pump		1
127B	8079302017	Hose Water Softener Sump		1
130	1119186003	O-Ring Sump		1
130A	1523119-01/2	Seal Channel Drainage		1
130C	N.P.A.	Round Seal Container Cup		-
132	1119158119	Support Spray Arm Lower		1
135A	140000409015	Channel Drainage Grey Complete		1
139	1119208211	Spray Arm Lower Grey x 322.6mm Long		1
139A	1119159315	Spray Arm Upper Grey x 450mm Long		1
140	1170481723	Container Cup Small		1
145	1119447108	Manifold Inner Grey x 691.9mm long		1
155	1119151296	Sump Water Assembly		1
160	1113161010	Regulator Flow Control		1
303	1171581026	Baseplate Basement		1
320	1526272-10/7	Vent Vapour Outlet Dark Grey		1
520	N.P.A.	Flange Discharge Pipe		-
521	N.P.A.	Stopper Drainage Hose		-
N.I.	1529175109	Clamp Fixing Sensor		1
N.I.	1400000592015	Sealing Pressure Switch		1

If a Customer needs to extend their Drain Hose, order the following components:
0571400142 Hose Drain (2M length), 0182200002 Ferrule Hose Joiner (19mm)
 and 2 x **W011 Clamp**.

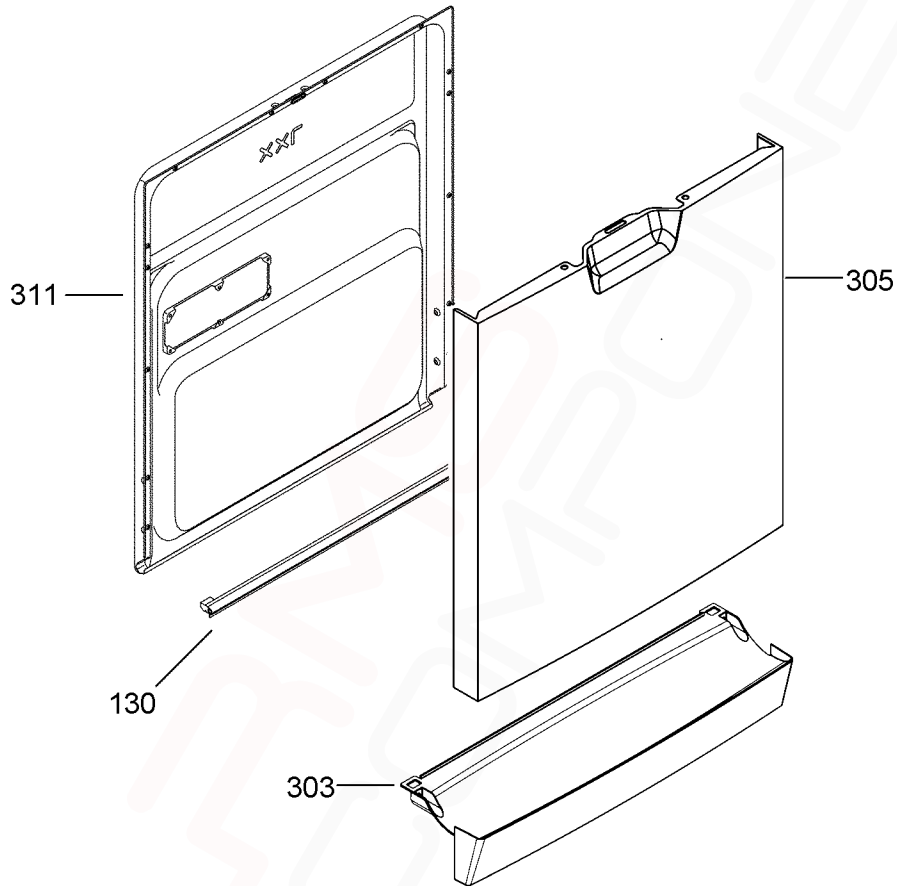
For extensions less than 2 metres, use **ES5323K Kit Hose Flex Drain (1M)**

NOTE: Total Drain Hose length must not exceed 4 metres.

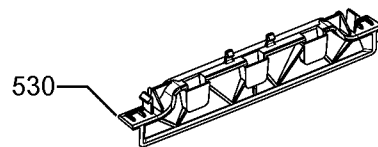
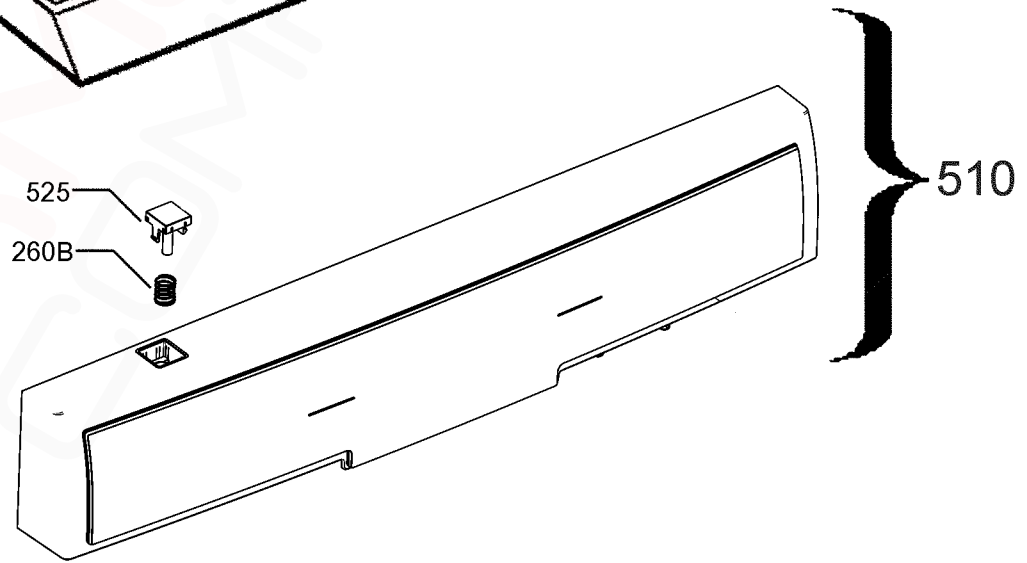
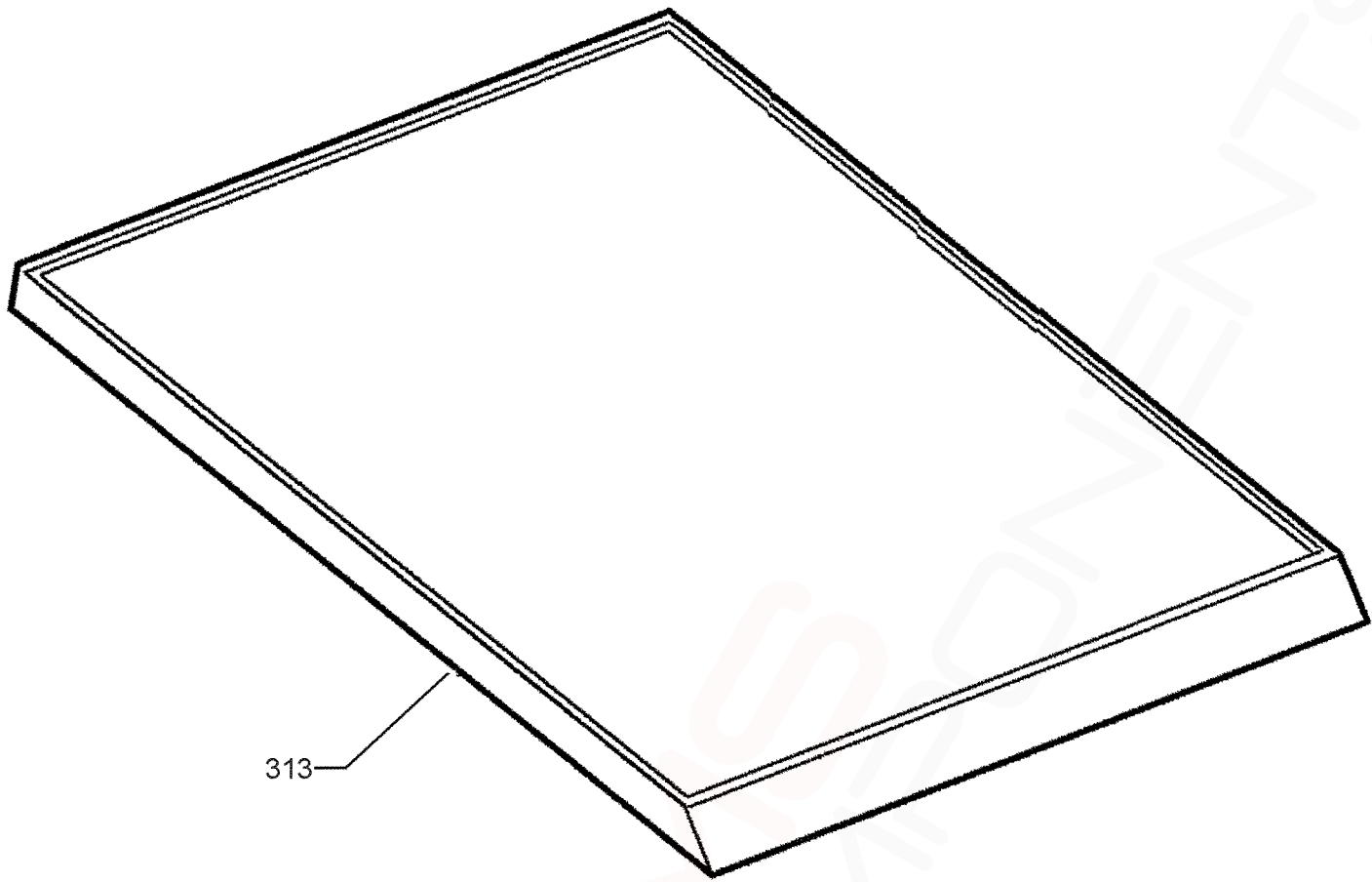


P09113098584

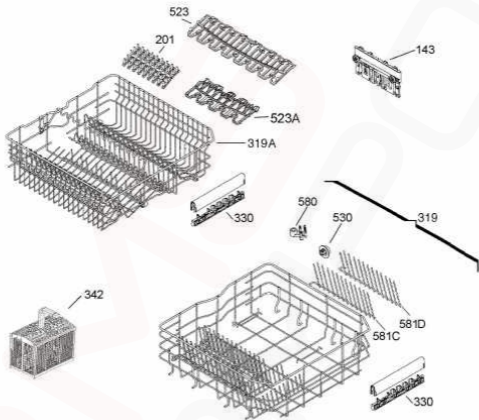
ITEM	PART N°	DESCRIPTION	Ex. P09113098584	QTY
117	1174849008	Tank Water Softener Complete		1
127	1119195103	Nut Water Softener		1
130	1119196010	Gasket Water Softener		1
130A	1526505-00/1	Grommet Decalcifier 13mm		2
521	1119192100	Cap Water Softener		1
589	1172107300	Funnel Filling Dishwasher Salt Transparent		1



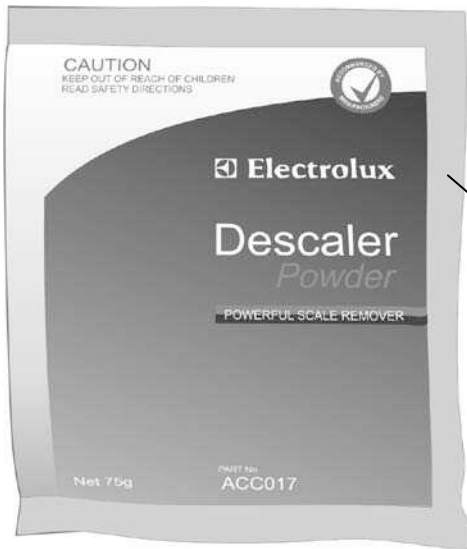
ITEM	PART N°	DESCRIPTION	Ex. P09113082772	QTY
130	1173419001	Gasket Door Lower Black x 546mm Long		1
303	1173371228	Plinth Silver		1
305	1173369214	Door Outer St/St Inox		1
311	4055075539	Inner Door Complete		1
N.I.	1173234004	Rivet Plastic Door Ø12mm x 19mm Long		2



ITEM	PART N°	Description	Ex. P09113170511	QTY
260B	1173192004	Spring On/Off Button		1
313	1173175108	Work Top Grey 597x595mm		1
510	140001940026	Control Panel Inox ESF6800ROX		1
525	1174181204	Button Push ON/OFF		1
530	1174184109	Handle Control Panel Grey		1



ITEM	PARTN°	DESCRIPTION	Ex View P09113029907	QTY
143	1173884428	Adjustment D/Wash Basket RH		1
	1173884527	Adjustment D/Wash Basket LH		1
201	1119349312	Support Spikes Rubber		2
319	1171745027	Basket D/W Lower Silver		1
319A	1119234712	Basket D/W Upper		1
330	1380176014	Handle Dish Basket Rear Grey		1
	1380192011	Handle Dish Basket Front Lt Gr		1
342	1119330213	Basket Cutlery Grey Assy		1
523	1172468215	Support Cup Grey Long		1
523A	1172467217	Support Cup Grey Short		2
530	4055072138	Roller Kit Lower Bskt Pkt 8		1
580	1171867102	Clamp Fixing Partition		2
581C	1172588004	Rack Fold Down LH x 333mm		1
581D	1172588103	Rack Fold Down RH x 333mm		1



1



2



3



4

ITEM	PART N°	DESCRIPTION	Ex.
1	ACC017	Scalex Plus Descaler Sachet 75gm	
2	ACC100	Detergent Dishwasher 1kg	
3	ACC102	Rinse Aid Additive 500mls	
4	ACC103	Descaler Powder 350g (Dangerous Goods rules apply, min order Qty of 12)	
N.I.	ACC002	Dishwasher Salt 1kg Pack	