

ELECTROLUX

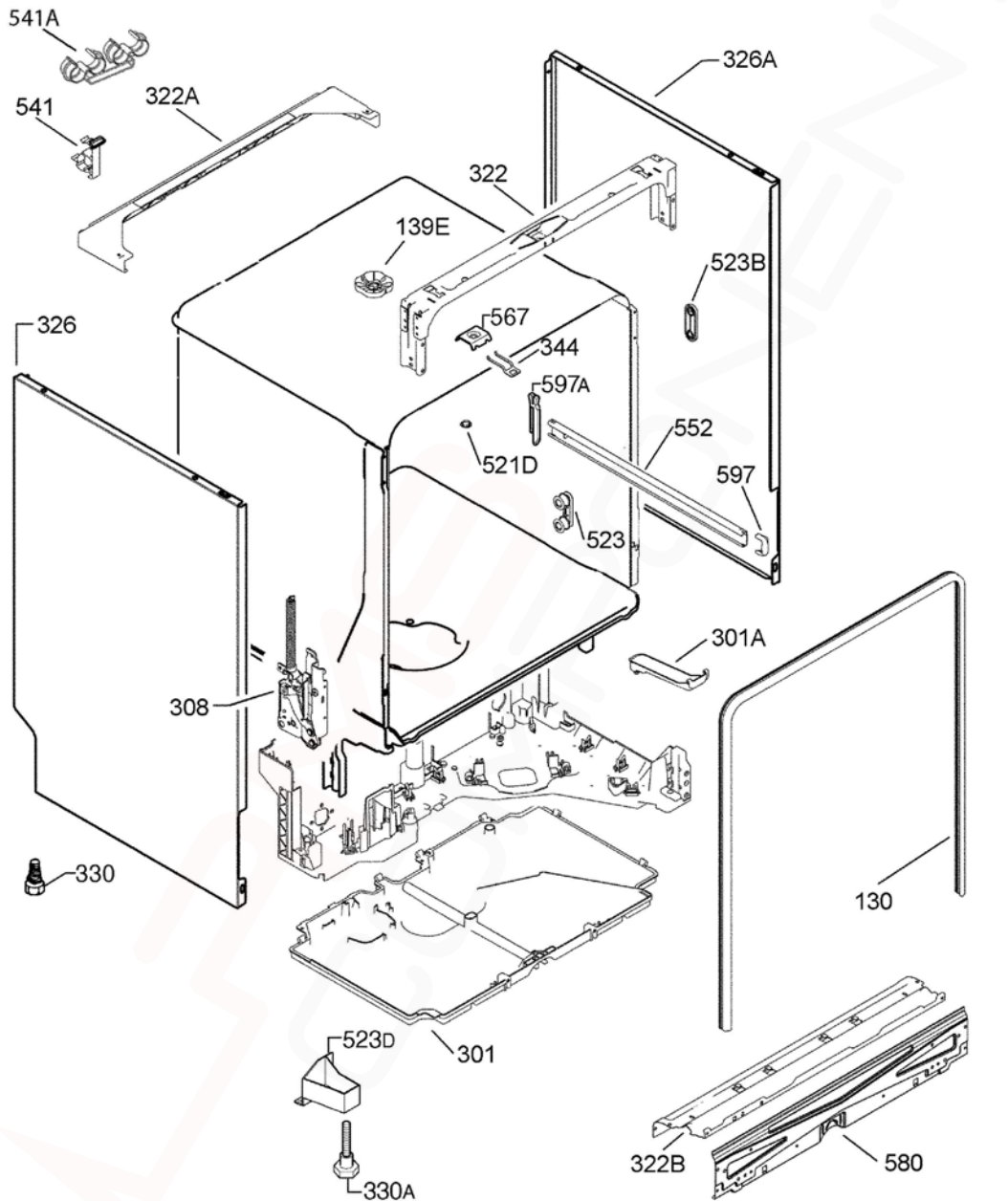
***DOMESTIC HOUSEHOLD
FREESTANDING DISHWASHER***

CONTENTS	PAGE Nº
CABINET and BASE ASSEMBLY	2 & 3
ELECTRICAL COMPONENTS	4 & 5
PUMP, SUMP and HYDRAULIC SYSTEM	6 & 7
WATER SOFTENER TANK	8 & 9
DOOR ASSEMBLY	10 & 11
CONTROL PANEL and WORKTOP ASSEMBLY	12 & 13
BASKET ASSEMBLY	14 & 15
AFTER MARKET ACCESSORIES	16
WIRING DIAGRAM, LEGEND and CIRCUIT DIAGRAM	17 - 18

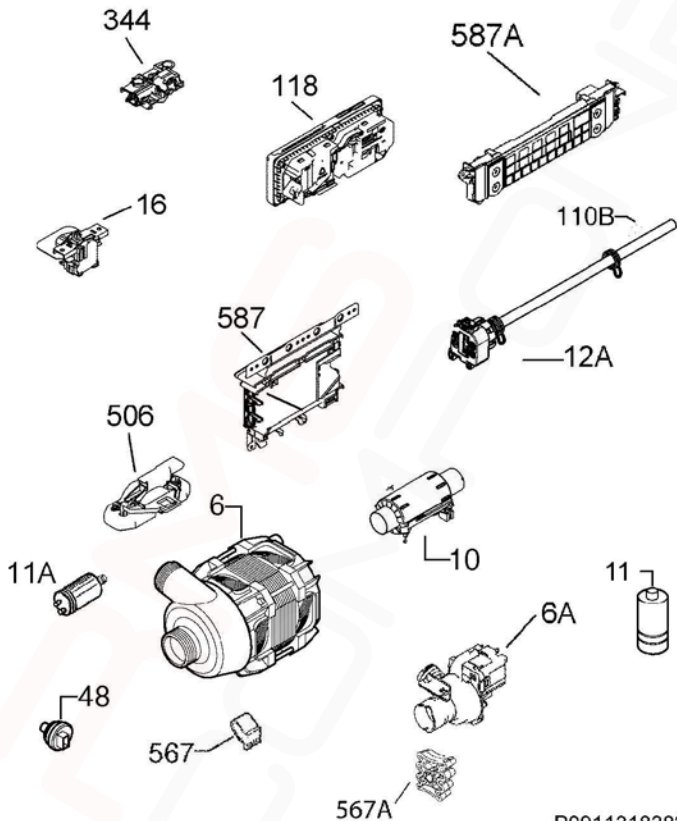
NOTE: In Parts Listings

N.I. = Not Illustrated
N.P.A. = No Part Available
N.P.N. = Not Used on this Model

MODEL:**ESF6700ROX****PNC:****911417033 01**

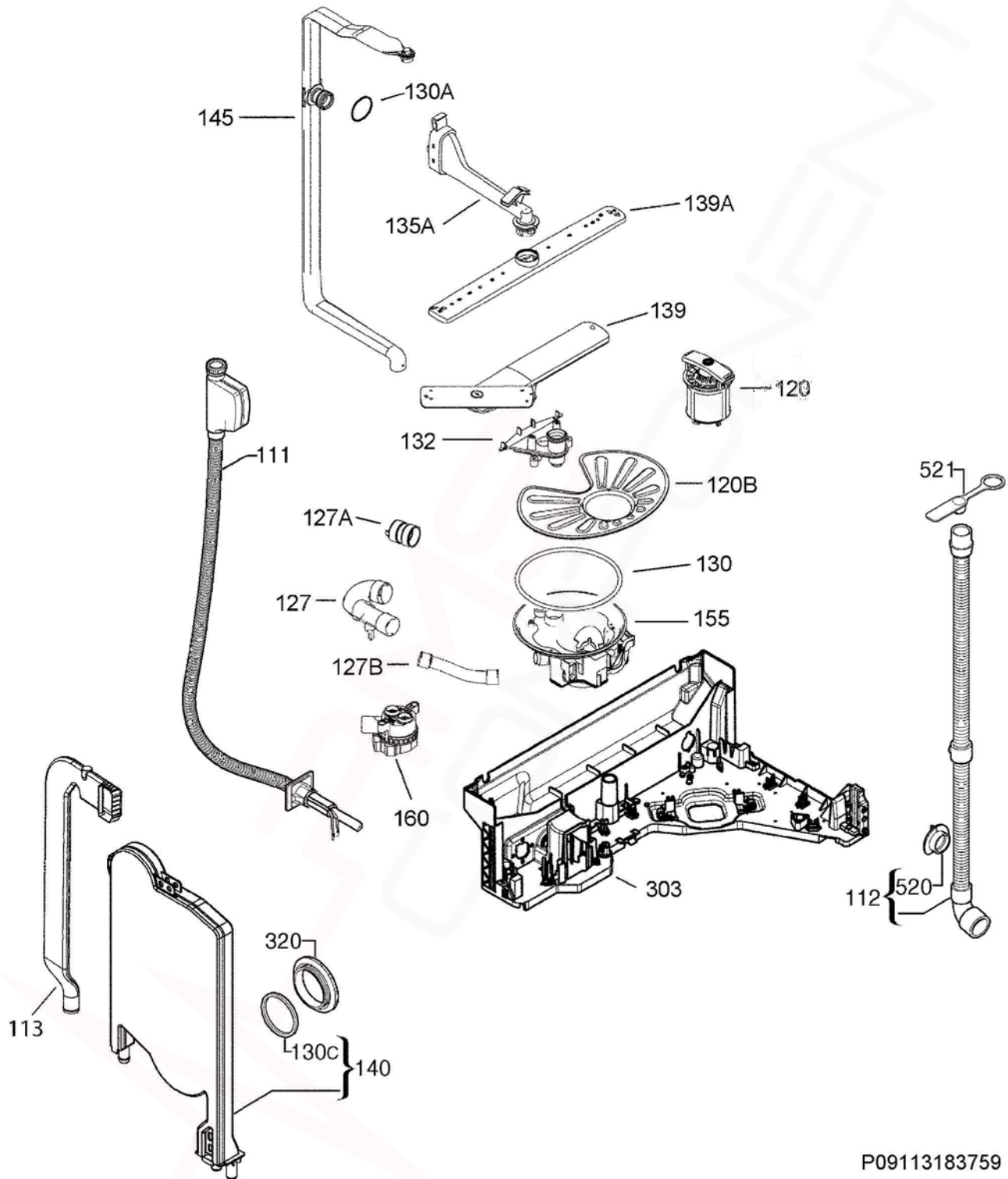


ITEM	PART N	DESCRIPTION	Ex. P09113183498	QTY
130	1171580002	GASKET DOOR 1800mm		1
139E	8072403010	NUT FASTENING TOP SPRAY ARM		1
300A	1119183000	COVER TOP SPRAY ROSE		1
301	1171563024	TRAY BOTTOM SPILLAGE		1
301A	4055138376	KIT OVERFLOW HOSE		1
308	4055179909	KIT DOOR HINGE LEFT/RIGHT		1
322	1171564733	BRACE FRONT UPPER		1
322A	1172379123	BRACE REAR UPPER		1
322B	1171561051	BRACE FRONT LOWER		1
326	1171560616	PANEL SIDE LH INOX 519 x 808		1
326A	1171560517	PANEL SIDE RH INOX 519 x 808		1
330	1521870-01/2	FOOT ADJUSTABLE		2
330A	1527992026	FOOT ADJUSTABLE FRONT 60mm		2
344	1522344-05/8	LATCH DOOR LOCK		1
521D	1526576101	COVER LATCH HOLE		1
523	4055260790	SUPPORT ROLLER KIT (PKT 4)		1
523B	1521220-10/1	BRACKET ROLLER REAR SIFFENING		4
523D	1172460048	FOOT SUPPORT, FRONT - RIGHT		1
523D	1172460162	FOOT SUPPORT, FRONT - LEFT		1
541	N.P.A.	CLAMP HOSE (PACKAGING)		-
541A	N.P.A.	CLAMP HOSE DOUBLE (PACKAGING)		-
552	1526417-00/9	RAIL BASKET UPPER		2
567	1523236-03/0	NUT SPEED CLIP		1
580	3282054604	CLOSURE FRONT BOTTOM		1
597	1520479401	STOP BASKET UPPER - FRONT		2
597A	8996461234-05/7	STOP BASKET REAR DARK GREY		2

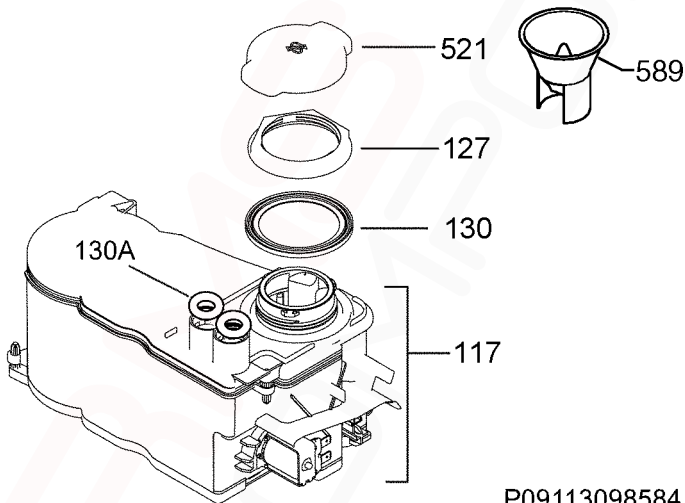


P09113183820

ITEM	PART N°	DESCRIPTION Ex. P09113183820	QTY
6	140000397020	PUMP CIRCULATION COMP 2800RPM	1
6A	140000443022	PUMP DRAIN 50Hz	1
10	0122400012	ELEMENT INLINE 230V/2000W 32mm	1
11	3286023506	CAPACITOR 0.47µF	1
11A	1115927012	CAPAC 3UF MOTOR DISHWASHER	1
12A	1174745107	SWITCH PRESSURE ANALOGIC COMP	1
16	1113337024	SWITCH MAIN AUTO OFF	1
48	1113348005	SENSOR TURBIDITY OPTICAL	1
110B	1174745107	HOSE SWITCH PRESSURE Ø10x260mm	1
118	140000775019	DISPENSER DETERGENT	1
344	1113150401	LOCK DOOR	1
506	140000565048	SWITCH & FLOAT ASSY	1
567	1171934019	SUPPORT BRACKET MOTOR RUBBER	2
567A	1173704006	MOUNT PUMP DRAIN	1
587	973911417033017	BOARD PCB PROGRAMED EDW1XXX	1
587A	1380039220	BOARD USER INTERFACE EDW2200	1
N.I.	1114038019	HARNESS WIRING MAIN ELECTRONIC	1
N.I.	1114039165	WIRING HARNESS ASSEMBLY	1
N.I.	1170862-31/0	CORD POWER AUST/NZ 10A	1
N.I.	1170897308	COVER TERMINAL	1
N.I.	1171864042	COVER WIRING HARNESS	1



ITEM	PART N°	DESCRIPTION	Ex. P09113183759	QTY
111	4055125068	HOSE INLET WATER BLOCK x 1800mm		1
112	1173680305	HOSE DRAIN x 2.23M LONG		1
113	140006389021	CONTAINER CUP MINI		1
120	1119161105	DRAIN FILTER ASSY		1
120B	1119209011	FILTER FLAT		1
127	1119164018	HOSE SUMP HEATER		1
127a	1119165007	HOSE HEATER CIRCULATION PUMP		1
127b	8079302017	HOSE WATER SOFTENER SUMP		1
130	1119186003	O-RING SUMP		1
130A	1380235018	SEAL CHANNEL DRAINAGE		1
130C	50659231-00/0	SEAL AIR CHAMBER		1
132	1119158119	SUPPORT SPRAY ARM LOWER		1
135A	140000409015	CHANNEL DRAINAGE ASSY GREY		1
139	1119208211	SPRAY ARM LOW GREY x 322.6mm		1
139A	1119159315	SPRAY ARM UPPER GREY		1
140	1170481723	CONTAINER CUP SMALL		1
145	1119447157	MANIFOLD INNER - 699.8mm LONG		1
155	1119151296	SUMP WATER ASSEMBLY		1
160	1113161010	REGULATOR FLOW CONTROL		1
303	1171581026	BASEPLATE BASEMENT		1
320	1526272-10/7	VENT VAPOUR OUTLET		1
520	1526862-00/6	ADAPTOR FLANGE DISCHARGE PIPE		1
521	1527389-00/9	PLUG DRAIN HOSE		1
N.I.	1400000592015	SEALING PRESSURE SWITCH		1
N.I.	1529175109	FIXING CLAMP SENSOR		1



P09113098584

P09113183829

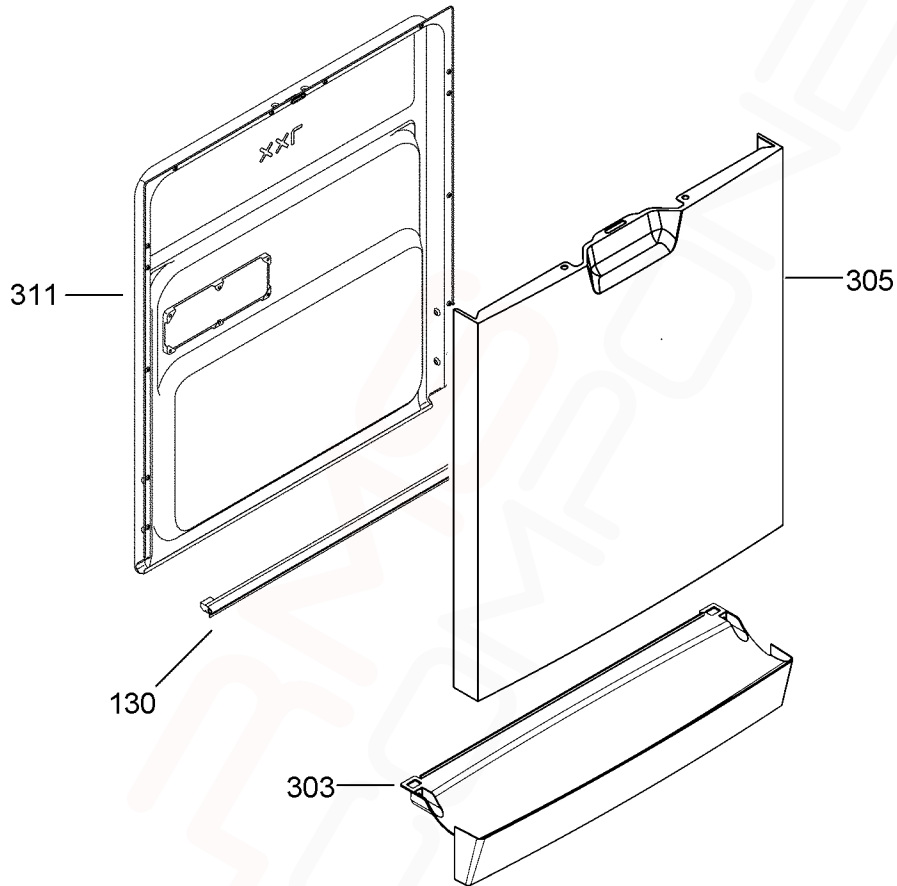
MODEL:

ESF6700ROX

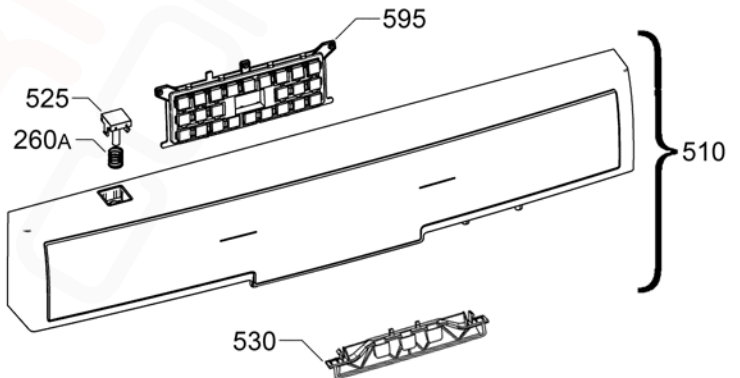
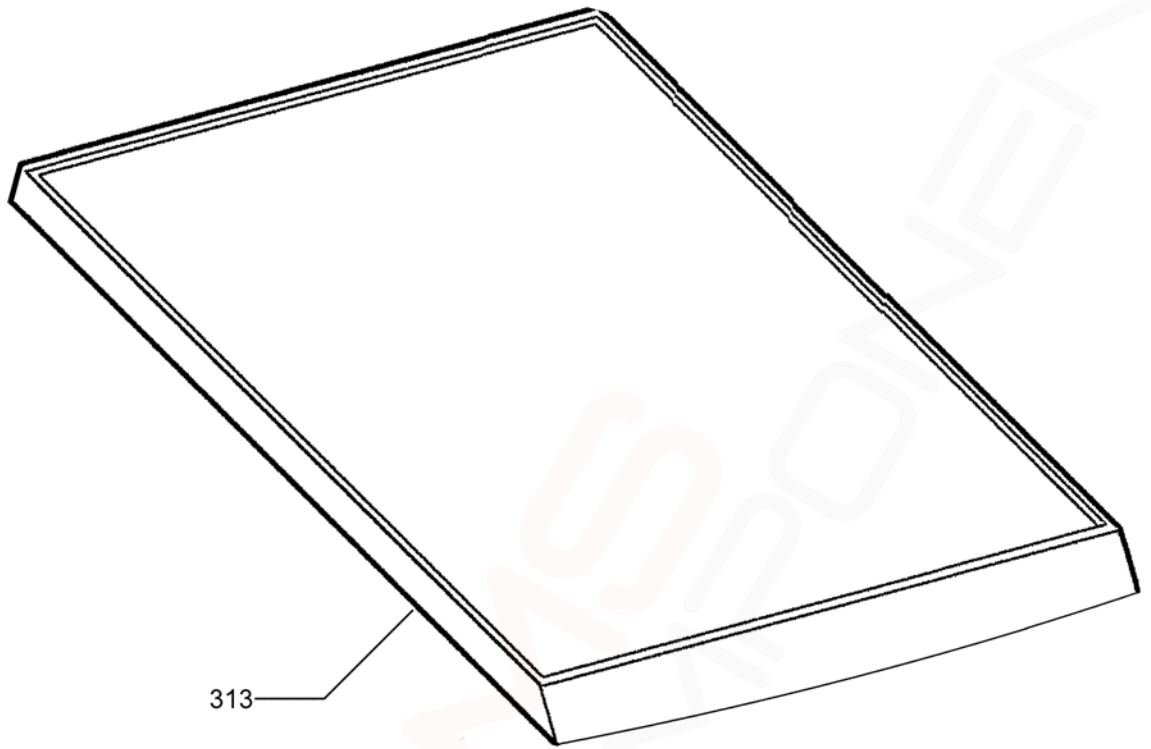
PNC 911417033 01

**EX. VIEW P09113098584
WATER SOFTENER TANK**

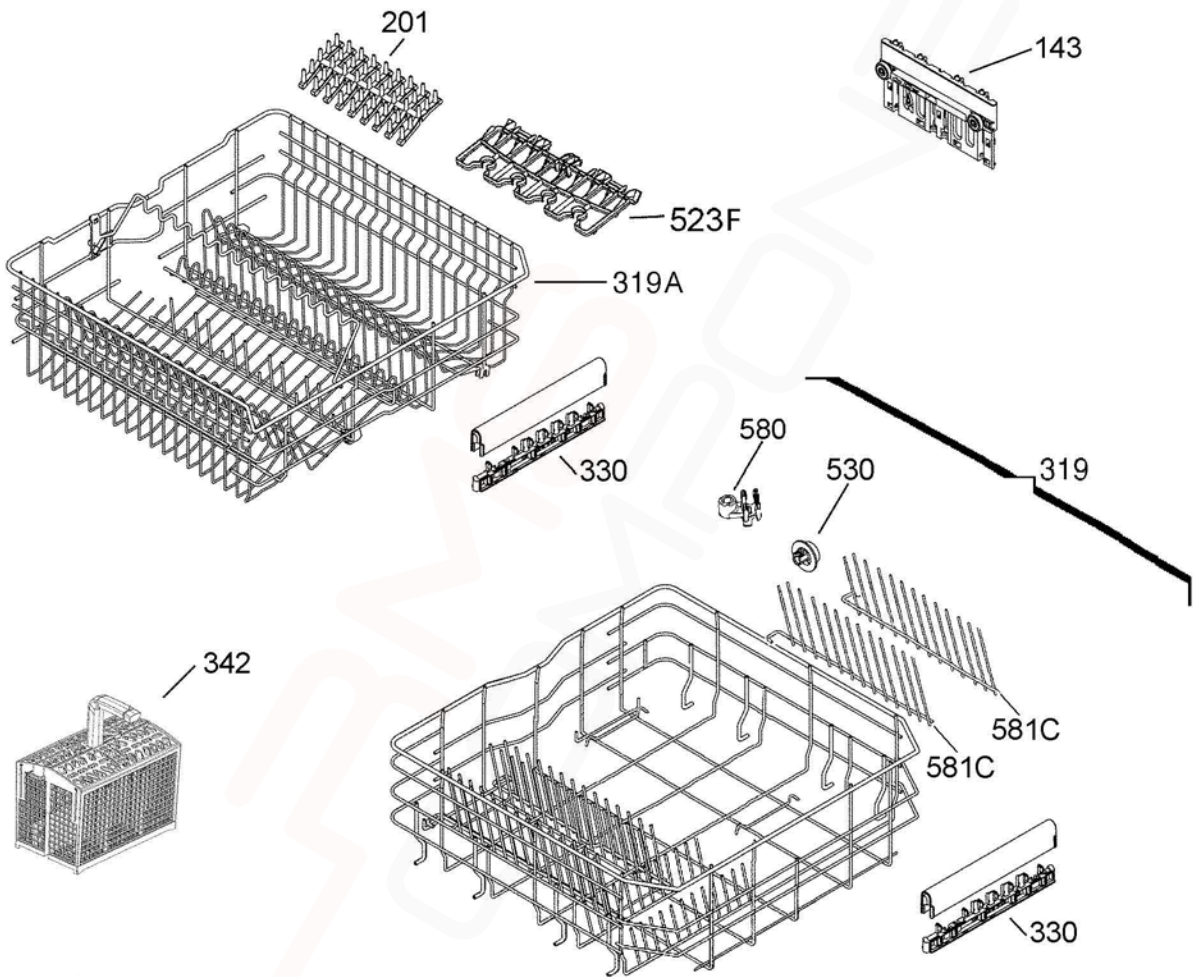
ITEM	PART N°.	DESCRIPTION	EX. P09113184696	QTY
117	1174849008	TANK WATER SOFTENER COMP		1
127	1119195103	NUT WATER SOFTENER		1
130	1119196010	GASKET WATER SOFTENER		1
130A	1526505001	GROMMET DECALCIFIER		2
521	1119192100	CAP WATER SOFTENER		1
589	1172107300	FUNNEL FILLING D/W SALT TRANS		1



ITEM	PART N°	DESCRIPTION	EX. P09113082772	QTY
130	1173419001	GASKET DOOR LOWER BLACK		1
303	1173371228	PLINTH SILVER		1
305	1173369214	DOOR OUTER ST/ST INOX		1
311	4055079539	PANEL DOOR INNER COMPLETE		1



ITEM	PART N°	DESCRIPTION	EX. P09113170728	QTY
260A	1173192004	SPRING ON/OFF BUTTON		1
313	1173175108	WORKTOP SILVER		1
510	140001591118	PANEL CNTL INOX ESF6700ROX		1
525	1174181204	BUTTON PUSH ON/OFF		1
530	1174184109	HANDLE CNTL PNL GREY		1
595	1174409019	SUPPORT DIFFUSER		1



ITEM	PART N°	DESCRIPTION	EX. P09113183748	QTY
143	1173884428	ADJUSTMENT D/WASH BASKET RH		1
	1173884527	ADJUSTMENT D/WASH BASKET LH		1
201	1119349312	SUPPORT SPIKES RUBBER		1
319	1171745126	BASKET LOWER SILVER		1
319A	1119234712	BASKET DW UPPER DARK GREY		1
330	1380176014	HANDLE DISH BASKET REAR GREY		2
	1380192011	HANDLE DISH BASKET FRONT LT GREY		2
342	ACC107	BASKET CUTLERY GREY ASSEMBLY		1
523F	1172469213	SUPPORT CUP GREY SHORT		4
530	4055072138	ROLLER KIT LOWER BSKT (PKT 8)		1
580	1171867102	CLAMP FIXING PARTITION		2
581C	1172588004	RACK FOLD DOWN LH 333mm		1
	1172588103	RACK FOLD DOWN RH 333mm		1

DISHWASHER ACCESSORY COMPONENTS - ELECTROLUX



ITEM	PART N°	DESCRIPTION
1	ACC017	Scalex Plus Descaler Sachet 75gm
2	ACC100	Detergent Dishwasher 1kg
3	ACC102	Rinse Aid Additive 500mls
4	ACC103	Descaler Powder 350g (Dangerous Goods rules apply, min order Qty of 12)
5	ACC002	Dishwasher Salt 1kg Pack
N.I.	ES5323K	Hose Drain Extension Kit (1M Length)
N.I.	0571400142	Hose Drain Extension Straight Cuffs (2M Length)