

Electrolux

ELECTROLUX HOME PRODUCTS PTY LTD

ABN 51 004 762 341

Technical Publication N° DW385

Issue: 1
Date: 09/13

ELECTROLUX ELECTRONIC DISHWASHER

**TO BE USED IN CONJUNCTION WITH
CIRCUIT and WIRING DIAGRAM PUBLICATION - DW300.**

MODEL:

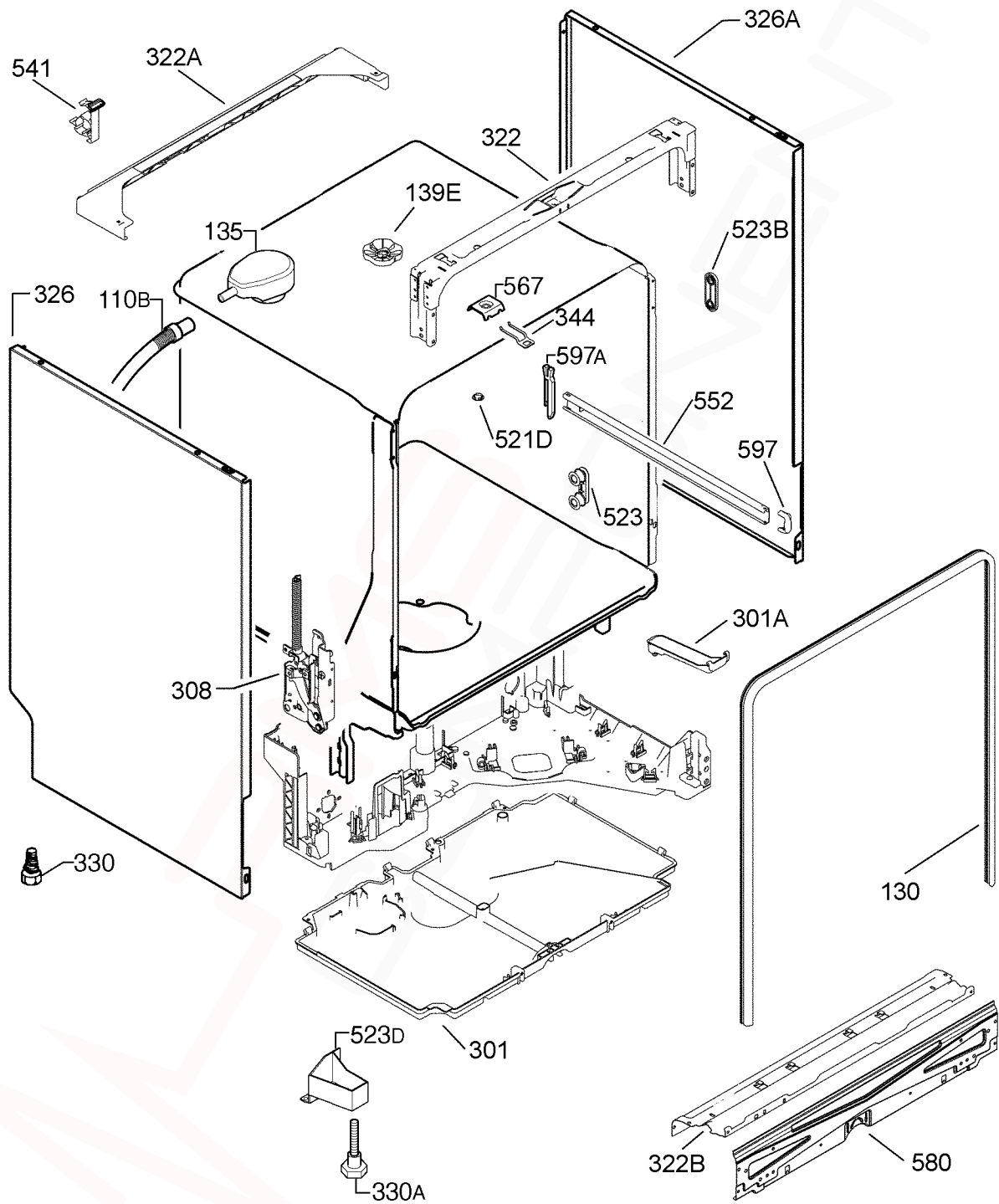
**ESF67000ROX
PNC 911417033 00**

VARIANT CHANGE SUMMARY	
-------------------------------	--

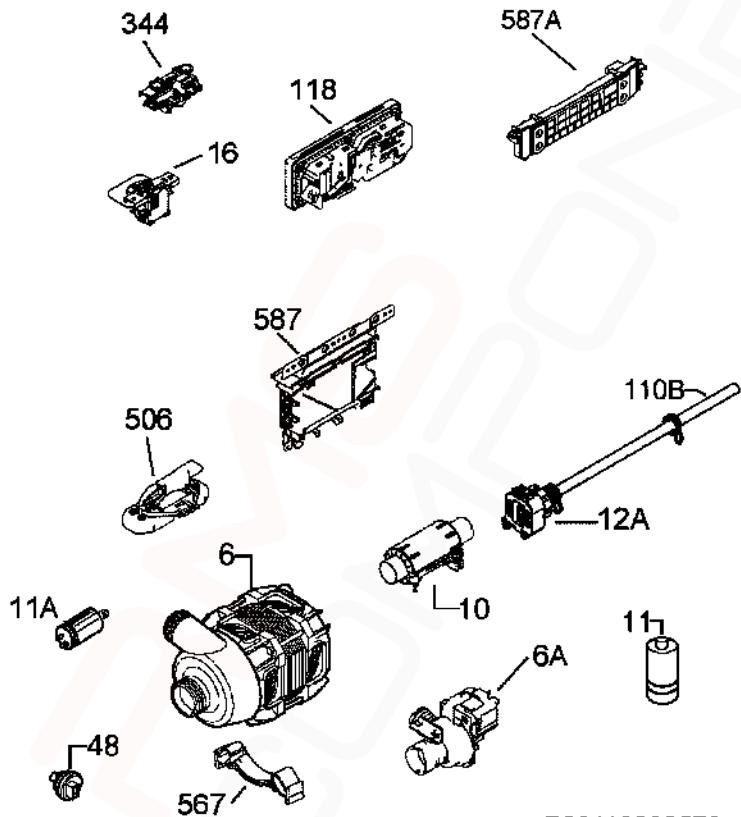
00	Introduction
-----------	--------------

SAFR	
-------------	--

ESF6700ROX/911417033 00	Sept 2013
-------------------------	-----------

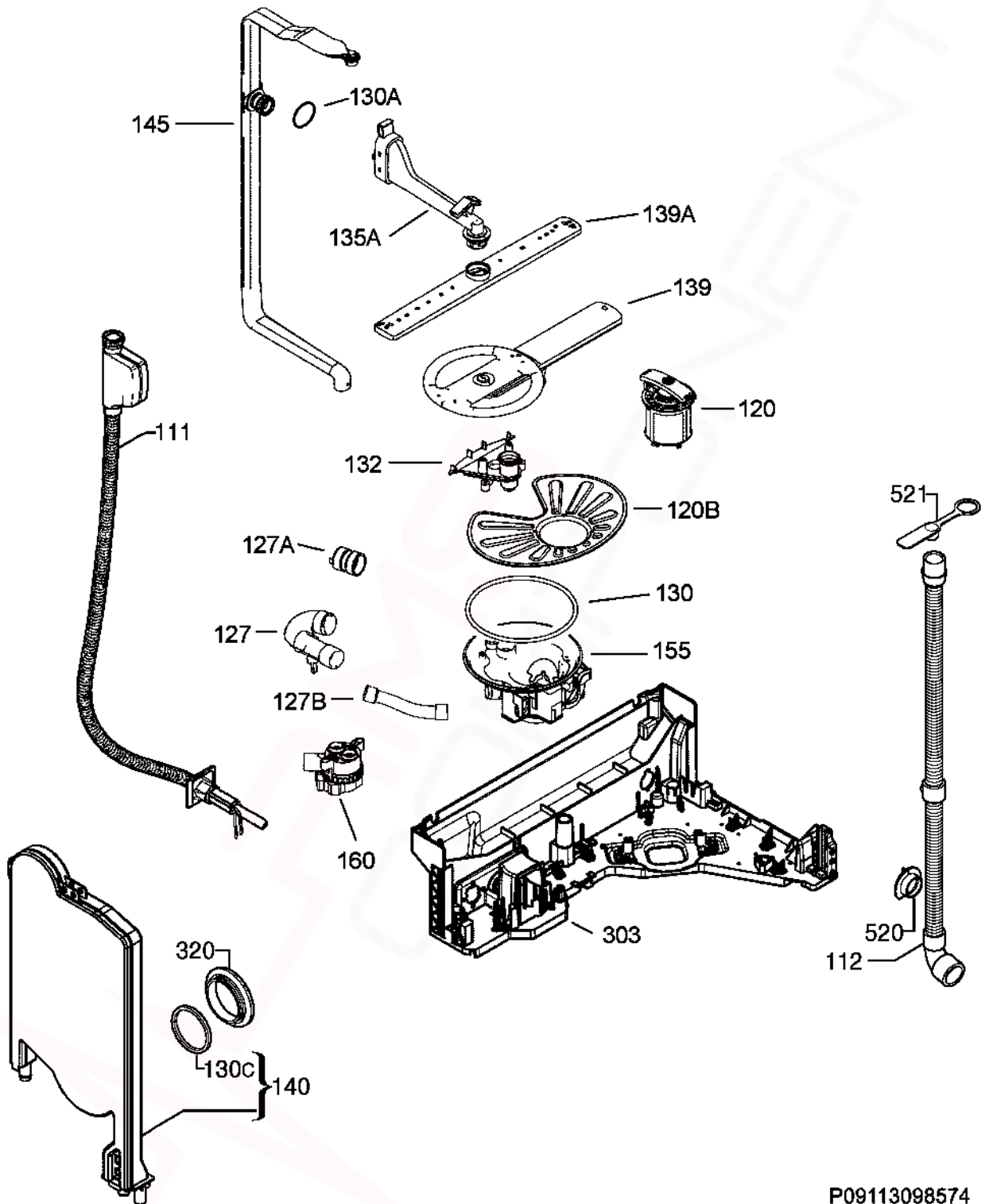


ITEM	PART N°	DESCRIPTION	Ex. P09113172170	QTY
110B	1172814202	Drying Pipe Grey x 795mm Long		1
130	1171580002	Sealing Door x 1800mm Long		1
135	1171458217	Drying Activator		1
139E	1119307013	Spray Arm Top Nut		1
300A	1119183000	Cover Bottom Sprayer		1
301	1171563024	Bottom Tray		1
301A	4055138376	Kit Overflow Hose		1
308	4055179909	Hinge Kit Right-Left		1
322	1171564733	Crossbar Front Upper		1
322A	1172379115	Crossbar Back Upper		1
322B	1171561051	Piece Front Bottom		1
326	1171560616	Side Panel Left Inox 519x808mm		1
326A	1171560715	Panel Right Inox 519x808mm		1
330	1521870012	Adjustable Foot x 56mm Long		2
330A	1527992026	Adjustable Foot Front x 61mm		2
344	1522344058	Latch		1
521D	1526576101	Hole Cover Latch		1
523	50299970009	Wheel Support Kit Dark Grey x4		1
523B	1521220101	Stiffening Holder Roller		4
523D	1172460048	Foot Support Front Right		1
523D	1172460162	Foot Support Front Left		1
541	N.P.A.	Hose Clamp		-
552	1171989005	Basket Rail		2
567	1523236030	Plaque (Speed Clip)		1
580	1171654120	Closure Front Bottom		1
597	1520479401	Basket Stop Upper Front		2
597A	8996461234057	Stopper Back Dark Grey		2
N.I.	1171097007	Protection Stud		2
N.I.	1173722008	Sponge Water Tank		1
N.I.	1174277002	Clip Rivet		2

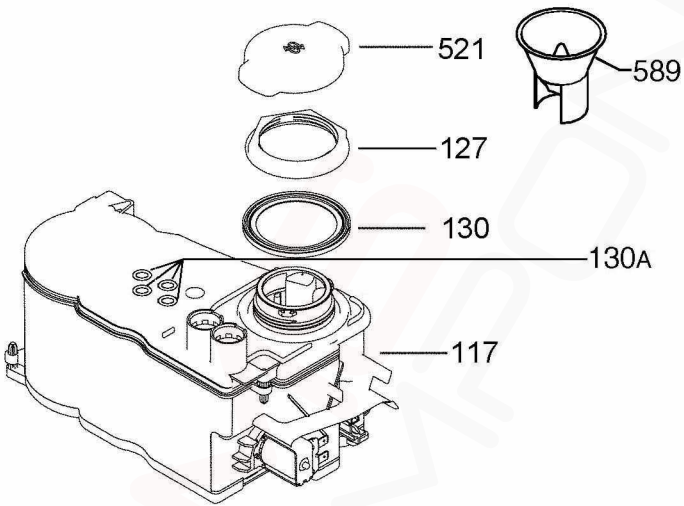


P09113098573

ITEM	PART N°	DESCRIPTION	Ex View P09113098573	QTY
6	140000397020	Circulation Pump Complete 2800RPM		1
6A	140000443014	Drain Pump 50Hz		1
10	50297618006	Heater 230V/2000W Ø32mm.		1
11	3286023506	Interference Capacitor 0.47µf		1
11A	1115927012	Capacitor Motor 3µf		1
12A	1174745107	Analogic Pressure Switch Complete Ø2 60		1
16	1113337024	Main Switch Auto Off		1
48	1113348005	Turbidity Sensor Optical		1
110B	1526815707	Hose Pressure Switch x 260 Long Ø10		1
118	140000775019	Dispenser Detergent Reed		1
344	1113150401	Door Lock Assembly		1
506	1113174039	Float Switch Assembly		1
567	1173024009	Motor Support Rubber		1
587	973911417033009	Configured Electronic EDW1xxx		1
587A	1380039220	User Interface Board EDW2200		1
N.I.	1114038019	Wiring Harn Main Elec Board User Interface		1
N.I.	1114039165	Wiring Harness Assembly		1
N.I.	1170862310	Power Cable AUS/NZ		1
N.I.	1170897308	Terminal Cover		1
N.I.	1171864042	Protection Wiring Harness		1
N.I.	1114039165	Wiring Harness Assembly		1



ITEM	PART N°	DESCRIPTION Ex View P09113098574	QTY
111	4055125068	Inlet Hose Aqua-Control x 1800mm Long	1
112	1173680305	Discharge Hose Install Black x2230mm Long	1
120	1119161105	Drain Filter Assembly	1
120B	1119209011	Filter Flat	1
127	1119164018	Hose Sump Heater	1
127A	1119165007	Hose Heater Circulation Pump	1
127B	1119155040	Hose Water Softener Sump	1
130	1119186003	O-Ring Sump	1
130A	1523119012	Seal Channel Drainage	1
130C	N.P.A.	Round Seal Container Cup	-
132	1119158119	Lower Spray Arm Support	1
135A	140000409015	Channel Drainage Grey Complete	1
139	1119208211	Lower Spray Arm Grey x322.6mm Long	1
139A	1119159315	Upper Spray Arm Grey x450mm Long	1
140	1170481533	Container Cup Small Electronic	1
145	1119447108	Manifold Inner Grey x691.9mm Long	1
155	1119151270	Water Sump Assembly	1
160	1113161010	Flow Control Regulator	1
303	1171581026	Basement	1
320	1526272107	Grill Vapour Outlet Dark Grey	1
520	N.P.A.	Flange Discharge Pipe	-
521	N.P.A.	Stopper Drainage Hose	-
N.I.	1529175109	Fixing Clamp Sensor 35.6	1
N.I.	1400000592015	Sealing Pressure Switch	1



P09113096845

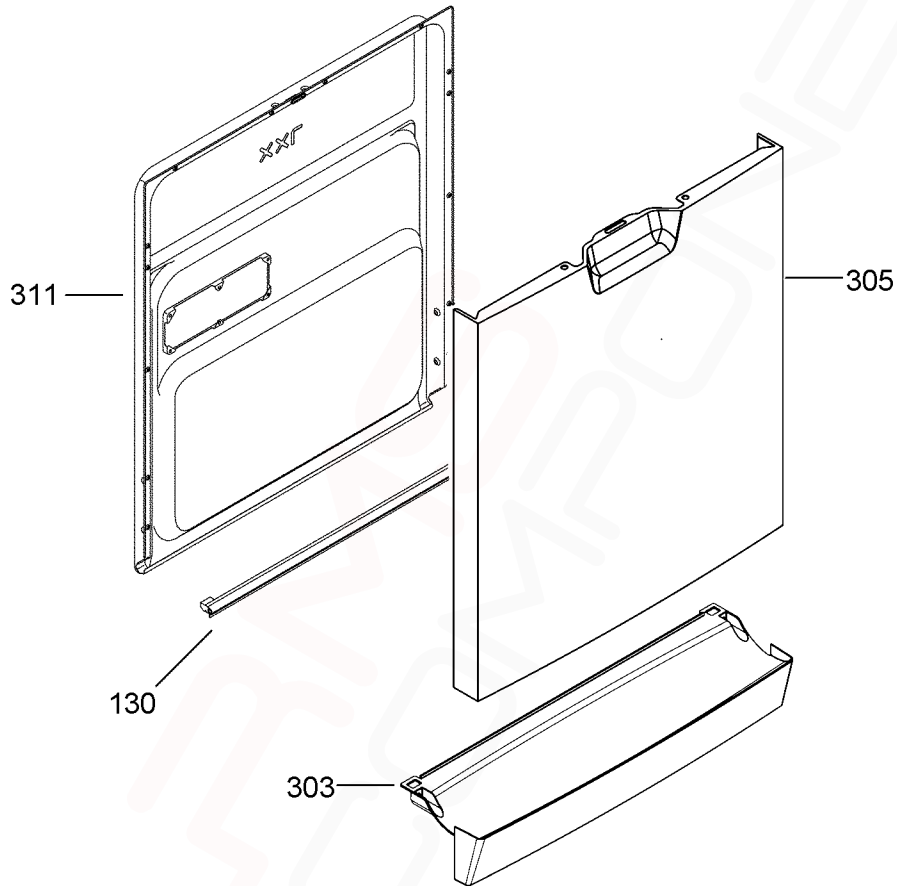
P09113175109

MODEL: ESF6700ROX

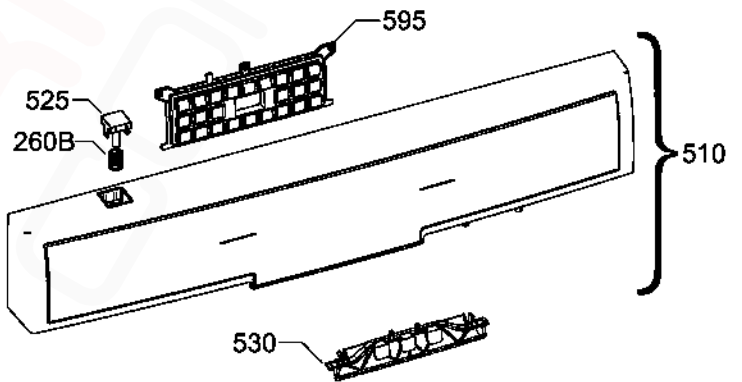
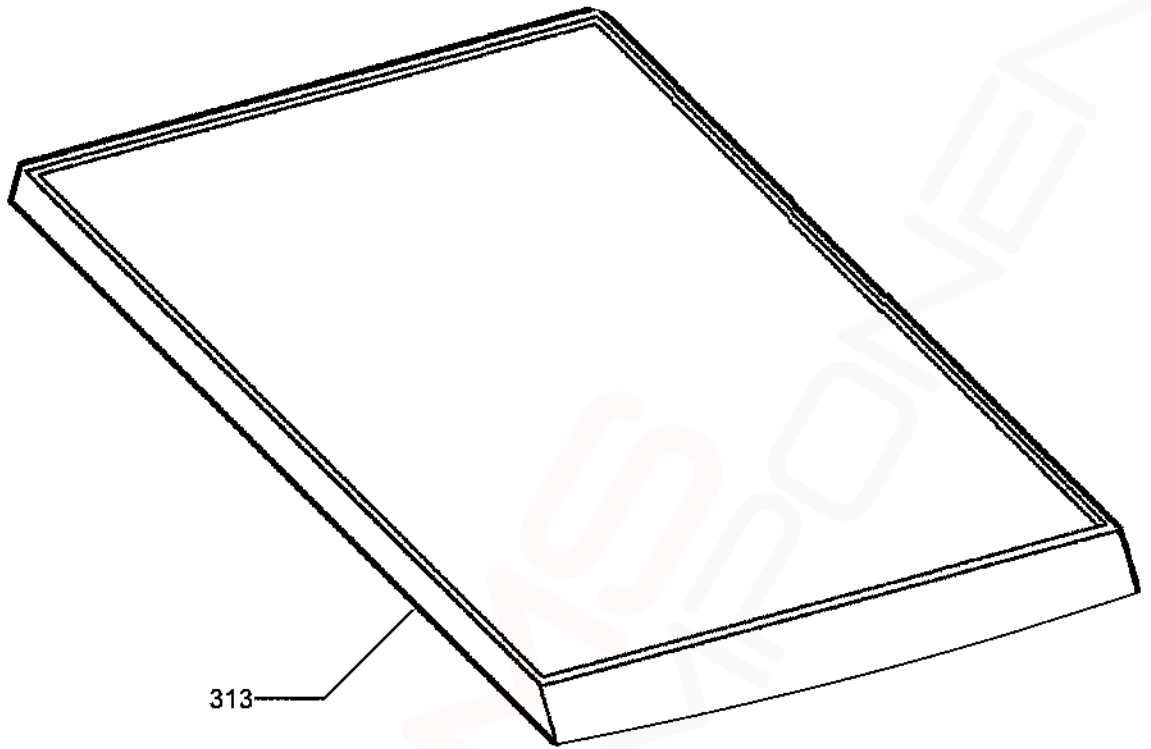
PNC 911417033 00

**EX. VIEW P09113096845
REGENERATION TANK
ASSEMBLY**

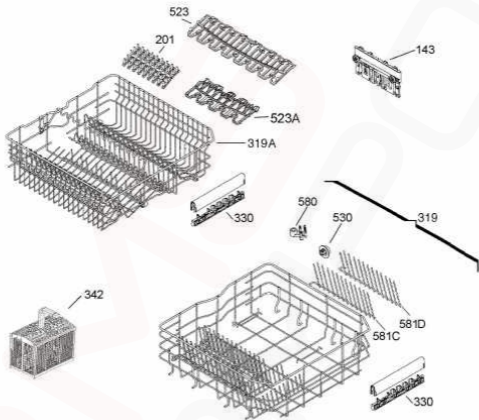
ITEM	PARTN°	DESCRIPTION	Ex. View P09113096845	QTY
117	1174849008	Water Softener Complete		1
127	1119195103	Nut Water Softener		1
130	1119196010	Gasket Water Softener		1
130A	1526505001	Grommet Decalcifier H=13mm		1
521	1119192100	Cap Water Softener		1
589	1172107300	Filling Funnel Dishwasher Salt Transparent		1



ITEM	PART N°	DESCRIPTION	Ex. P09113082772	QTY
130	1173419001	Door Gasket Bottom Black x 546mm Long		1
303	1173371228	Plinth Silver		1
305	1173369214	Door Inox		1
311	4055075539	Inner Door Complete		1
N.I.	1173234004	Plastic Rivet Door Ø12mm x 19mm Long		2



ITEM	PART N°	DESCRIPTION	Ex. P09113170728	QTY
260B	1173192004	Spring On/Off Button		1
313	1173175108	Work Top Grey 597x595mm		1
510	140001591118	Control Panel Inox ESF6700ROX		1
525	1174181204	Push Button On/Off		1
530	1174184109	Handle Grey		1
595	1174409019	Diffuser Support		1



ITEM	PARTN°	DESCRIPTION	Ex View P09113029907	QTY
143	1173884428	Adjustment Right		1
	1173884527	Adjustment Left		1
201	1119349312	Spikes Rubber		2
319	1171745027	Dishwasher Basket Bottom Silver		1
319A	1119234712	Dishwasher Basket Upper		1
330	1380176014	Handle Dishwasher Basket Rear Grey		1
	1380192011	Handle Basket Front Lt/Grey Electrolux		1
342	1119330213	Cutlery Basket Grey Assy 254x258x133mm		1
523	1172468215	Support Cup Grey Long		1
523A	1172467217	Support Cup Grey Short		2
530	4055072138	Wheel Kit 8 (Pieces).		1
580	1171867102	Fixing Clamp Partition		2
581C	1172588004	Partition Left x 333 Long		1
	1172588103	Partition Right x 333 Long		1