

Electrolux

ELECTROLUX HOME PRODUCTS PTY LTD

ABN 51 004 762 341

Technical Publication Nº DW375

Issue: 1

Date: 12/12

ELECTROLUX ELECTRONIC DISHWASHER

**TO BE USED IN CONJUNCTION WITH
CIRCUIT and WIRING DIAGRAM PUBLICATION - DW230.**

MODEL:

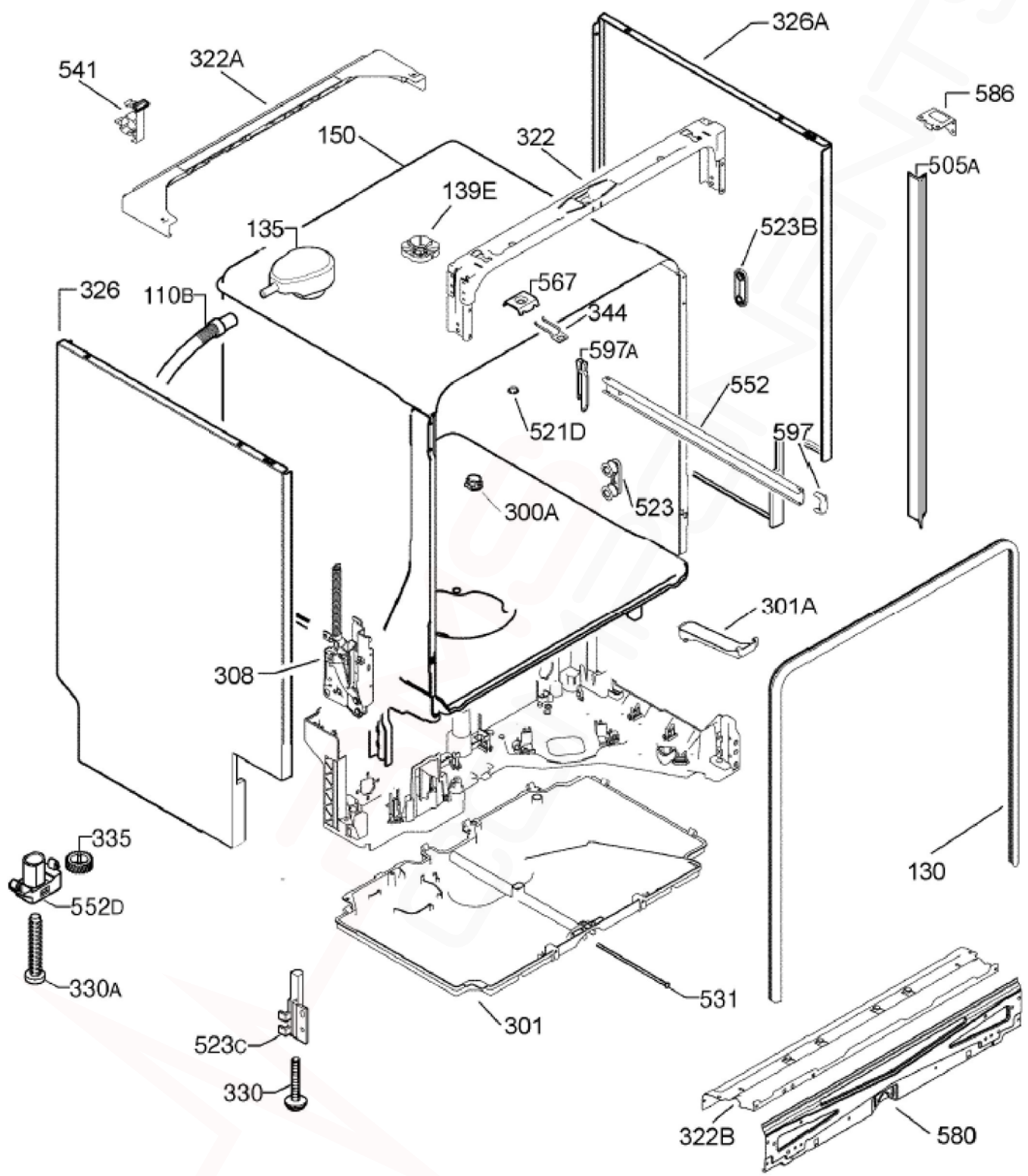
**ESF66814XR
PNC 911444035 04**

| | |
|-------------------------------|--|
| VARIANT CHANGE SUMMARY | |
|-------------------------------|--|

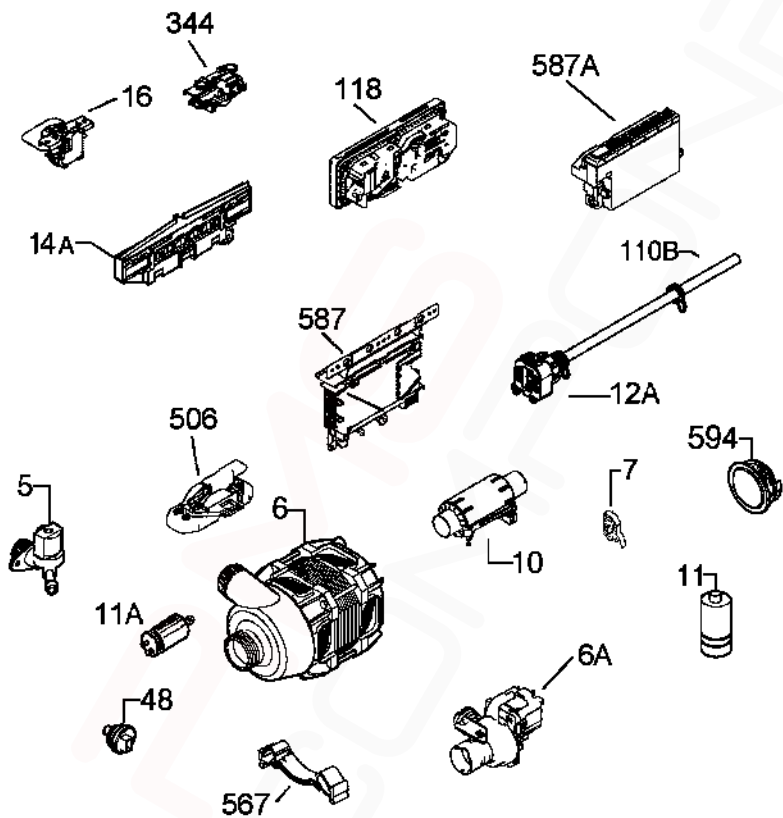
| | |
|-----------|--|
| 04 | PCB, Harness Board-Indicator Lamp, Top Basket Adjustment Plates L/R & Top Basket |
|-----------|--|

| | |
|-------------|--|
| SAFR | |
|-------------|--|

| | |
|---------------------------|----------|
| ESF66814XR / 911444035 04 | Dec 2012 |
|---------------------------|----------|

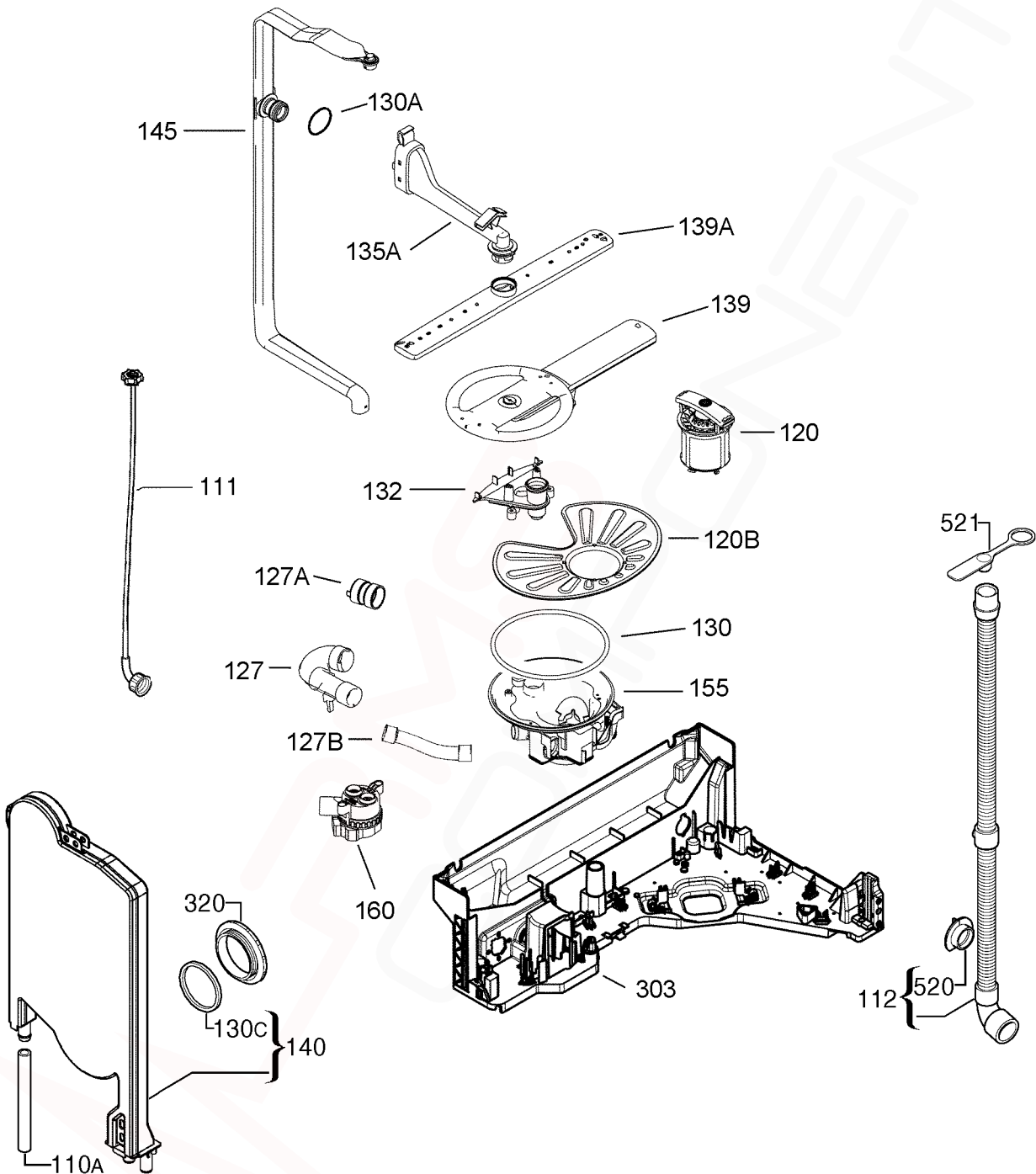


| ITEM | PART N° | DESCRIPTION Ex. P09113085259 | QTY |
|------|-----------------|--|-----|
| 110B | 1172814202 | Drying Pipe Grey x 795mm Long | 1 |
| 130 | 1171580002 | Sealing Door x 1800mm Long | 1 |
| 135 | 1171458217 | Drying Activator | 1 |
| 139E | 1119307013 | Spray Arm Top Nut | 1 |
| 150 | N.P.A. | Tub Assembly | - |
| 300A | 1119183000 | Cover Bottom Sprayer | 1 |
| 301 | 1171563024 | Bottom Tray | 1 |
| 301A | 4055138376 | Kit Overflow Hose | 1 |
| 308 | 4055179925 | Hinge Kit Right-Left | 1 |
| 322 | 1171564733 | Crossbar Front Upper | 1 |
| 322A | 1172379115 | Crossbar Back Upper | 1 |
| 322B | 1171561051 | Cross Piece Front Bottom | 1 |
| 326 | 1174320224 | Side Panel Left Zinc-Plated | 1 |
| 326A | 1174320323 | Side Panel Right Zinc-Plated | 1 |
| 330 | 1526617-02/0 | Adjustable Foot Front x 122mm Long | 2 |
| 330A | 1173632009 | Adjustable Foot Central x 129mm Long | 1 |
| 335 | 1527142-00/2 | Cog Wheel | 1 |
| 344 | 1522344-05/8 | Latch | 1 |
| 505A | 1522222635 | Trimming Side x 609mm Long | 2 |
| 521D | 1526576101 | Hole Cover Latch | 1 |
| 523 | 50299970009 | Wheel Support Kit Dark Grey (4 Pieces) | 1 |
| 523B | 1521220-10/1 | Stiffening Holder Roller | 4 |
| 523C | 1526315047 | Foot Support Front Left | 1 |
| | 1526315-13/8 | Foot Support Front Right | 1 |
| 531 | 1171738006 | Adjusting Screw Foot Central | 1 |
| 541 | N.P.A. | Hose Clamp | - |
| 552 | 1171989005 | Basket Rail | 2 |
| 552D | 1173633007 | Guidance Rail Foot Central | 1 |
| 567 | 1523236-03/0 | Plaque | 1 |
| 580 | 1171654120 | Closure Front Bottom | 1 |
| 586 | 1172870014 | Fixing Bracket Top | 2 |
| 597 | 1520479401 | Basket Stop Upper Front | 2 |
| 597A | 8996461234-05/7 | Stopper Back Dark Grey | 2 |
| N.I. | ES6060 | Foil Aluminium Adhesive | 1 |
| N.I. | 1173722008 | Sponge Water Tank | 1 |
| N.I. | 1174277002 | Grommet Side Mounting | 2 |



P09113154275

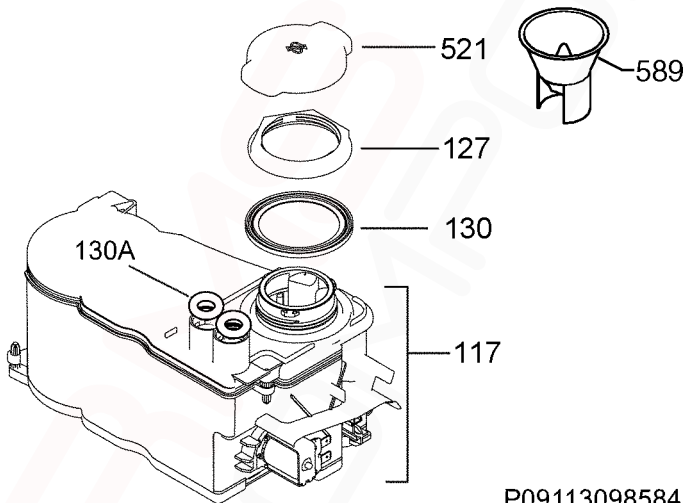
| ITEM | PART N° | DESCRIPTION | Ex. P09113154275 | QTY |
|------|-----------------|--|------------------|-----|
| 5 | 1170958118 | Fill Valve 2.5l/Min | | 1 |
| 6 | 140000696017 | Circulation Pump Tachometer Asynchronous | | 1 |
| 6A | 3286041615 | Drain Pump 240V 50Hz 30W | | 1 |
| 7 | 1113183022 | Microswitch Lamp | | 1 |
| 10 | 50297618-00/6 | Heater 230V/2000W Ø32mm | | 1 |
| 11 | 3286023506 | Interference Suppressor | | 1 |
| 11A | 1115927012 | Capacitor Motor 3µf | | 1 |
| 12A | 1174745107 | Analogic Pressure Switch Complete | | 1 |
| 14A | 1113146003 | Led PCB | | 1 |
| 16 | 1113337024 | Main Switch Auto OFF | | 1 |
| 48 | 1113368003 | Turbidity Sensor NTC | | 1 |
| 110B | 1526815707 | Hose Pressure Switch Ø10 x 260mm Long | | 1 |
| 118 | 140000775019 | Dispenser Detergent Reed | | 1 |
| 344 | 1113150401 | Door Lock Assembly | | 1 |
| 506 | 1113174039 | Float Switch Assembly | | 1 |
| 567 | 1173024009 | Motor Support Rubber | | 1 |
| 587 | 973911444035043 | Configured Electronic EDW1xxx | | 1 |
| 587A | 1113363012 | User Interface Board EDW1503 | | 1 |
| 594 | 4055194973 | Collar Lens Complete | | 1 |
| | | | | |
| N.I. | 1173704006 | Rubber Drain Pump | | 1 |
| N.I. | 1114035114 | Harness Main Elect Board Door Indicator Lamp | | 1 |
| N.I. | 1114038019 | Wiring Harn Main Elect Board User Interface | | 1 |
| N.I. | 1114040163 | Harness Complete | | 1 |
| N.I. | 1170862310 | Power Cable AUS/NZ | | 1 |
| N.I. | 1170897308 | Terminal Cover | | 1 |
| N.I. | 1171023110 | Protection Detergent Dispenser | | 1 |
| N.I. | 1171864042 | Protection Wiring Harness | | 1 |



9113090270

MODEL: ESF66814XR**PNC 911444035 0(****EX. VIEW P09113090270
SUMP, PUMP &
HYDRAULICS SYSTEM**

| ITEM | PART N° | DESCRIPTION | Ex. P09113090270 | QTY |
|-------------|----------------------|--|-------------------------|------------|
| 110A | 1174356103 | Tube Container Cup Fill Valve x 250mm Long | | 1 |
| 111 | 1528190000 | Inlet Hose x 1500mm Long | | 1 |
| 112 | 1173680305 | Discharge Hose Black x 2230mm Long | | 1 |
| 120 | 1119161105 | Drain Filter Assembly | | 1 |
| 120B | 1119209011 | Filter Flat | | 1 |
| 127 | 1119164018 | Hose Sump Heater | | 1 |
| 127A | 1119165007 | Hose Heater Circulation Pump | | 1 |
| 127B | 1119155040 | Hose Water Softener Sump | | 1 |
| 130 | 1119186003 | O-Ring Sump | | 1 |
| 130A | 1523119012 | Seal Channel Drainage | | 1 |
| 130C | N.P.A. | Round Seal Container Cup | | 1 |
| 132 | 1119158119 | Lower Spray Arm Support | | 1 |
| 135A | 140000409015 | Channel Drainage Grey Complete | | 1 |
| 139 | 1119208120 | Lower Spray Arm Grey x 322.6mm | | 1 |
| 139A | 1119159315 | Upper Spray Arm Grey x 450mm | | 1 |
| 140 | 1170481533 | Container Cup Small Electronic | | 1 |
| 145 | 1119447108 | Manifold Inner Grey | | 1 |
| 155 | 1119151270 | Sump Assembly | | 1 |
| 160 | 1113161010 | Flow Control Regulator | | 1 |
| 303 | 1171581026 | Basement | | 1 |
| 320 | 1526272107 | Grill Vapour Outlet Dark Grey | | 1 |
| 520 | N.P.A. | Flange Discharge Pipe | | - |
| 521 | N.P.A. | Stopper Drainage Hose | | - |
| | | | | |
| N.I. | 1529175109 | Fixing Clamp Sensor 35.6 | | 1 |
| N.I. | 1400000592015 | Sealing Pressure Switch | | 1 |



P09113098584

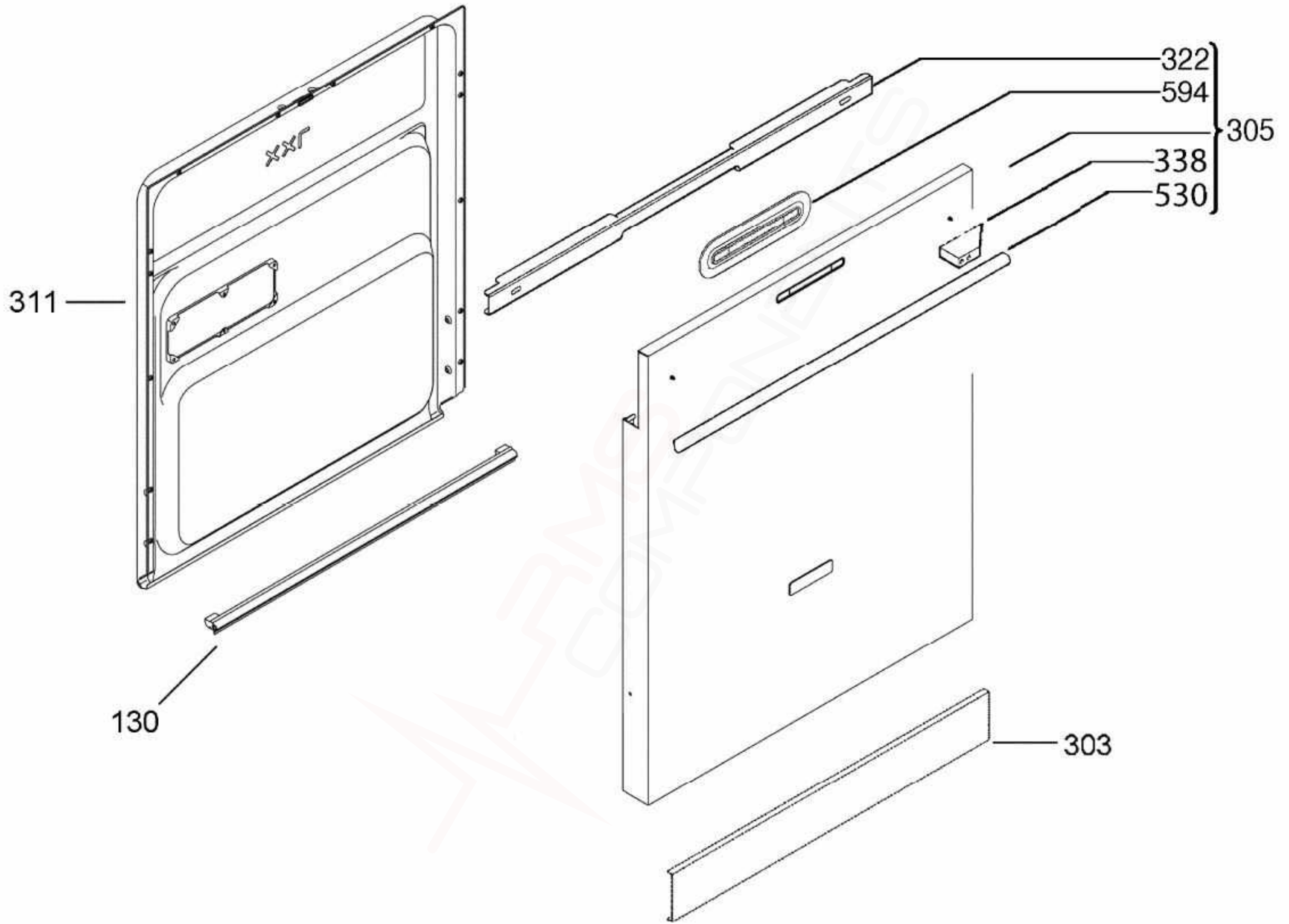
9113098584

MODEL: ESF66814XR

PNC 911444035 0(

**EX. VIEW P09113098584
REGENERATION TANK
ASSEMBLY**

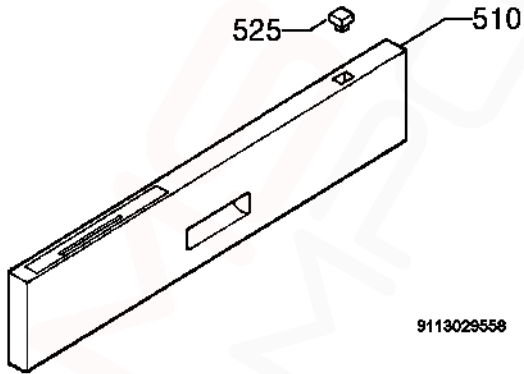
| ITEM | PART N° | DESCRIPTION | Ex. P09113098584 | QTY |
|-------------|-------------------|--|-------------------------|------------|
| 117 | 1174849008 | Water Softener Assembly | | 1 |
| 127 | 1119195103 | Nut Water Softener | | 1 |
| 130 | 1119196010 | Gasket Water Softener | | 1 |
| 130A | 1526505001 | Grommet Decalcifier | | 2 |
| 521 | 1119192100 | Cap Water Softener | | 1 |
| 589 | 1172107300 | Filling Funnel Dishwasher Salt Transparent | | 1 |



9113085725

MODEL: ESF66814XR**PNC 911444035 0(****EX. VIEW P09113085725
DOOR COMPLETE
ASSEMBLY**

| ITEM | PART N° | DESCRIPTION | Ex. P09113085725 | QTY |
|-------------|-----------------------|---------------------------------------|-------------------------|------------|
| 130 | 1173419001 | Door Gasket Bottom Black x 546mm Long | | 1 |
| 303 | 1173238401 | Plinth Inox | | 1 |
| 305 | 1173356401 | Door Inox Complete | | 1 |
| 311 | 4055079539 | Inner Door | | 1 |
| 322 | 1529313023 | Crossbar Door | | 1 |
| 338 | 3871935-00/7 | Adaptor Door Handle Inox | | 2 |
| 530 | 387% * (\$\$, | Door Handle High-Grade Steel | | 1 |
| 594 | 1529318014 | Indicating Glass Door | | 1 |
| | | | | |
| N.I. | 3286551308 | Kit Built-In | | 1 |
| N.I. | 1173234004 | Plastic Rivet Door Ø12mm x 19mm | | 2 |



9113029558

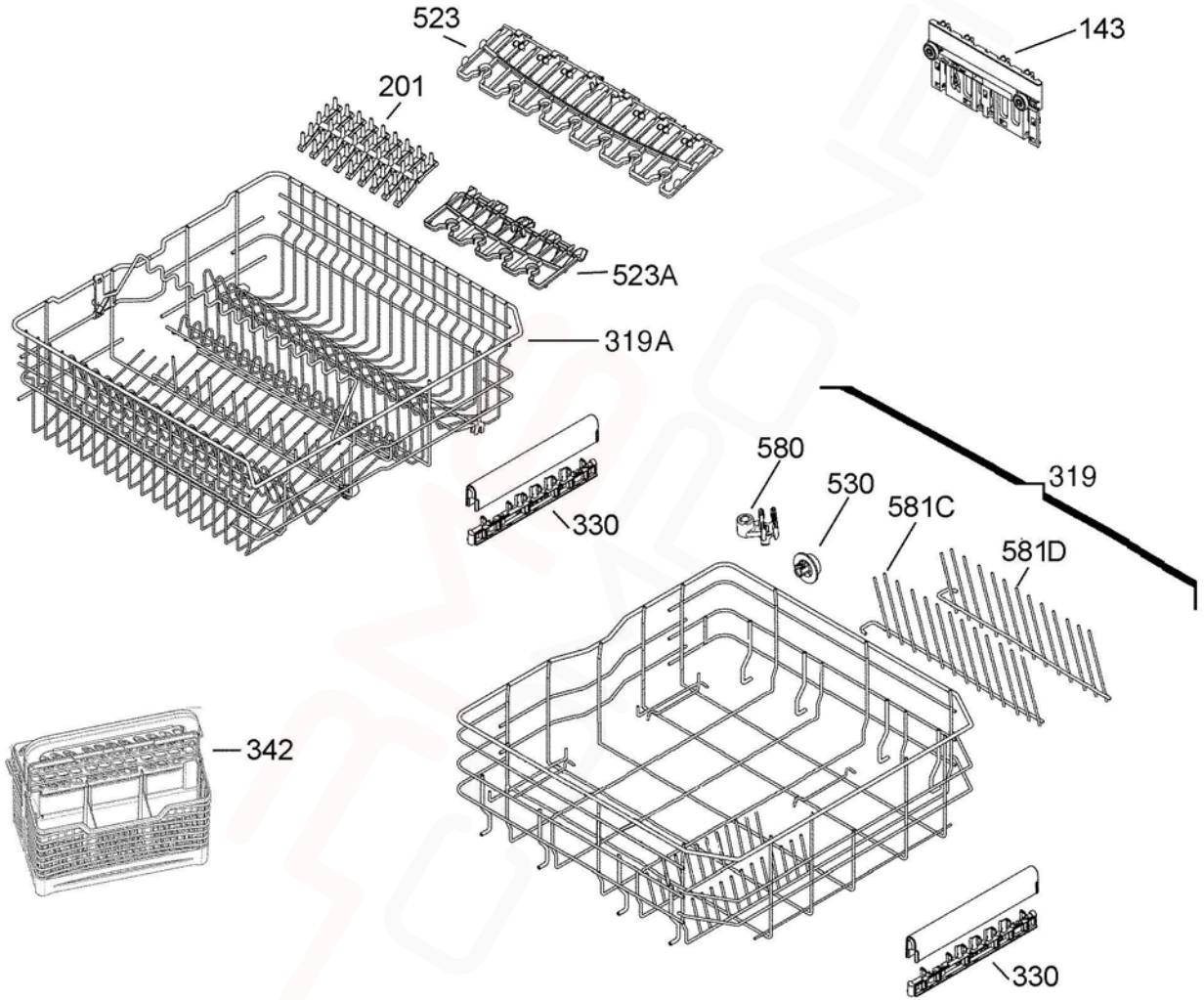
9113029558

MODEL: ESF66814XR

PNC 911444035 0(

**EX. VIEW 9113029558
CONTROL PANEL
ASSEMBLY**

| ITEM | PART N° | DESCRIPTION | Ex. 9113029558 | QTY |
|-------------|---------------------|--|-----------------------|------------|
| 510 | 1173364033 | Control Panel Silkscreened Inox Electrolux | | 1 |
| 525 | 1171114-10/9 | Push Button ON/OFF Inox | | 1 |



| ITEM | PART N° | DESCRIPTION | Ex. P09113086638 | QTY |
|-------------|-------------------|------------------------------------|-------------------------|------------|
| 143 | 1173884220 | Adjustment Right | | 1 |
| | 1173884329 | Adjustment Left | | 1 |
| 201 | 1119349205 | Spikes Rubber | | 2 |
| 319 | 1171745027 | Dishwasher Basket Bottom Dark Grey | | 1 |
| 319A | 1119234712 | Dishwasher Basket Upper Dark Grey | | 1 |
| 330 | 4055072120 | Handle Complete | | 2 |
| 342 | 1119343109 | Cutlery Basket Grey 244x258x144mm | | 1 |
| 523 | 1172468116 | Support Cup Grey Long | | 1 |
| 523A | 1172467118 | Support Cup Grey Short | | 2 |
| 530 | 4055072138 | Wheel Kit (8 Pieces) | | 1 |
| 580 | 1171867102 | Fixing Clamp Partition | | 4 |
| 581C | 1172588004 | Partition Left x 333mm Long | | 2 |
| 581D | 1172588103 | Partition Right x 333mm Long | | 2 |