



Electrolux

ELECTROLUX HOME PRODUCTS PTY LTD

ABN 51 004 762 341

Technical Publication Nº DW373

Issue: 1

Date: 12/12

ELECTROLUX ELECTRONIC DISHWASHER

**TO BE USED IN CONJUNCTION WITH
CIRCUIT and WIRING DIAGRAM PUBLICATION - DW230.**

MODEL:

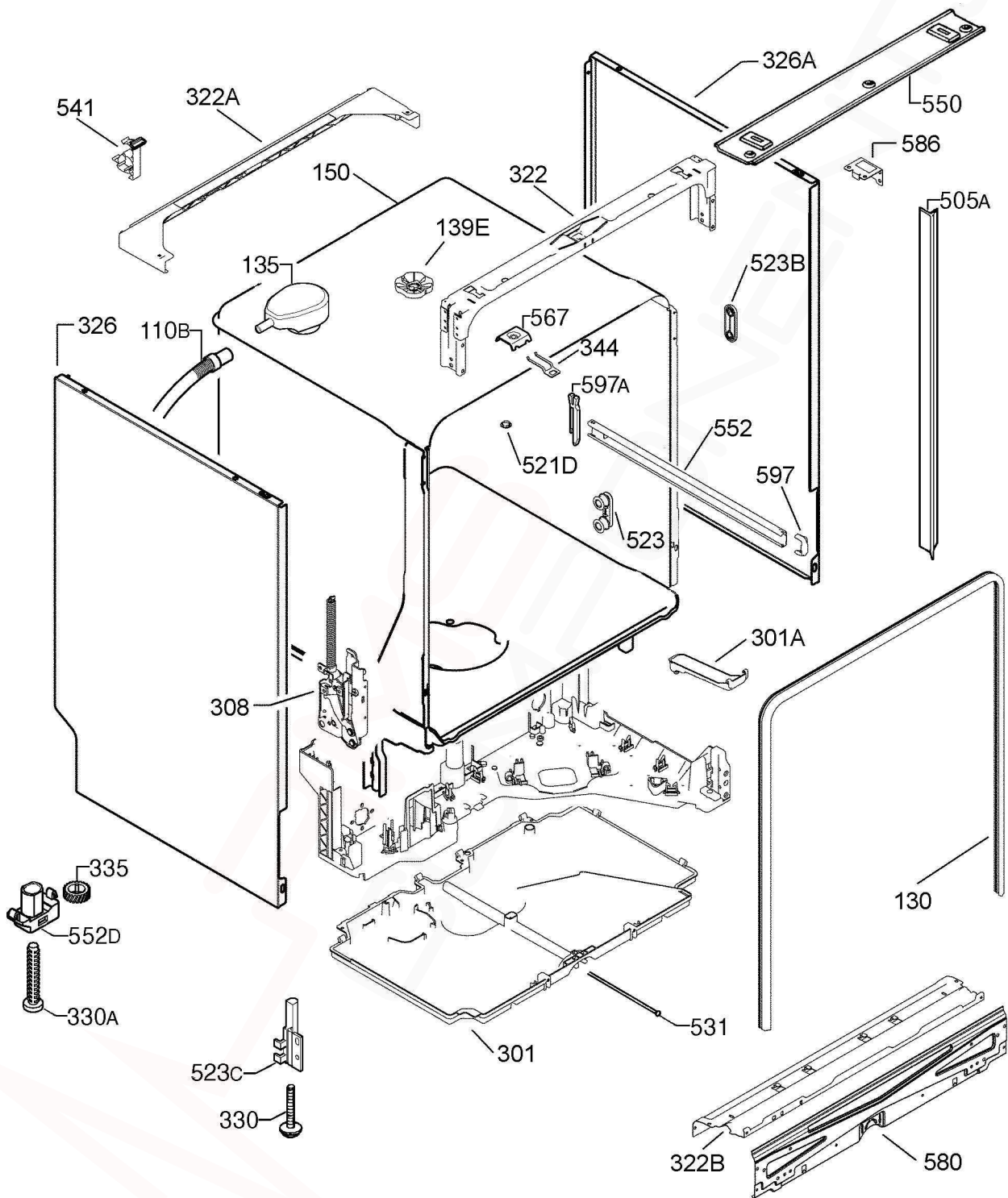
**ESF66814XR
PNC 911444035 03**

VARIANT CHANGE SUMMARY	
-------------------------------	--

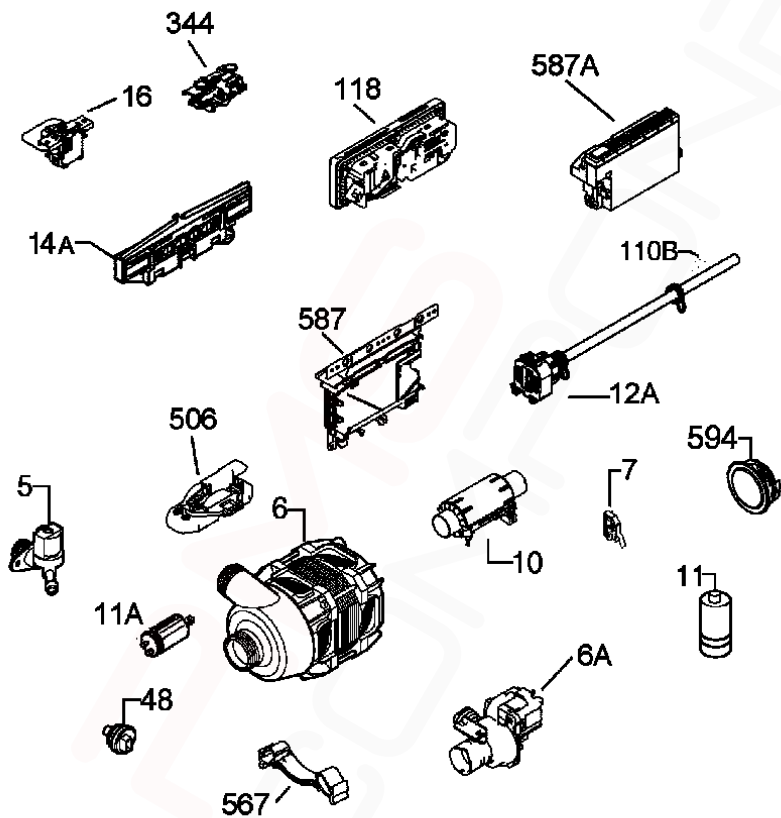
03	Tub (Not Spares Item), Hinge Kit, Side Panels L/R, Door Latch, Circulation Pump, Drain Pump, Pressure Switch Complete, Hose Pressure Switch, Interference Suppressor, Detergent Dispenser, Interior Light, Sump, Door Inner Panel, Control Panel, P.C.B. & Harness
-----------	--

SAFR	
-------------	--

ESF66814XR / 911444035 03	11/2012
---------------------------	---------

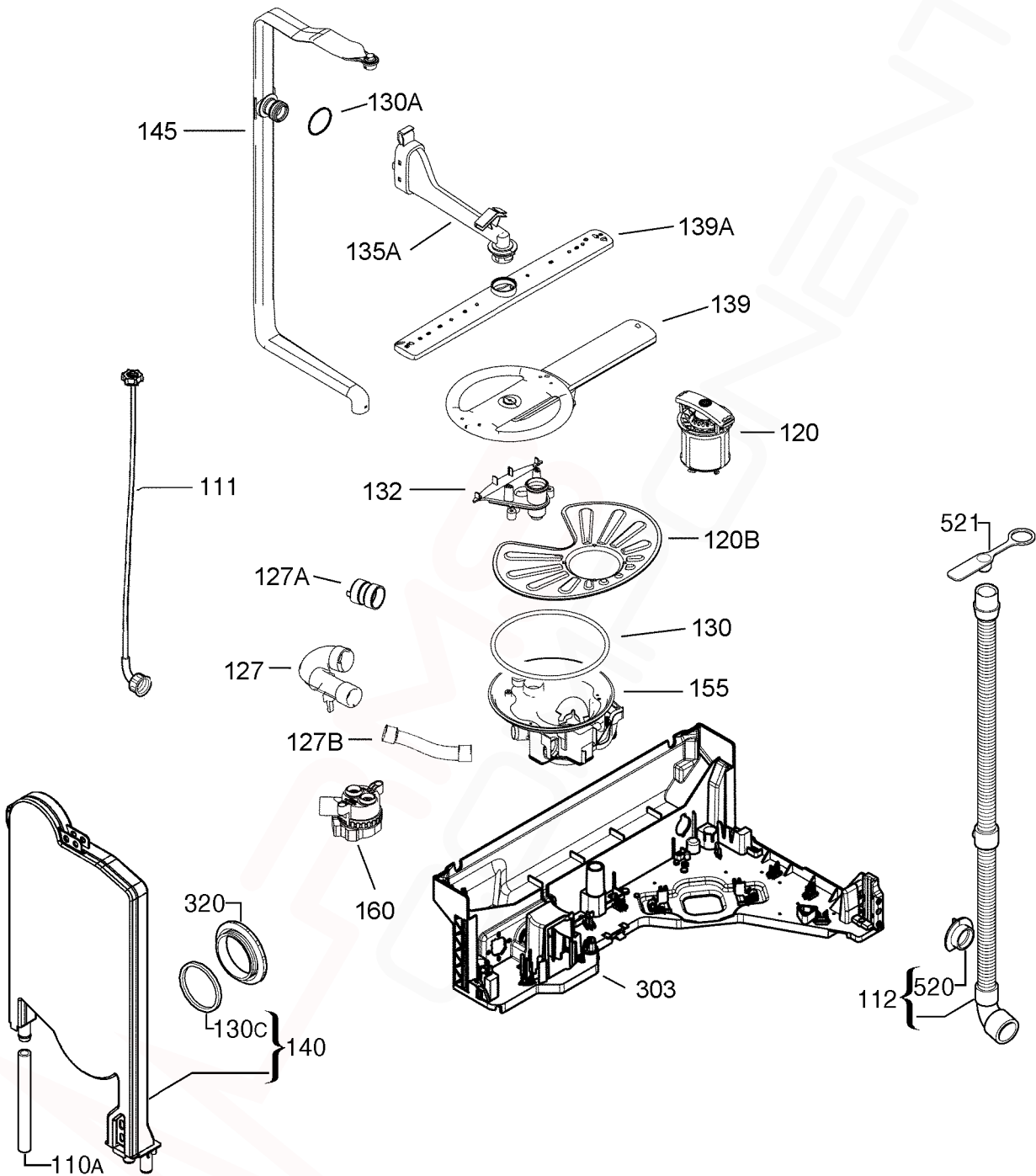


ITEM	PART N°	DESCRIPTION	Ex. P09113084940	QTY
110B	1172814202	Drying Pipe Grey x 795mm Long		1
130	1171580002	Sealing Door x 1800mm Long		1
135	1171458217	Drying Activator		1
139E	1119307013	Spray Arm Top Nut		-
150	N.P.A.	Tub Assembly		1
300A	1119183000	Cover Bottom Sprayer		1
301	1171563024	Bottom Tray		1
301A	4055138376	Kit Overflow Hose		1
308	4055179925	Hinge Kit Right-Left		1
322	1171564733	Crossbar Front Upper		1
322A	1172379115	Crossbar Back Upper		1
322B	1171561051	Cross Piece Front Bottom		1
326	1174320224	Side Panel Left Zinc-Plated		1
326A	1174320323	Side Panel Right Zinc-Plated		1
330	1526617-02/0	Adjustable Foot Front x 122mm Long		2
330A	1173632009	Adjustable Foot Central x 129mm Long		1
335	1527142-00/2	Cog Wheel		1
344	1522344-05/8	Latch		1
521D	1526576101	Hole Cover Latch		1
523	50299970009	Wheel Support Kit Dark Grey (4 Pieces)		1
523B	1521220-10/1	Stiffening Holder Roller		4
523C	1526315047	Foot Support Front Left		1
	1526315-13/8	Foot Support Front Right		1
531	1171738006	Adjusting Screw Foot Central		1
541	N.P.A.	Hose Clamp		-
550	ES6060	Foil Aluminium Adhesive (not as illustrated)		1
552	1171989005	Basket Rail		2
552D	1173633007	Guidance Rail Foot Central		1
567	1523236-03/0	Plaque		1
580	1171654120	Closure Front Bottom		1
586	1172870014	Fixing Bracket Top		2
597	1520479401	Basket Stop Upper Front		2
597A	8996461234-05/7	Stopper Back Dark Grey		2
N.I.	1173722008	Sponge Water Tank		1
N.I.	1174277002	Grommet Side Mounting		2

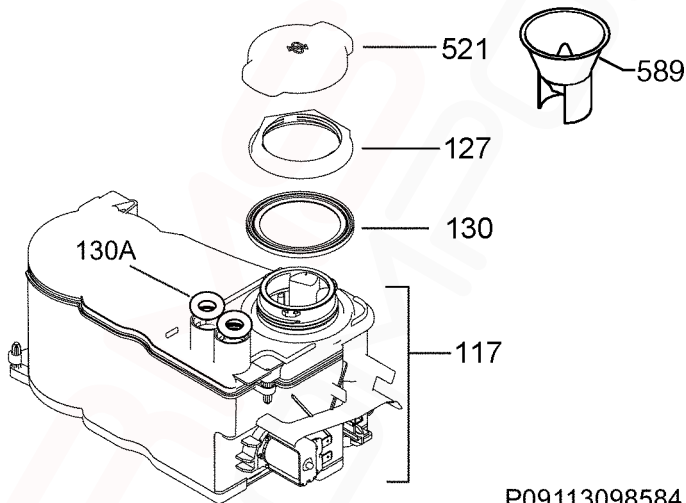


P09113154275

ITEM	PART N°	DESCRIPTION	Ex. P09113154275	QTY
5	1170958118	Fill Valve 2.5l/Min		1
6	140000696017	Circulation Pump Tachometer Asynchronous		1
6A	3286041615	Drain Pump 240V 50Hz 30W		1
7	1113183022	Microswitch Lamp		1
10	50297618-00/6	Heater 230V/2000W Ø32mm		1
11	3286023506	Interference Suppressor		1
11A	1115927012	Capacitor Motor 3µf		1
12A	1174745107	Analogic Pressure Switch Complete		1
14A	1113146003	Led PCB		1
16	1113337024	Main Switch Auto OFF		1
48	1113368003	Turbidity Sensor NTC		1
110B	1526815707	Hose Pressure Switch Ø10 x 260mm Long		1
118	140000775019	Dispenser Detergent Reed		1
344	1113150401	Door Lock Assembly		1
506	1113174039	Float Switch Assembly		1
567	1173024009	Motor Support Rubber		1
587	973911444035035	Configured Electronic EDW1xxx		1
587A	1113363012	User Interface Board EDW1503		1
594	4055194973	Collar Lens Complete		1
N.I.	1173704006	Rubber Drain Pump		1
N.I.	1114035106	Harness Main Elect Board Door Indicator Lamp		1
N.I.	1114038019	Wiring Harn Main Elect Board User Interface		1
N.I.	1114040163	Harness Complete		1
N.I.	1170862310	Power Cable AUS/NZ		1
N.I.	1170897308	Terminal Cover		1
N.I.	1171023110	Protection Detergent Dispenser		1
N.I.	1171864042	Protection Wiring Harness		1



ITEM	PART N°	DESCRIPTION	Ex. P09113090270	QTY
110A	1174356103	Tube Container Cup Fill Valve x 250mm Long		1
111	1528190000	Inlet Hose x 1500mm Long		1
112	1173680305	Discharge Hose Black x 2230mm Long		1
120	1119161105	Drain Filter Assembly		1
120B	1119209011	Filter Flat		1
127	1119164018	Hose Sump Heater		1
127A	1119165007	Hose Heater Circulation Pump		1
127B	1119155040	Hose Water Softener Sump		1
130	1119186003	O-Ring Sump		1
130A	1523119012	Seal Channel Drainage		1
130C	N.P.A.	Round Seal Container Cup		1
132	1119158119	Lower Spray Arm Support		1
135A	140000409015	Channel Drainage Grey Complete		1
139	1119208120	Lower Spray Arm Grey x 322.6mm		1
139A	1119159315	Upper Spray Arm Grey x 450mm		1
140	1170481533	Container Cup Small Electronic		1
145	1119447108	Manifold Inner Grey		1
155	1119151270	Sump Assembly		1
160	1113161010	Flow Control Regulator		1
303	1171581026	Basement		1
320	1526272107	Grill Vapour Outlet Dark Grey		1
520	N.P.A.	Flange Discharge Pipe		-
521	N.P.A.	Stopper Drainage Hose		-
N.I.	1529175109	Fixing Clamp Sensor 35.6		1
N.I.	1400000592015	Sealing Pressure Switch		1



P09113098584

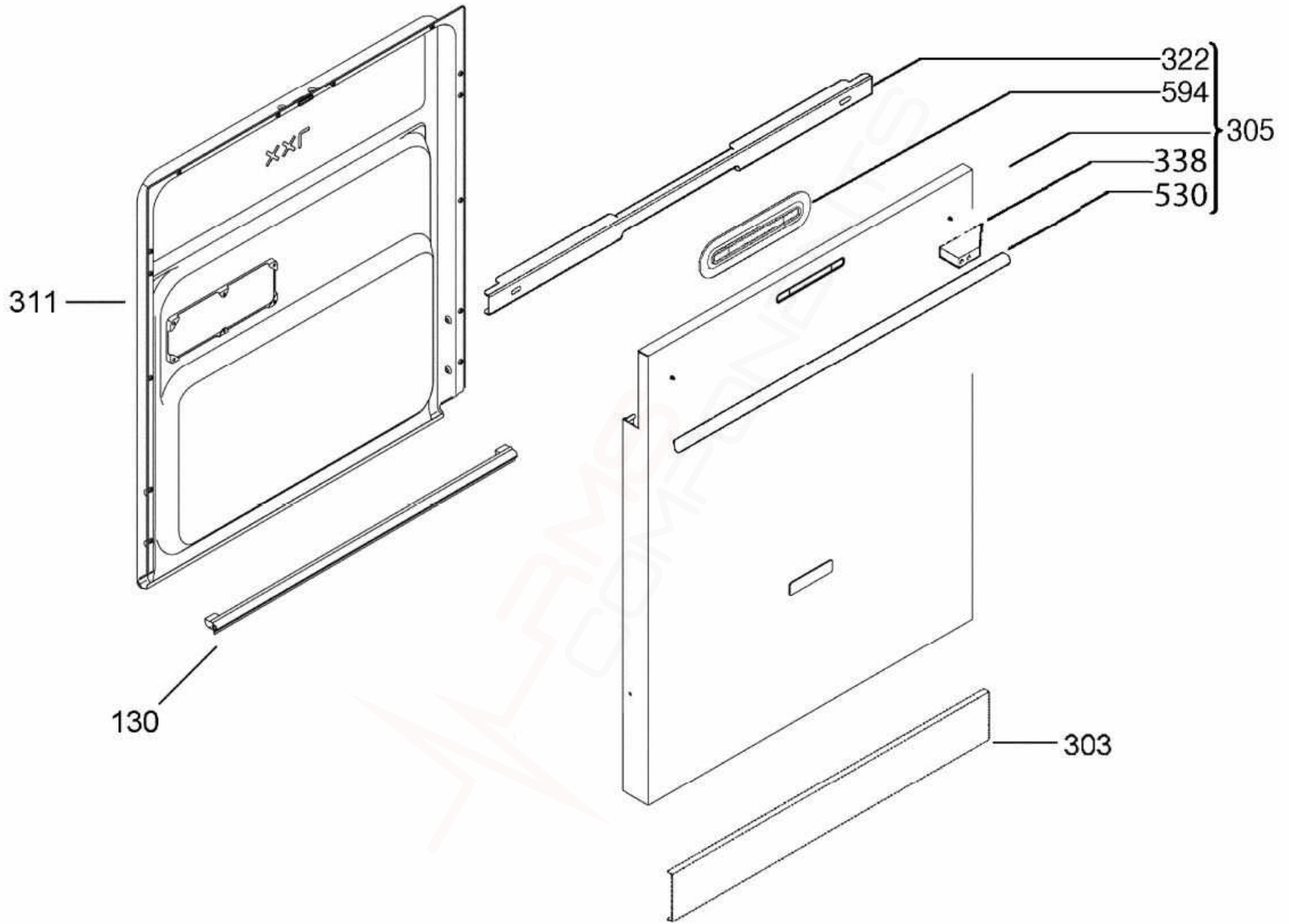
9113098584

MODEL: ESF66814XR

PNC 911444035 03

**EX. VIEW P09113098584
REGENERATION TANK
ASSEMBLY**

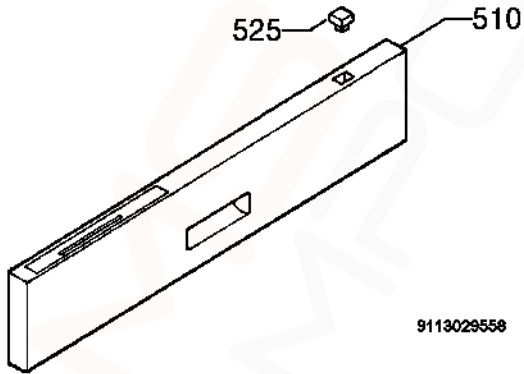
ITEM	PART N°	DESCRIPTION	Ex. P09113098584	QTY
117	1174849008	Water Softener Assembly		1
127	1119195103	Nut Water Softener		1
130	1119196010	Gasket Water Softener		1
130A	1526505001	Grommet Decalcifier		2
521	1119192100	Cap Water Softener		1
589	1172107300	Filling Funnel Dishwasher Salt Transparent		1



9113085725

MODEL: ESF66814XR**PNC 911444035 03****EX. VIEW P09113085725
DOOR COMPLETE
ASSEMBLY**

ITEM	PART N°	DESCRIPTION	Ex. P09113085725	QTY
130	1173419001	Door Gasket Bottom Black x 546mm Long		1
303	1173238401	Plinth Inox		1
305	1173356401	Door Inox Complete		1
311	4055079539	Inner Door		1
322	1529313023	Crossbar Door		1
338	3871935-00/7	Adaptor Door Handle Inox		2
530	3874267-01/0	Door Handle High-Grade Steel		1
594	1529318014	Indicating Glass Door		1
N.I.	3286551308	Kit Built-In		1
N.I.	1173234004	Plastic Rivet Door Ø12mm x 19mm		2



9113029558

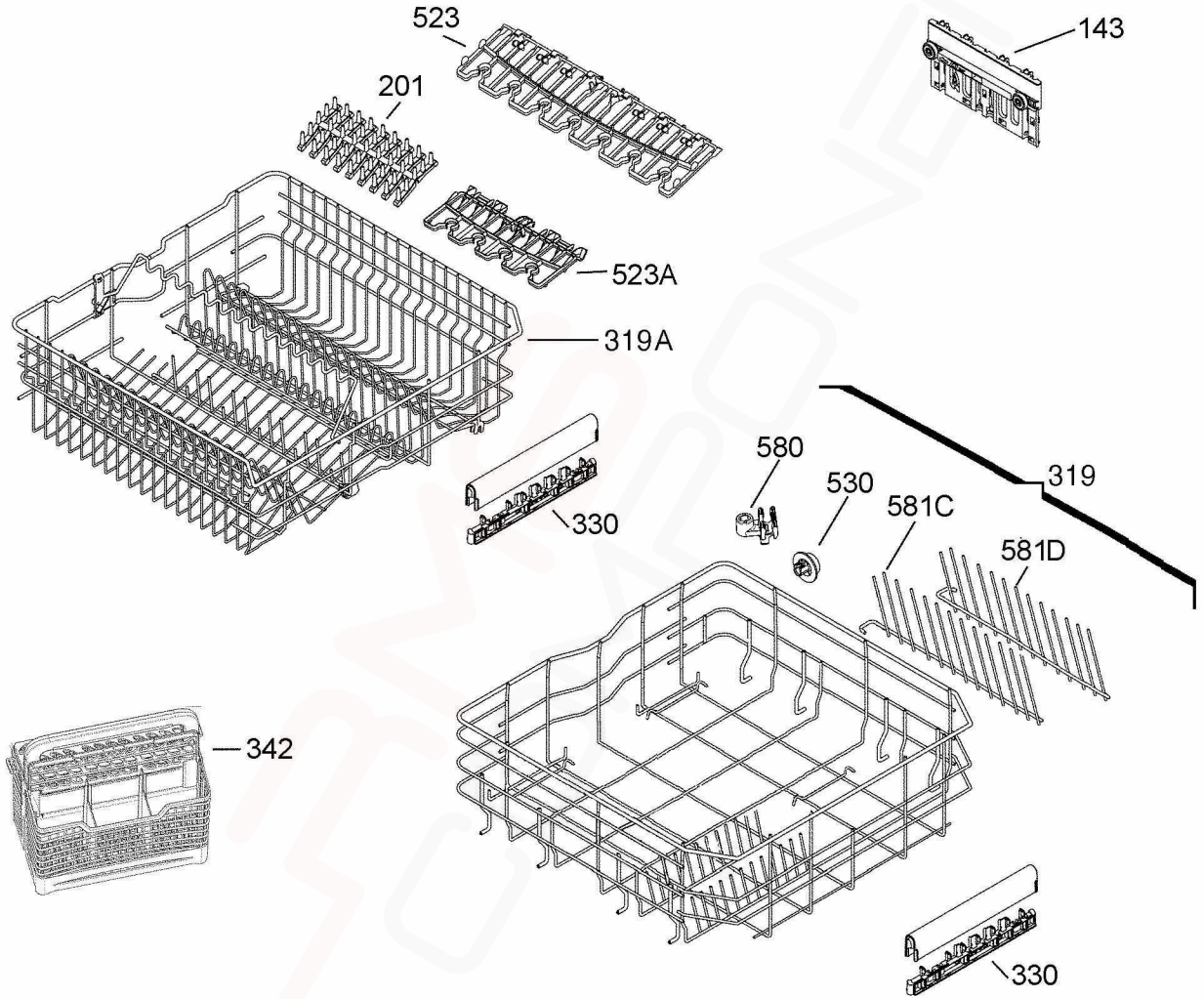
9113029558

MODEL: ESF66814XR

PNC 911444035 03

**EX. VIEW 9113029558
CONTROL PANEL
ASSEMBLY**

ITEM	PART N°	DESCRIPTION	Ex. 9113029558	QTY
510	1173364033	Control Panel Silkscreened Inox Electrolux		1
525	1171114-10/9	Push Button ON/OFF Inox		1



ITEM	PART N°	DESCRIPTION	Ex. P09113086638	QTY
143	1172471235	Adjustment Right		1
	1172471334	Adjustment Left		1
201	1119349205	Spikes Rubber		2
319	1171745027	Dishwasher Basket Bottom Dark Grey		1
319A	1119234373	Dishwasher Basket Upper Dark Grey		1
330	4055072120	Handle Complete		2
342	1119343109	Cutlery Basket Grey 244x258x144mm		1
523	1172468116	Support Cup Grey Long		1
523A	1172467118	Support Cup Grey Short		2
530	4055072138	Wheel Kit (8 Pieces)		1
580	1171867102	Fixing Clamp Partition		4
581C	1172588004	Partition Left x 333mm Long		2
581D	1172588103	Partition Right x 333mm Long		2