

Electrolux

ELECTROLUX HOME PRODUCTS PTY LTD

ABN 51 004 762 341

Technical Publication Nº RH333

Issue: 1

Date: 10/11

***ELECTROLUX
ELECTRONIC DISHWASHER***

**TO BE USED IN CONJUNCTION WITH
CIRCUIT and WIRING DIAGRAM PUBLICATION - DW230.**

MODEL:

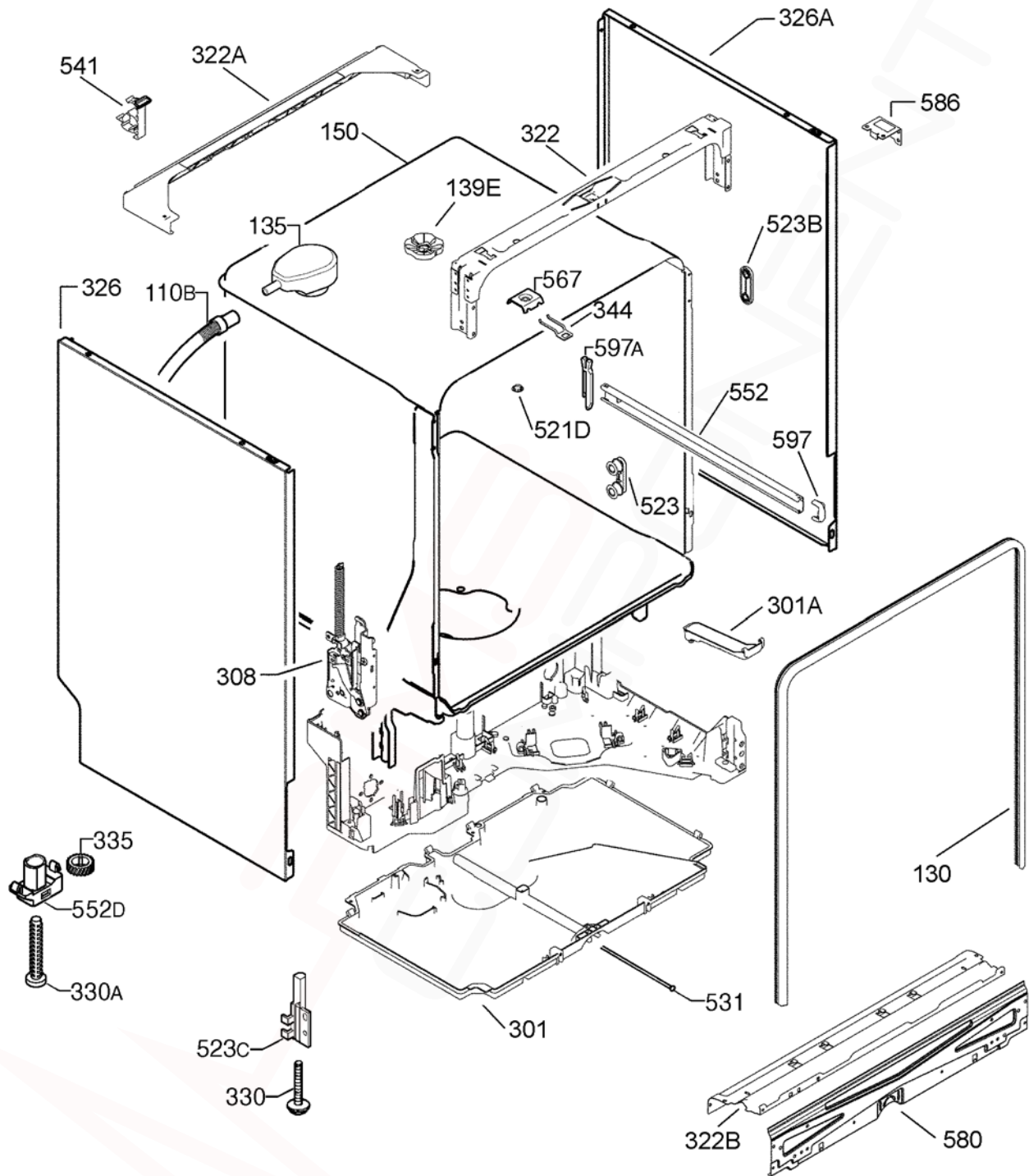
**ESF66814XR
PNC 911444035 01**

VARIANT CHANGE SUMMARY	
-------------------------------	--

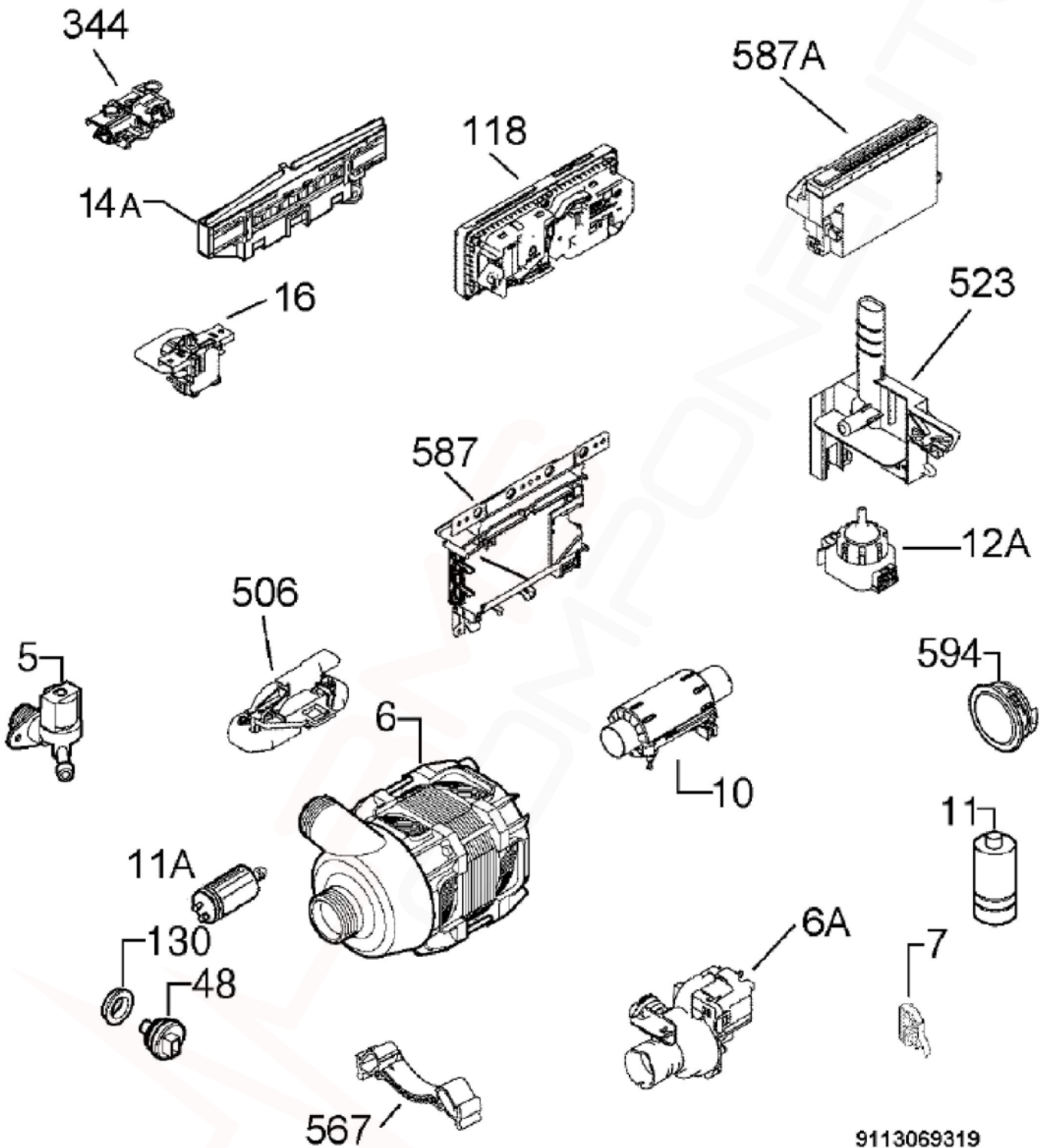
01	Modifications to Closure Front Bottom, Side Panels, Pressure Sensor, Sump, Door Zinc, Hinges, P.C.B. & Harness
-----------	--

SAFR	
-------------	--

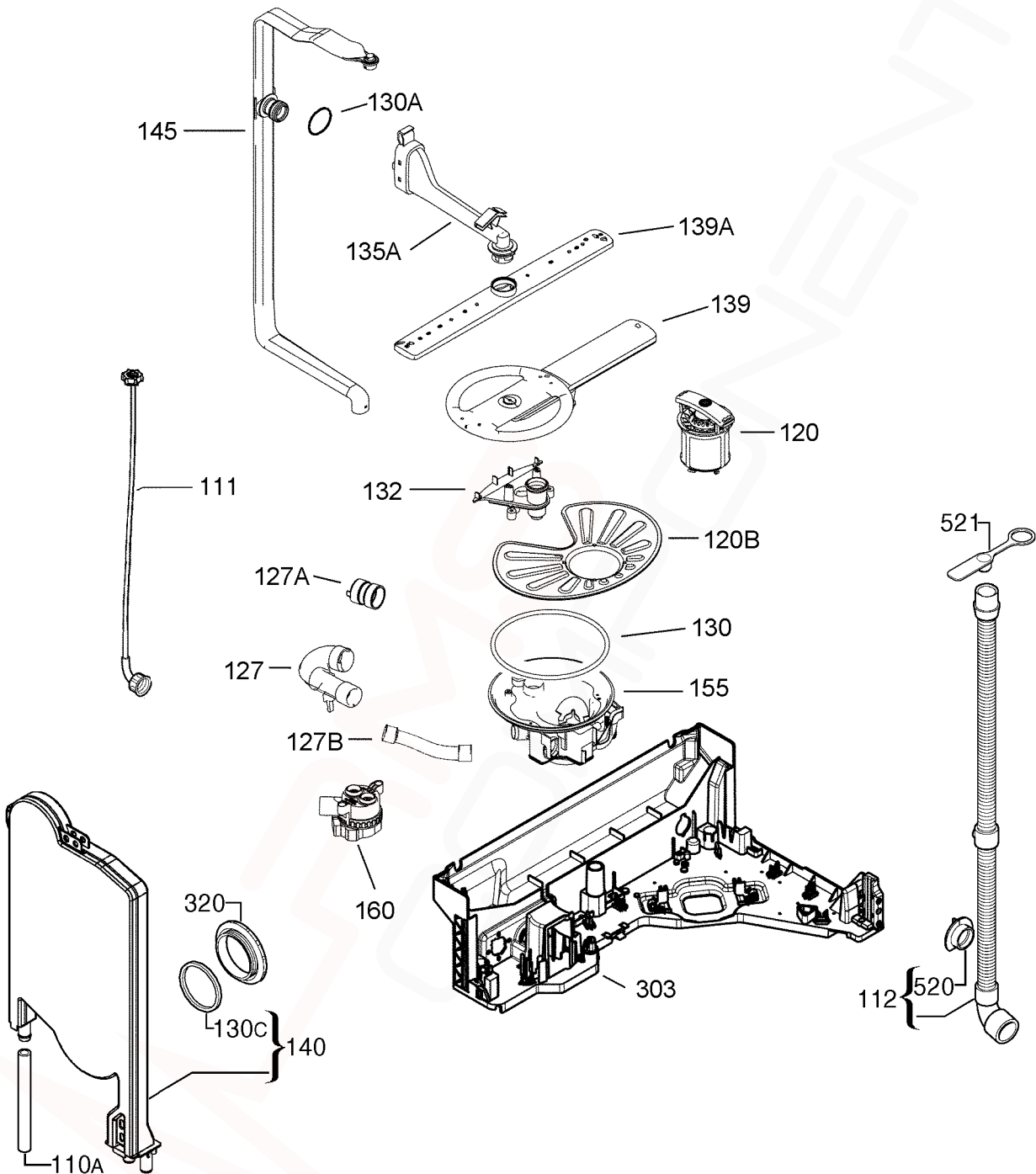
ESF66814XR / 911444035 01	10/2011
---------------------------	---------



ITEM	PART N°	DESCRIPTION Ex. P09113083362	QTY
110B	1172814202	Drying Pipe Grey x 795mm Long	1
130	1171580002	Sealing Door x 1800mm Long	1
135	1171458217	Drying Activator	1
139E	1119307013	Spray Arm Top Nut	1
150	N.P.A.	Tub	-
300A	1119183000	Cover Bottom Sprayer	1
301	1171563024	Bottom Tray	1
301A	4055138376	Kit Overflow Hose	1
308	4055155172	Hinge Assembly Left-Right	1
322	1171564717	Crossbar Front Upper	1
322A	1172379040	Crossbar Back Upper	1
322B	1171561051	Cross Piece Front Bottom	1
326	1174320000	Side Panel Left Zinc-Plated	1
326A	1174320109	Side Panel Right Zinc-Plated	1
330	1526617-02/0	Adjustable Foot Front	2
330A	1173632009	Adjustable Foot Central	1
335	1527142-00/2	Cog Wheel	1
344	1173444009	Latch Door Lock	1
521D	1526576101	Hole Cover Latch	1
523	50299970009	Wheel Support Kit Dark Grey (4 Pieces)	1
523B	1521220-10/1	Stiffening Holder Roller	1
523C	1526315047	Foot Support Front Left	1
523C	1526315-13/8	Foot Support Front Right	1
531	1171738006	Adjusting Screw Foot Central	1
541	N.P.A.	Hose Clamp	-
552	1171989005	Basket Rail	2
552D	1173633007	Guidance Rail Foot Central	1
567	1523236-03/0	Plaque (Speed Clip)	1
580	1171654120	Closure Front Bottom	1
586	1172870014	Fixing Bracket Top	2
597	1520479-30/2	Basket Stop Front Dark Grey	2
597A	8996461234-05/7	Stopper Back Dark Grey	2
N.I.	ES6060	Foil Aluminium Adhesive	1
N.I.	1173722008	Sponge Water Tank	1



ITEM	PART N°	DESCRIPTION Ex. 9113069319	QTY
5	1170958118	Fill Valve	1
6	1113171043	Washing Pump Tachometer Asynchronic	1
6A	1113172306	Drain Pump	1
7	1113183022	Microswitch Lamp	1
10	50297618-00/6	Heating Element 230V/2000W Ø32mm	1
11	1113155038	Interference Capacitor	1
11A	1115927012	Capacitor Motor 3µf	1
12A	1325162046	Analogic Pressure Switch ELBI	1
14A	1113146003	Led PCB	1
16	1113337024	Main Switch Auto Off	1
48	1113160004	Temperature Sensor Turbidity Sensor	1
118	1113338311	Dispenser Detergent	1
130	1118535-03/6	Sealing Sleeve Temperature Sensor	1
344	1113150401	Door Lock Assembly	1
506	1113174039	Float Switch Assembly	1
523	1119495016	Pressure Sensor Support	1
567	1173024009	Motor Support Rubber	1
587	973911444035019	Configured Electronic EDW1xxx	1
587A	1113363012	User Interface Board EDW1503--	1
594	4055020-18/6	Collar Lens Complete	1
N.I.	1173704006	Drain Pump Damper Rubber	1
N.I.	1114035106	Harn Main Elec Board Door Ind Lamp 320mm	1
N.I.	1114038019	Wiring Harness Main Elec Board User Interface	1
N.I.	1114040163	Harness Complete	1
N.I.	1170862-31/0	Power Cable AUS/NZ	1
N.I.	1170897308	Terminal Cover	1

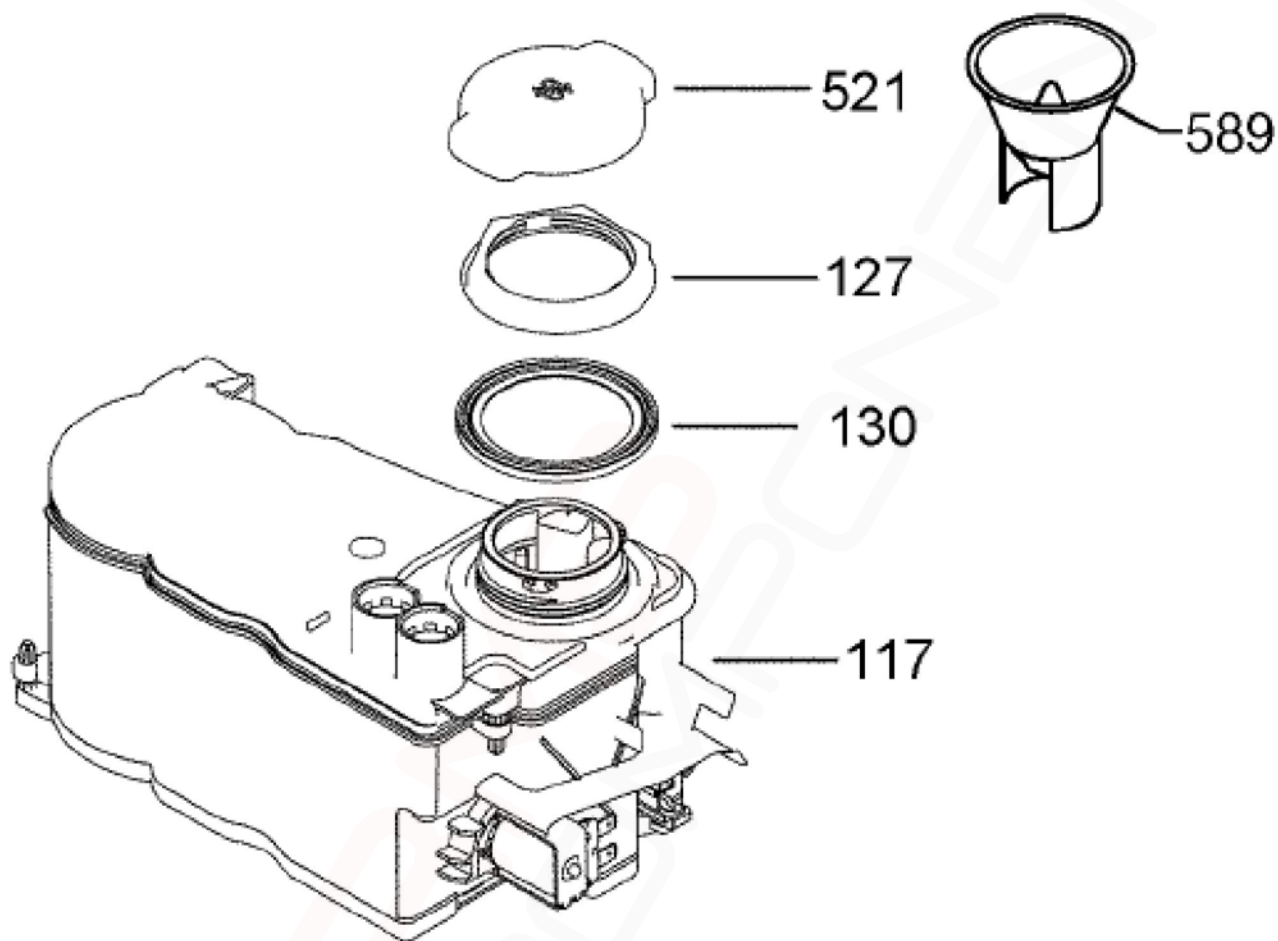


ITEM	PART N°	DESCRIPTION	Ex. 9113090270	QTY
110A	1526815400	Tube Container Cup Fill Valve x 275mm Long		1
111	1528190000	Inlet Hose x 1500mm		1
112	1173680305	Discharge Hose Black x 2230mm Long		1
120	1119161105	Drain Filter Assembly		1
120B	1119209011	Filter Flat		1
127	1119164018	Hose Sump Heater		1
127A	1119165007	Hose Heater Circulation Pump		1
127B	1119155040	Hose Water Softener Sump		1
130	1119186003	O-Ring Sump		1
130A	1523119-01/2	Seal Channel Drainage		1
130C	50659231-00/0	Round Seal Container Cup		-
132	1119158119	Lower Spray Arm Support		1
135A	1119340113	Channel Drainage Grey Complete		1
139	1119208120	Spray Arm Assembly Grey		1
139A	1119159315	Upper Spray Arm Grey		1
140	1170481533	Container Cup Small Electronic		1
145	1119447108	Manifold Outer		1
155	1119151254	Water Sump Assembly		1
160	1113161010	Flow Control Regulator		1
303	1171581026	Basement		1
320	1526272-10/7	Grill Vapour Outlet Dark Grey		1
520	N.P.A.	Flange Discharge Pipe		-
521	N.P.A.	Stopper Drainage Hose		-
N.I.	1529175109	Fixing Clamp Sensor 35.6		1
N.I.	4055034963	Service Kit Electric Cable Sensor		1

NOTE: Total Drain Hose length must not exceed 4 metres.

If a Customer needs to extend their Drain Hose, order the following components:
0571400142 Hose Drain (2M length), 0182200002 Ferrule Hose Joiner (19mm)
and 2 x 0005001019 Clamp.

For extensions less than 2 metres, use ES5323K Kit Hose Flex Drain (1M)



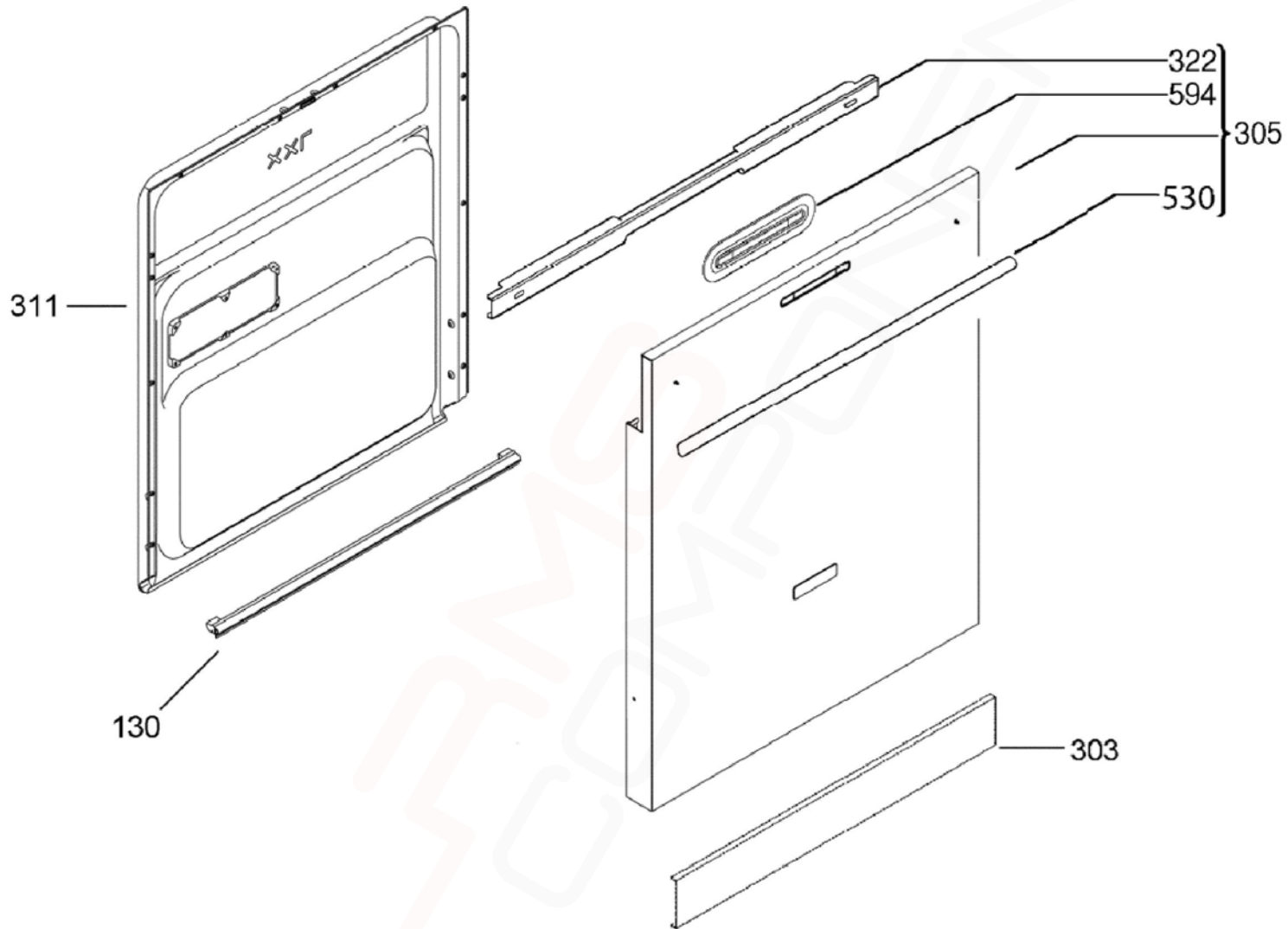
9113063167

MODEL: ESF66814XR

PNC 911444035 01

**EX. VIEW 9113063167
REGENERATION TANK
ASSEMBLY**

ITEM	PART N°	DESCRIPTION	Ex. 9113063167	QTY
117	1119191029	Water Softener Assembly		1
127	1119195103	Nut Water Softener		1
130	1119196010	Gasket Water Softener		1
521	1119192100	Cap Water Softener		1
589	1172107300	Filling Funnel Dishwasher Salt Transparent		1

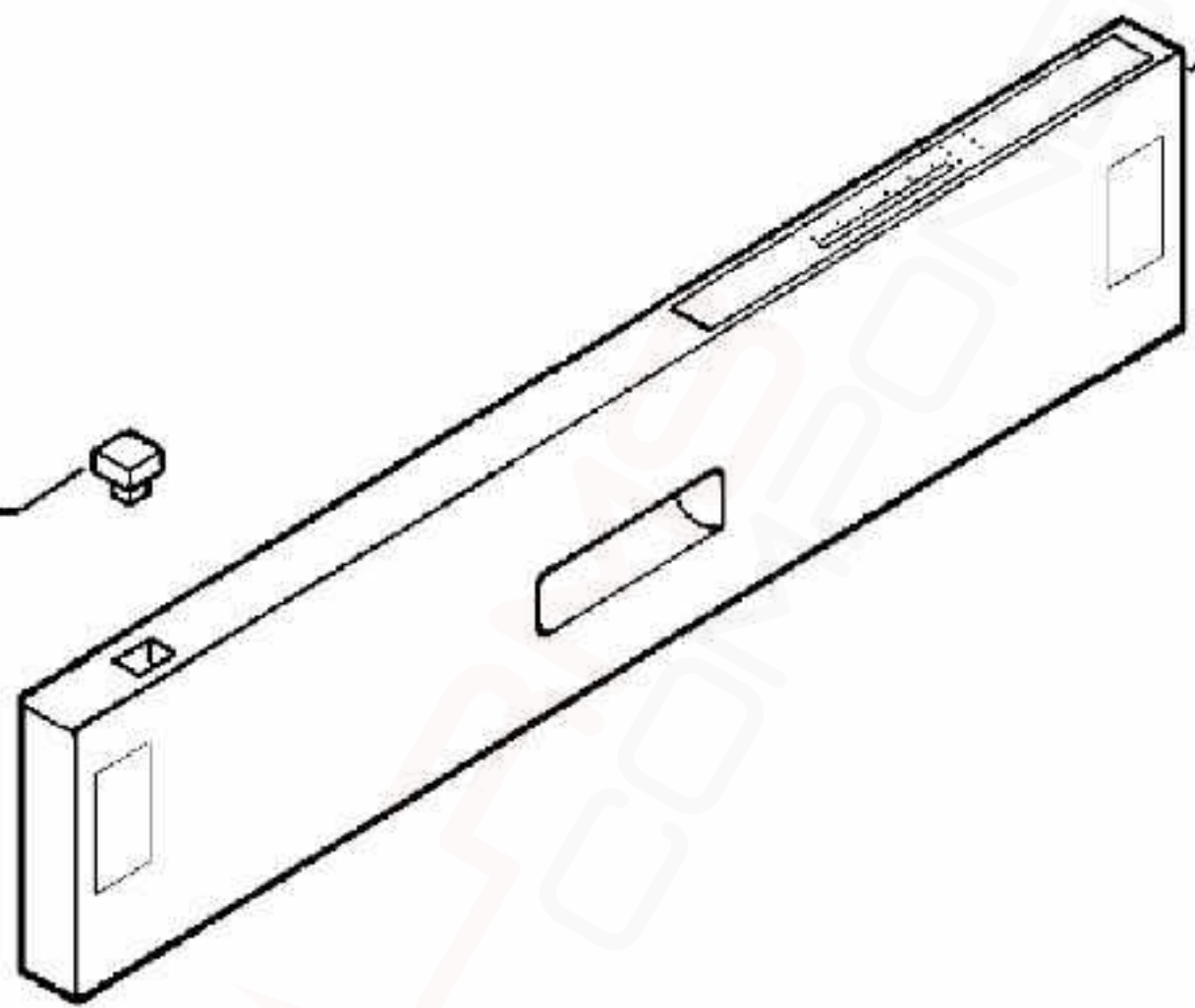


9113090272

MODEL: ESF66814XR**PNC 911444035 01****EX. VIEW 9113090272
DOOR COMPLETE
ASSEMBLY**

ITEM	PARTN°	DESCRIPTION	Ex. 9113090272	QTY
130	1173419001	Door Gasket Bottom Black x 546mm Long		1
303	1173238401	Plinth		1
305	1173356401	Door Complete		1
311	4055071338	Inner Door Complete		1
322	1529313023	Crossbar Door		1
338	3871935-00/7	Adaptor Door Handle Inox		1
530	3874267-01/0	Door Handle High-Grade Steel		1
563	50253377-00/1	Kit Peg Door Panel (2 Pieces)		1
594	1529318014	Indicating Glass Door		1

525



510

9113027625

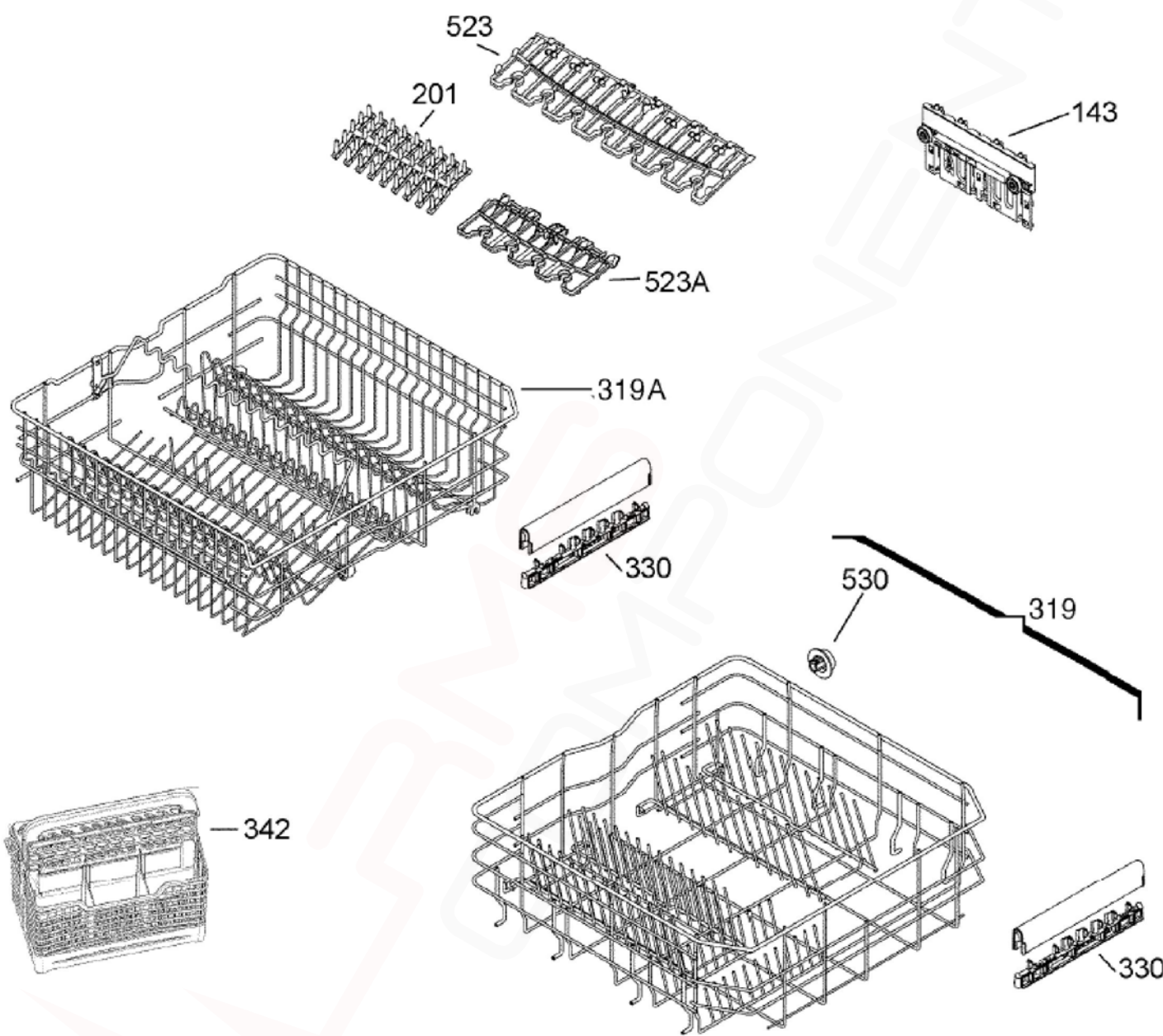
9113027625

MODEL: ESF66814XR

PNC 911444035 01

**EX. VIEW 9113027625
CONTROL PANEL
ASSEMBLY**

ITEM	PART N°	DESCRIPTION	Ex. 9113027625	QTY
510	1173364017	Control Panel Silkscreened Complete		1
525	1171114-10/9	ON/OFF Button		1



9113085790

MODEL: ESF66814XR

PNC 911444035 01

**EX. VIEW 9113085790
BASKET ASSEMBLY**

ITEM	PART N°	DESCRIPTION	Ex. 9113085790	QTY
143	1172471235	Adjustment Right		1
	1172471334	Adjustment Left		1
201	1119349205	Spikes Rubber		4
319	1171745027	Dishwasher Basket Bottom		1
319A	1119234373	Dishwasher Basket Upper		1
330	4055072120	Handle Complete		2
342	1119343109	Cutlery Basket Grey		1
523	1172468116	Support Cup Grey Long		1
523A	1172467118	Support Cup Grey Short		2
530	4055072138	Wheel Kit (8 Pieces)		1